

US00D570735S

(12) **United States Design Patent**  
**Ogihara**

(10) **Patent No.:** **US D570,735 S**  
(45) **Date of Patent:** **\*\* Jun. 10, 2008**

(54) **ENGINE CAR**

7,316,286 B2\* 1/2008 Hillary ..... 180/291

(75) Inventor: **Nobuaki Ogihara**, Saitama (JP)

\* cited by examiner

(73) Assignee: **CCP Co., Ltd.**, Saitama (JP)

*Primary Examiner*—Melody N. Brown  
(74) *Attorney, Agent, or Firm*—Keusey, Tutunjian & Bitetto, P.C.

(\*\*) Term: **14 Years**

(21) Appl. No.: **29/272,771**

(57) **CLAIM**

(22) Filed: **Feb. 16, 2007**

The ornamental design for an engine car, as shown and described.

(51) **LOC (8) Cl.** ..... **12-08**

(52) **U.S. Cl.** ..... **D12/82; D15/3; D12/87**

(58) **Field of Classification Search** ..... D12/82,  
D12/90-92, 86-88; D21/424, 433; D15/1,  
D15/3; 180/291; 280/181.1, 181.5  
See application file for complete search history.

**DESCRIPTION**

FIG. 1 is a perspective view of the engine car showing my new design;

FIG. 2 is a top view thereof;

FIG. 3 is a bottom view thereof;

FIG. 4 is front view thereof;

FIG. 5 is a rear view thereof;

FIG. 6 is a right side view thereof; and,

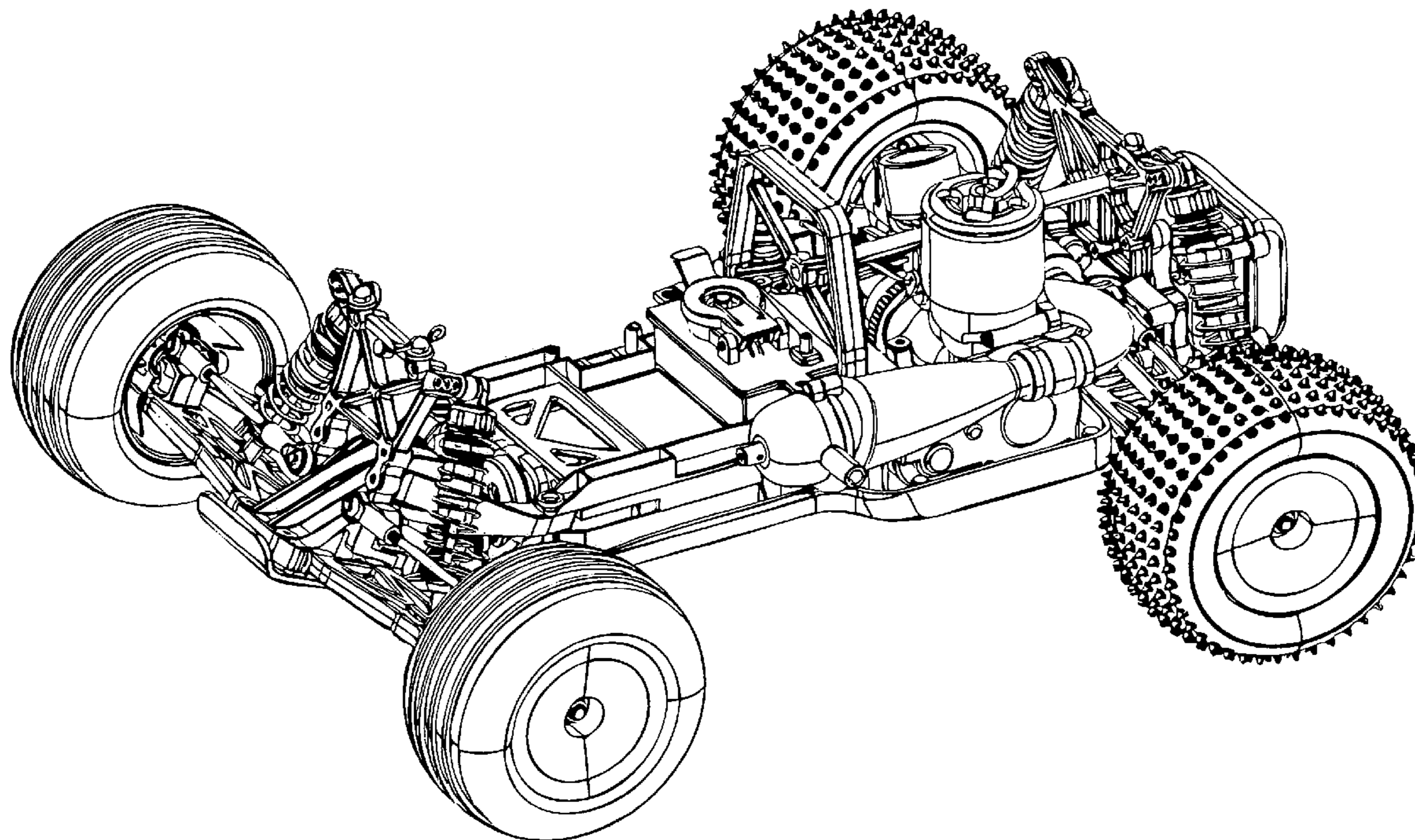
FIG. 7 is a left side view thereof.

(56) **References Cited**

**U.S. PATENT DOCUMENTS**

D247,430 S *	3/1978	Walker et al. ....	D12/88
D299,705 S *	2/1989	Carpanelli et al. ....	D12/88
D500,707 S *	1/2005	Lu .....	D12/87
D545,721 S *	7/2007	Hacker et al. ....	D12/1
7,281,600 B2 *	10/2007	Chernoff et al. ....	180/291

**1 Claim, 7 Drawing Sheets**



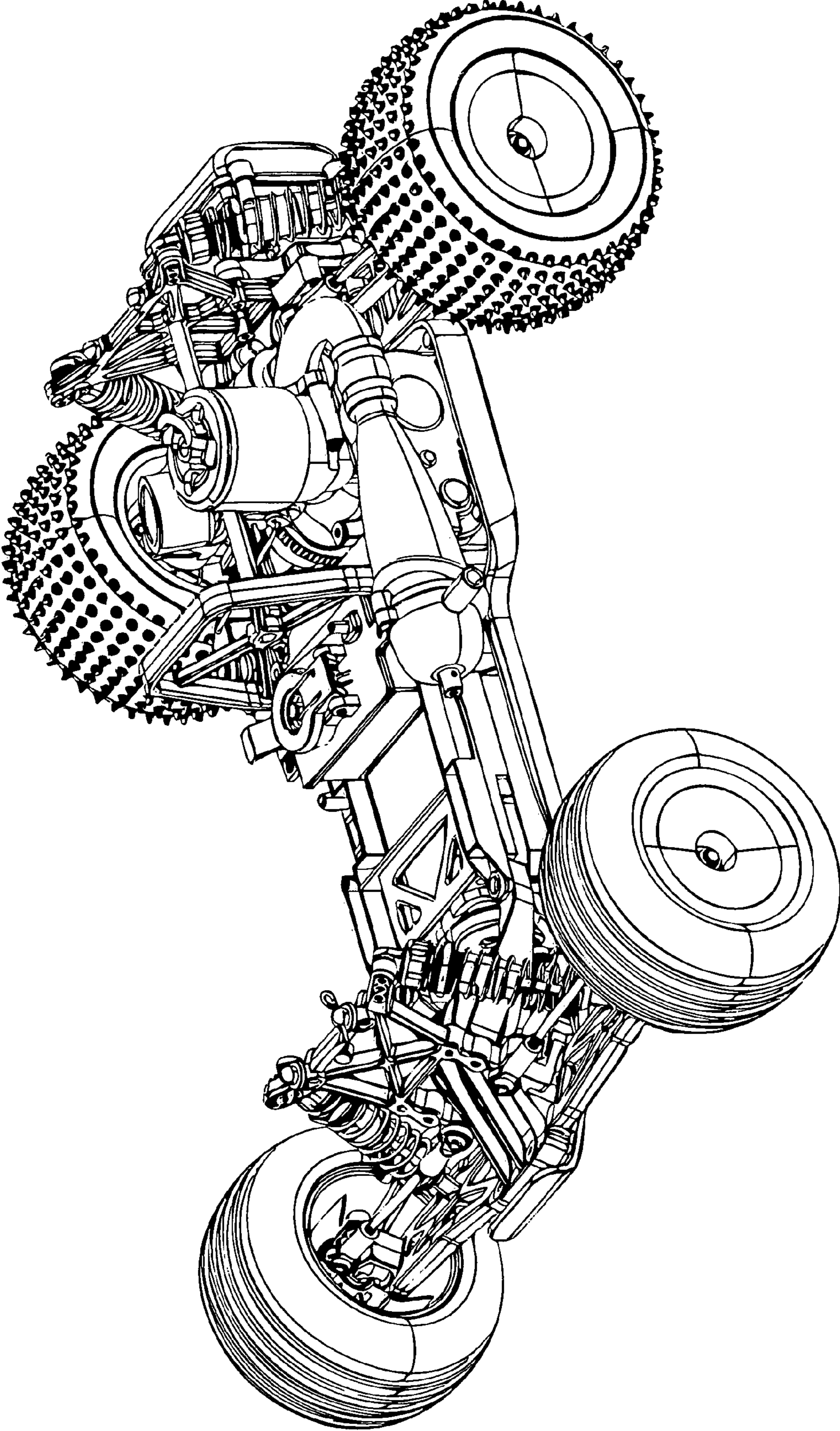


FIG. 1

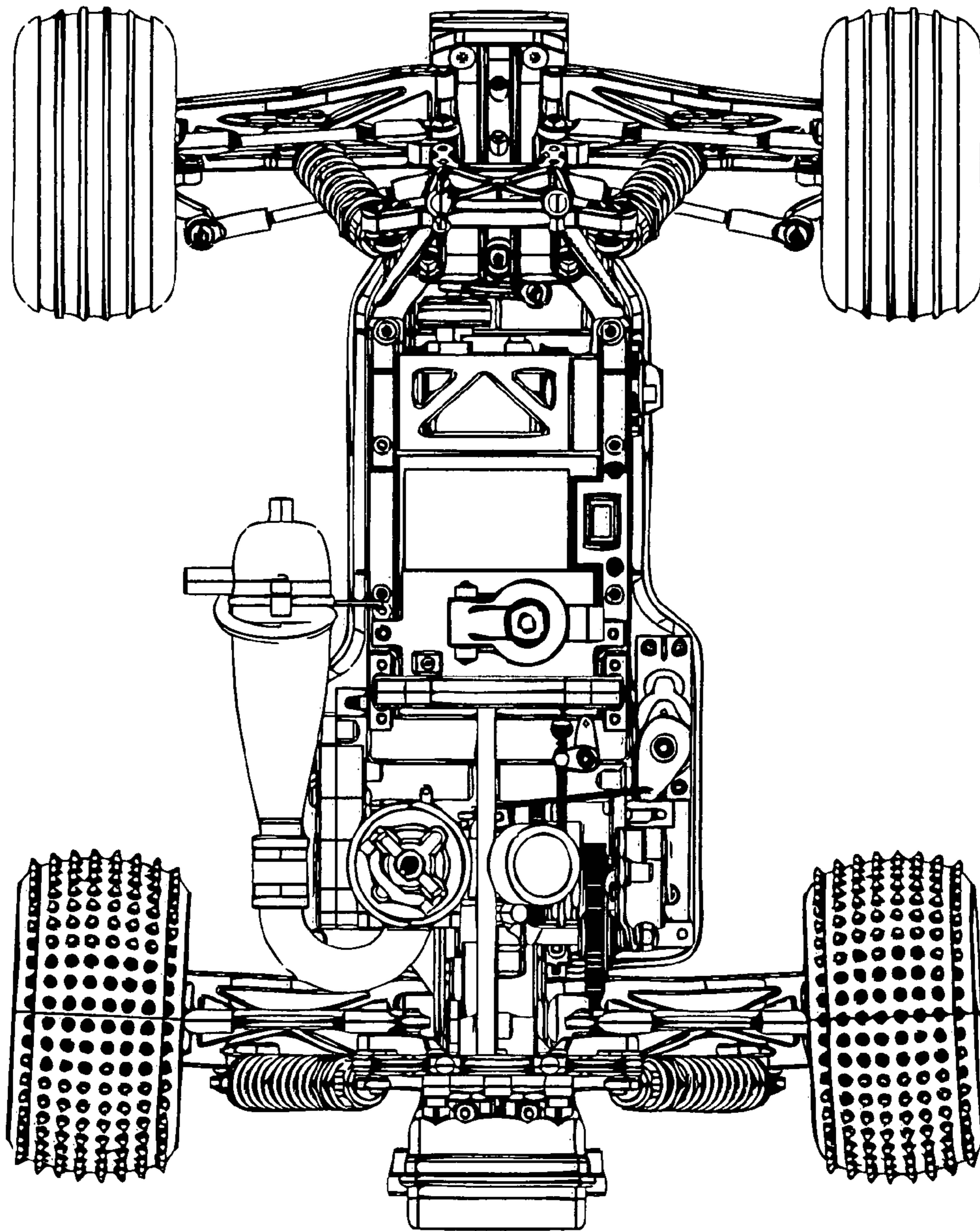


FIG. 2

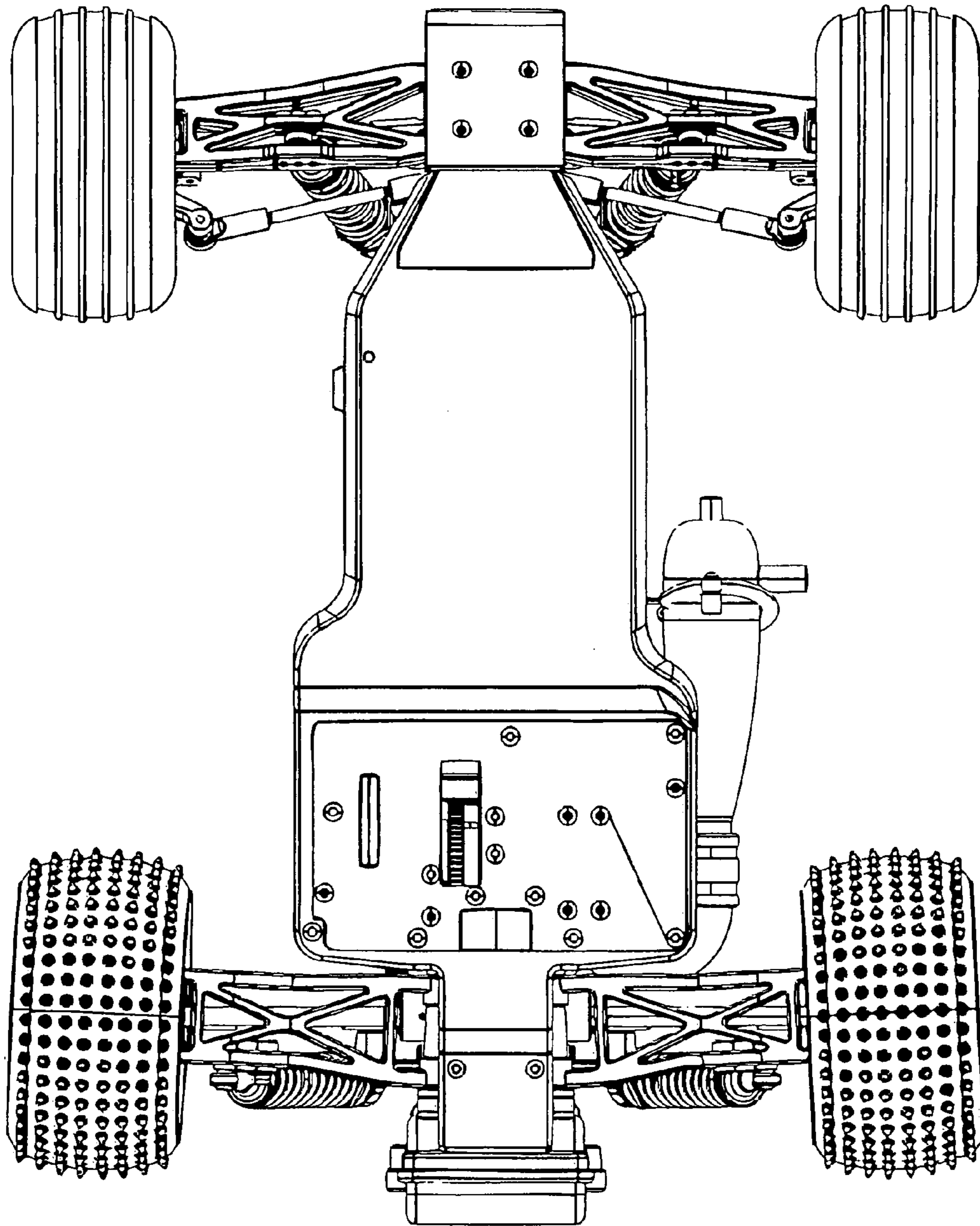


FIG. 3

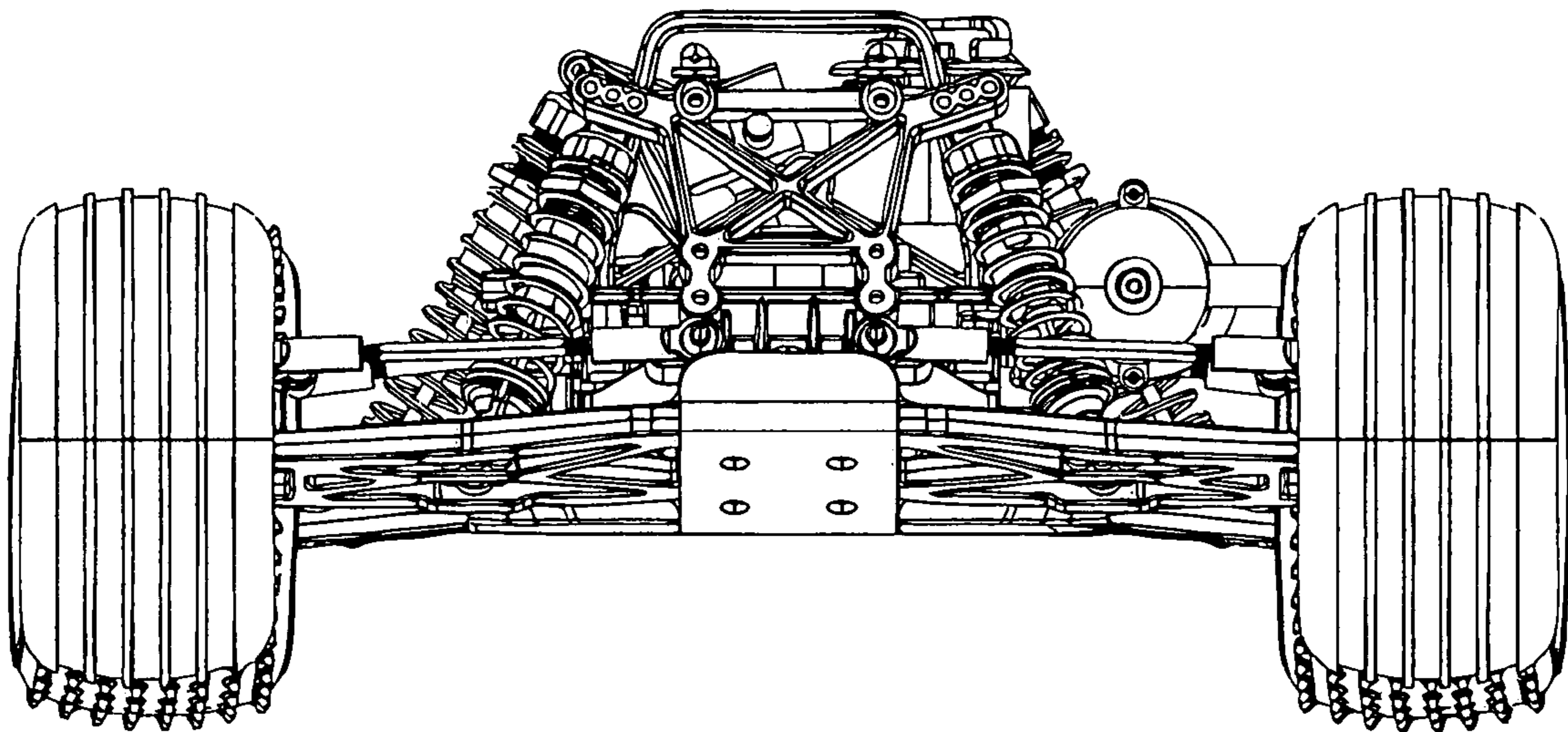


FIG. 4

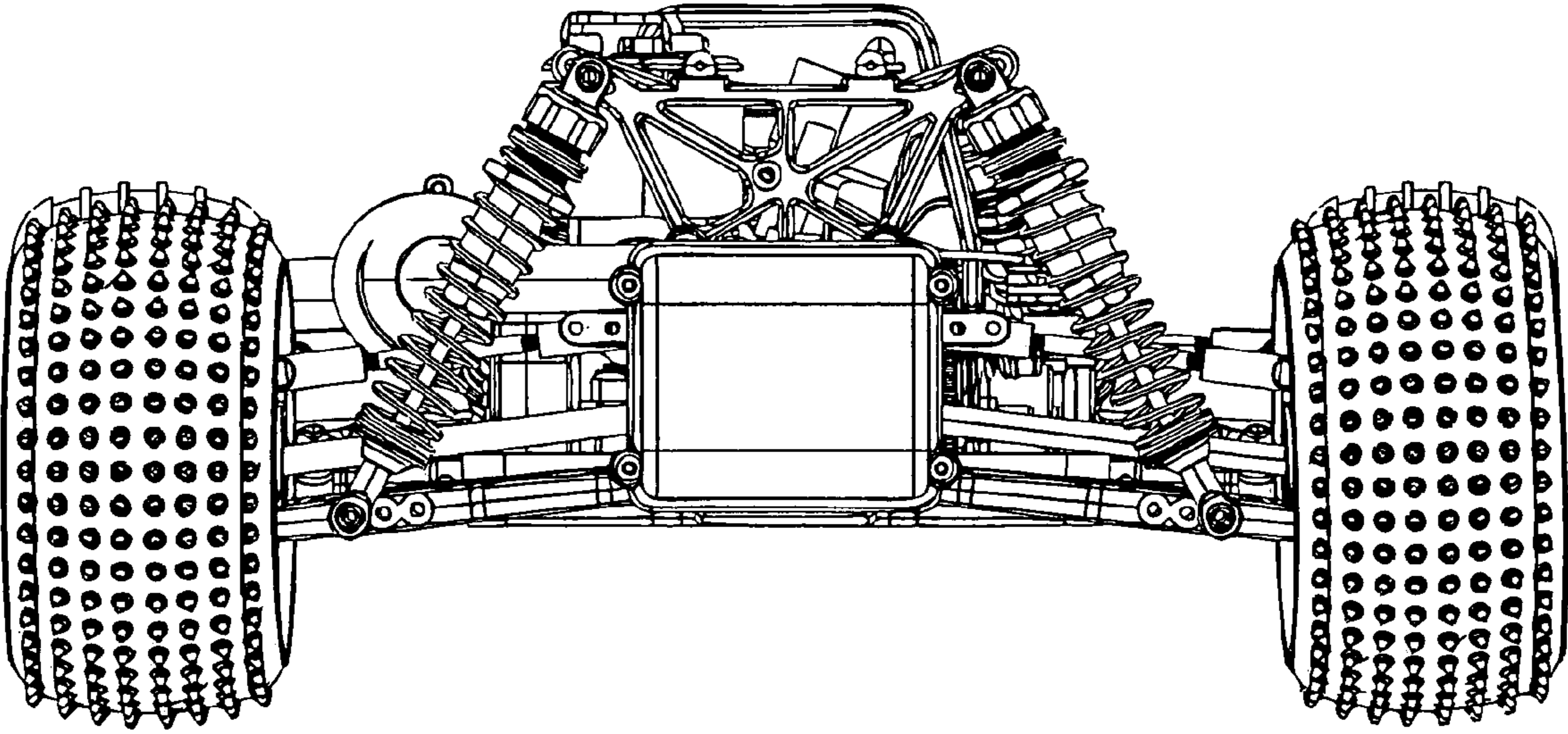


FIG. 5

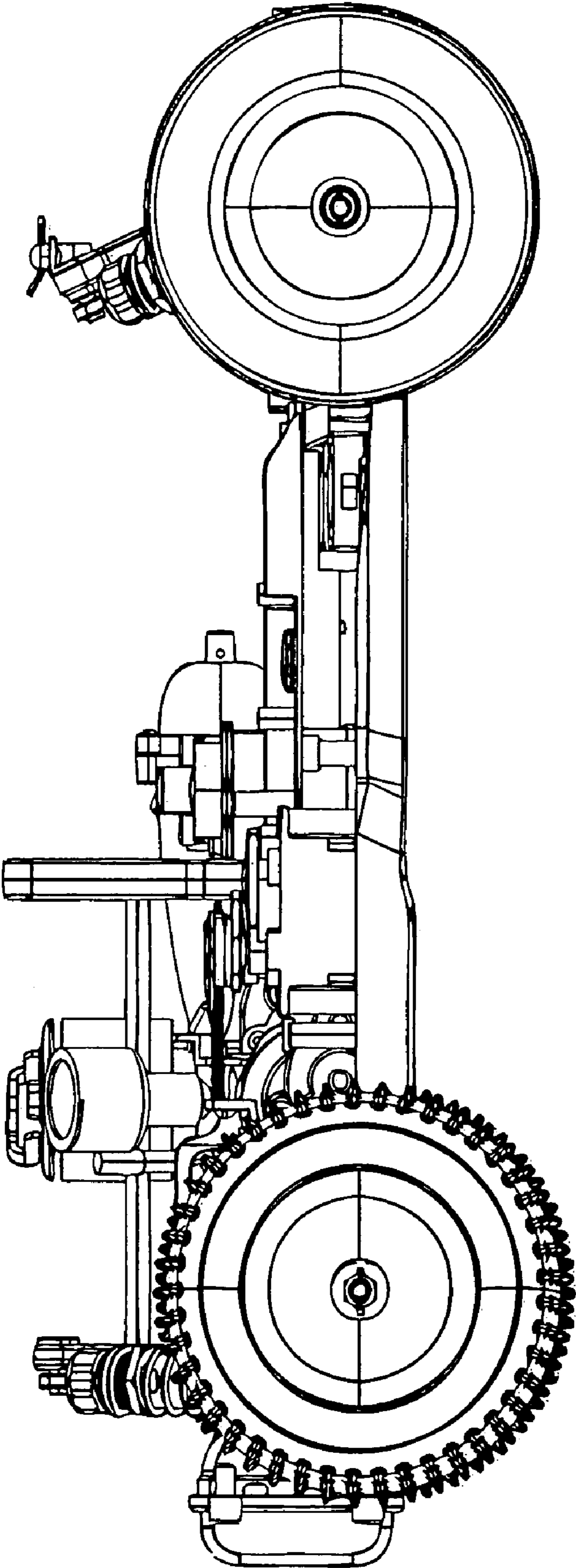


FIG. 6

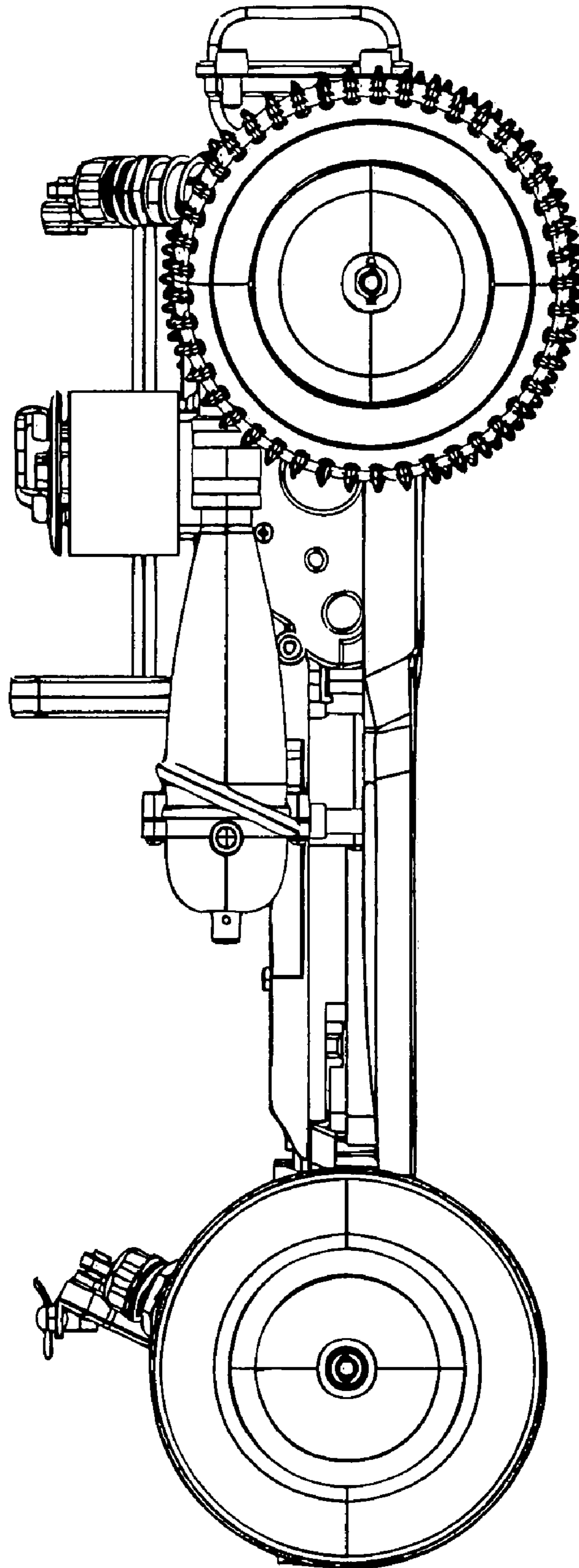


FIG. 7