



US00D570722S

(12) **United States Design Patent**
Taylor

(10) **Patent No.:** **US D570,722 S**

(45) **Date of Patent:** **** Jun. 10, 2008**

(54) **BEACON**

(75) Inventor: **Barry Taylor**, Uxbridge (GB)

(73) Assignee: **Nicotech Limited**, Kings Langley,
Hertfordshire (GB)

(**) Term: **14 Years**

(21) Appl. No.: **29/272,214**

(22) Filed: **Feb. 2, 2007**

(51) **LOC (8) Cl.** **10-05**

(52) **U.S. Cl.** **D10/114**

(58) **Field of Classification Search** D10/109,
D10/111, 114; 340/815, 432, 908.1, 815.03,
340/760, 761, 767, 782, 471, 473, 815.45,
340/463; 362/311, 373

See application file for complete search history.

(56) **References Cited**

U.S. PATENT DOCUMENTS

3,731,082	A *	5/1973	Blaylock	362/263
3,757,108	A *	9/1973	Burland	362/257
D245,447	S *	8/1977	Brudy et al.	D10/121
D261,048	S *	9/1981	Price	D26/24
D267,156	S *	12/1982	Phelps	D10/114
5,929,788	A *	7/1999	Vukosic	340/908.1
D513,477	S *	1/2006	Heftman	D10/111
6,991,351	B1 *	1/2006	Petrick	362/373
D544,805	S *	6/2007	Corrigan et al.	D10/111

2002/0080023	A1 *	6/2002	DeMarco et al.	340/463
2004/0208014	A1 *	10/2004	Huang	362/493
2005/0110649	A1 *	5/2005	Fredericks et al.	340/815.45
2005/0281039	A1 *	12/2005	Yeh	362/396
2006/0132323	A1 *	6/2006	Grady, Jr.	340/815.45
2007/0189013	A1 *	8/2007	Ford	362/311

* cited by examiner

Primary Examiner—Robert M. Spear

Assistant Examiner—George D Kirschbaum

(74) *Attorney, Agent, or Firm*—Davis Bujold & Daniels,
P.L.L.C.

(57) **CLAIM**

I claim the ornamental design for a beacon, as shown and described.

DESCRIPTION

FIG. 1 is a perspective view of a beacon embodying my new design;

FIG. 2 is a front elevational view thereof;

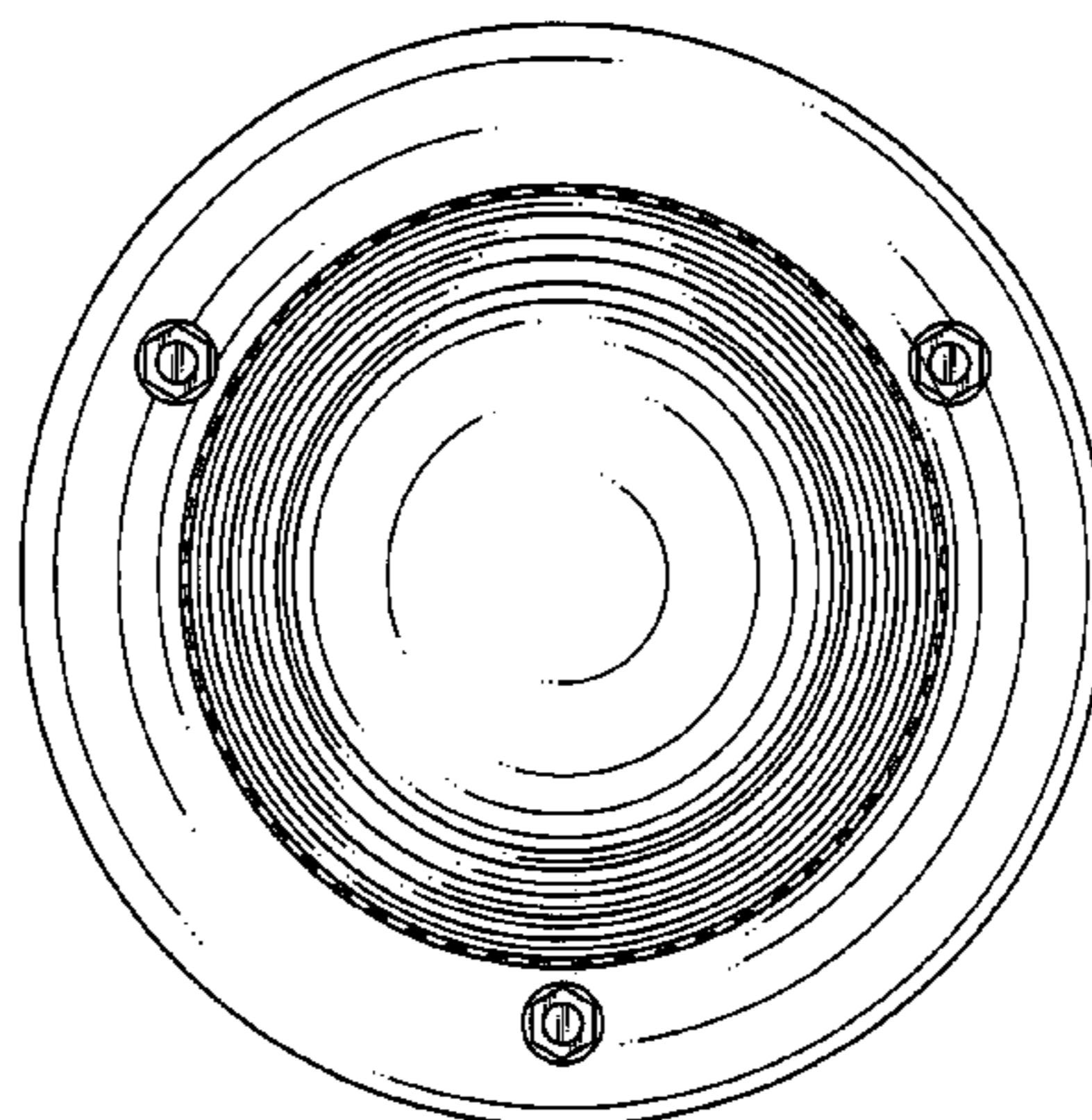
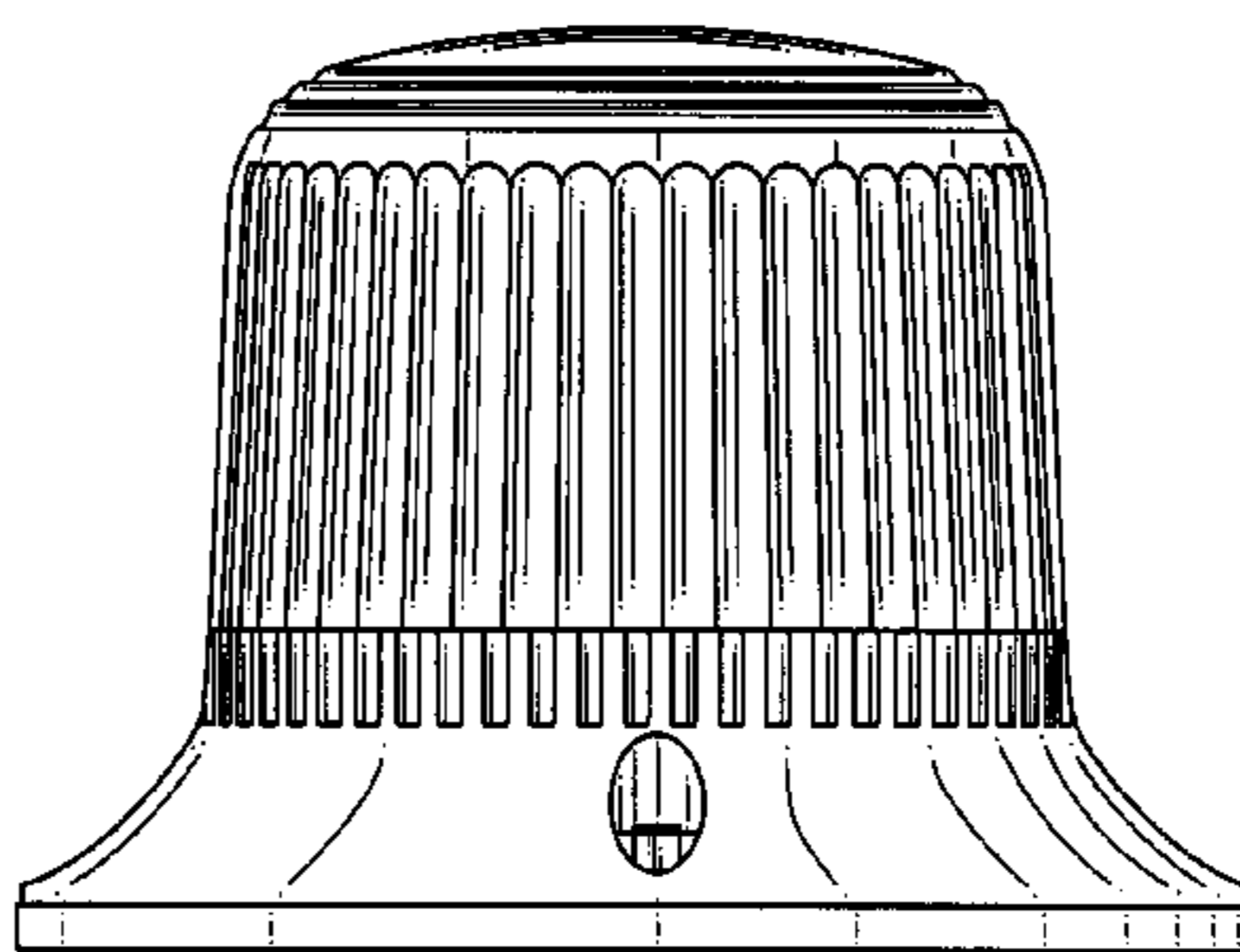
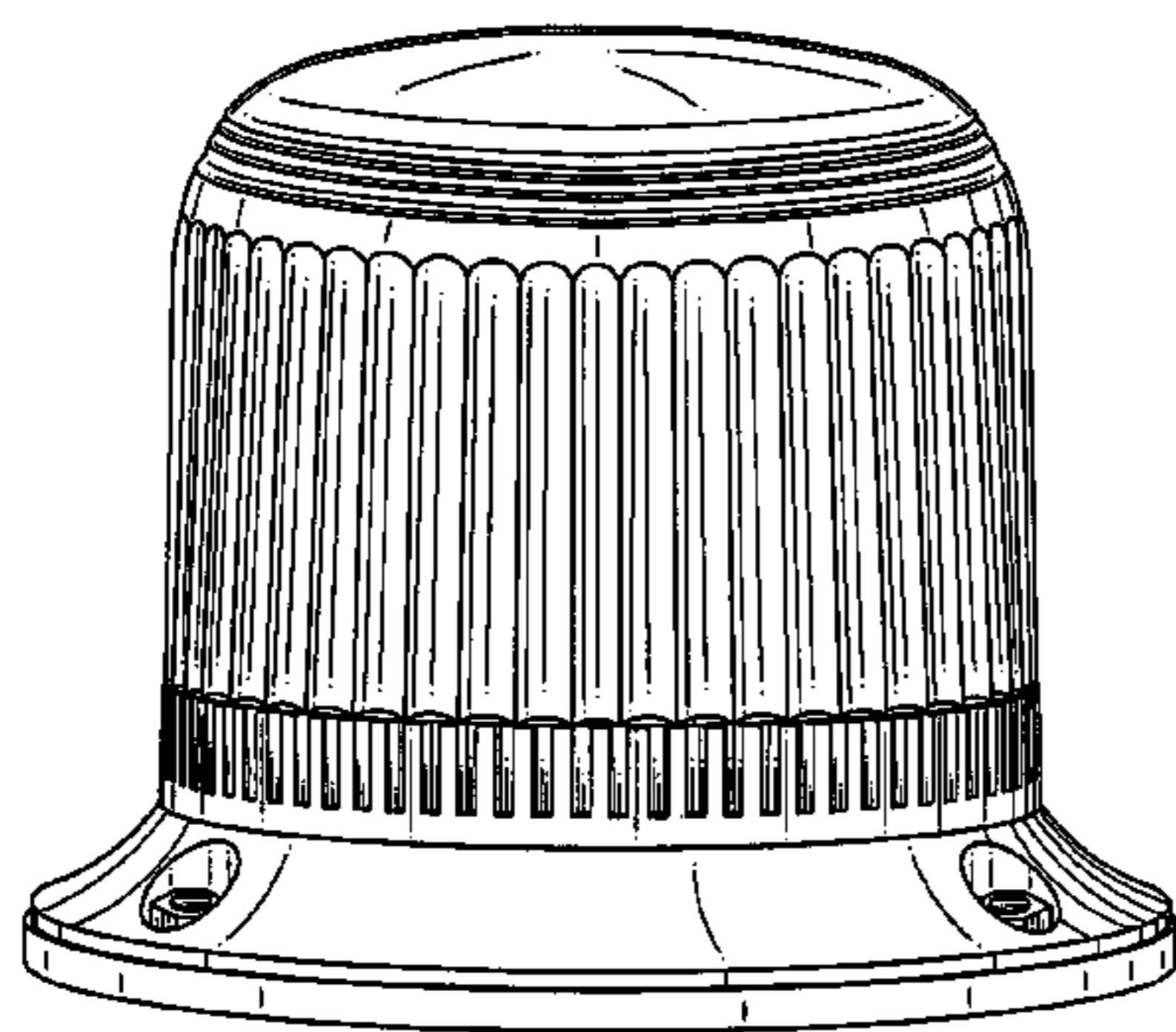
FIG. 3 is a rear elevational view thereof;

FIG. 4 is a right side elevational view of FIG. 2, and the left side elevational view being a mirror image thereof; and,

FIG. 5 is a top plan view of FIG. 1.

The bottom view of the beacon does not form any part of the claimed design.

1 Claim, 3 Drawing Sheets



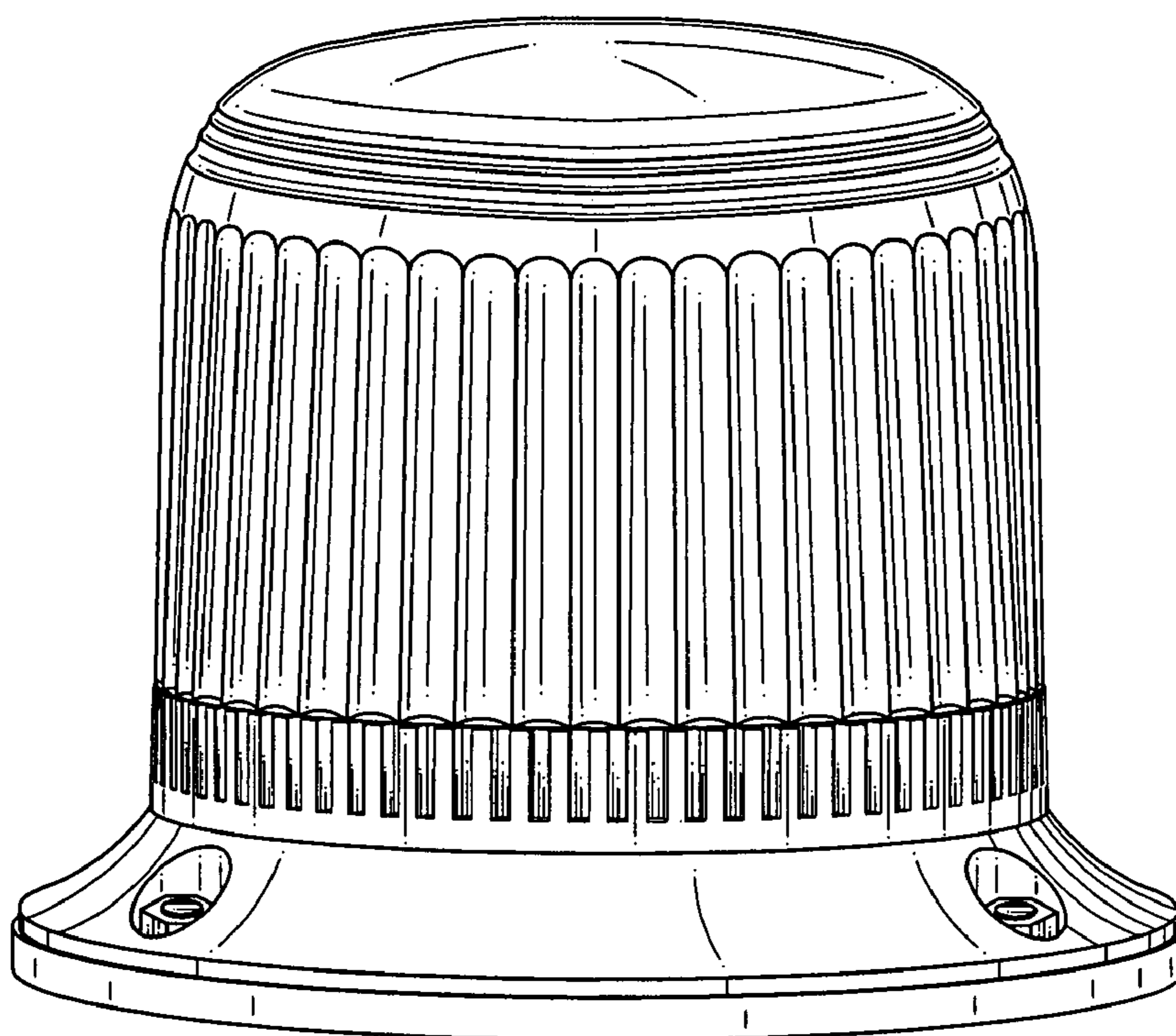


FIG. 1

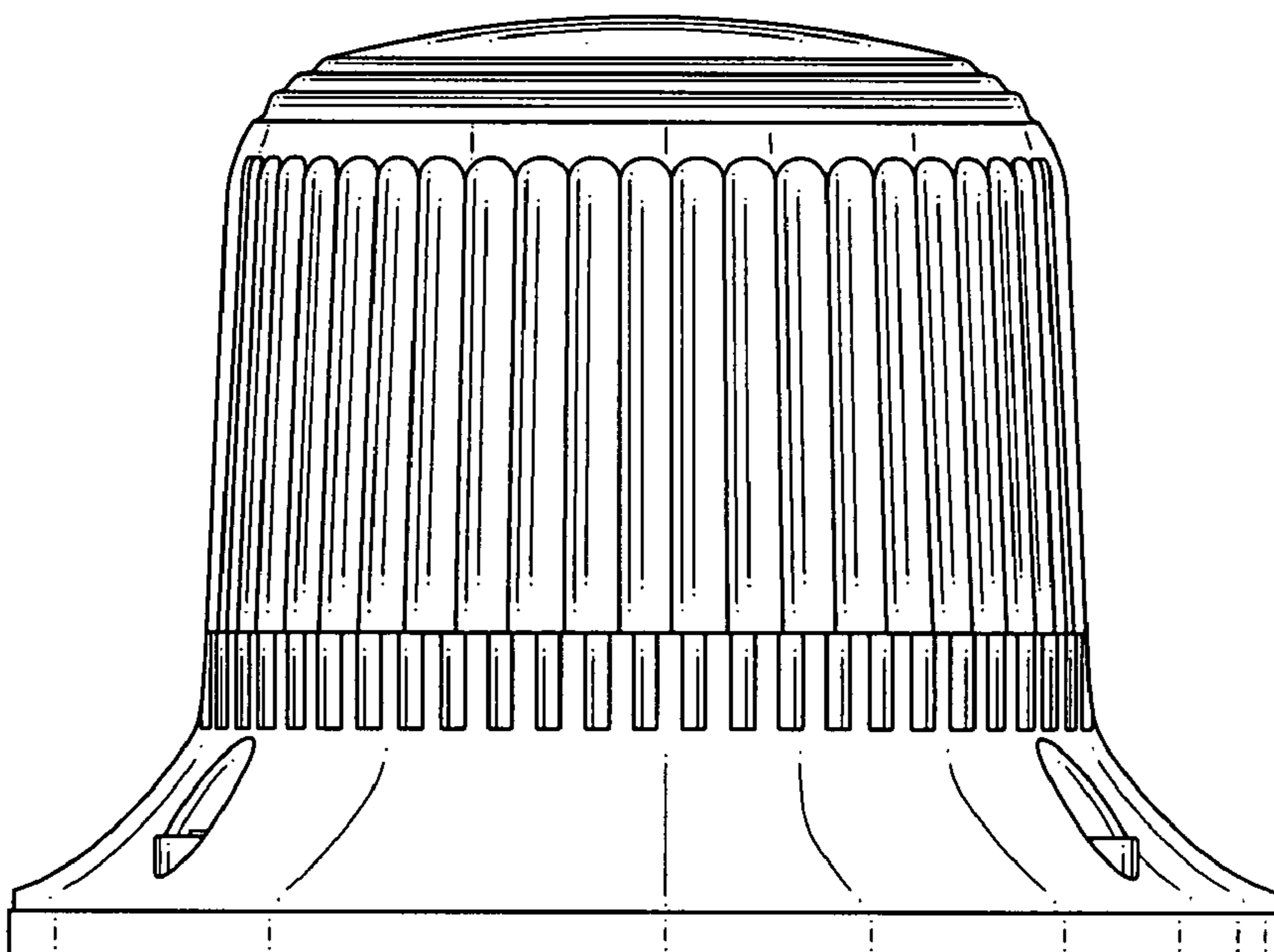


FIG. 2

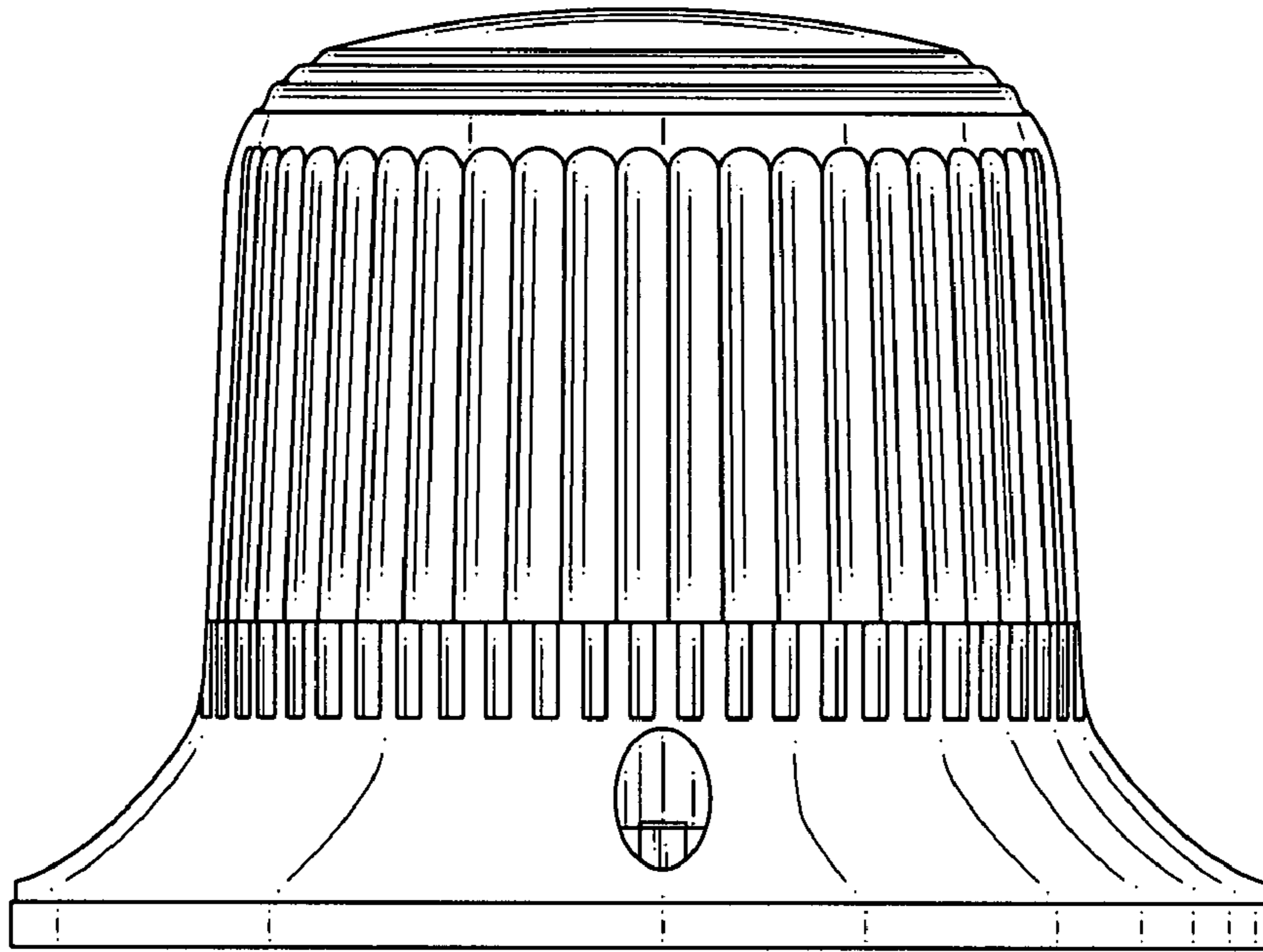


FIG. 3

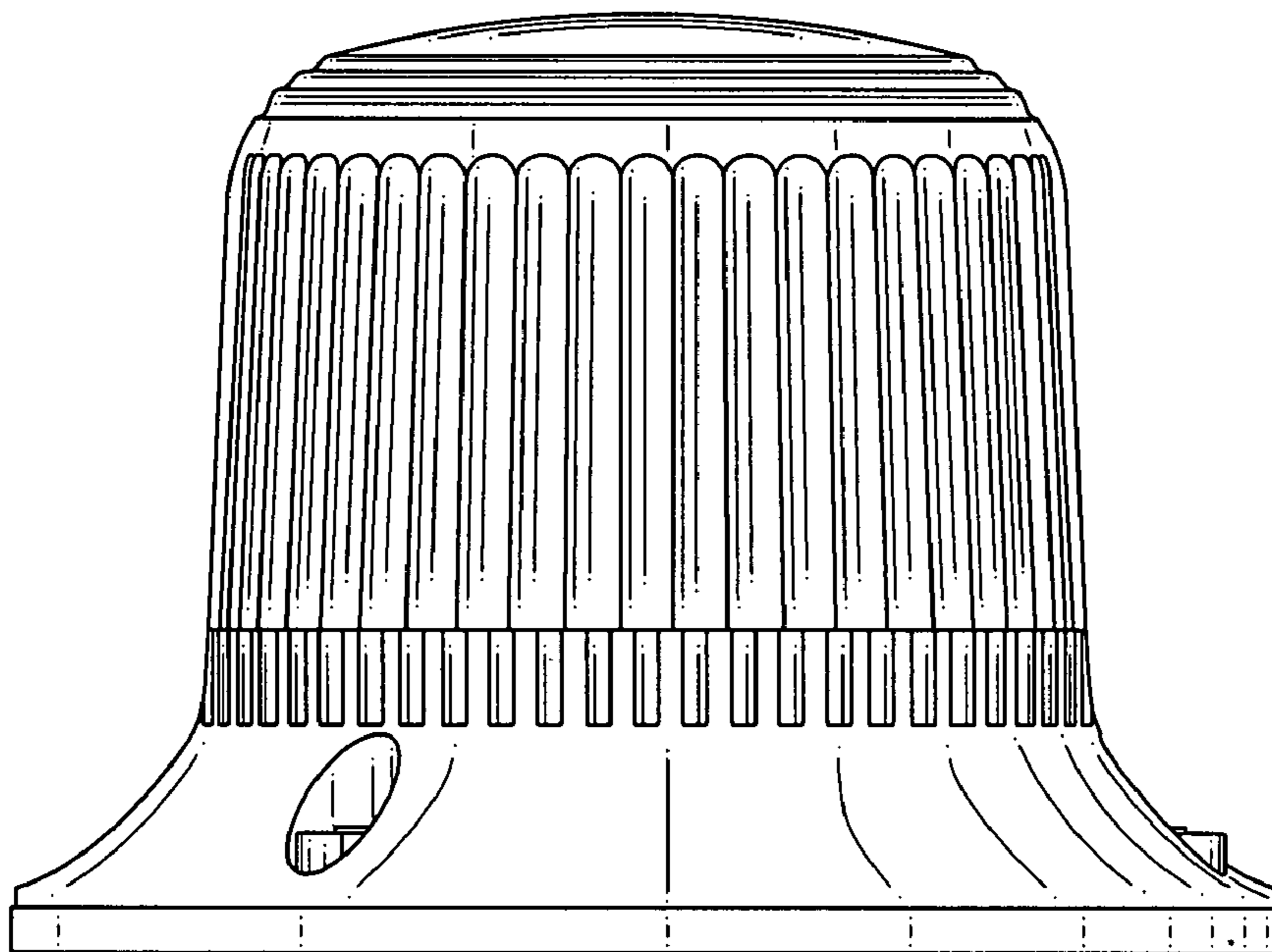


FIG. 4

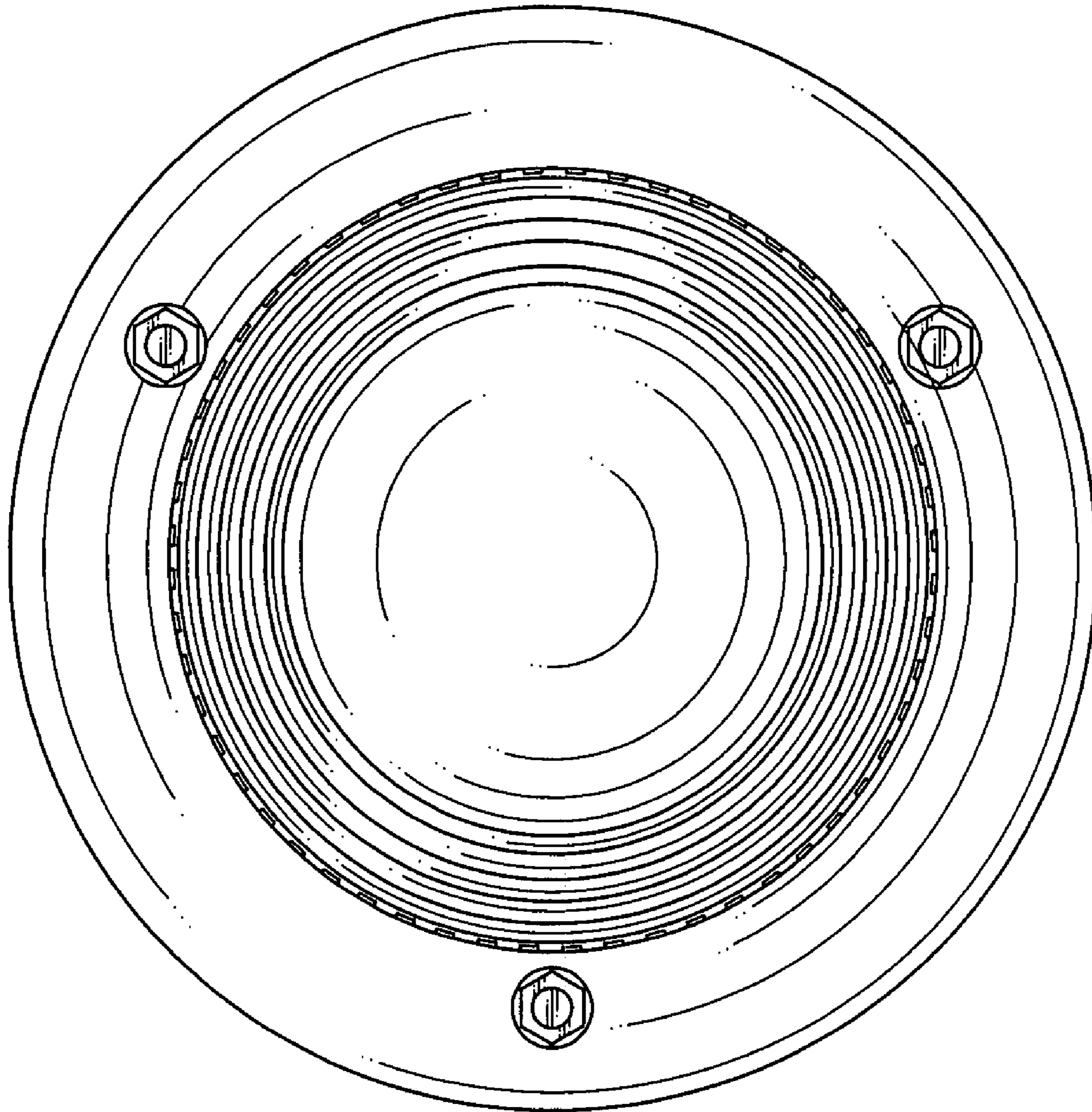


FIG.5