



US00D570721S

(12) **United States Design Patent**  
**Lin**

(10) **Patent No.:** **US D570,721 S**

(45) **Date of Patent:** **\*\* Jun. 10, 2008**

(54) **BALANCE FOR TEACHING**

(75) Inventor: **Wen-Yuan Lin**, Sanala Township,  
Taipei County (TW)

(73) Assignee: **Youth Toy Enterprise Co., Ltd**, Taipei  
County (TW)

(\*\*) Term: **14 Years**

(21) Appl. No.: **29/285,355**

(22) Filed: **Mar. 28, 2007**

(51) **LOC (8) Cl.** ..... **10-04**

(52) **U.S. Cl.** ..... **D10/90**

(58) **Field of Classification Search** ..... D10/90;  
177/190-200, 238-243, 246-252; 434/194  
See application file for complete search history.

(56) **References Cited**

**U.S. PATENT DOCUMENTS**

3,502,163 A \* 3/1970 Stehl ..... 177/126

\* cited by examiner

*Primary Examiner*—Antoine D Davis

(74) *Attorney, Agent, or Firm*—Daniel B. Schein, Esq.

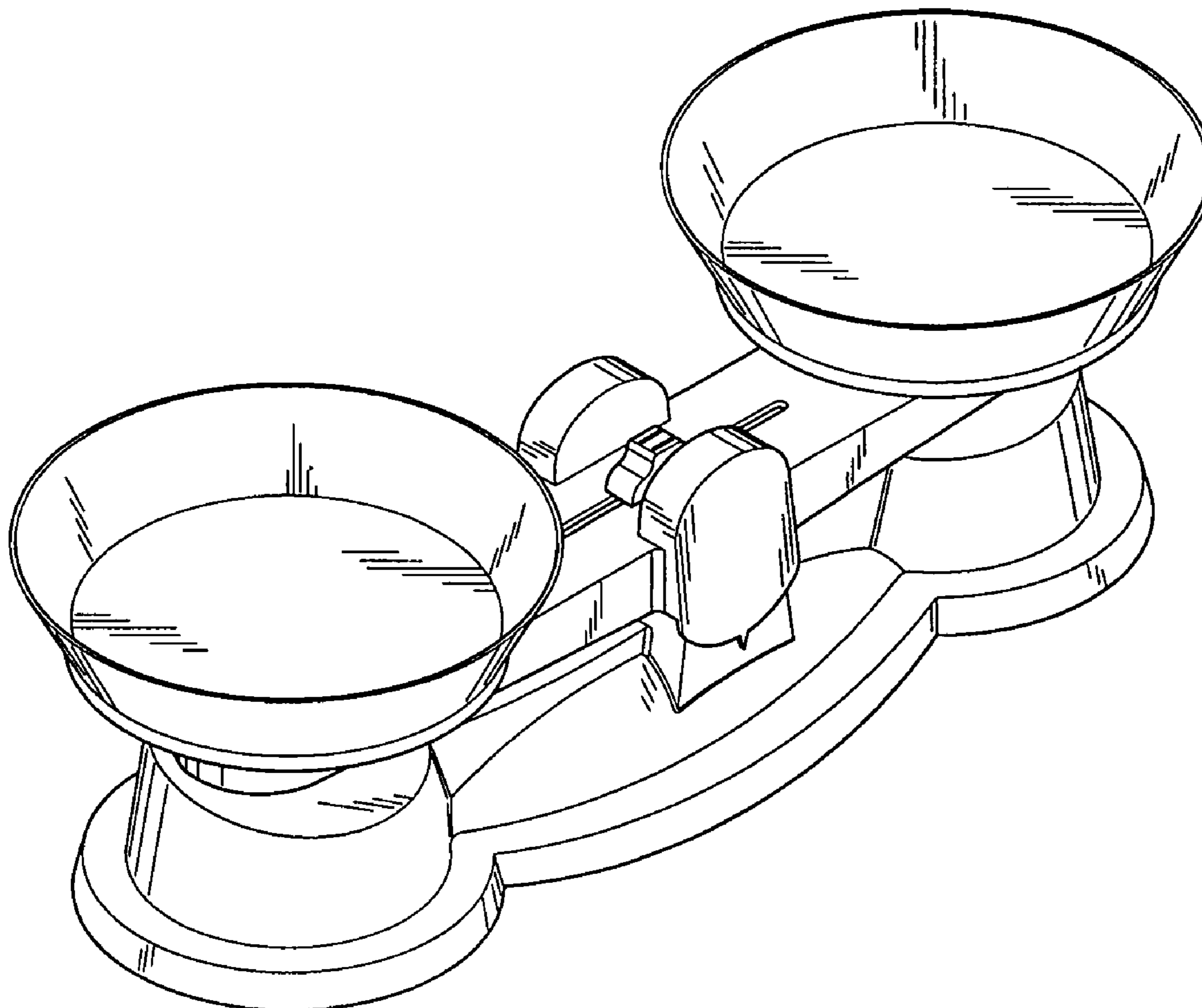
(57) **CLAIM**

The ornamental design for a balance for teaching, as shown  
and described.

**DESCRIPTION**

FIG. 1 is a perspective view of a balance for teaching;  
FIG. 2 is a front elevation thereof;  
FIG. 3 is a rear elevation thereof;  
FIG. 4 is a left side elevation thereof;  
FIG. 5 is a right side elevation thereof;  
FIG. 6 is a top plan view thereof; and,  
FIG. 7 is a bottom view thereof.

**1 Claim, 4 Drawing Sheets**



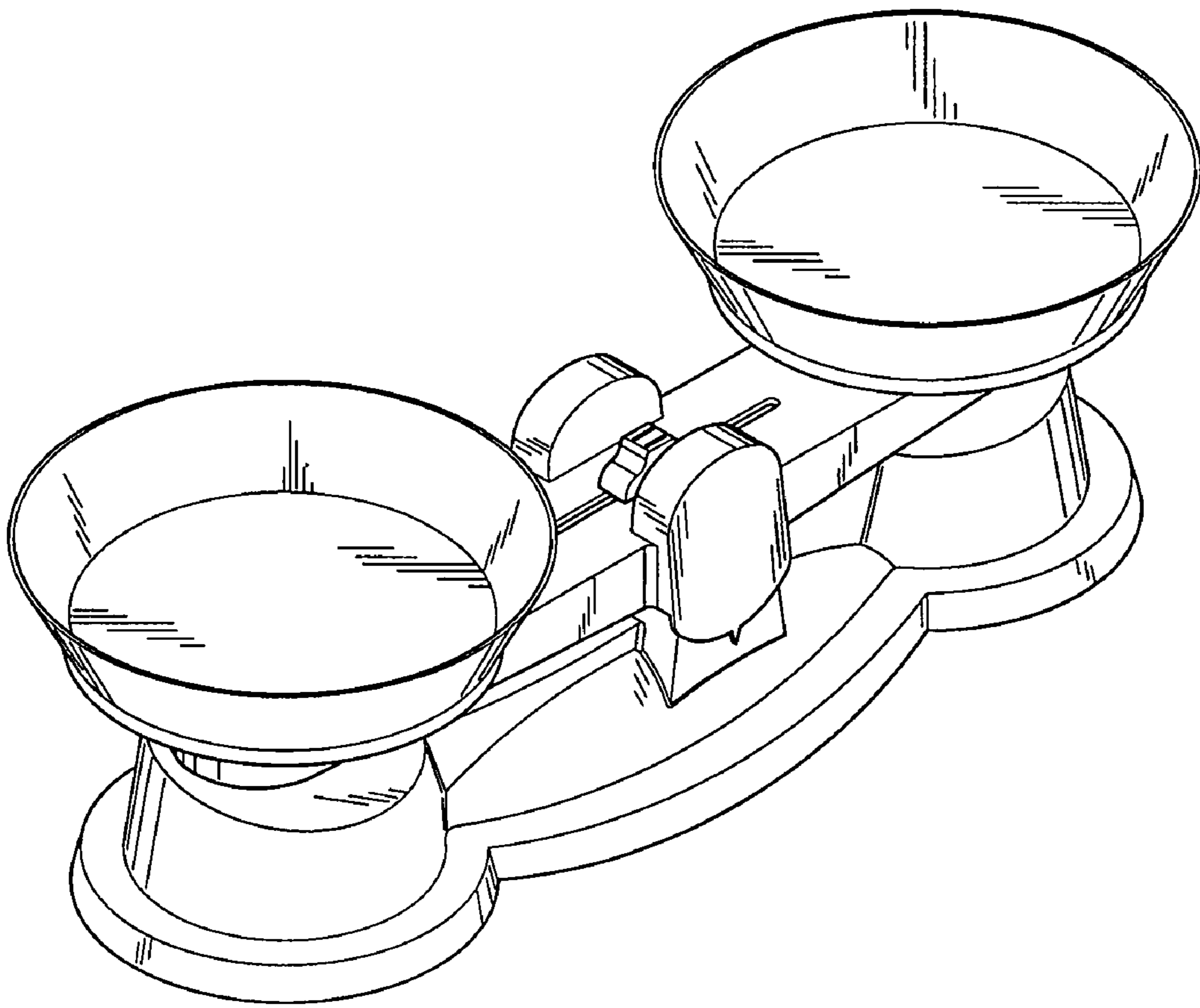


Fig. 1

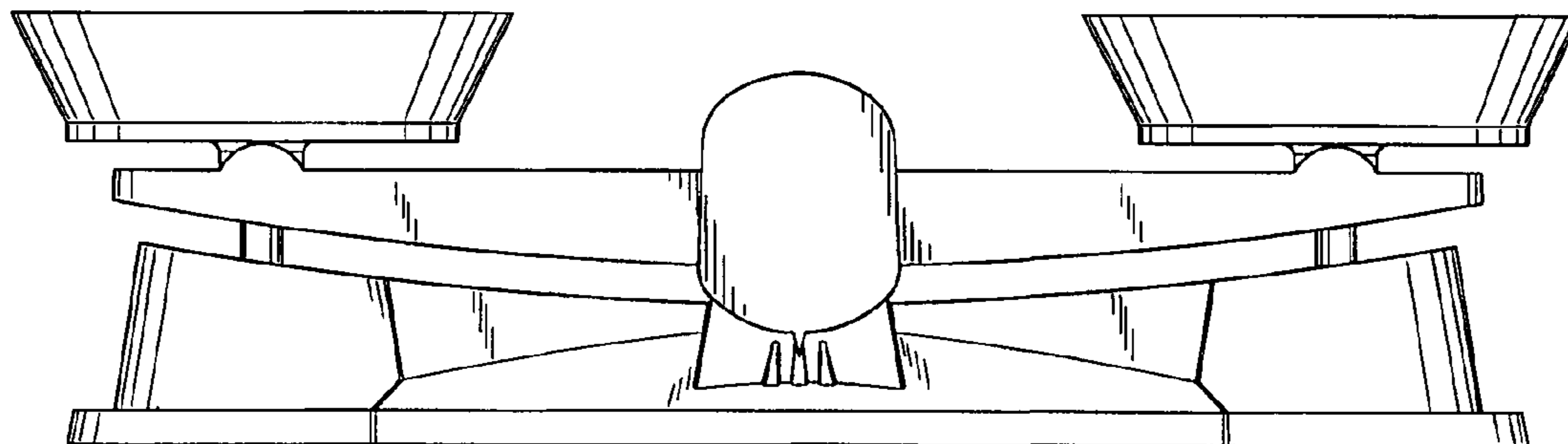


Fig. 2

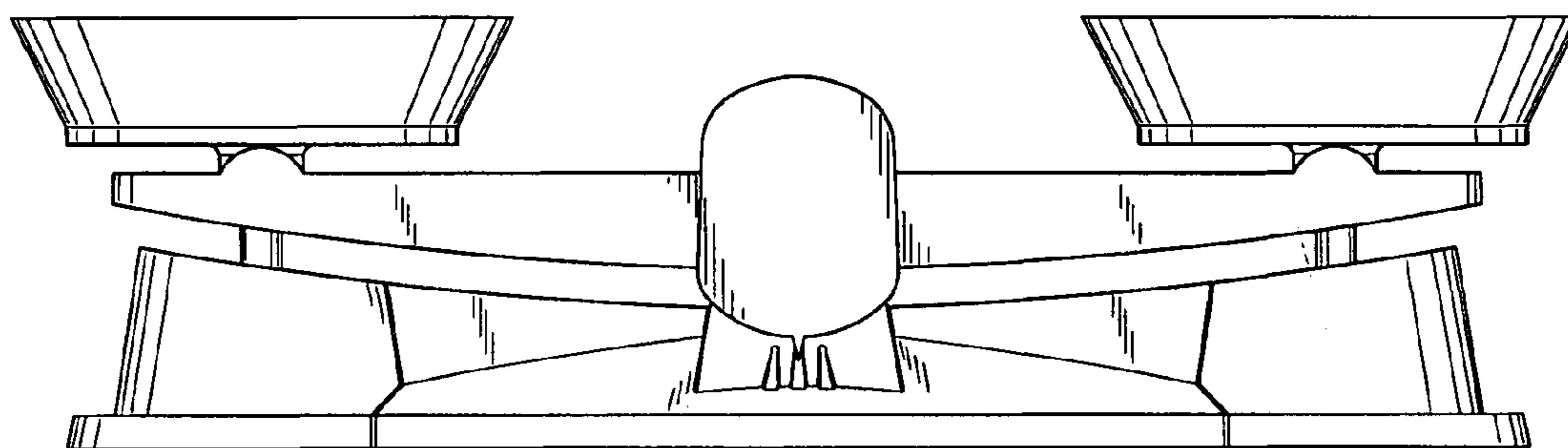


Fig. 3

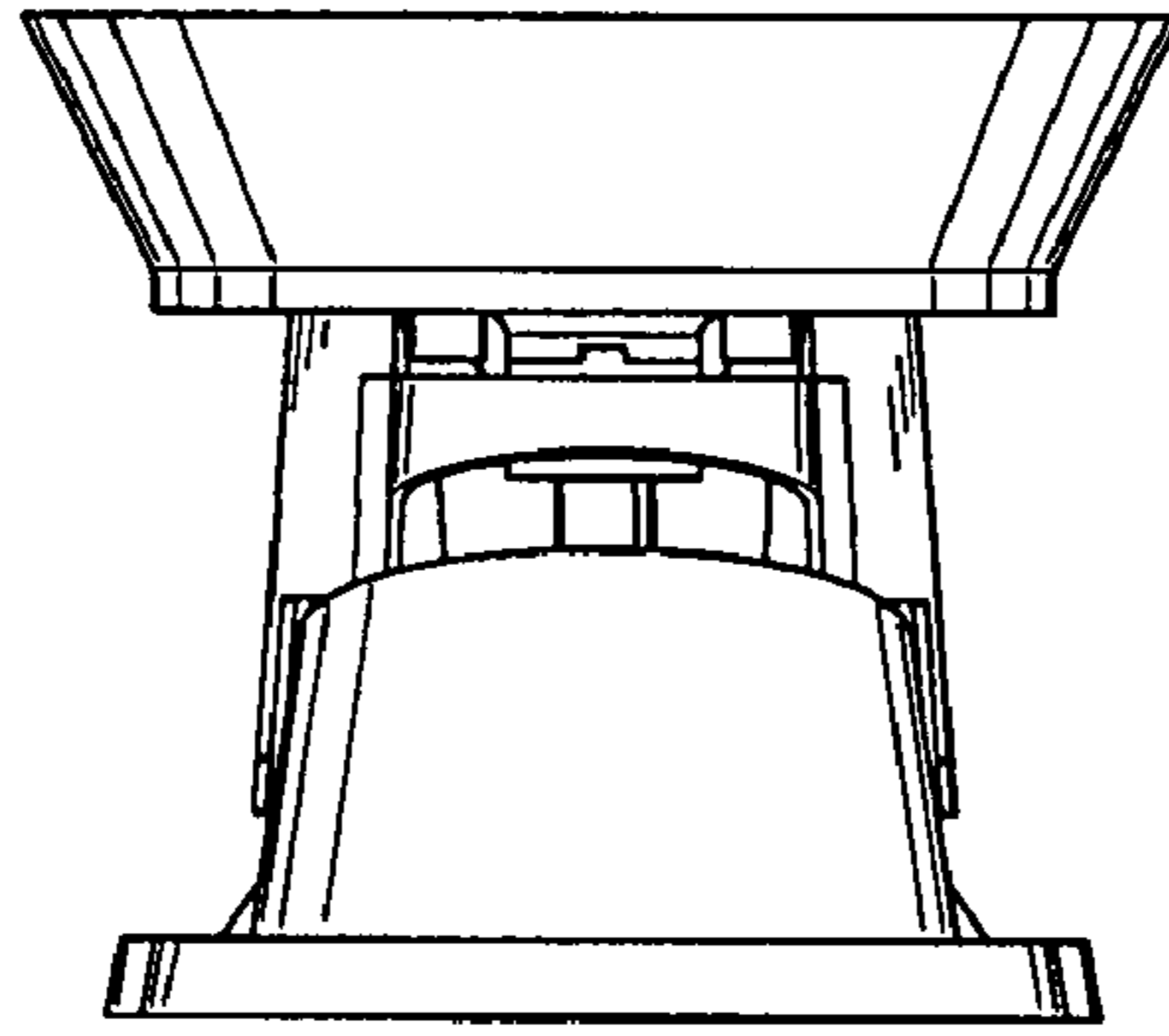


Fig. 4

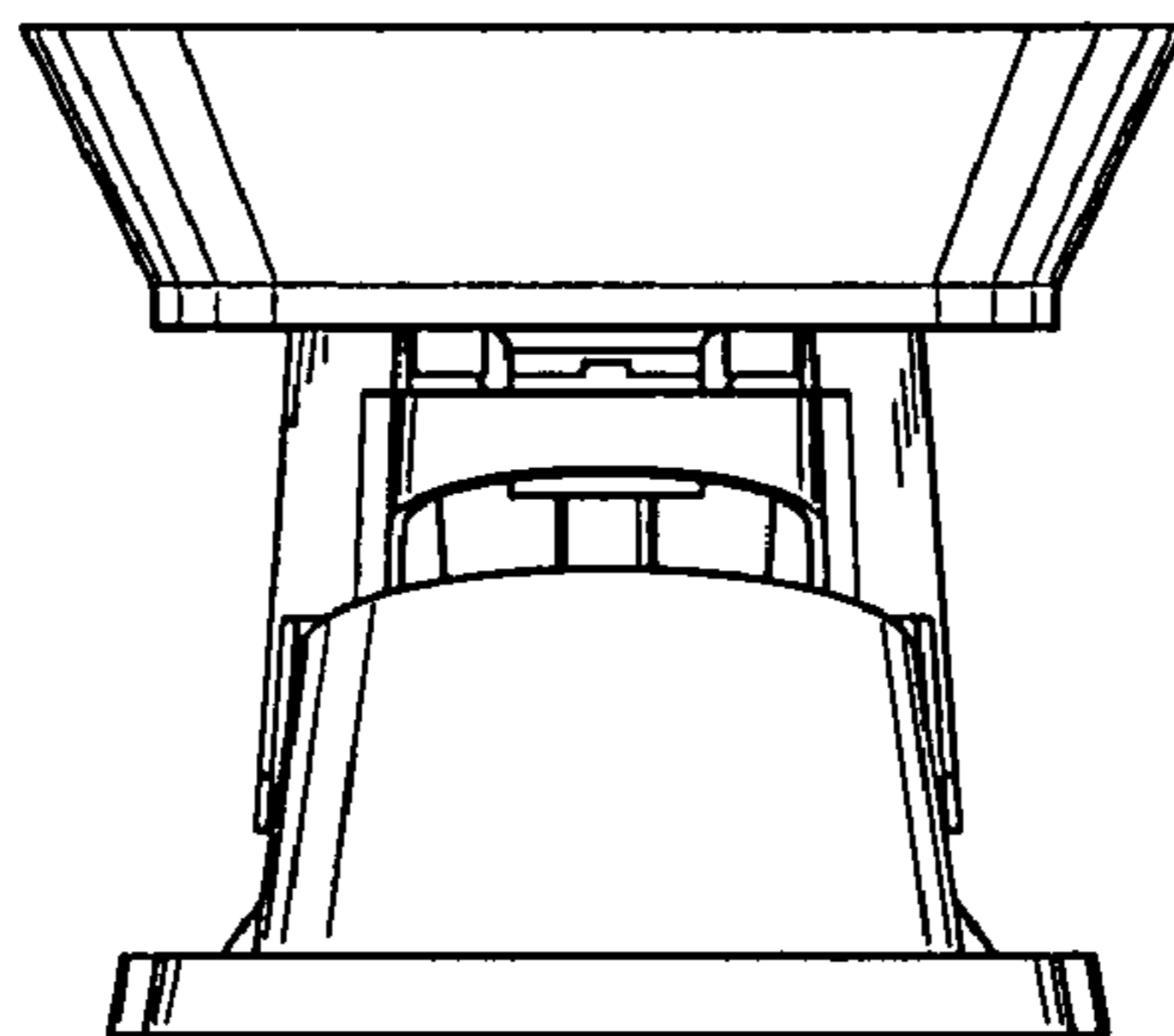


Fig. 5

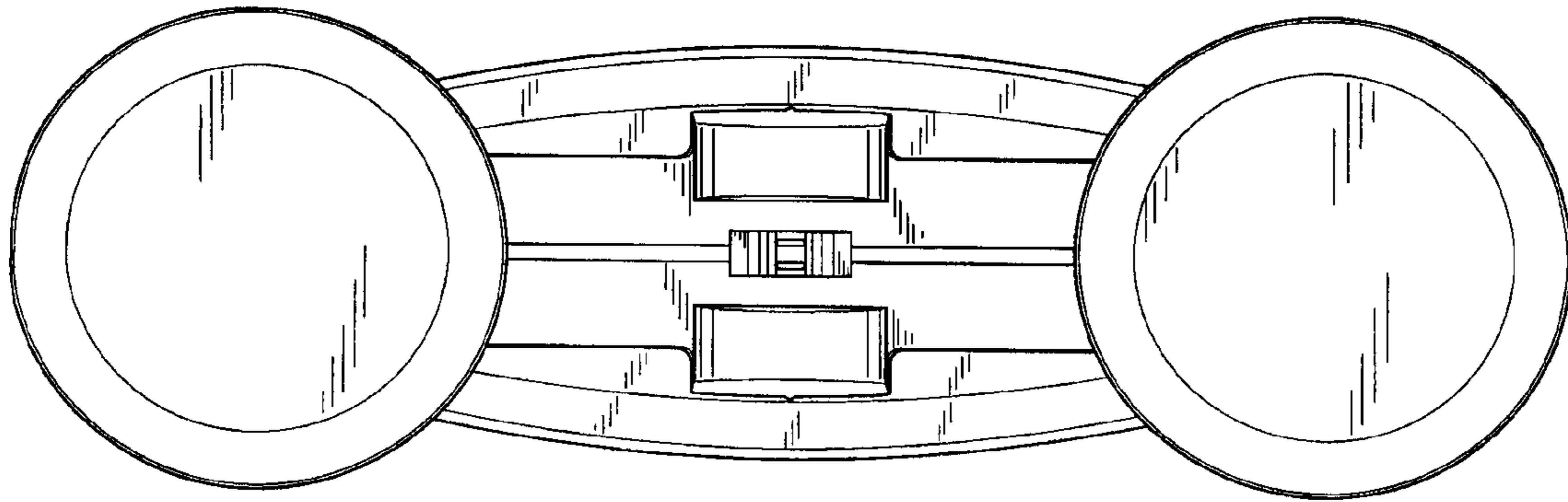


Fig. 6

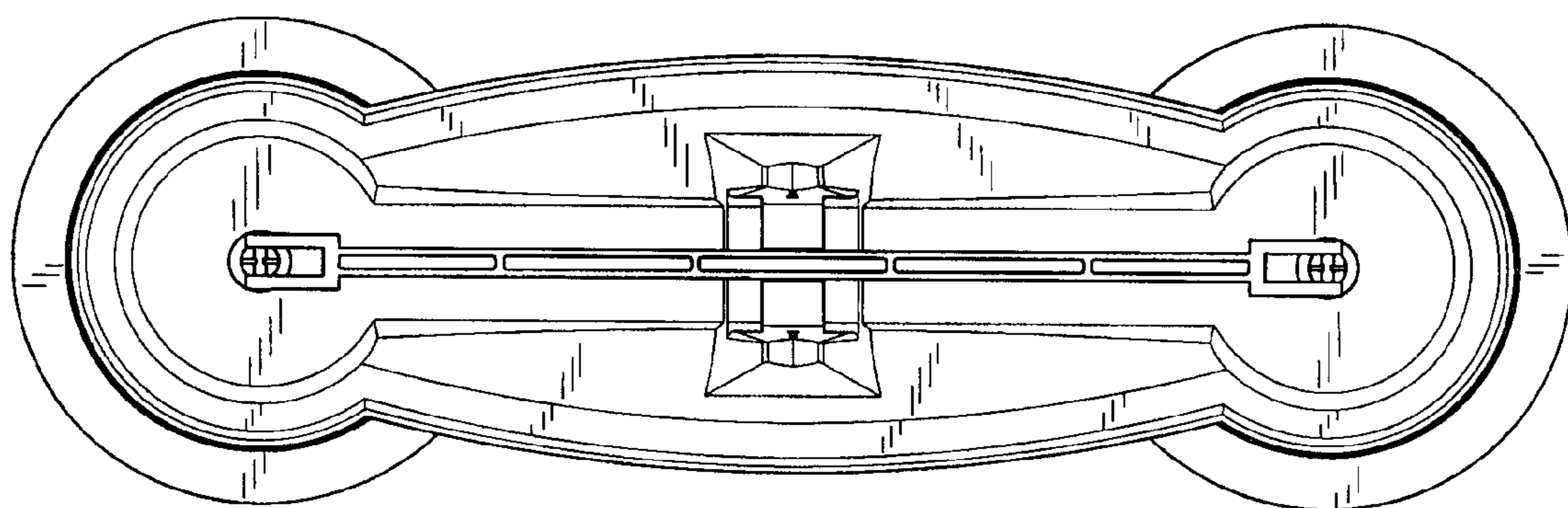


Fig. 7