



US00D570720S

(12) **United States Design Patent**  
**Lin**

(10) **Patent No.:** **US D570,720 S**  
(45) **Date of Patent:** **\*\* Jun. 10, 2008**

(54) **BALANCE FOR TEACHING**

D443,840 S \* 6/2001 Ruban ..... D10/90

(75) Inventor: **Wen-Yuan Lin**, Sansia Township,  
Taipei County (TW)

\* cited by examiner

(73) Assignee: **Youth Toy Enterprise Co., Ltd**, Taipei  
County (TW)

*Primary Examiner*—Antoine D Davis

(74) *Attorney, Agent, or Firm*—Daniel B. Schein, Esq.

(\*\*) Term: **14 Years**

(57) **CLAIM**

(21) Appl. No.: **29/285,354**

The ornamental design for a balance for teaching, as shown  
and described.

(22) Filed: **Mar. 28, 2007**

**DESCRIPTION**

(51) **LOC (8) Cl.** ..... **10-04**

FIG. 1 is a perspective view of a balance for teaching;

(52) **U.S. Cl.** ..... **D10/90**

FIG. 2 is a front elevation thereof;

(58) **Field of Classification Search** ..... D10/90;

FIG. 3 is a rear elevation thereof;

177/190–200, 238–243, 246–252; 434/194

FIG. 4 is a left side elevation thereof;

See application file for complete search history.

FIG. 5 is a right side elevation thereof;

(56) **References Cited**

FIG. 6 is a top plan view thereof;

**U.S. PATENT DOCUMENTS**

FIG. 7 is a bottom view thereof; and,

D212,907 S \* 12/1968 Leotta ..... D10/90

FIG. 8 is a reference showing the balance for teaching in the

3,527,311 A \* 9/1970 Ohaus et al. .... 177/168

position of use, the broken line showing are for illustrative

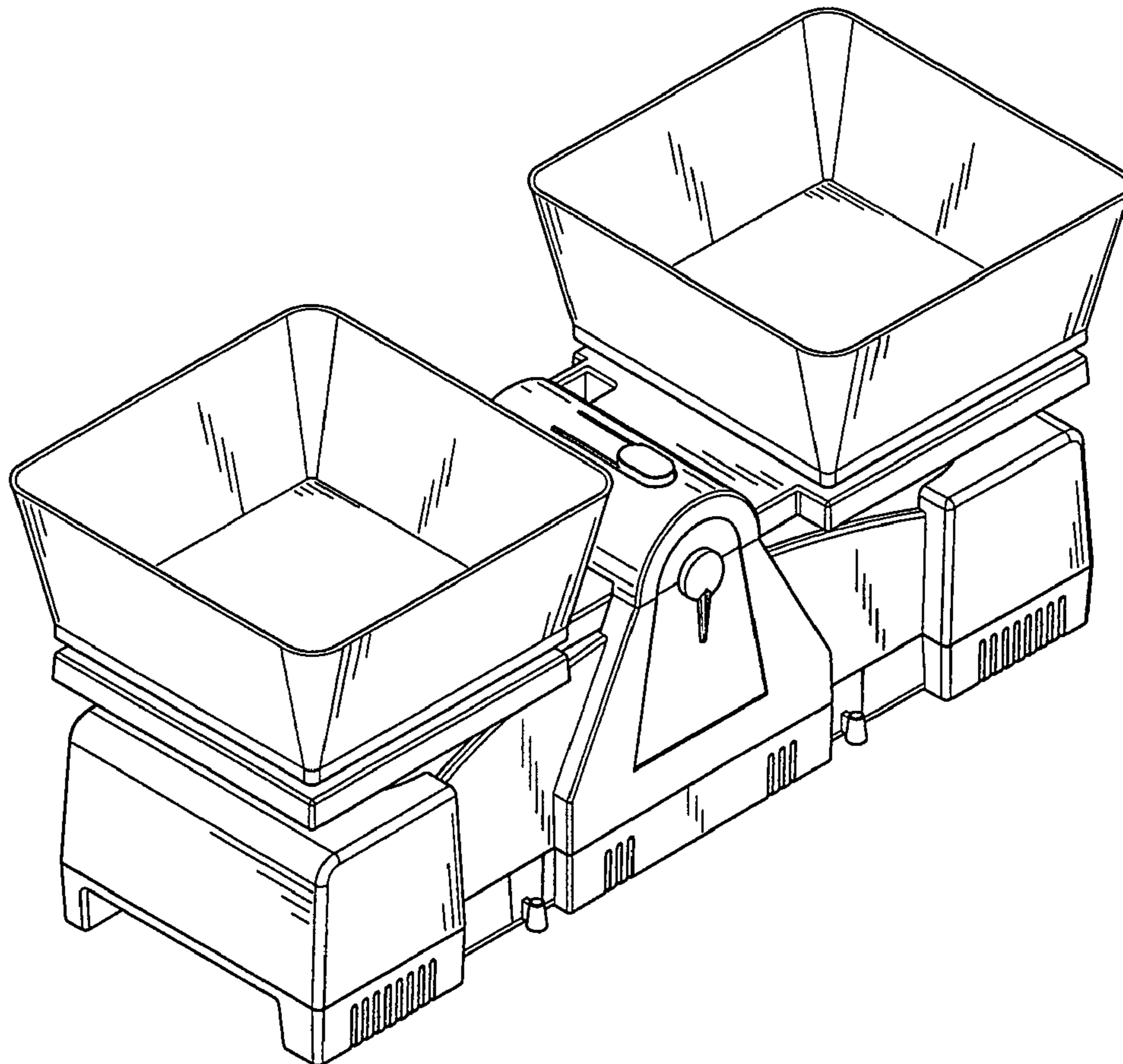
4,042,050 A \* 8/1977 Myers ..... 177/198

purposes only and form no part of the claimed design.

D245,767 S \* 9/1977 Myers ..... D10/90

D379,315 S \* 5/1997 Woldenberg et al. .... D10/90

**1 Claim, 5 Drawing Sheets**



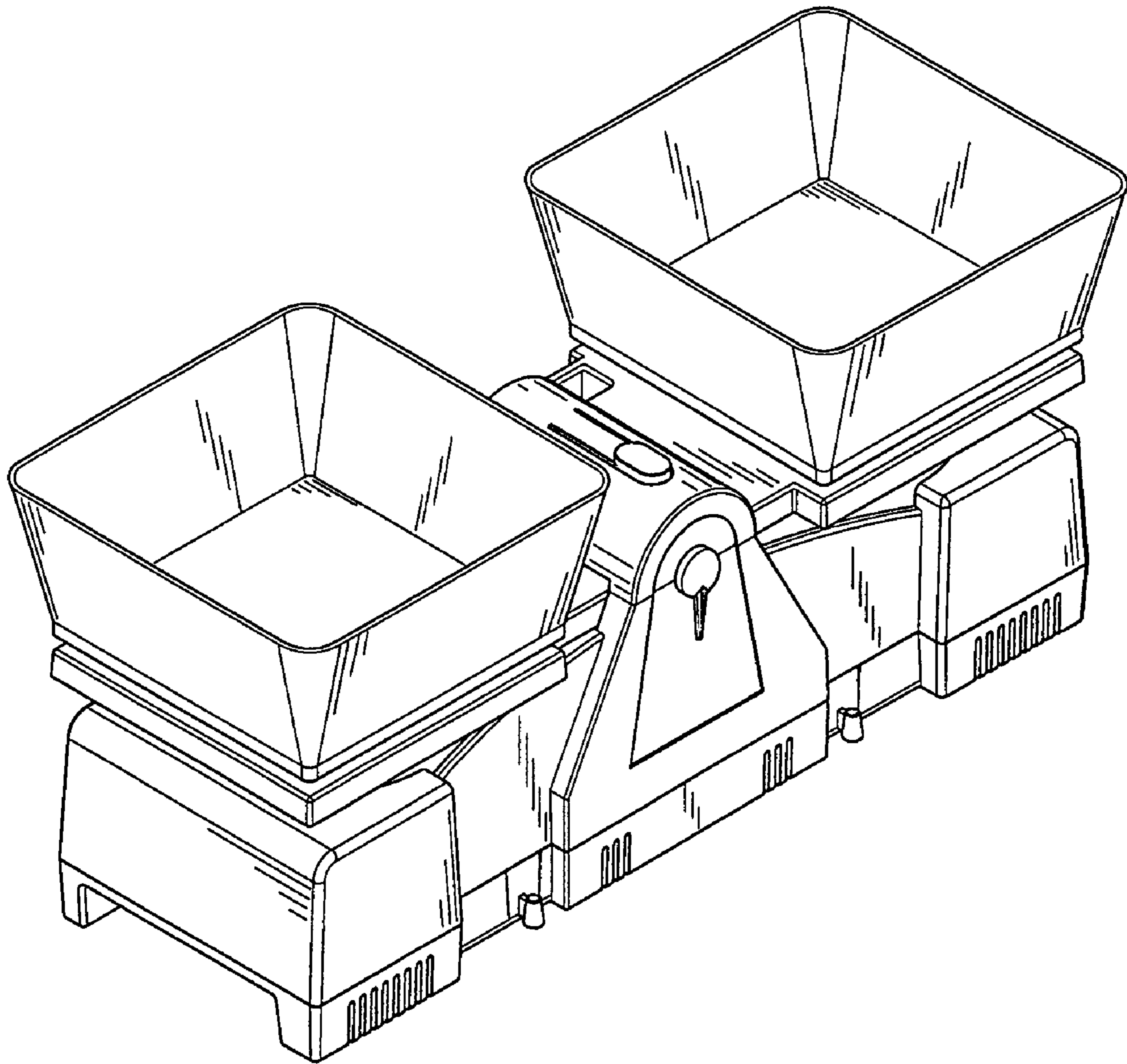


Fig. 1

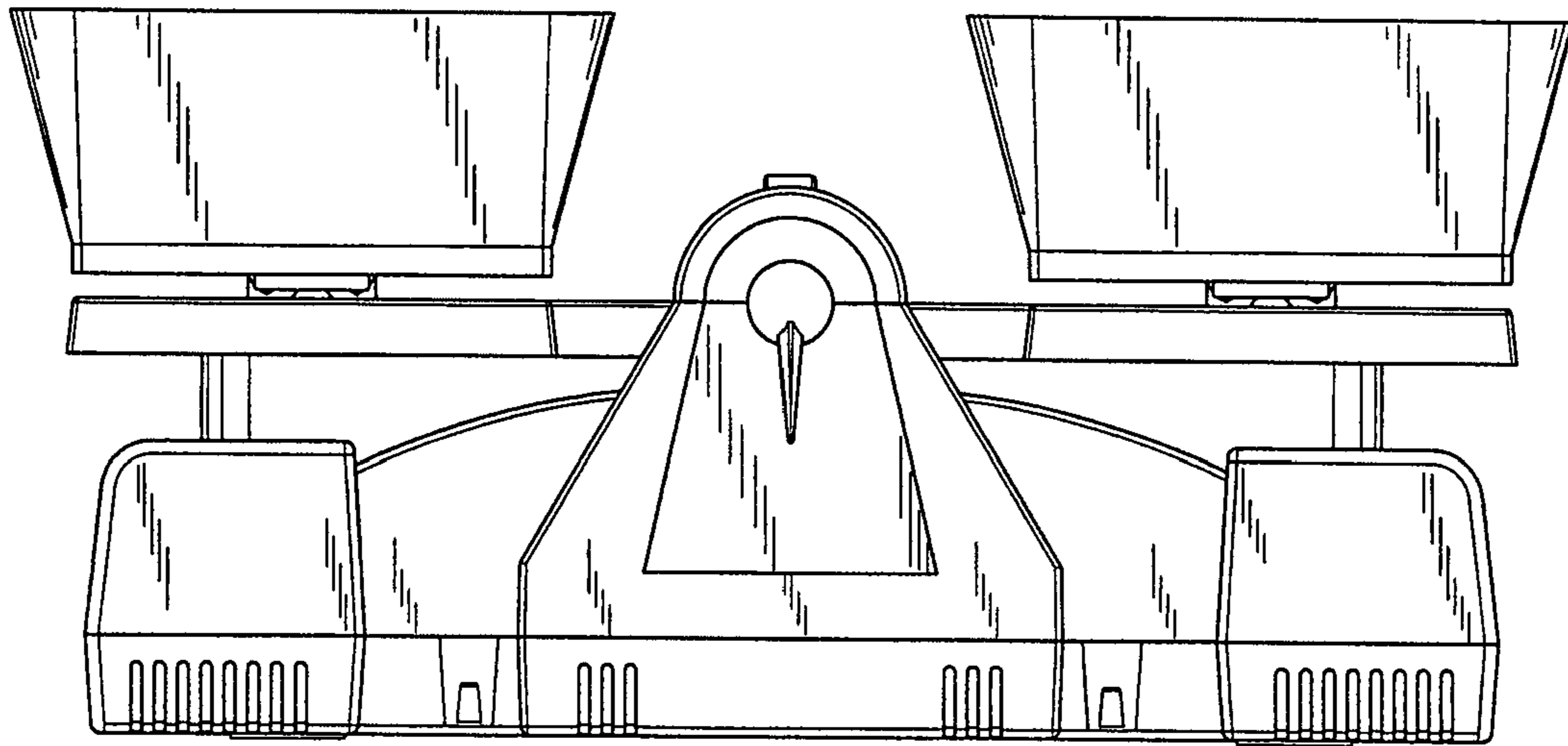


Fig. 2

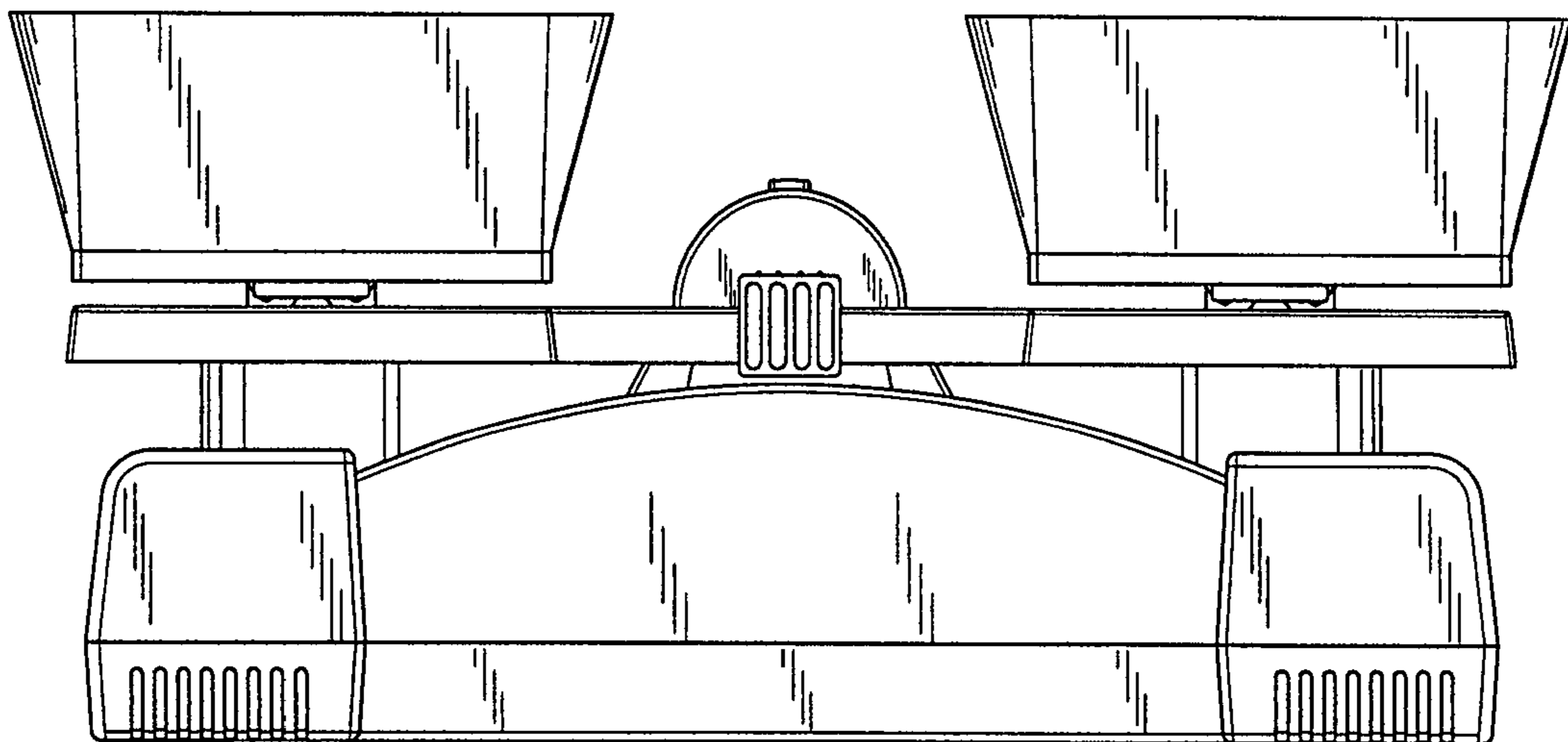


Fig. 3

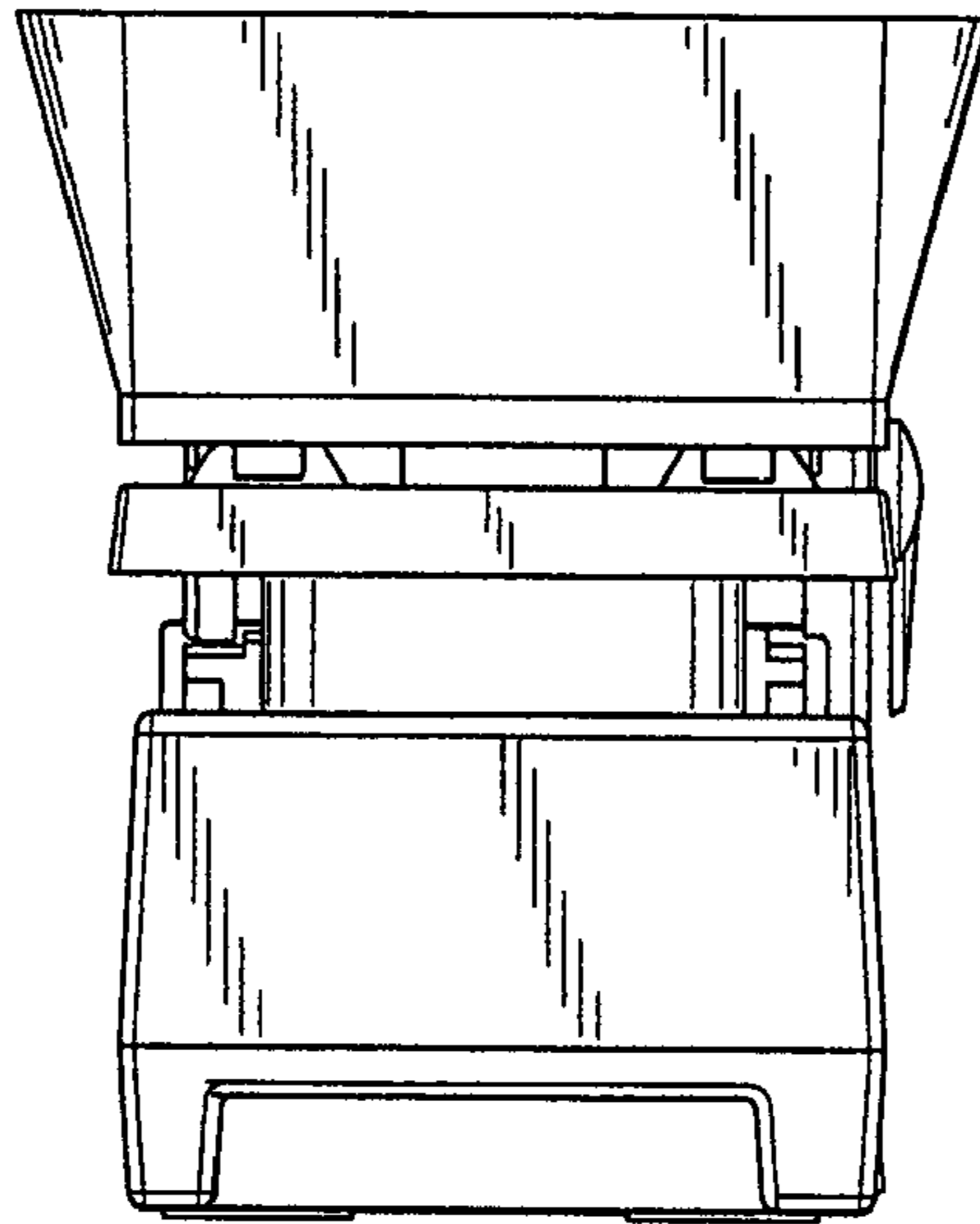


Fig. 4

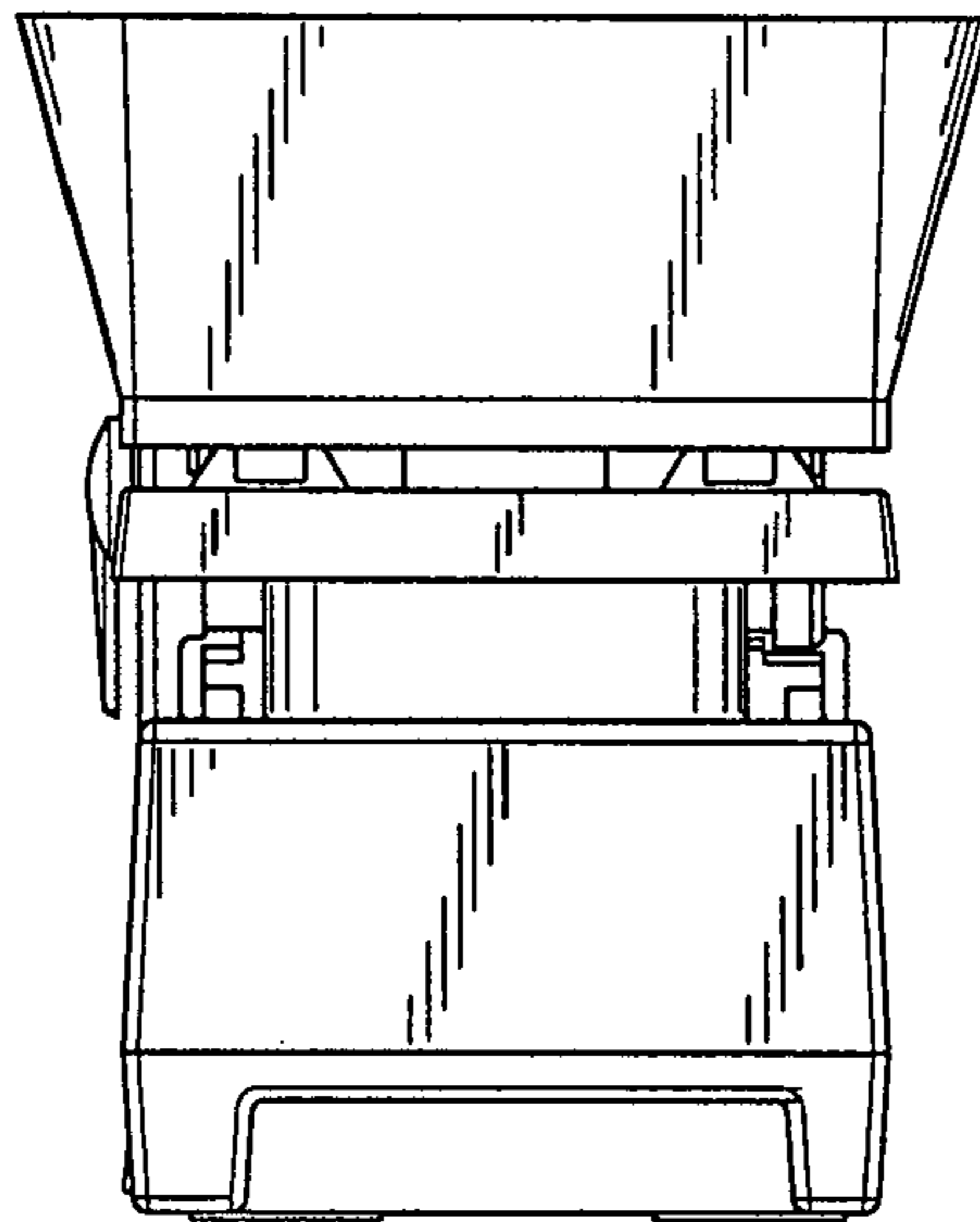


Fig. 5

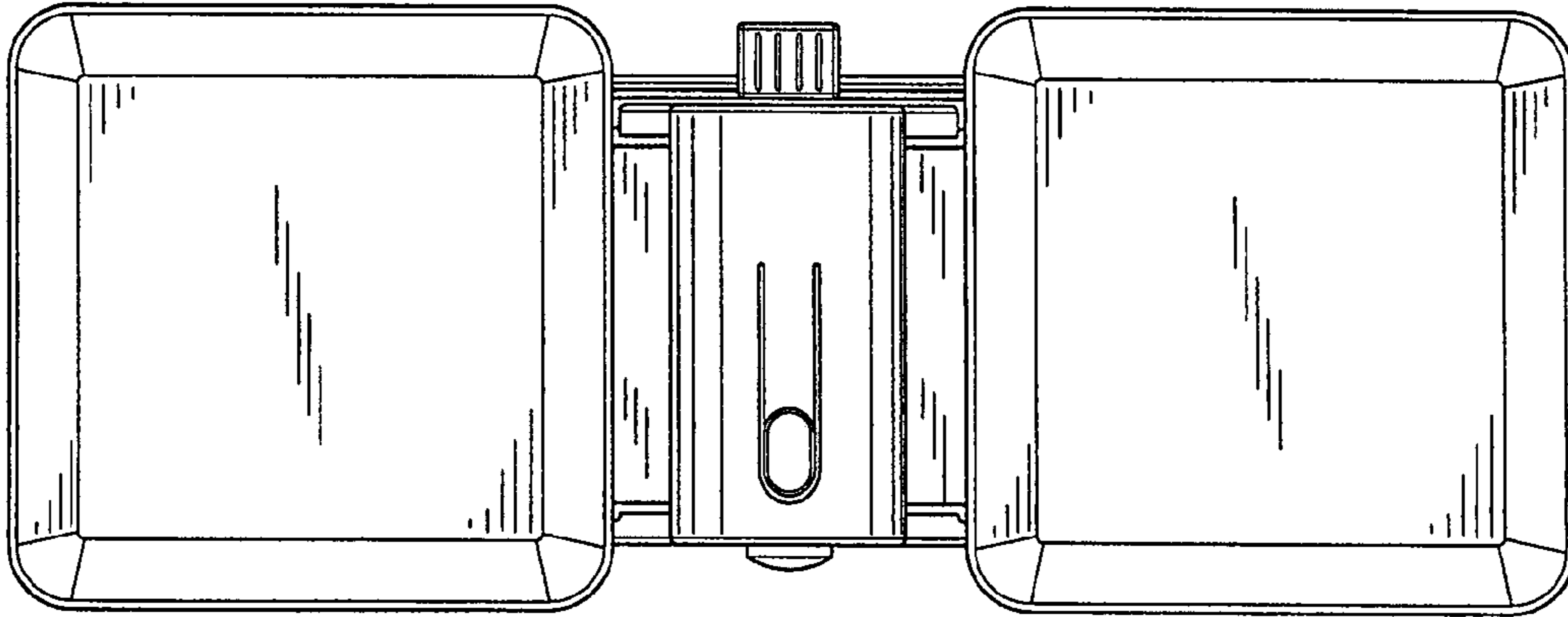


Fig. 6

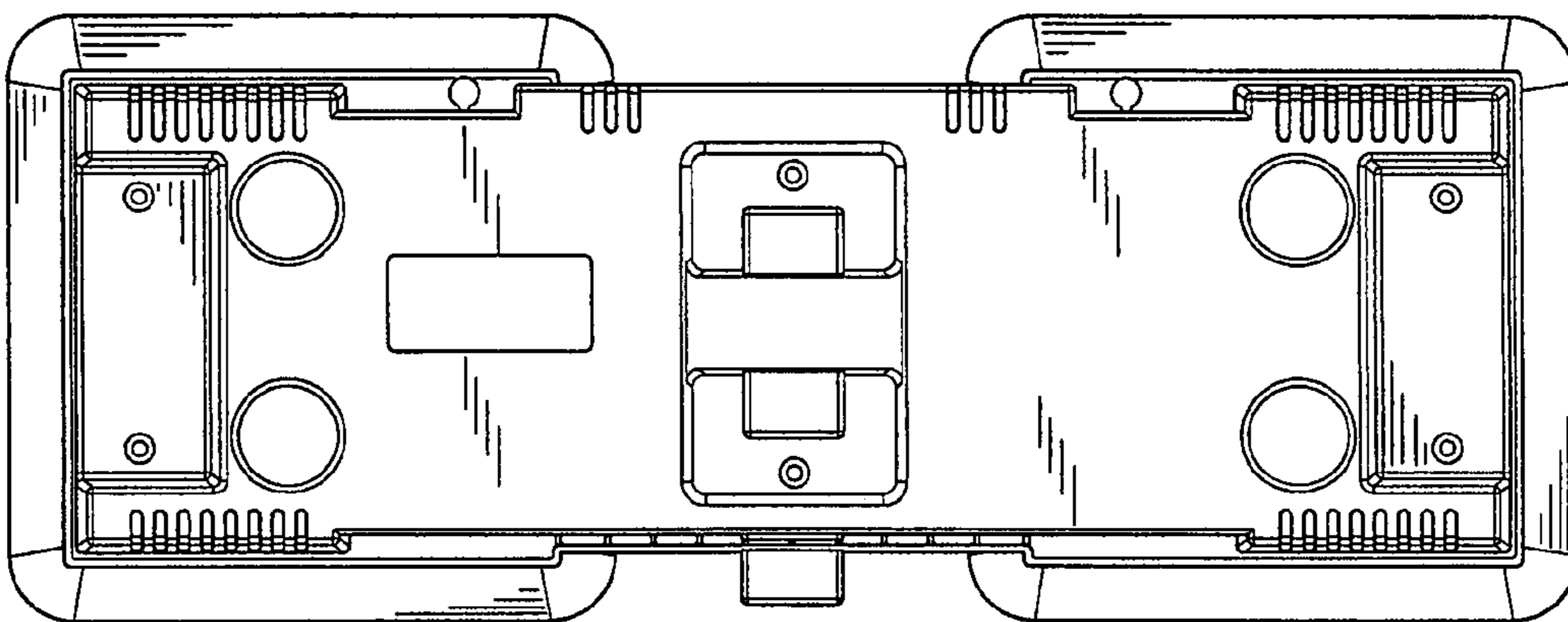


Fig. 7

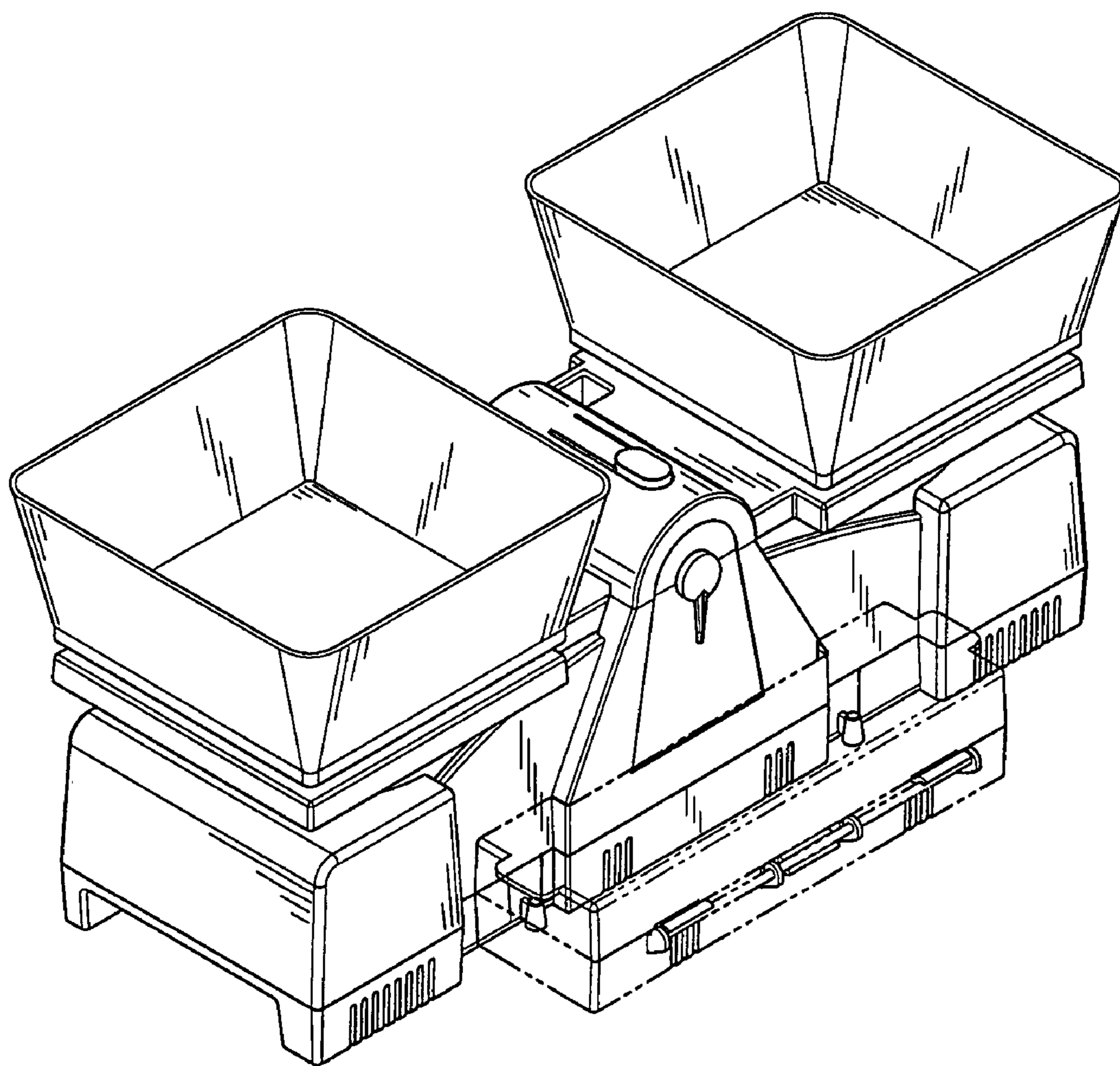


Fig. 8