



US00D570719S

(12) **United States Design Patent**
Woo

(10) **Patent No.:** **US D570,719 S**

(45) **Date of Patent:** **** Jun. 10, 2008**

(54) **SCALE**

7,232,961 B1 * 6/2007 Godshaw et al. 177/131

(75) Inventor: **Hon Kong Woo**, Hong Kong (HK)

* cited by examiner

(73) Assignee: **Johnson Measures and Weights Limited**, Kowloon (HK)

Primary Examiner—Antoine D. Davis

(**) Term: **14 Years**

(57) **CLAIM**

(21) Appl. No.: **29/282,435**

The ornamental design for a scale, as shown.

(22) Filed: **Jul. 20, 2007**

DESCRIPTION

(51) **LOC (8) Cl.** **10-04**

FIG. 1 is a front elevational view of a scale showing my new design;

(52) **U.S. Cl.** **D10/89**

FIG. 2 is a rear elevational view thereof;

(58) **Field of Classification Search** D10/89;
177/131, 148, 245; 211/17, 22; 269/86

FIG. 3 is a left side view thereof;

See application file for complete search history.

FIG. 4 is a right side view thereof;

FIG. 5 is a top plan view thereof;

(56) **References Cited**

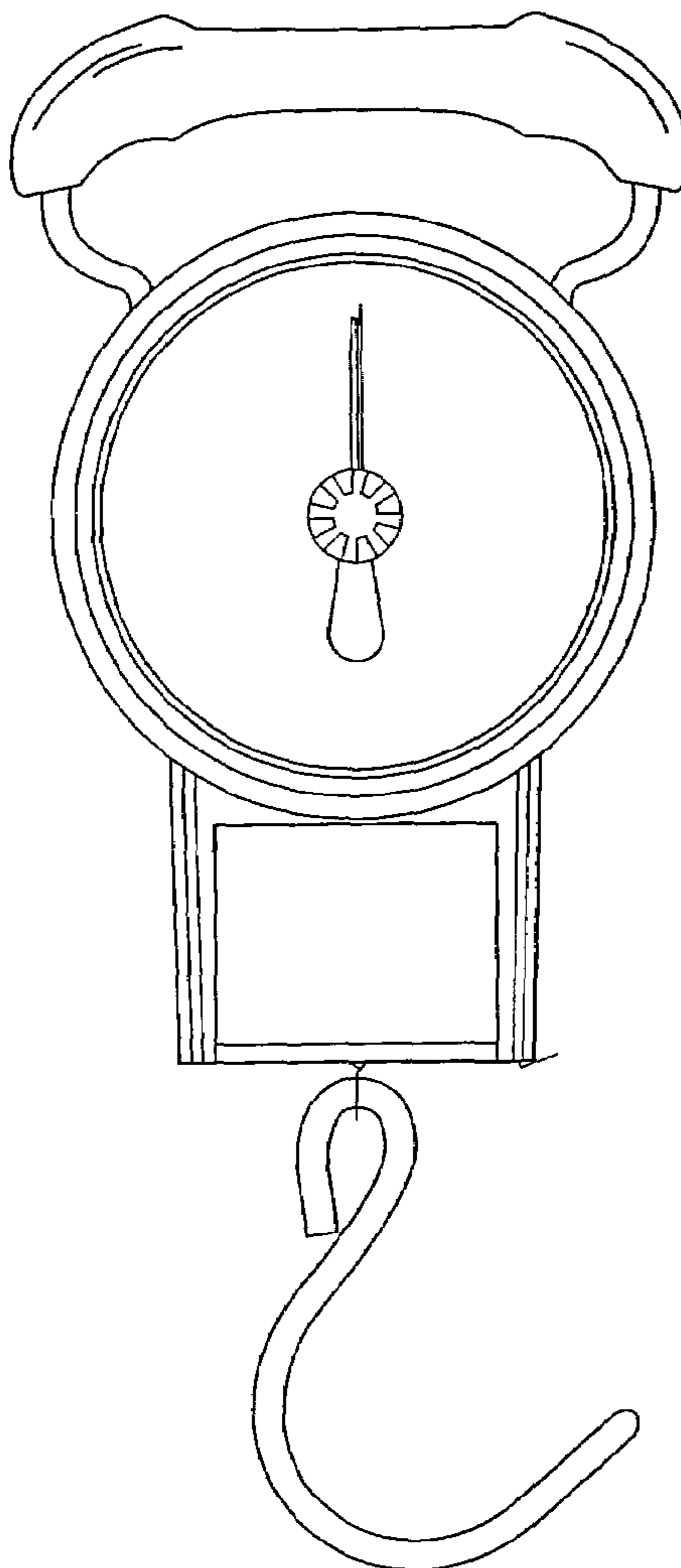
FIG. 6 is a bottom plan view thereof; and,

FIG. 7 is a perspective view thereof.

U.S. PATENT DOCUMENTS

D117,900 S * 12/1939 Hannsen D10/89

1 Claim, 3 Drawing Sheets



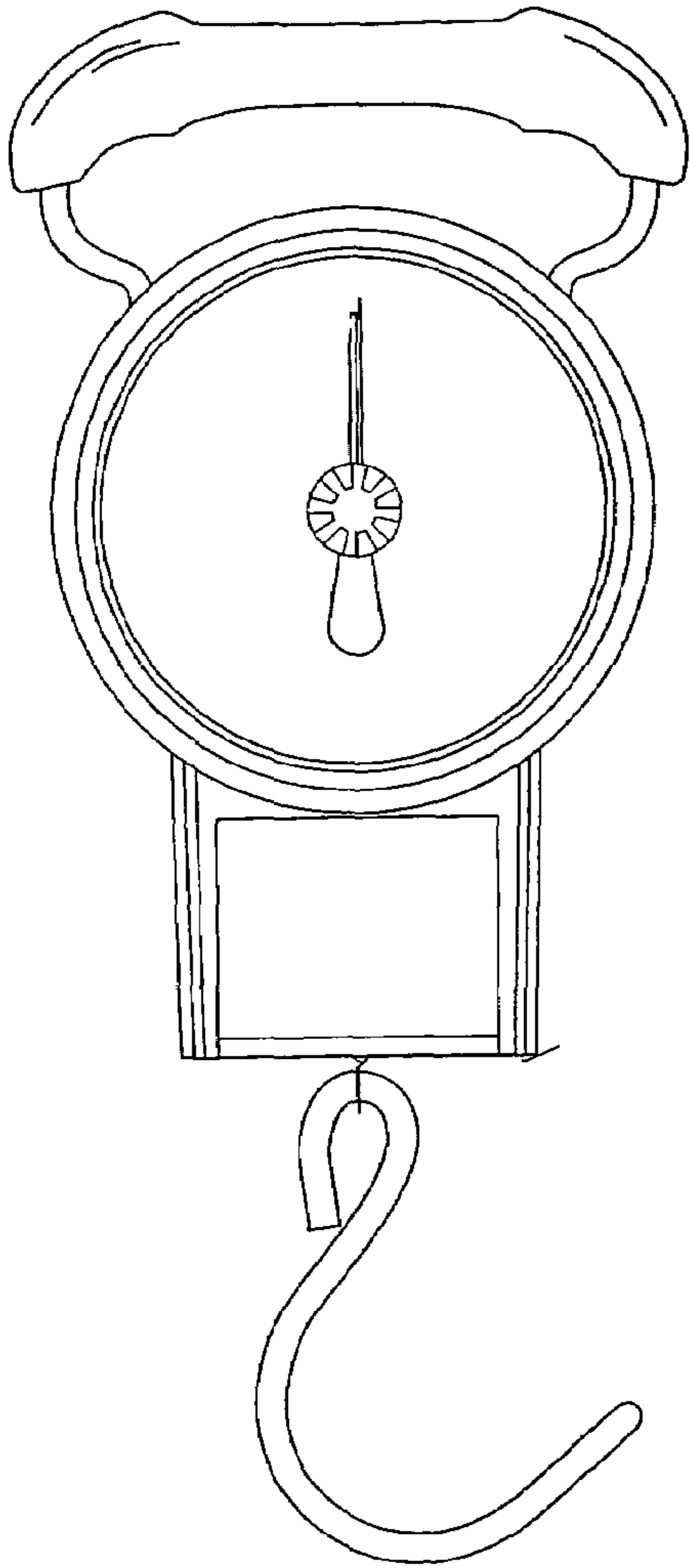


Fig. 1

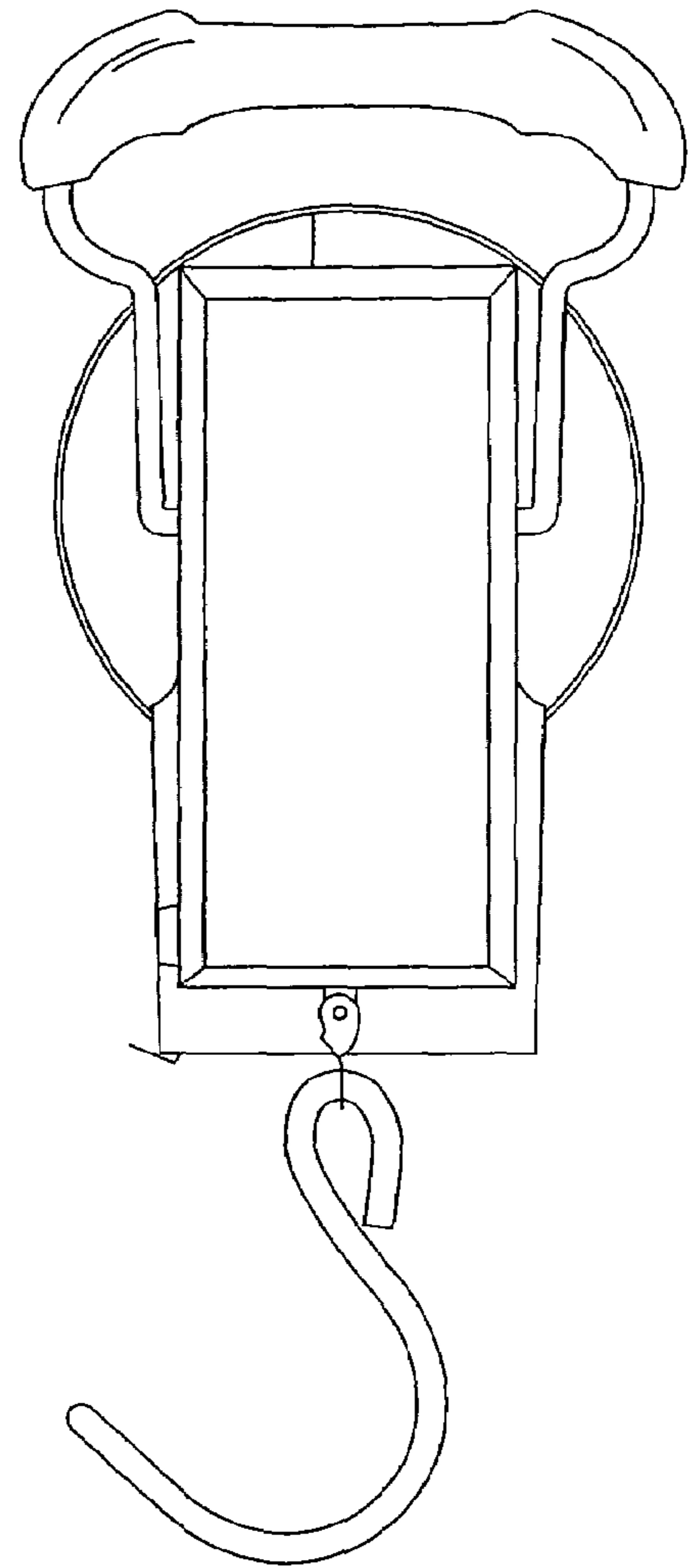


Fig. 2

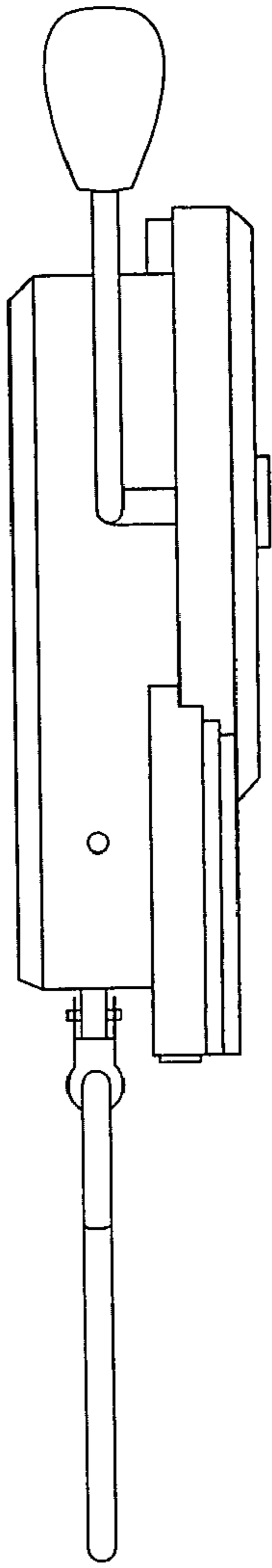


Fig. 3

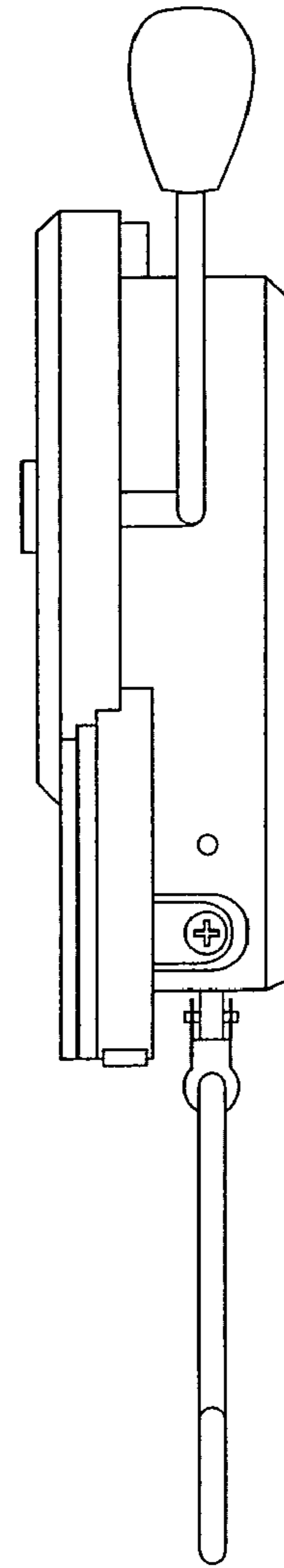


Fig. 4

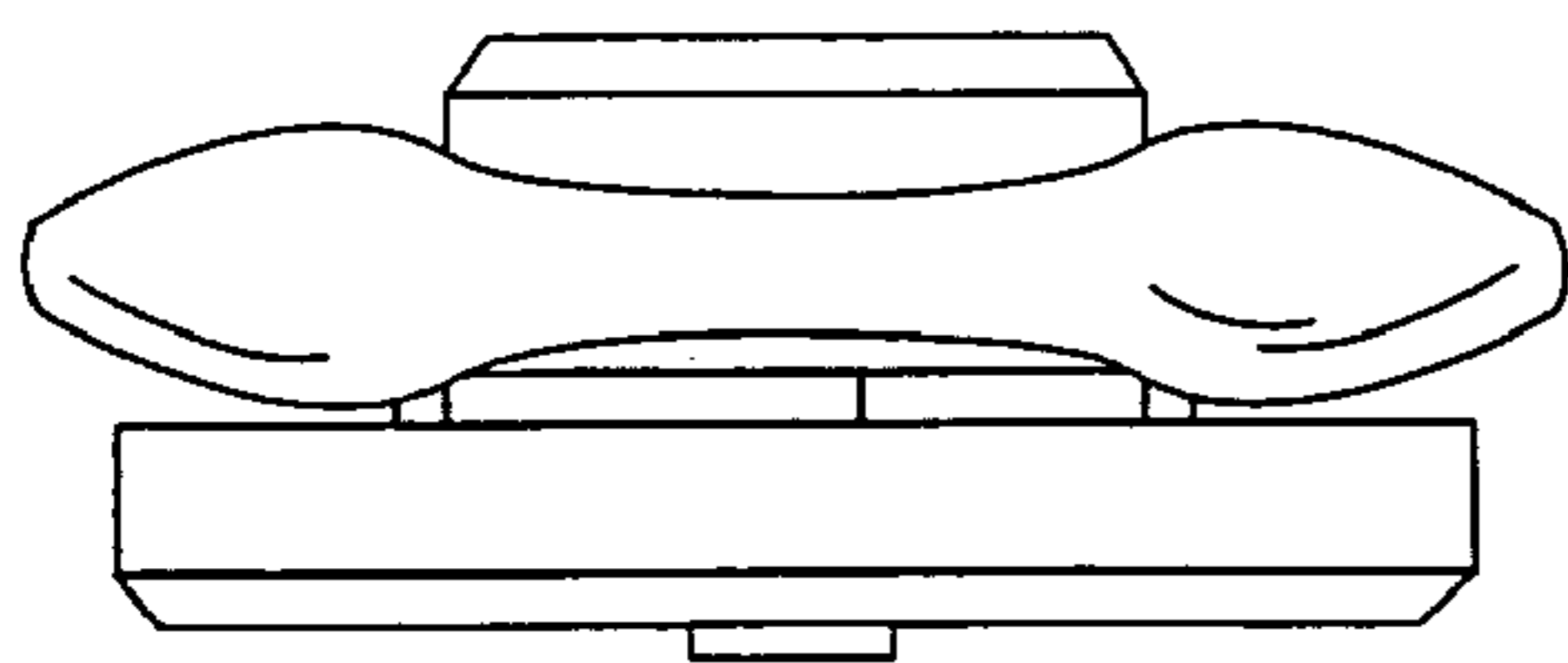


Fig. 5

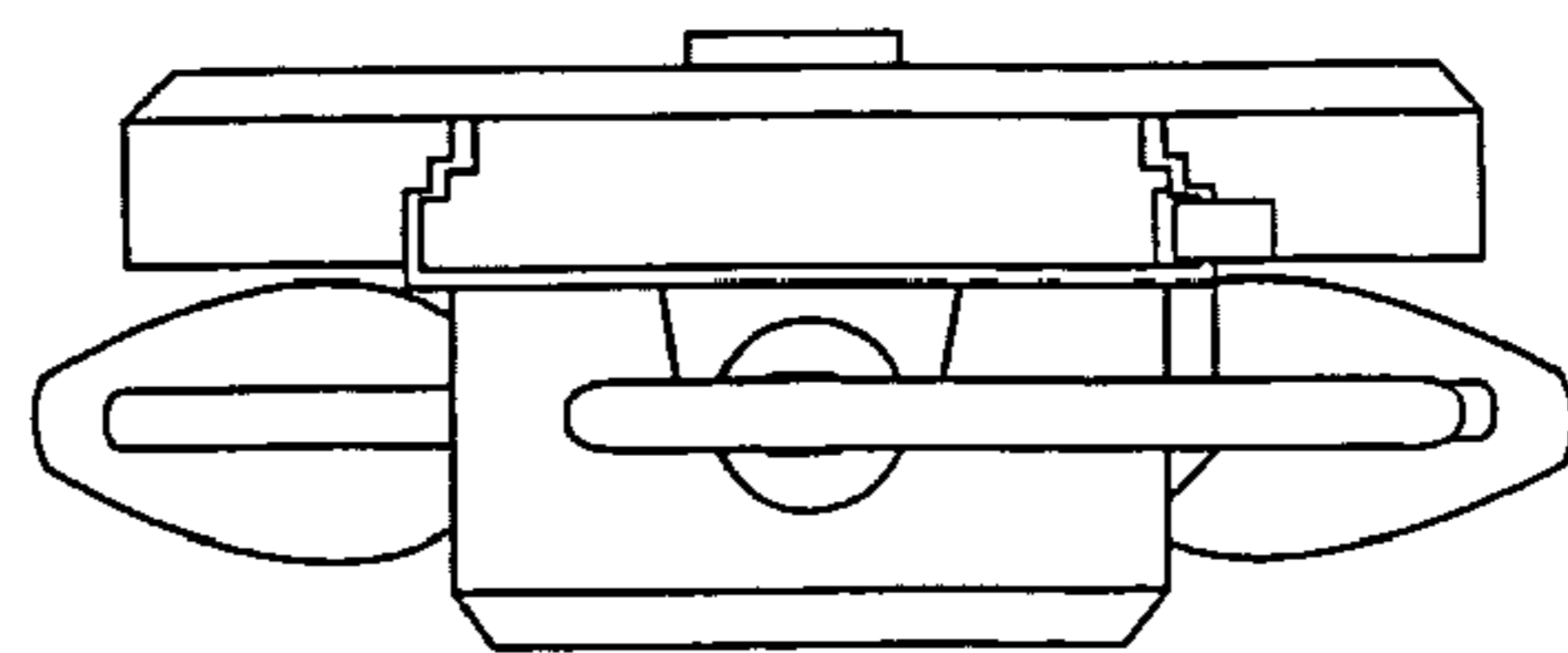


Fig. 6

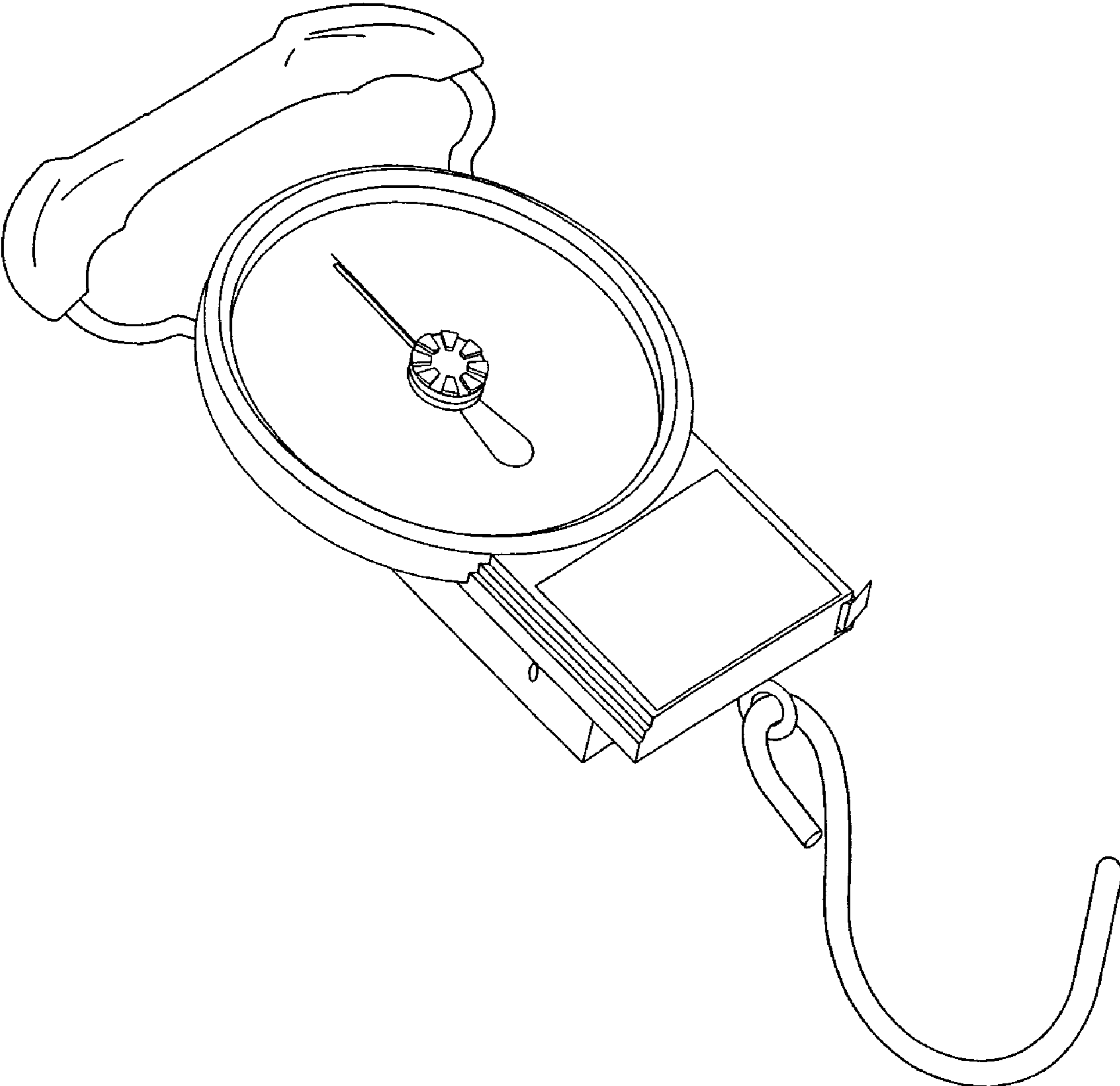


Fig. 7