



US00D570716S

(12) **United States Design Patent**  
**Gerold**

(10) **Patent No.:** **US D570,716 S**  
(45) **Date of Patent:** **\*\* Jun. 10, 2008**

(54) **HAND HELD TESTER**

D553,029 S \* 10/2007 Chang ..... D10/78

(75) Inventor: **Lars Gerold**, Stuttgart (DE)

\* cited by examiner

(73) Assignee: **Robert Bosch GmbH**, Stuttgart (DE)

*Primary Examiner*—Antoine D Davis

(74) *Attorney, Agent, or Firm*—Michael J. Striker

(\*\*) Term: **14 Years**

(21) Appl. No.: **29/277,919**

(57) **CLAIM**

(22) Filed: **Mar. 14, 2007**

The ornamental design for a hand held tester, as shown and described.

(51) **LOC (8) Cl.** ..... **10-04**

(52) **U.S. Cl.** ..... **D10/78**

(58) **Field of Classification Search** ..... D10/78;  
324/76.12; 340/439; 701/24, 29, 35; 702/57  
See application file for complete search history.

**DESCRIPTION**

FIG. 1 is a top view of a hand held tester showing me new design;

FIG. 2 is a front view thereof;

FIG. 3 is a side view thereof;

FIG. 4 is the opposite side view of FIG. 3 thereof;

FIG. 5 is a bottom view thereof; and,

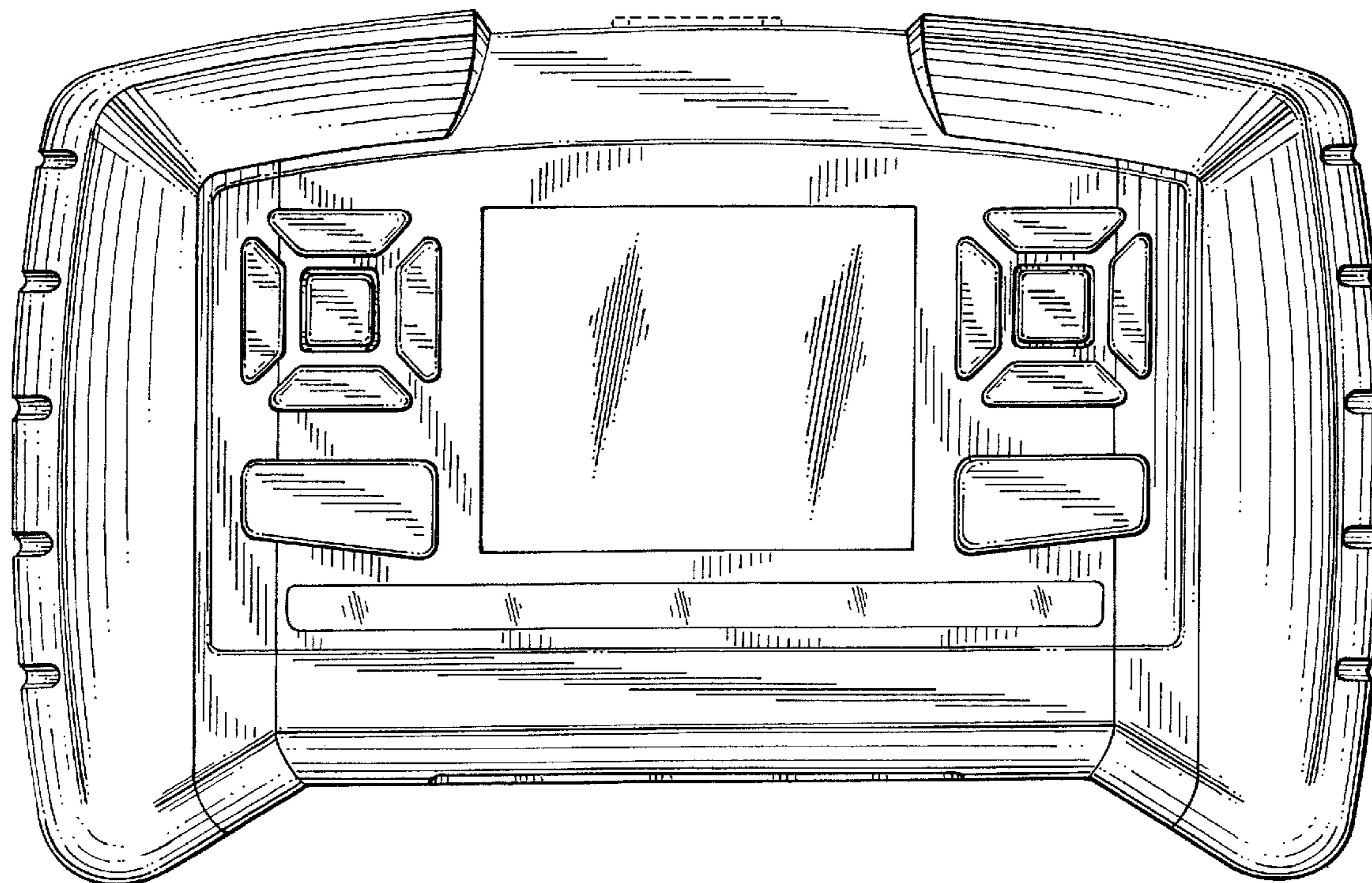
FIG. 6 is a rear view thereof.

(56) **References Cited**

**U.S. PATENT DOCUMENTS**

- D332,059 S \* 12/1992 Kling et al. .... D10/78
- D360,151 S \* 7/1995 Kim et al. .... D10/78
- D397,049 S \* 8/1998 Mohammadian et al. .... D10/78
- D518,394 S \* 4/2006 Lipscomb et al. .... D10/78

**1 Claim, 6 Drawing Sheets**



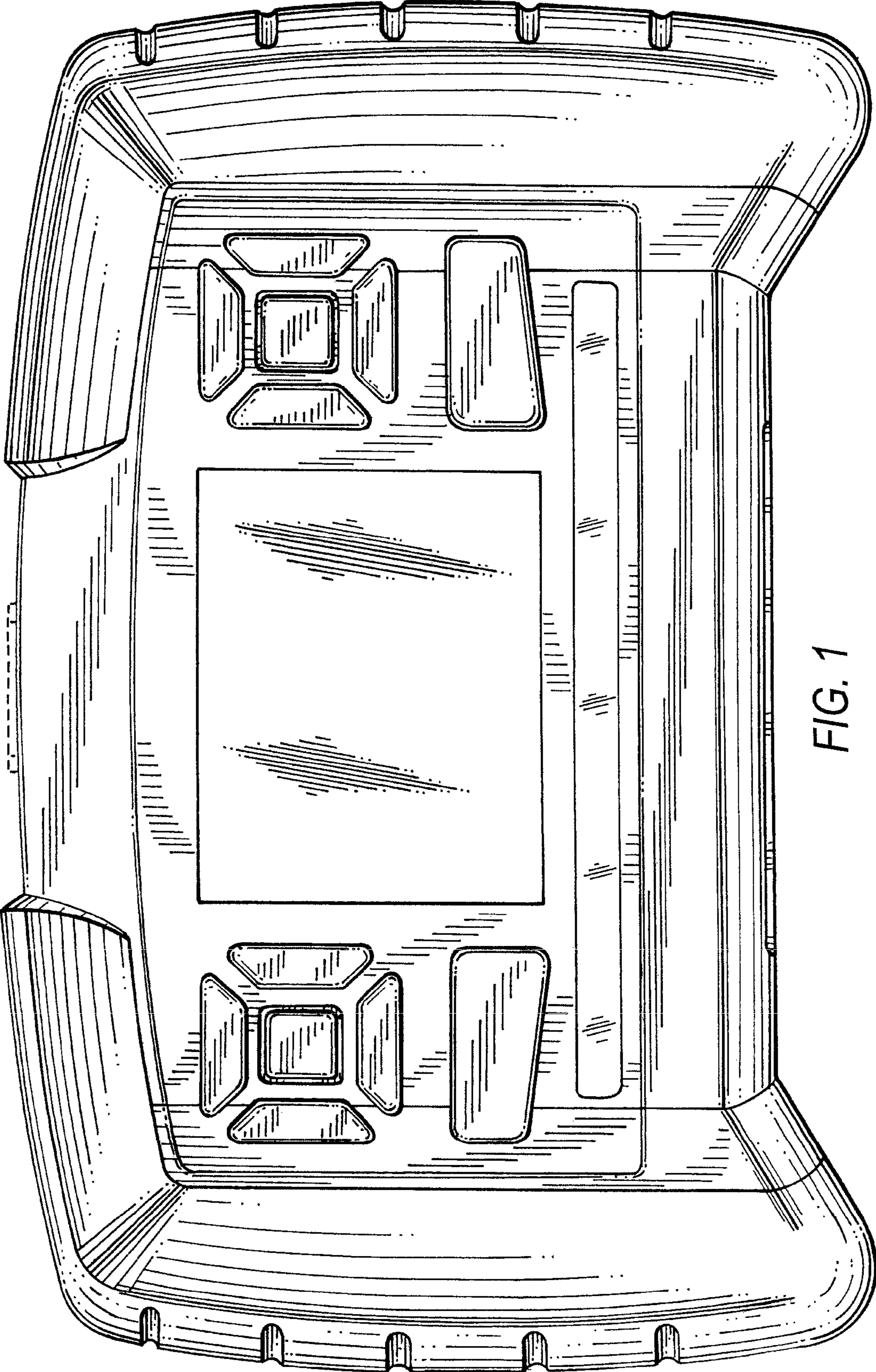


FIG. 1

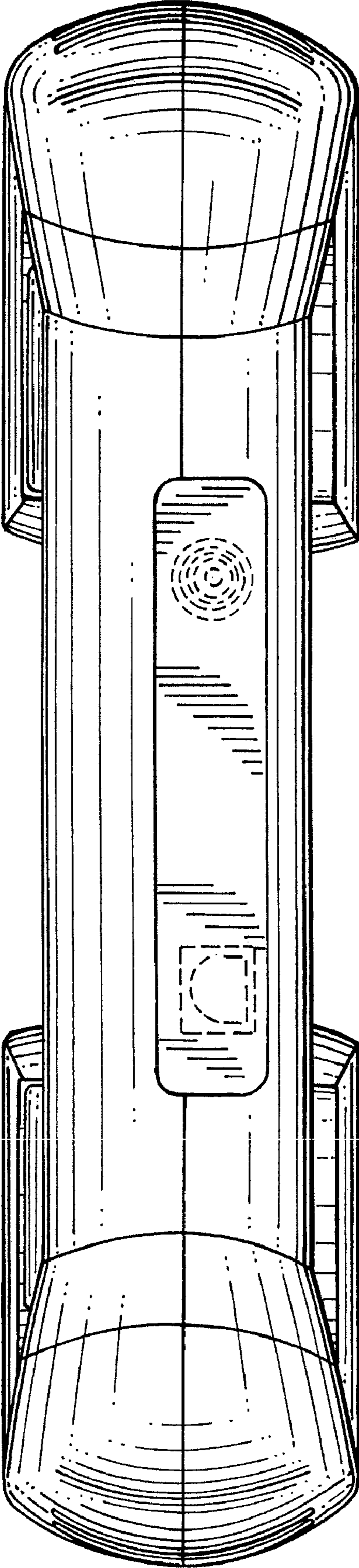


FIG. 2

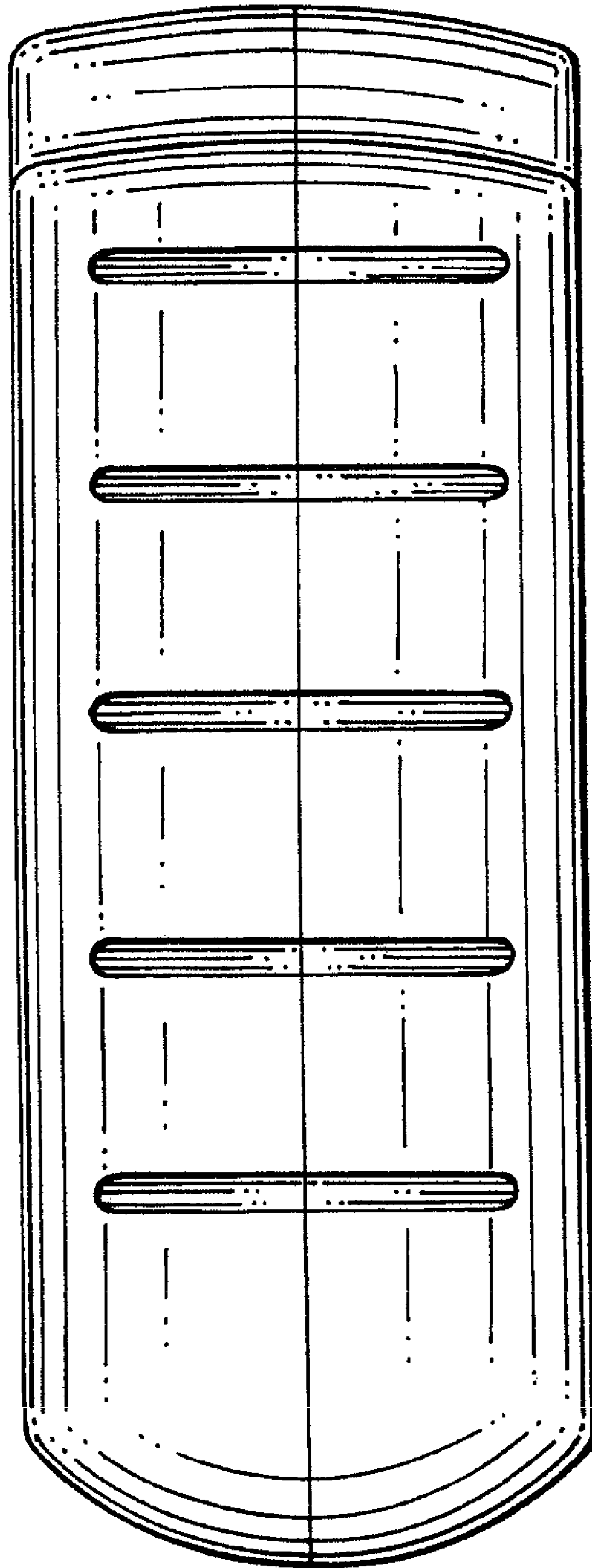


FIG. 3

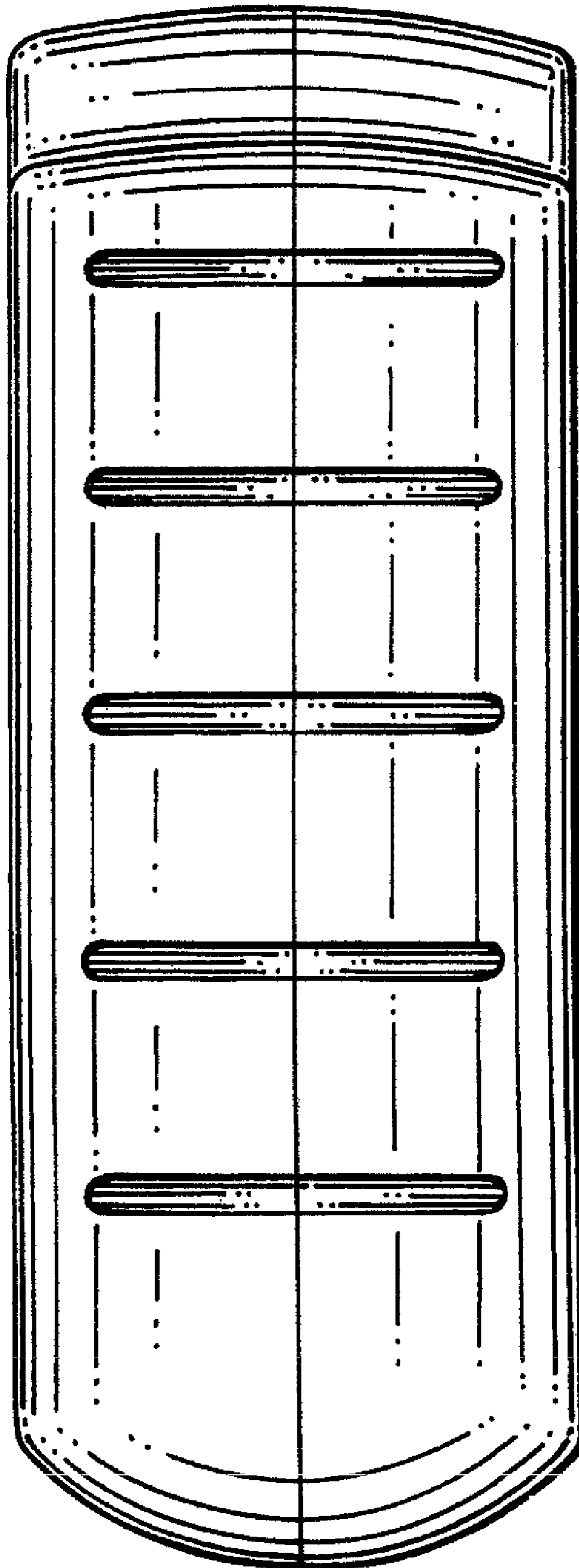


FIG. 4

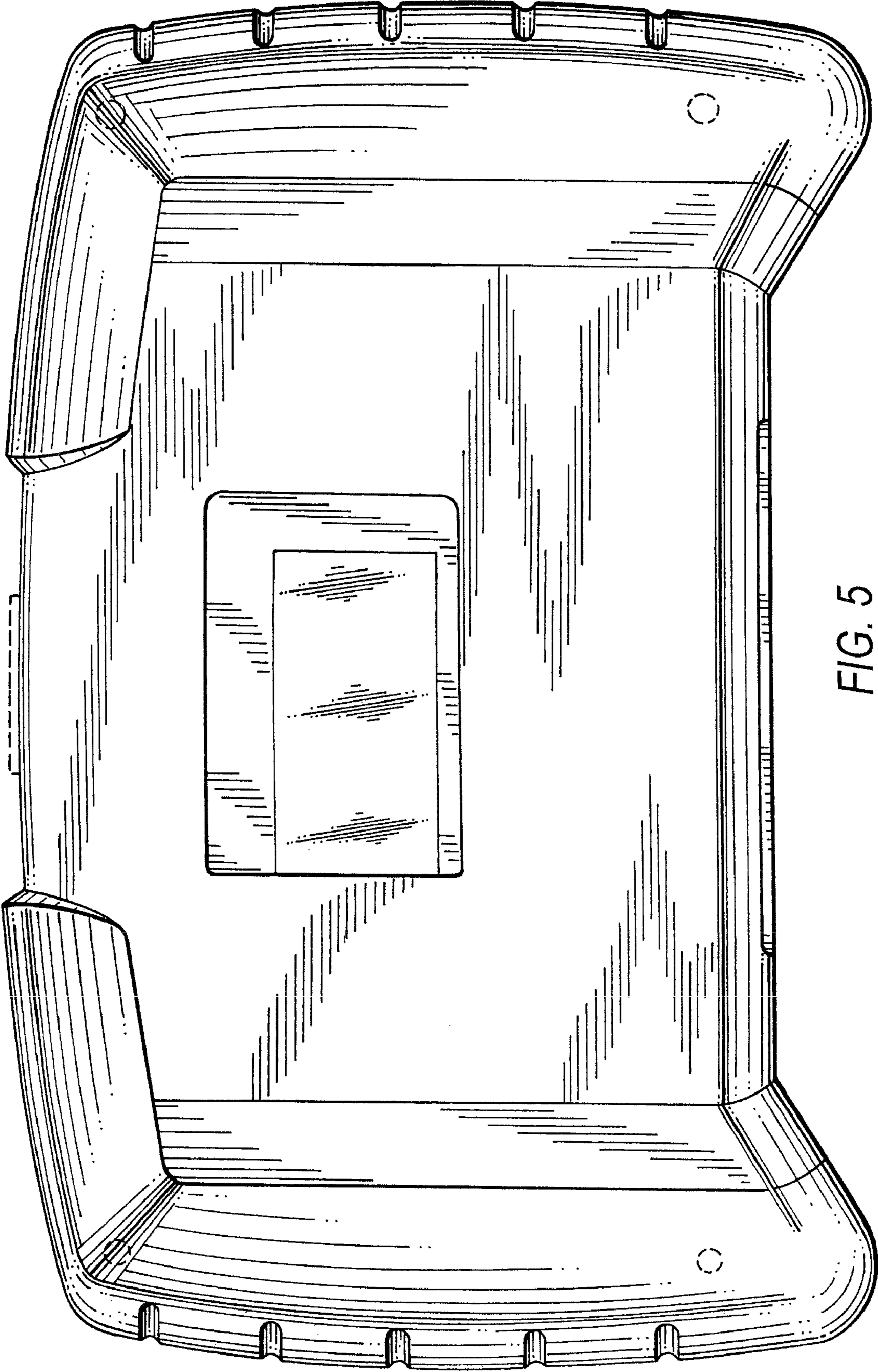


FIG. 5

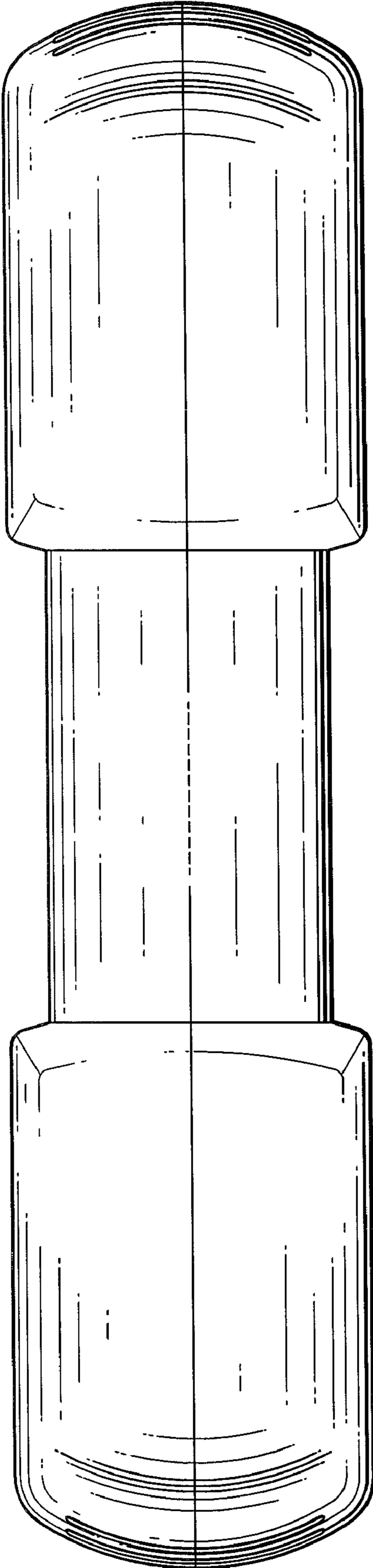


FIG. 6