

US00D570713S

(12) **United States Design Patent**
Gruosi-Scheufele

(10) **Patent No.:** **US D570,713 S**
(45) **Date of Patent:** **** Jun. 10, 2008**

(54) **WATCH CHRONOGRAPH**

(75) Inventor: **Caroline Gruosi-Scheufele**, Prangins
(CH)

(73) Assignee: **Chopard International SA**, Prangins
(CH)

(**) Term: **14 Years**

(21) Appl. No.: **29/295,720**

(22) Filed: **Oct. 4, 2007**

(30) **Foreign Application Priority Data**

Apr. 11, 2007 (WO) DM/069 319

(51) **LOC (8) Cl.** **10-02**

(52) **U.S. Cl.** **D10/39**

(58) **Field of Classification Search** D10/30-39,
D10/122-126; 368/276, 277, 281, 282, 285,
368/80, 223, 228, 232, 21, 28
See application file for complete search history.

(56) **References Cited**

U.S. PATENT DOCUMENTS

- D354,012 S * 1/1995 Barbara D10/39
- 5,400,304 A * 3/1995 Offenstein 368/285
- D357,192 S * 4/1995 Schneider D10/32
- D370,859 S * 6/1996 Scheufele D10/39
- D384,296 S * 9/1997 Giardiello D10/39
- D388,716 S * 1/1998 Wunderman D10/39
- D414,432 S * 9/1999 Aellen D10/32

- D415,970 S * 11/1999 Aellen D10/32
- D420,600 S * 2/2000 Gruosi-Scheufele D10/39
- D438,474 S * 3/2001 Dumas D10/39
- 6,404,704 B1 * 6/2002 Bossel et al. 368/232
- D474,118 S * 5/2003 Monachon D10/32
- 6,570,823 B1 * 5/2003 Gilomen et al. 368/113
- D509,448 S * 9/2005 Scheufele D10/39
- D509,449 S * 9/2005 Scheufele D10/39
- D517,432 S * 3/2006 Laucella D10/39
- D529,825 S * 10/2006 Perrenoud D10/38
- D547,210 S * 7/2007 Gruosi-Scheufele D10/39

* cited by examiner

Primary Examiner—Lucy Lieberman

(74) *Attorney, Agent, or Firm*—McGlew and Tuttle P.C.

(57) **CLAIM**

The ornamental design for a watch chronograph, as shown and described.

DESCRIPTION

FIG. 1 is a right side view of my new watch chronograph design;

FIG. 2 is a front view thereof;

FIG. 3 is a left side view thereof;

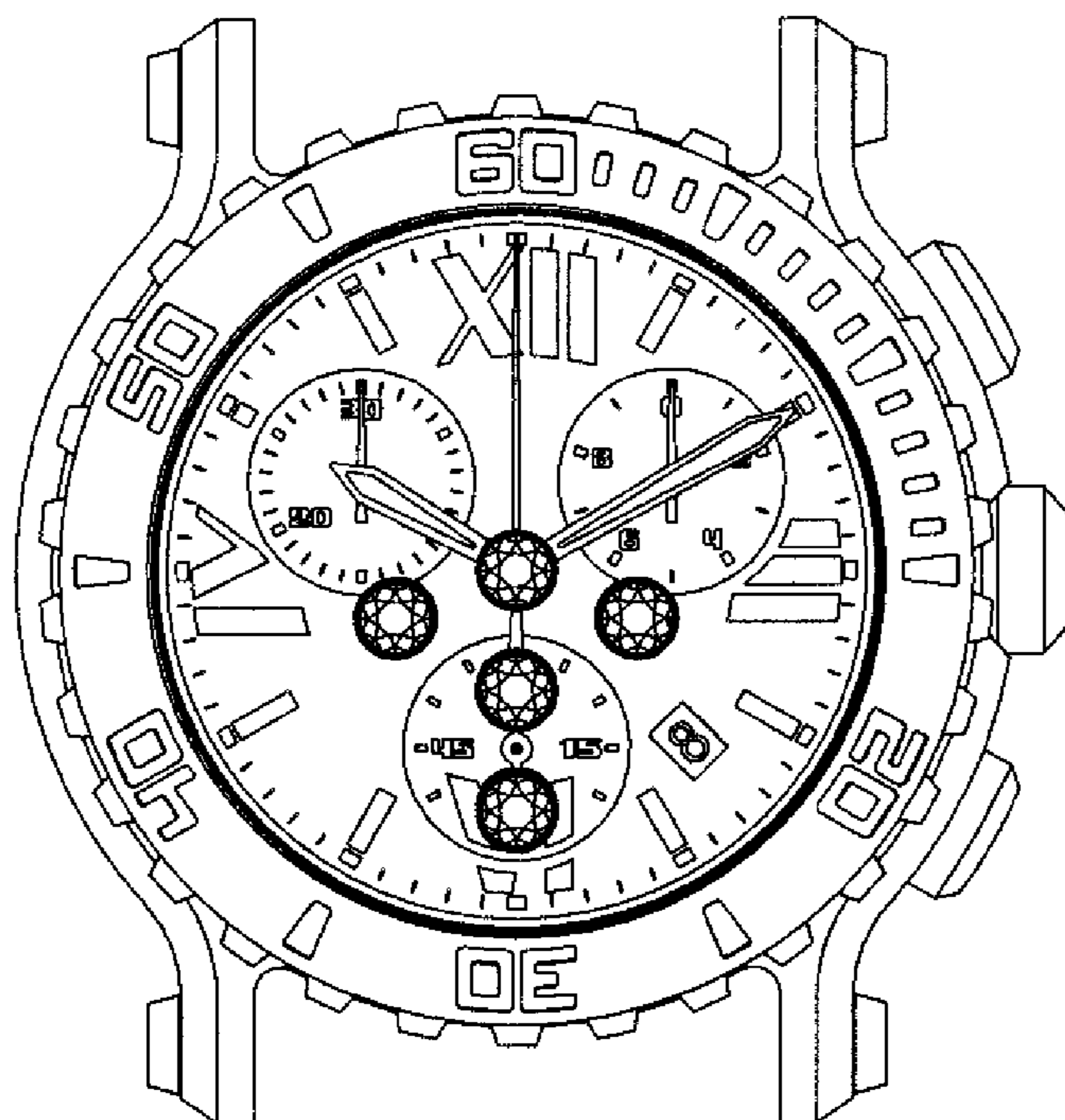
FIG. 4 is a bottom view thereof;

FIG. 5 is a rear elevation thereof;

FIG. 6 is a top plan view thereof; and,

FIG. 7 is a perspective view thereof.

1 Claim, 3 Drawing Sheets



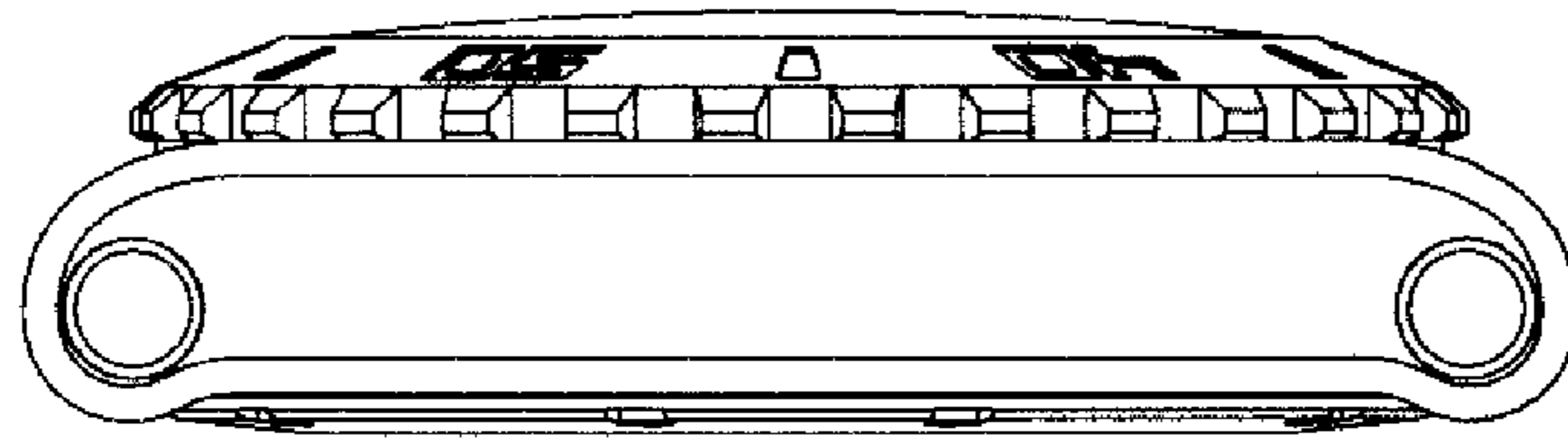


Fig. 3



Fig. 2

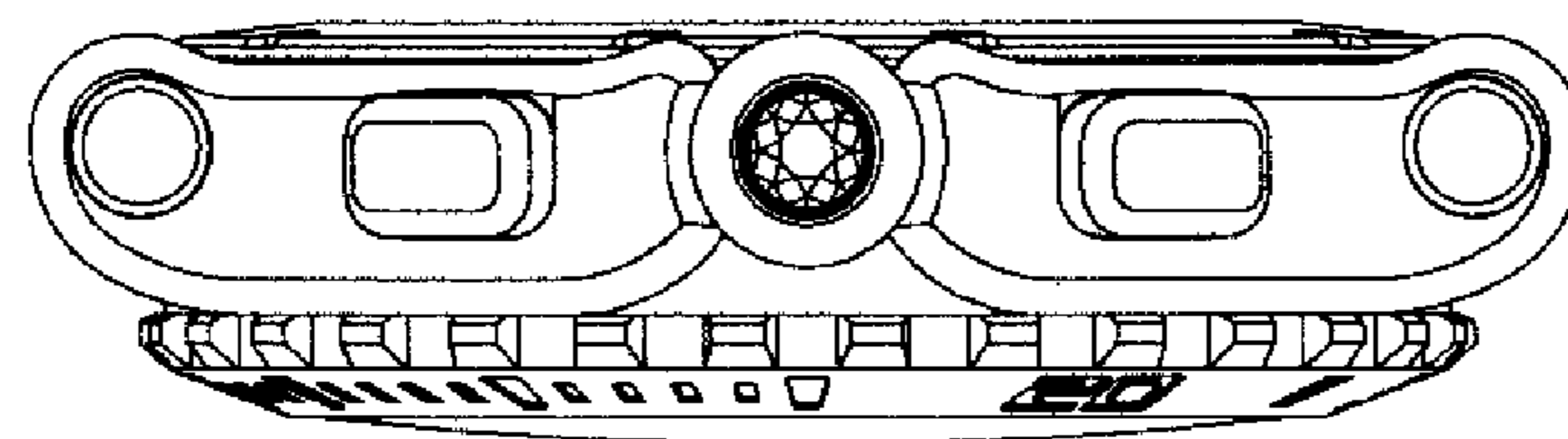


Fig. 1

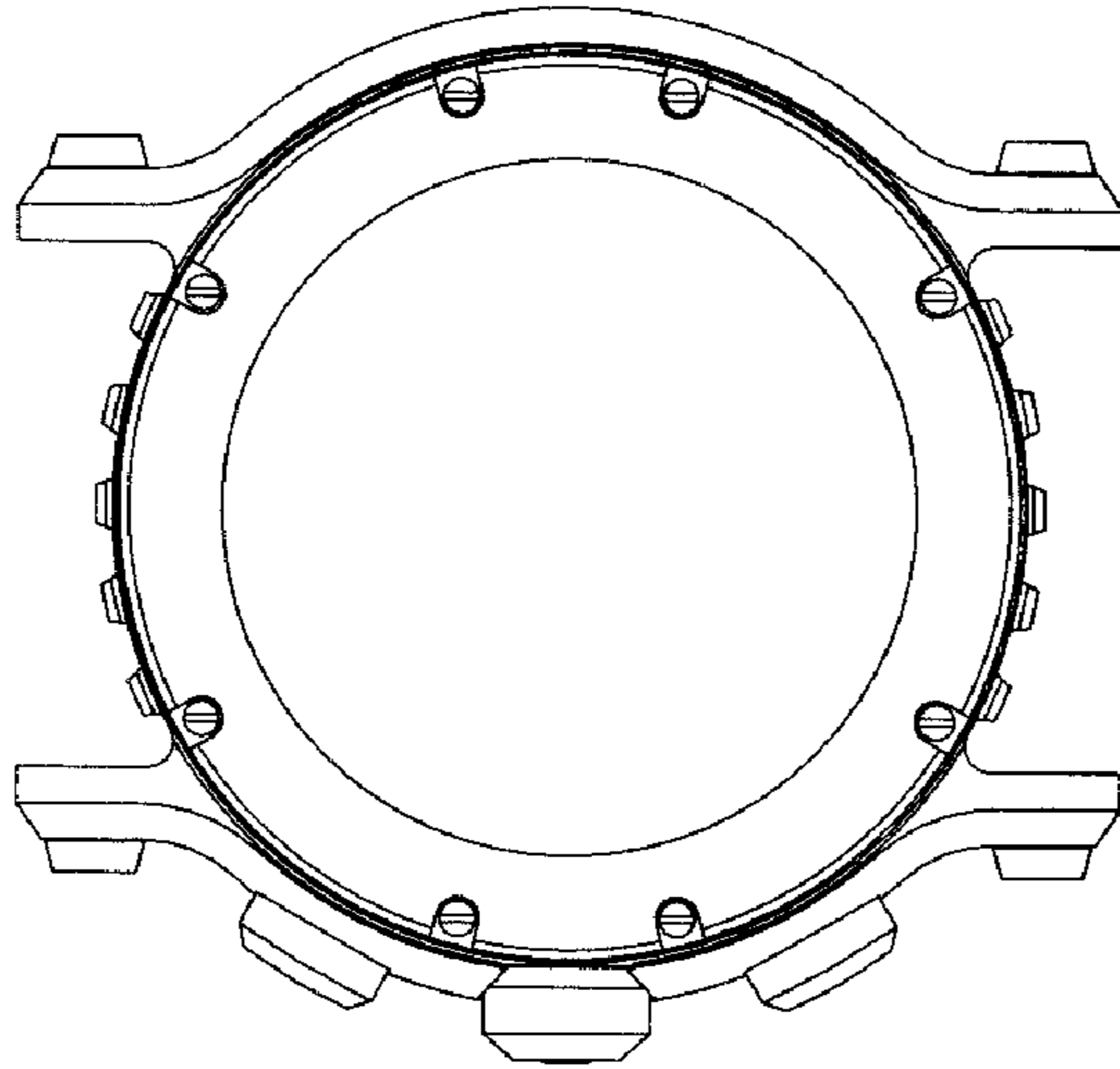


Fig. 5

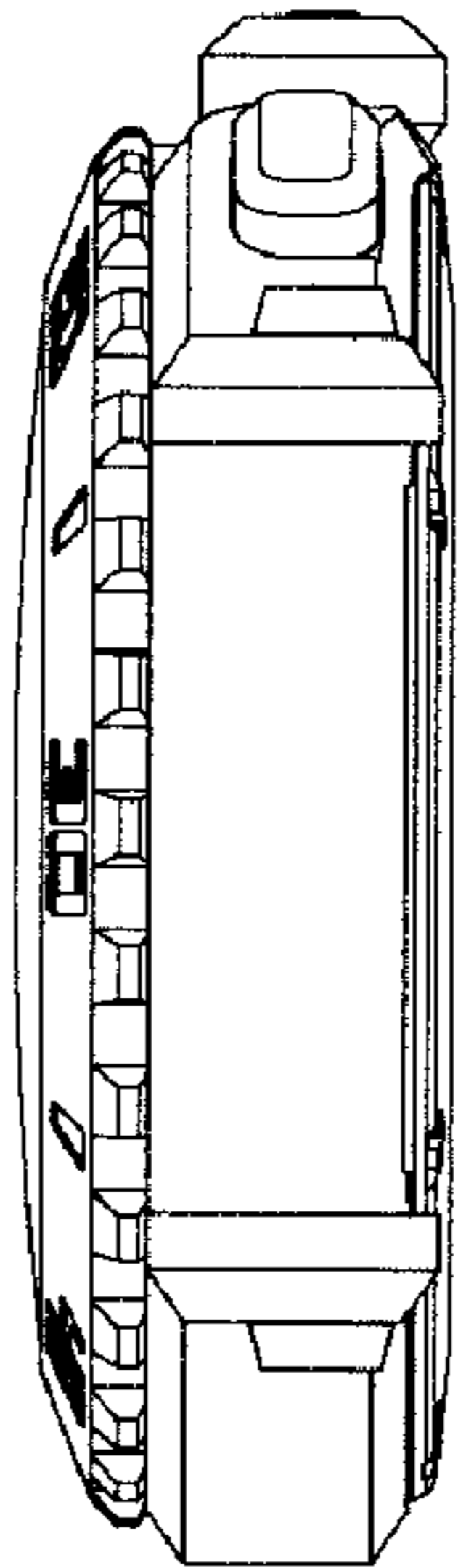


Fig. 4

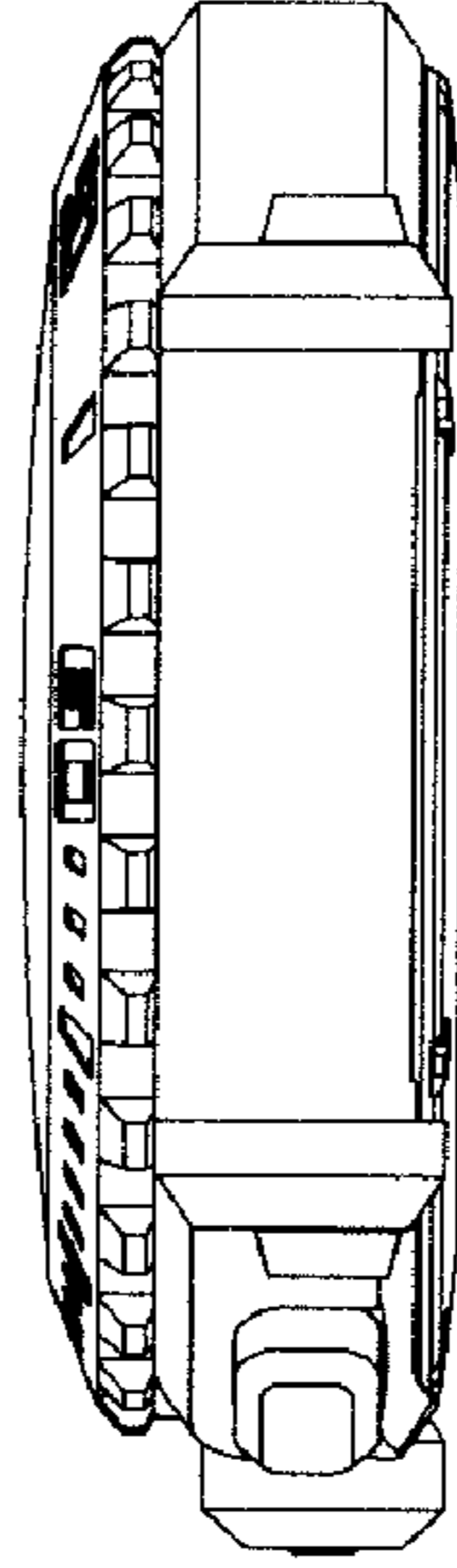


Fig. 6



Fig. 7