

US00D570711S

(12) **United States Design Patent** (10) **Patent No.:** **US D570,711 S**
Dorsz (45) **Date of Patent:** **** Jun. 10, 2008**

(54) **BRACELET WATCH**

(74) *Attorney, Agent, or Firm*—Orrick, Herrington & Sutcliffe LLP

(76) Inventor: **Edmund Dorsz**, 14967 Gardenhill Dr.,
La Mirada, CA (US) 90638

(57) **CLAIM**

(**) Term: **14 Years**

The ornamental design for a bracelet watch, as shown and described.

(21) Appl. No.: **29/219,526**

(22) Filed: **Dec. 17, 2004**

DESCRIPTION

(51) **LOC (8) Cl.** **10-02**

(52) **U.S. Cl.** **D10/32**

(58) **Field of Classification Search** D10/30–39,
D10/122–132; 368/276–278, 281–283, 285,
368/21, 223, 228, 232, 319; D11/3, 4, 5,
D11/12; 63/3, 3.1, 3.2, 7–9; 224/164, 174,
224/179

See application file for complete search history.

FIG. 1 is a front elevation of a first embodiment of a bracelet watch showing my new design;

FIG. 2 is a bottom view thereof;

FIG. 3 is a front and left side perspective view thereof;

FIG. 4 is a front and right side perspective view thereof;

FIG. 5 is a rear elevation thereof;

FIG. 6 is a rear and right side perspective view thereof with the bracelet watch in an inverted position;

FIG. 7 is a right side elevation thereof;

FIG. 8 is a left side elevation thereof;

FIG. 9 is a bottom and right side perspective view thereof;

FIG. 10 is a front elevation of the first embodiment shown with the bracelet in an open position;

FIG. 11 is a bottom view of FIG. 10;

FIG. 12 is a front and left side perspective view of FIG. 10;

FIG. 13 is a front and right side perspective view of FIG. 10;

FIG. 14 is a rear elevation of FIG. 10;

FIG. 15 is a rear and right side perspective view of FIG. 10 shown in an inverted position;

FIG. 16 is a right side elevation of FIG. 10;

FIG. 17 is a left side elevation of FIG. 10;

FIG. 18 is a bottom and right side perspective view of FIG. 10;

FIG. 19 is a front elevation of a second embodiment of the bracelet watch;

FIG. 20 is a bottom view of the second embodiment;

FIG. 21 is a front and left side perspective view of the second embodiment;

(56) **References Cited**

U.S. PATENT DOCUMENTS

234,858	A *	11/1880	Dolloff	63/7
2,189,096	A *	2/1940	Alonge	224/170
D127,018	S *	5/1941	Fingerhut	D10/32
D148,351	S *	1/1948	Hamilton	D11/4
2,472,351	A *	6/1949	Tyler	368/282
2,820,275	A *	1/1958	Lancaster	63/9
2,952,967	A *	9/1960	Nussle	368/281
3,700,148	A *	10/1972	Lanvin	224/170
D268,332	S *	3/1983	Weil	D10/32
D285,543	S *	9/1986	Moser	D11/4
D327,437	S *	6/1992	Bulgari	D10/32
D327,438	S *	6/1992	Bulgari	D10/32
D371,745	S *	7/1996	Wunderman	D10/32
D388,333	S *	12/1997	Wunderman	D10/32
D396,651	S *	8/1998	Wunderman	D10/32
D413,531	S *	9/1999	Philippe	D10/32
D415,697	S *	10/1999	Kaneko	D10/32
D434,335	S *	11/2000	Amstutz	D10/32
D519,396	S *	4/2006	Migliorati	D11/4

* cited by examiner

Primary Examiner—Lucy Lieberman

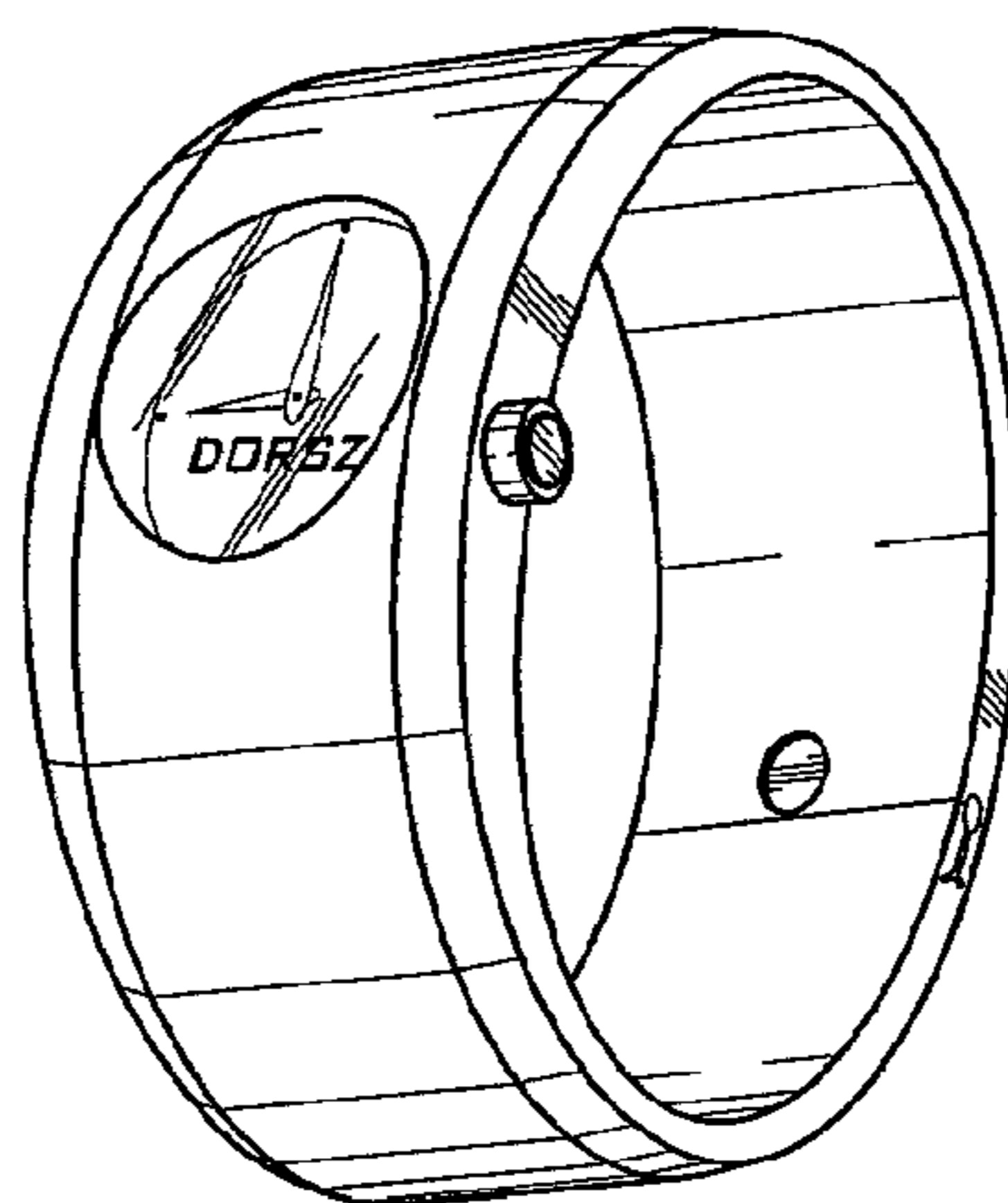


FIG. 22 is a front and right side perspective view of the second embodiment;

FIG. 23 is a rear elevation of the second embodiment;

FIG. 24 is a rear and right side perspective view of the second embodiment shown in an inverted position;

FIG. 25 is a right side elevation of the second embodiment;

FIG. 26 is a left side elevation of the second embodiment;

FIG. 27 is a bottom and right side perspective view of the second embodiment;

FIG. 28 is a front elevation of the second embodiment shown with the bracelet in an open position;

FIG. 29 is a bottom view of FIG. 28;

FIG. 30 is a front and left side perspective view of FIG. 28;

FIG. 31 is a front and right side perspective view of FIG. 28;

FIG. 32 is a rear elevation of FIG. 28;

FIG. 33 is a rear and right side perspective view of FIG. 28 shown in an inverted position;

FIG. 34 is a right side elevation of FIG. 28;

FIG. 35 is a left side elevation of FIG. 28;

FIG. 36 is a bottom and right side perspective view of FIG. 28;

FIG. 37 is a front elevation of a third embodiment of the bracelet watch;

FIG. 38 is a bottom view of the third embodiment;

FIG. 39 is a front and left side perspective view of the third embodiment;

FIG. 40 is a front and right side perspective view of the third embodiment;

FIG. 41 is a rear view of the third embodiment;

FIG. 42 is a rear and right side perspective view of the third embodiment shown in an inverted position;

FIG. 43 is a right side elevation of the third embodiment;

FIG. 44 is a left side elevation of the third embodiment;

FIG. 45 is a bottom and right side perspective view of the third embodiment;

FIG. 46 is a front elevation of the third embodiment shown with the bracelet in an open position;

FIG. 47 is a bottom view of FIG. 46;

FIG. 48 is a front and left side perspective view of FIG. 46;

FIG. 49 is a front and right side perspective view of FIG. 46;

FIG. 50 is a rear elevation of FIG. 46;

FIG. 51 is a rear and right side perspective view of FIG. 46 shown with the bracelet watch in an inverted position;

FIG. 52 is a right side elevation of FIG. 46;

FIG. 53 is a left side elevation of FIG. 46; and,

FIG. 54 is a bottom and right side perspective view of FIG. 46.

The views in the drawings are shown on different scales.

1 Claim, 54 Drawing Sheets

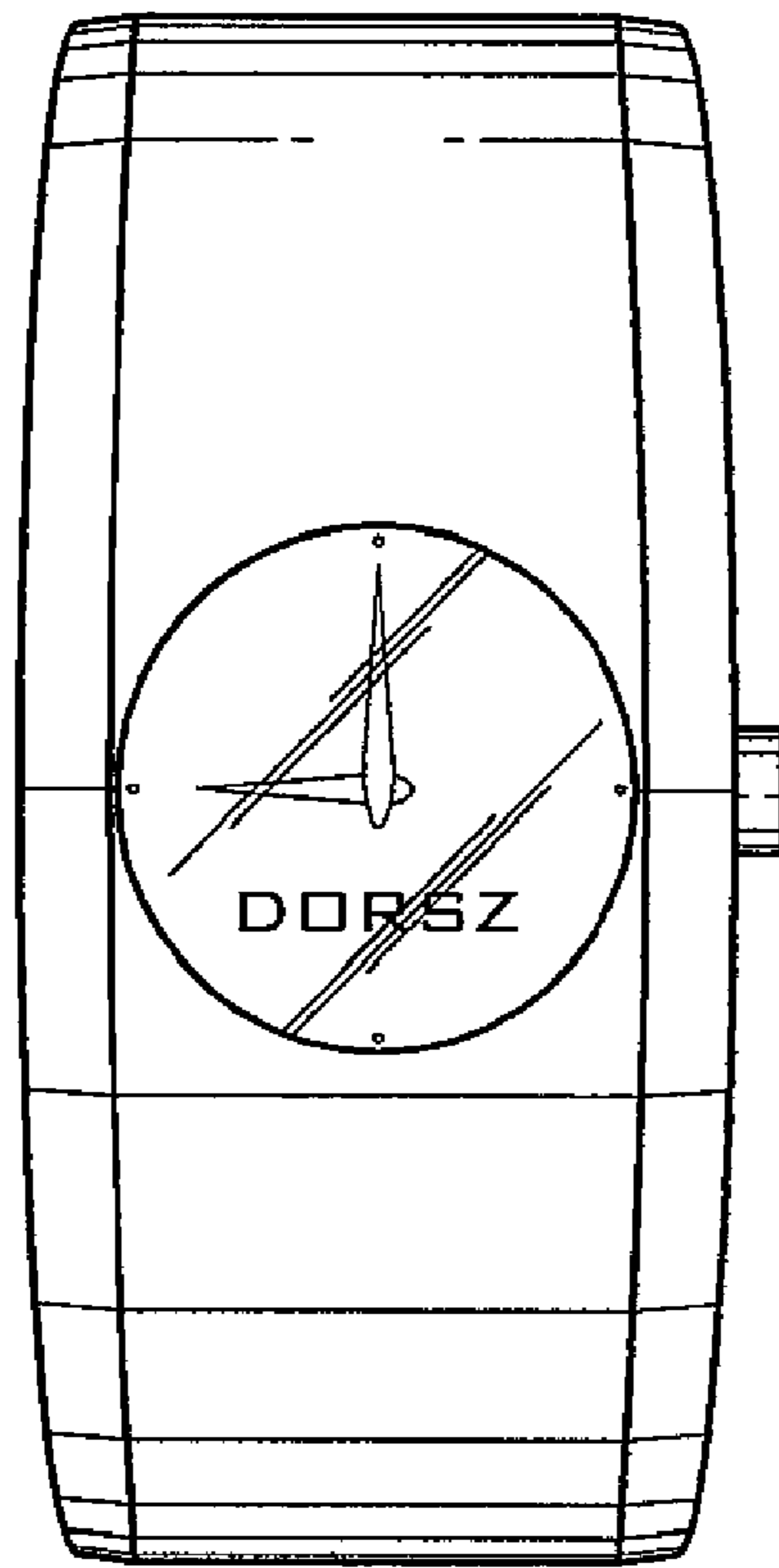


FIG. 1

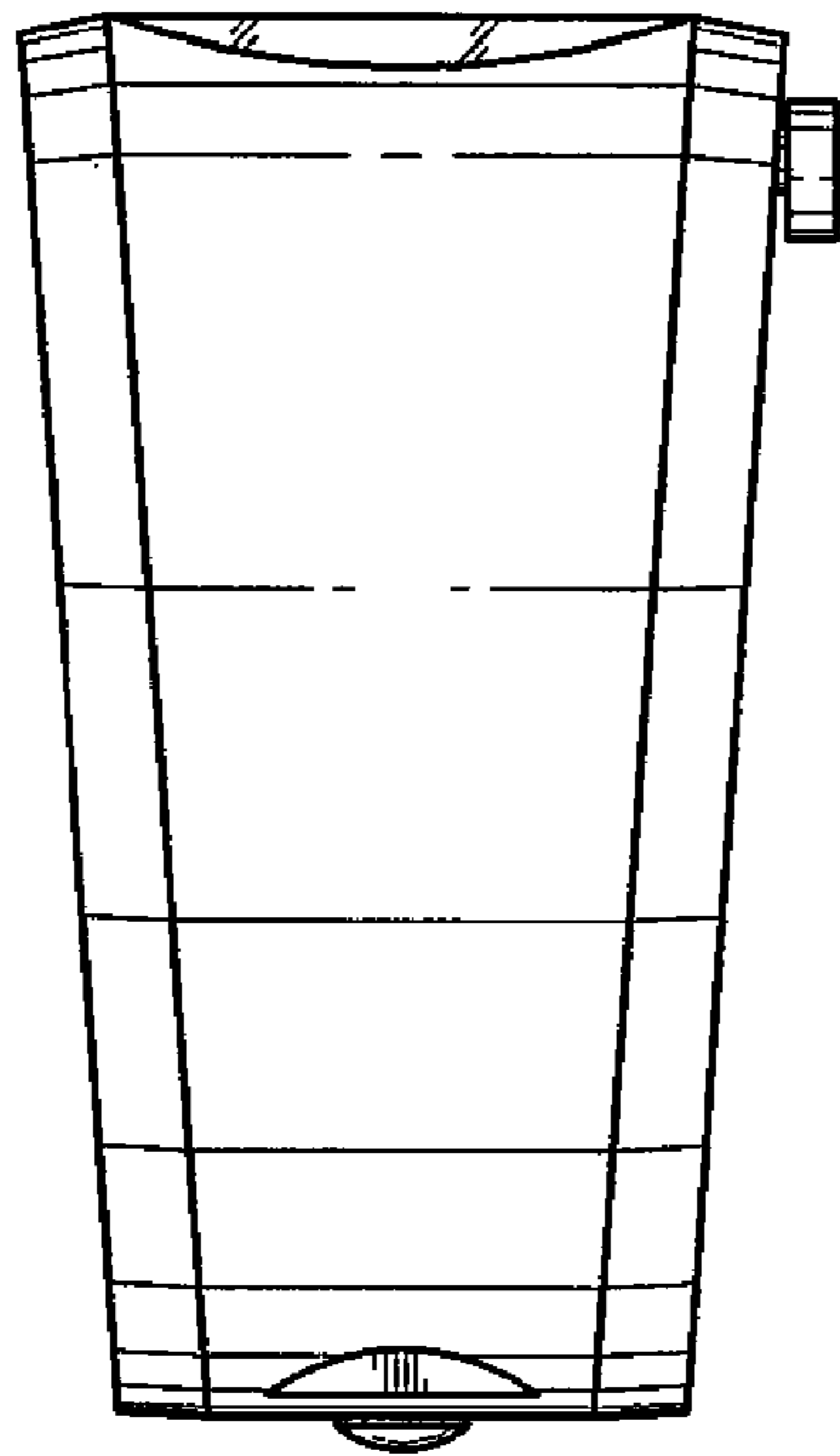


FIG. 2

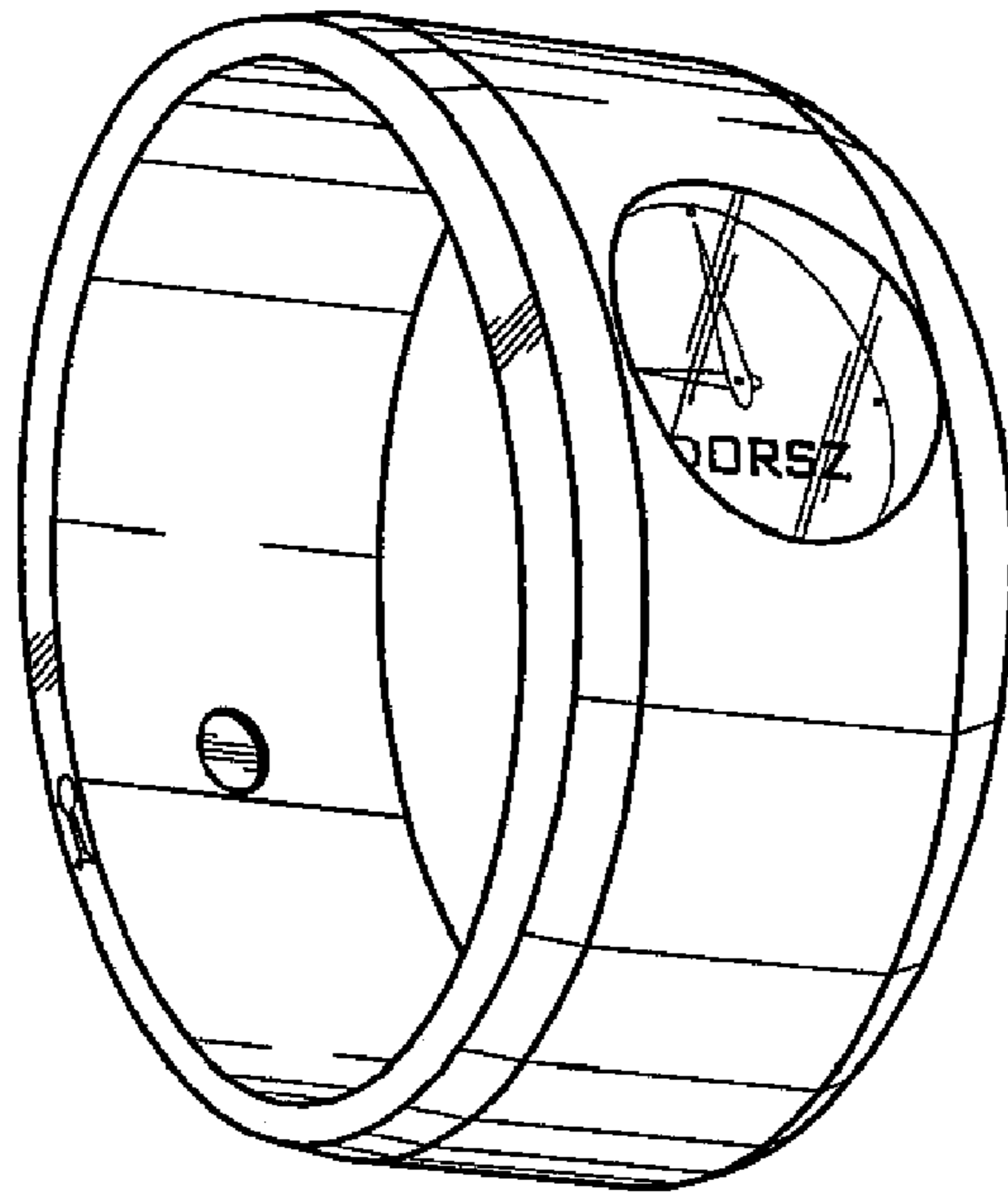


FIG. 3

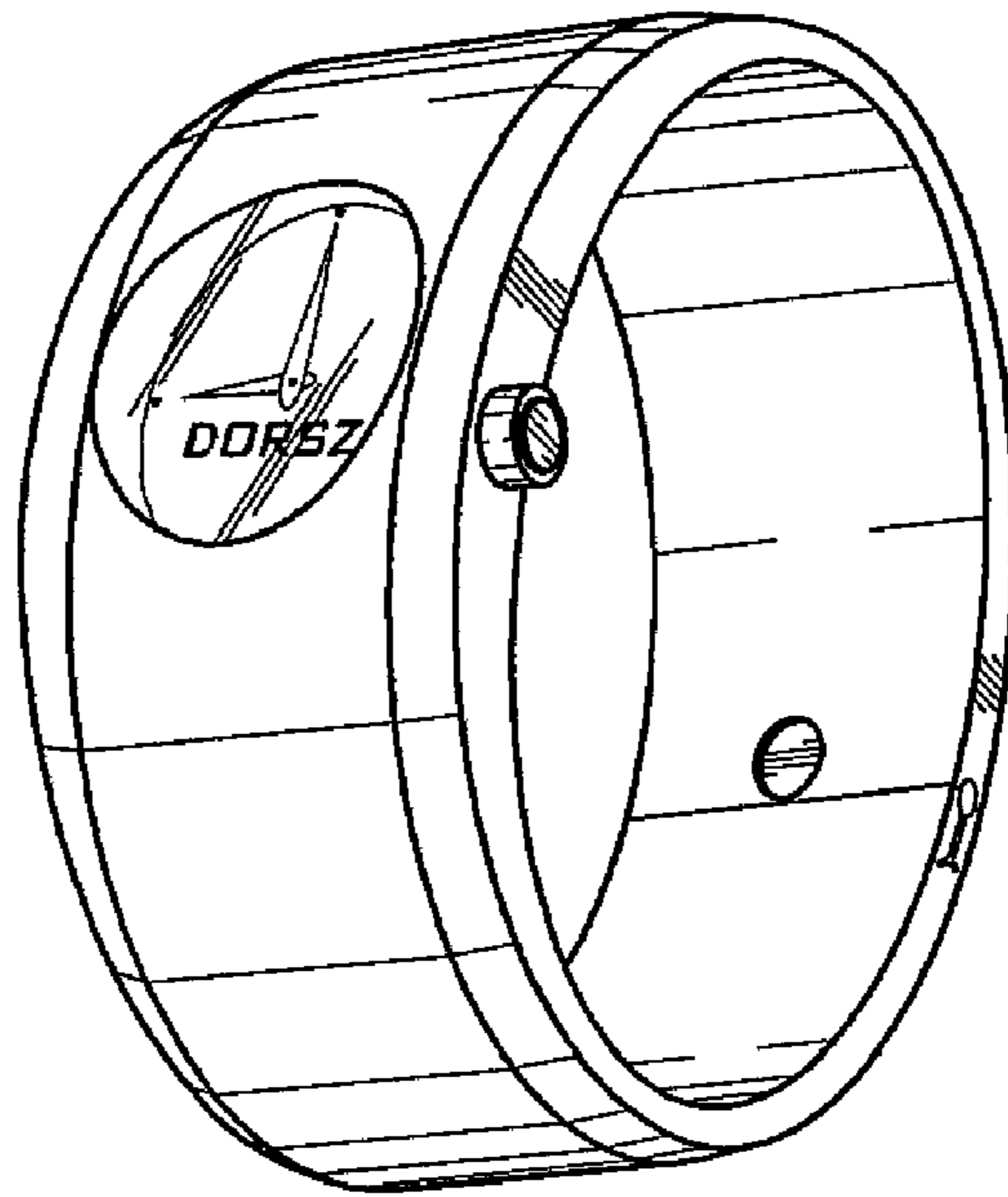


FIG. 4

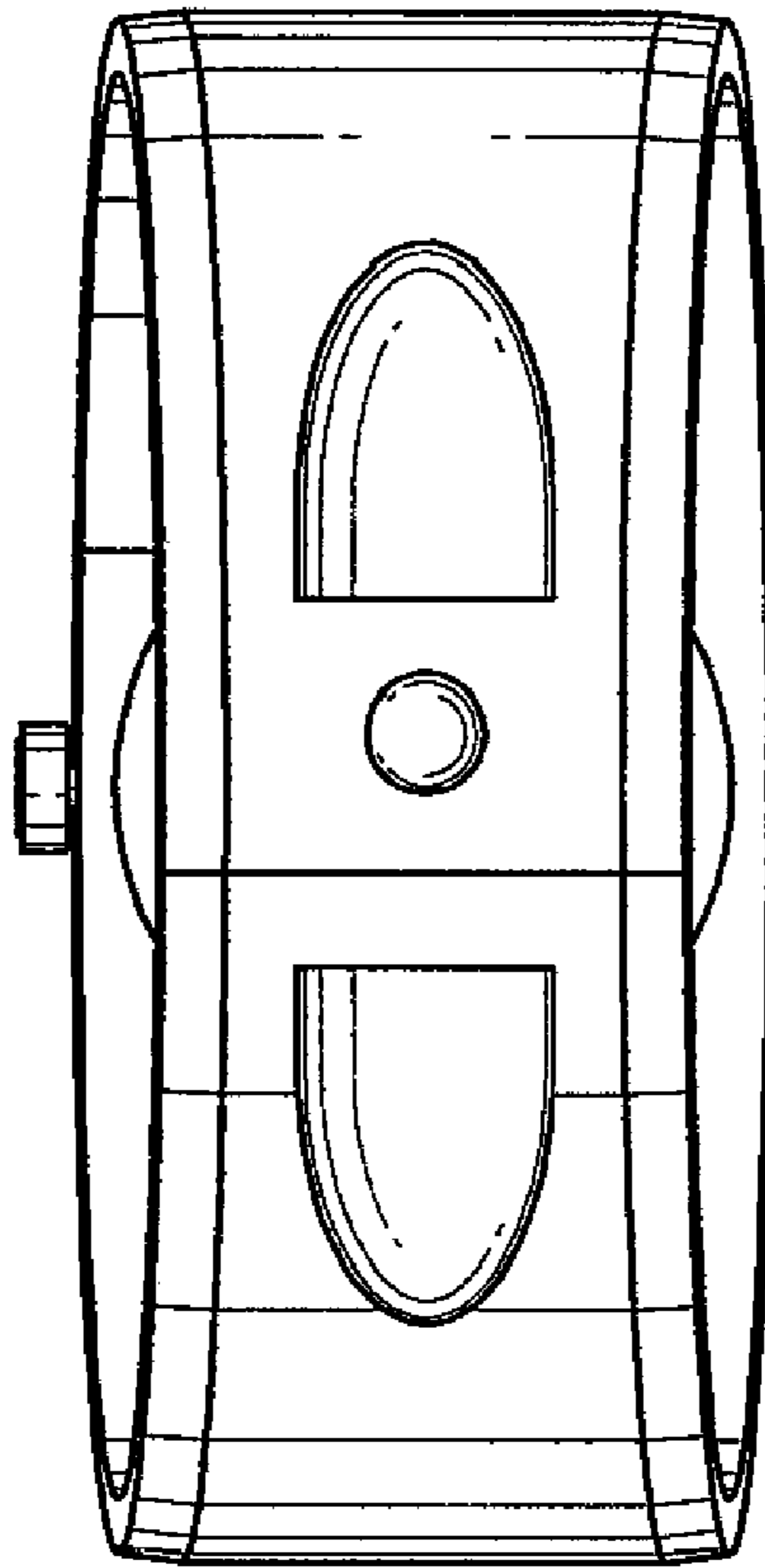


FIG. 5

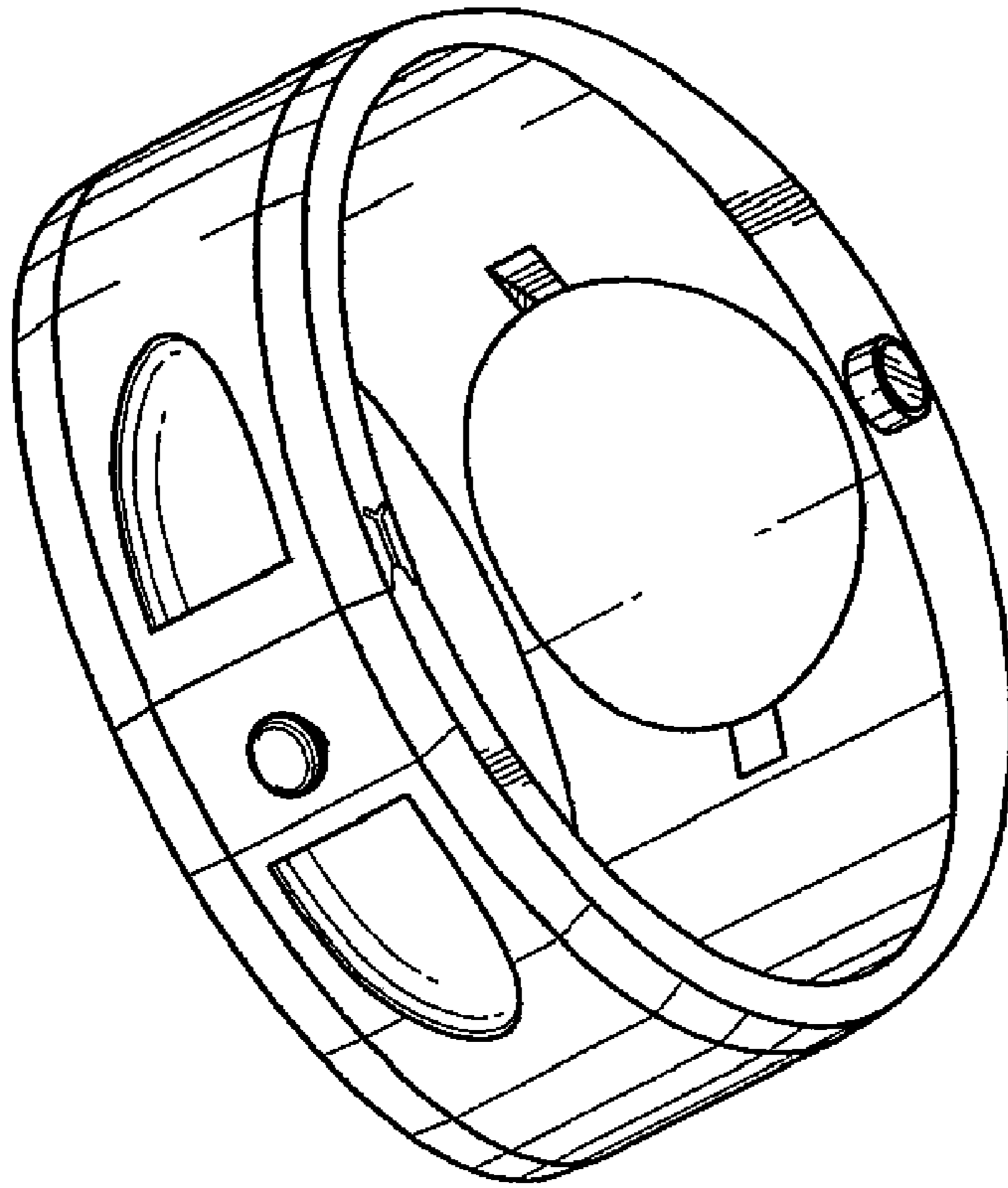


FIG. 6

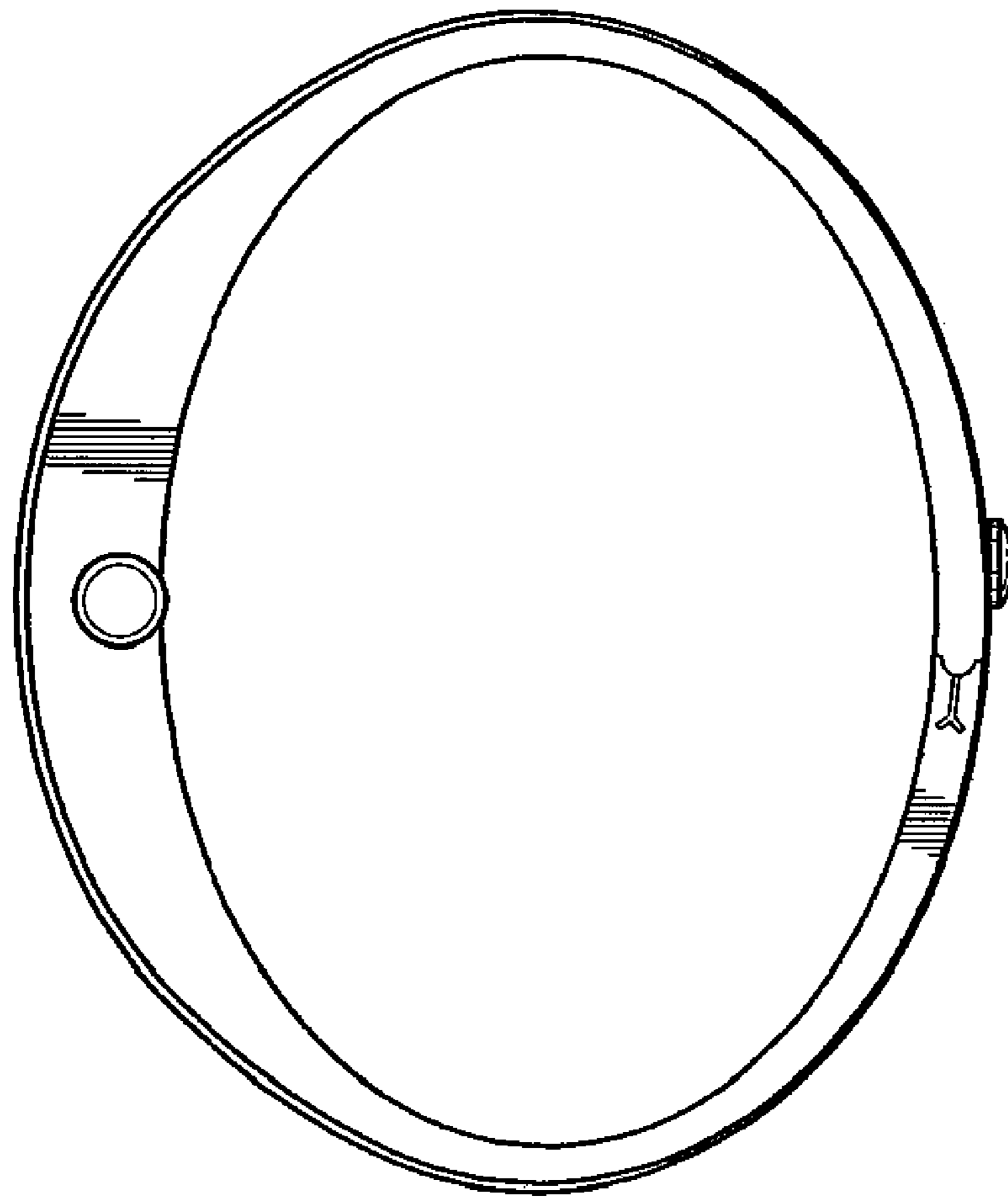


FIG. 7

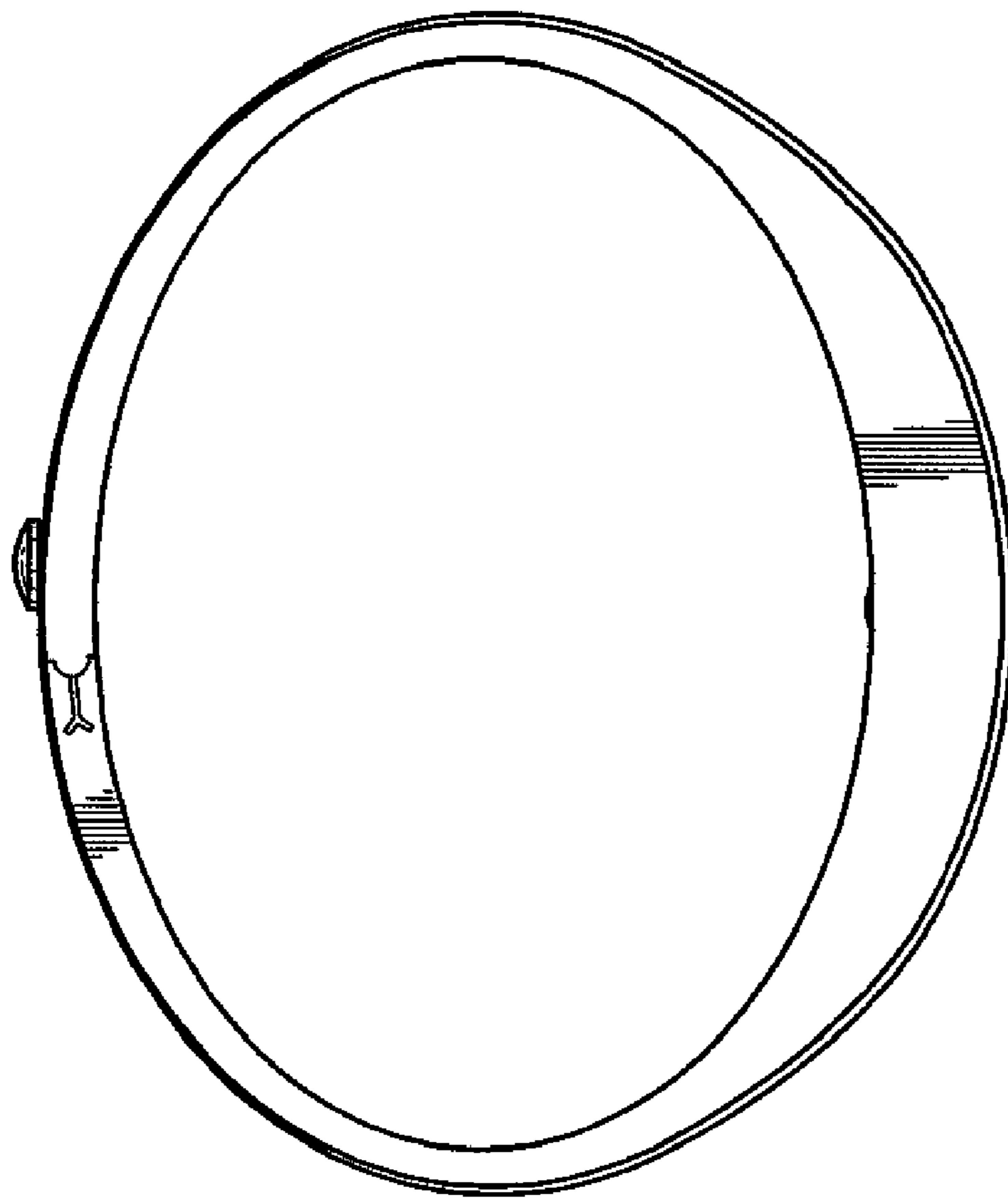


FIG. 8

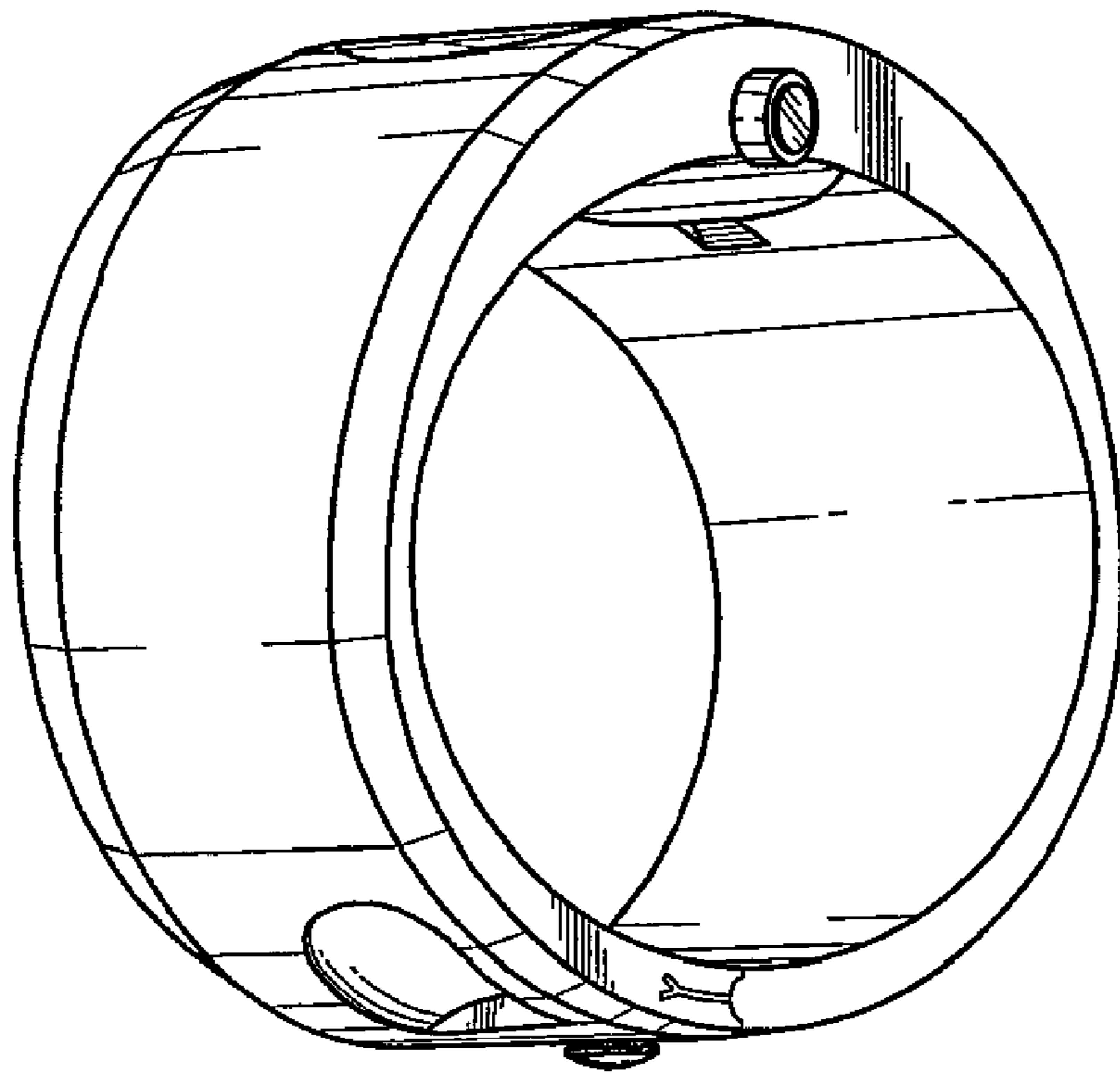


FIG. 9

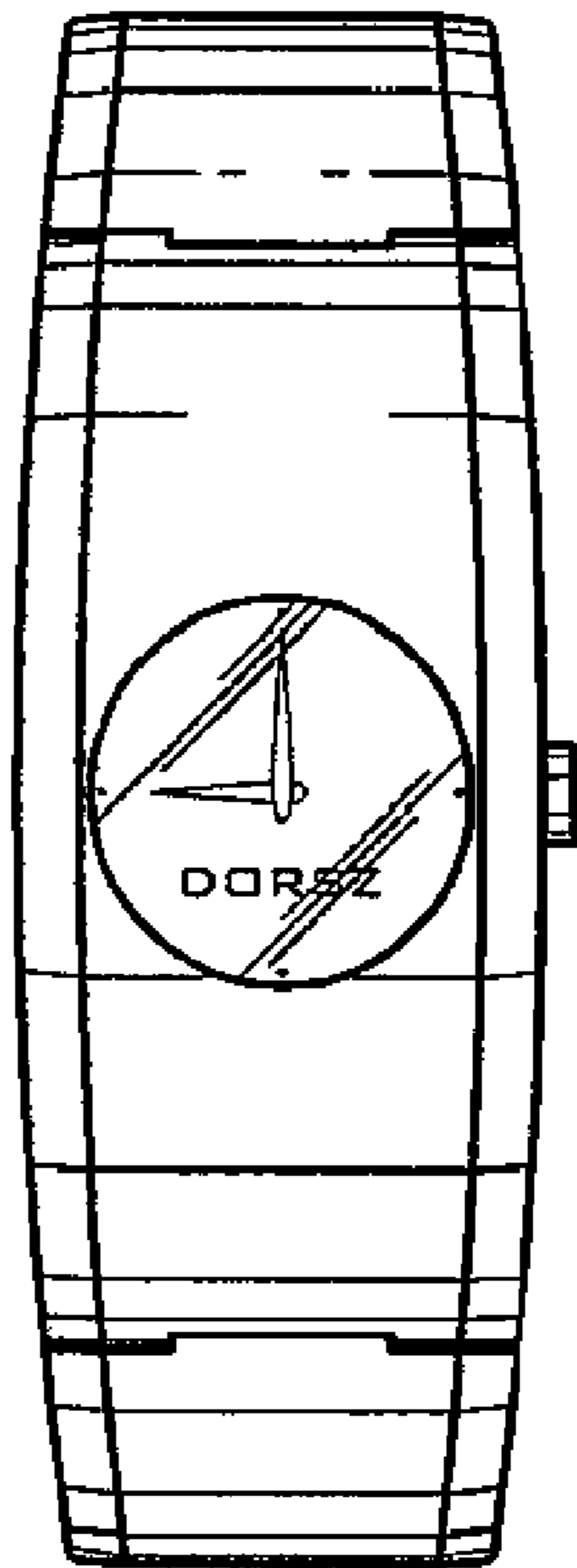


FIG. 10

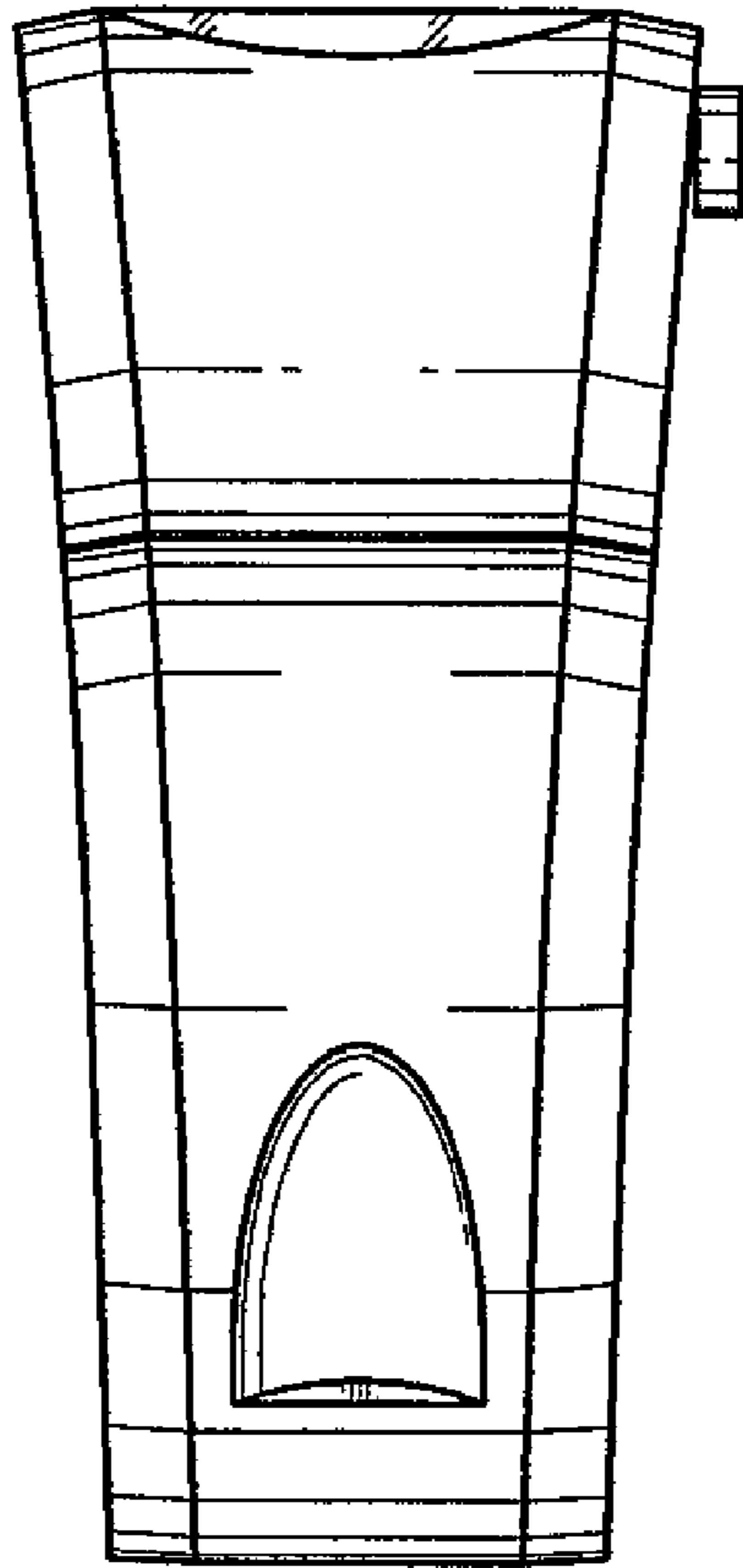


FIG. 11

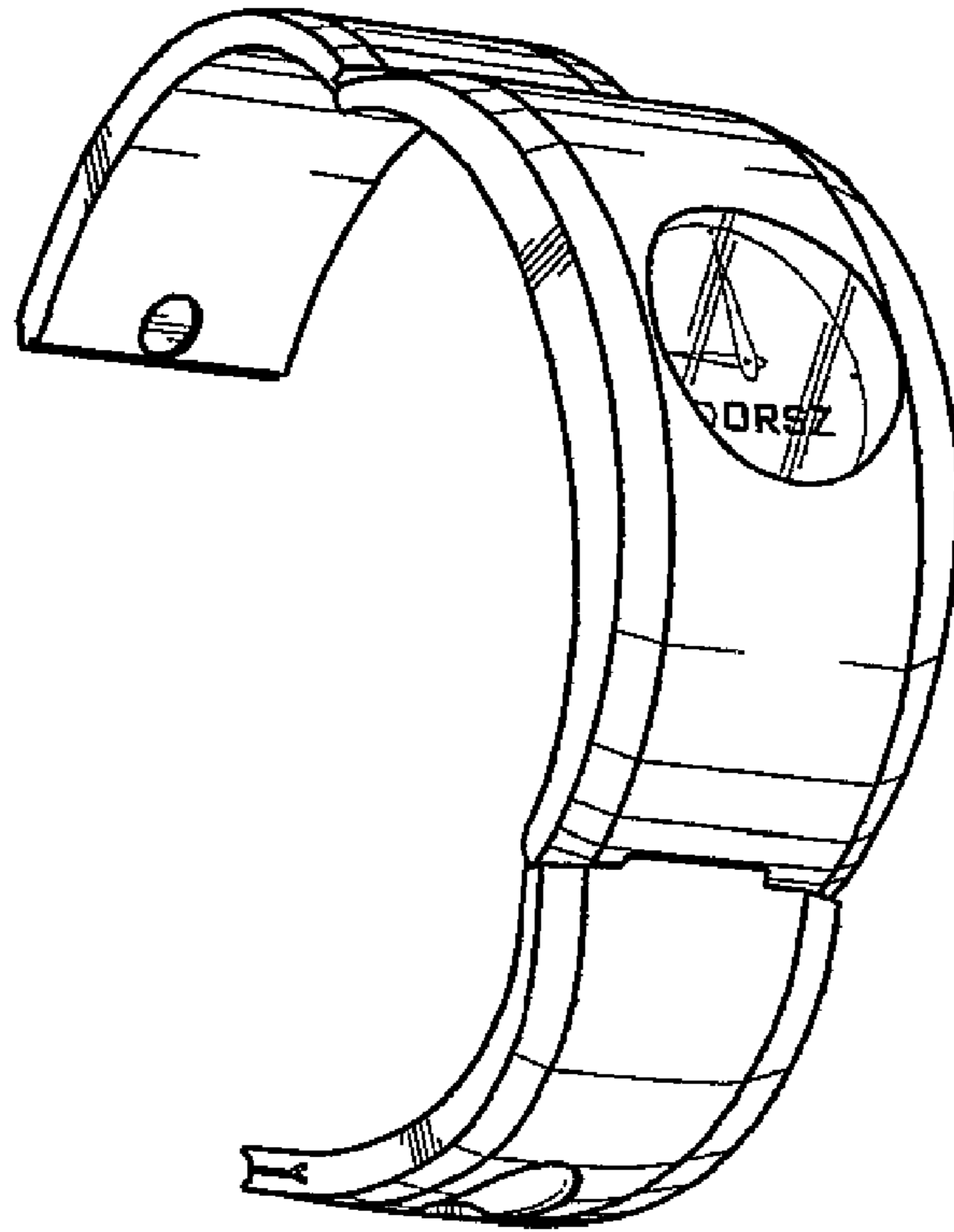


FIG. 12

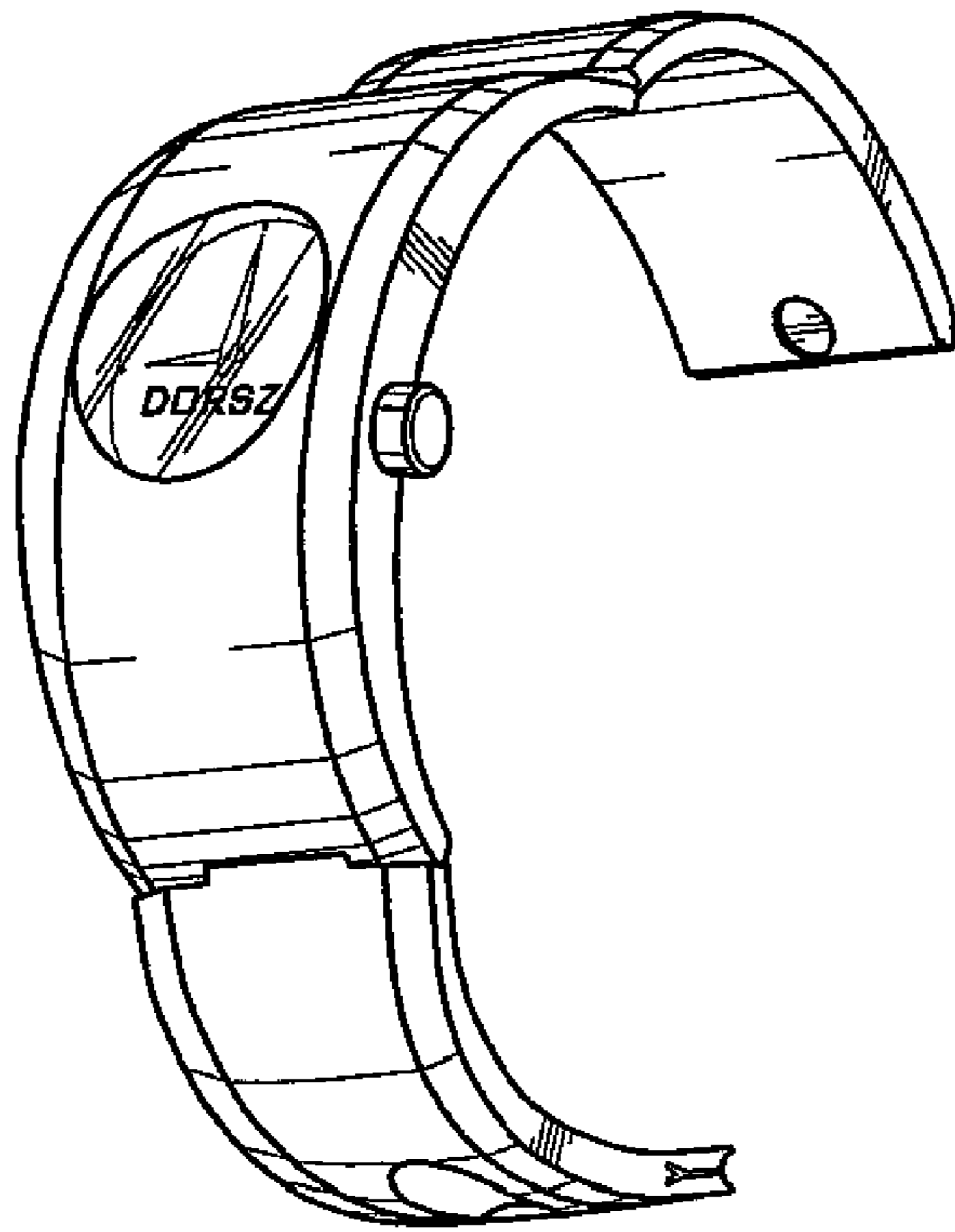


FIG. 13

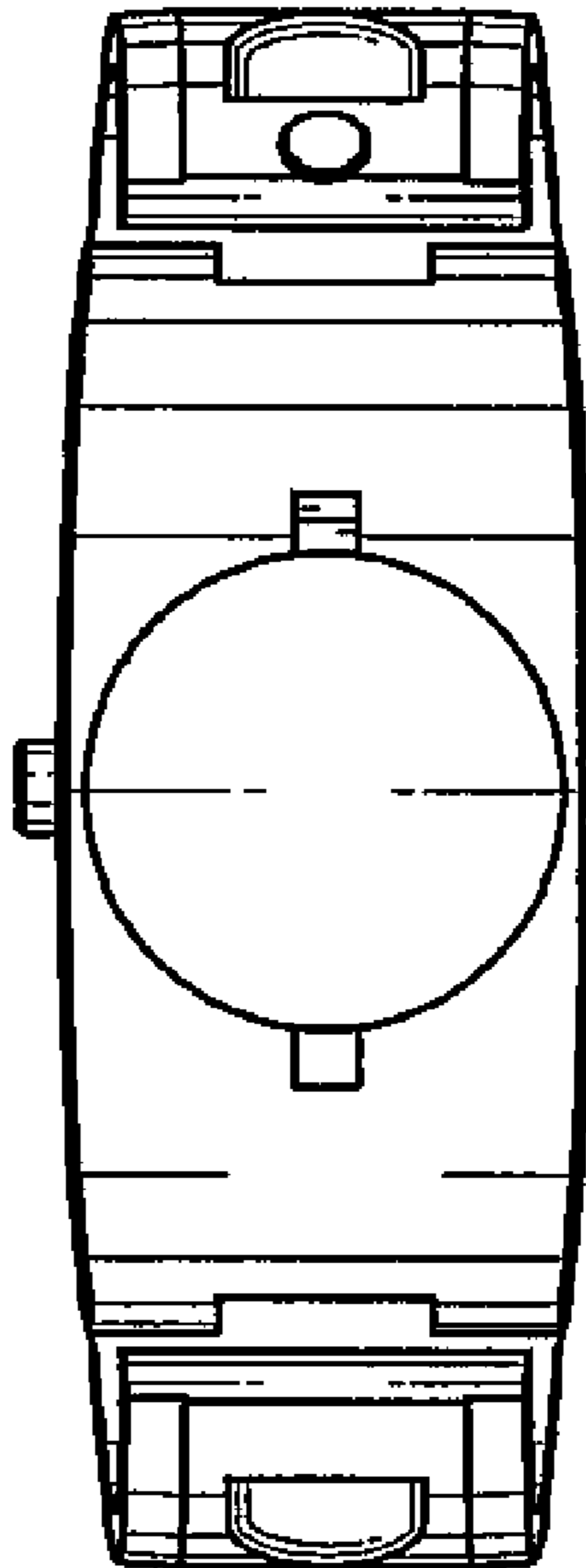


FIG. 14

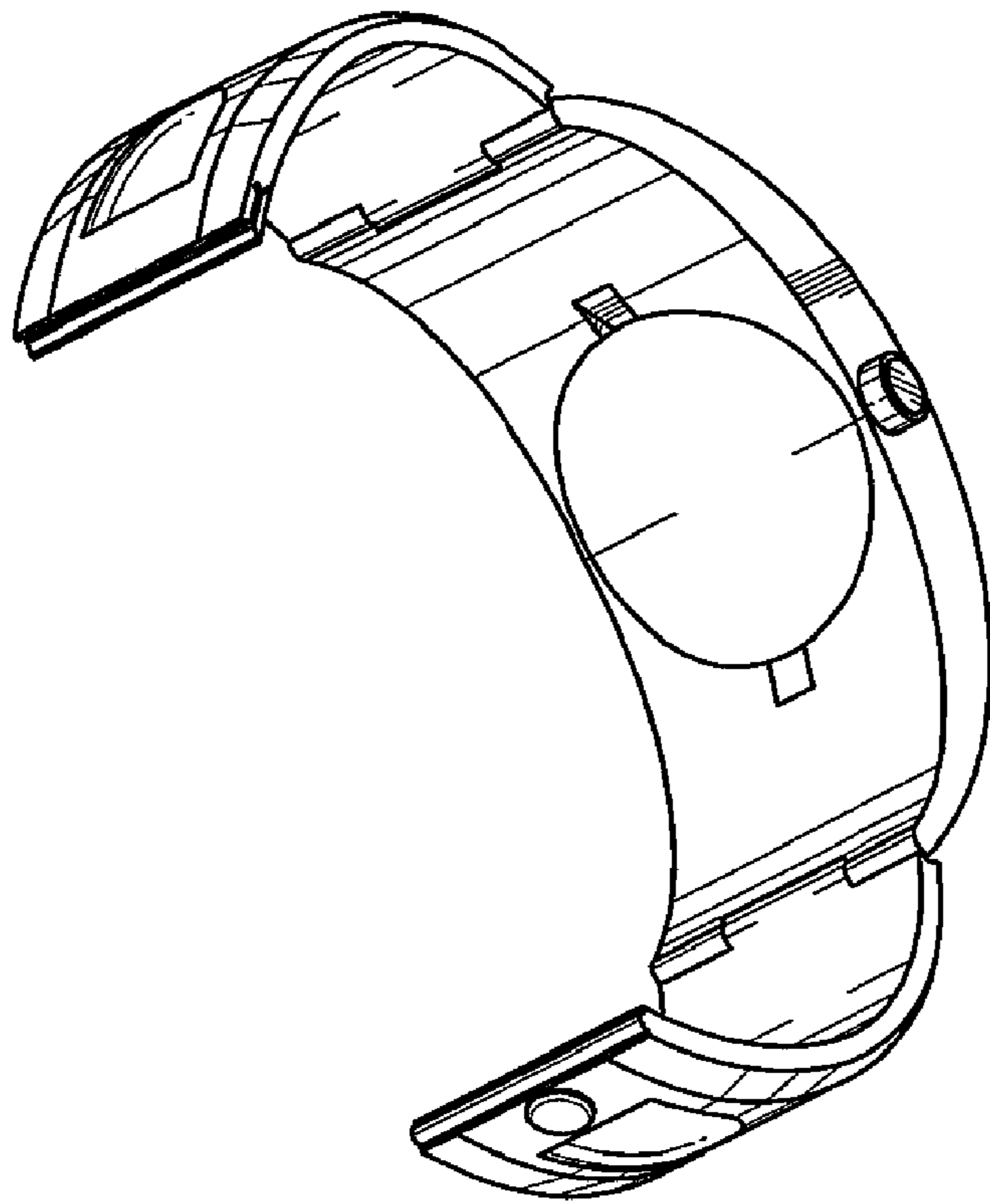


FIG. 15

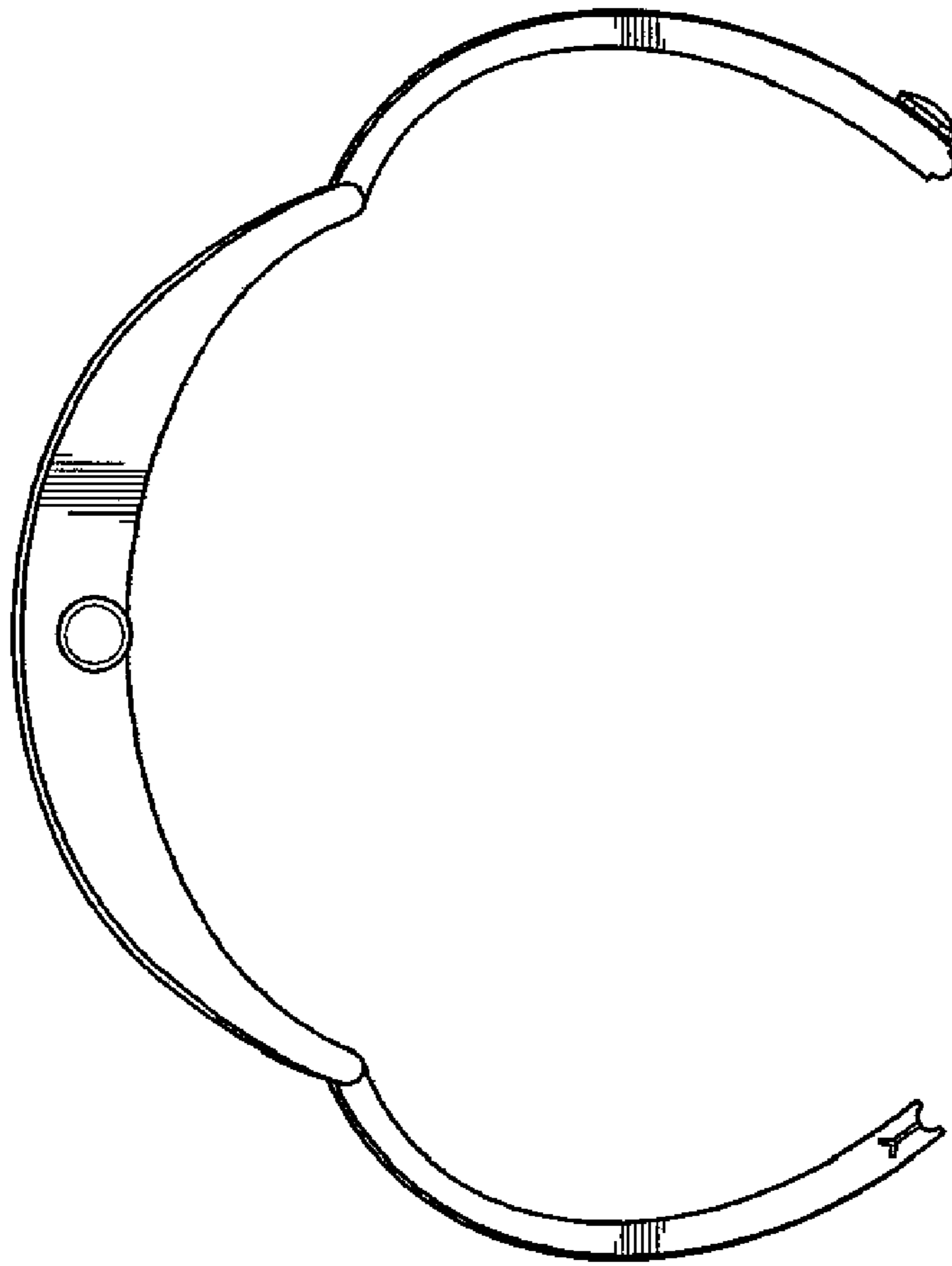


FIG. 16

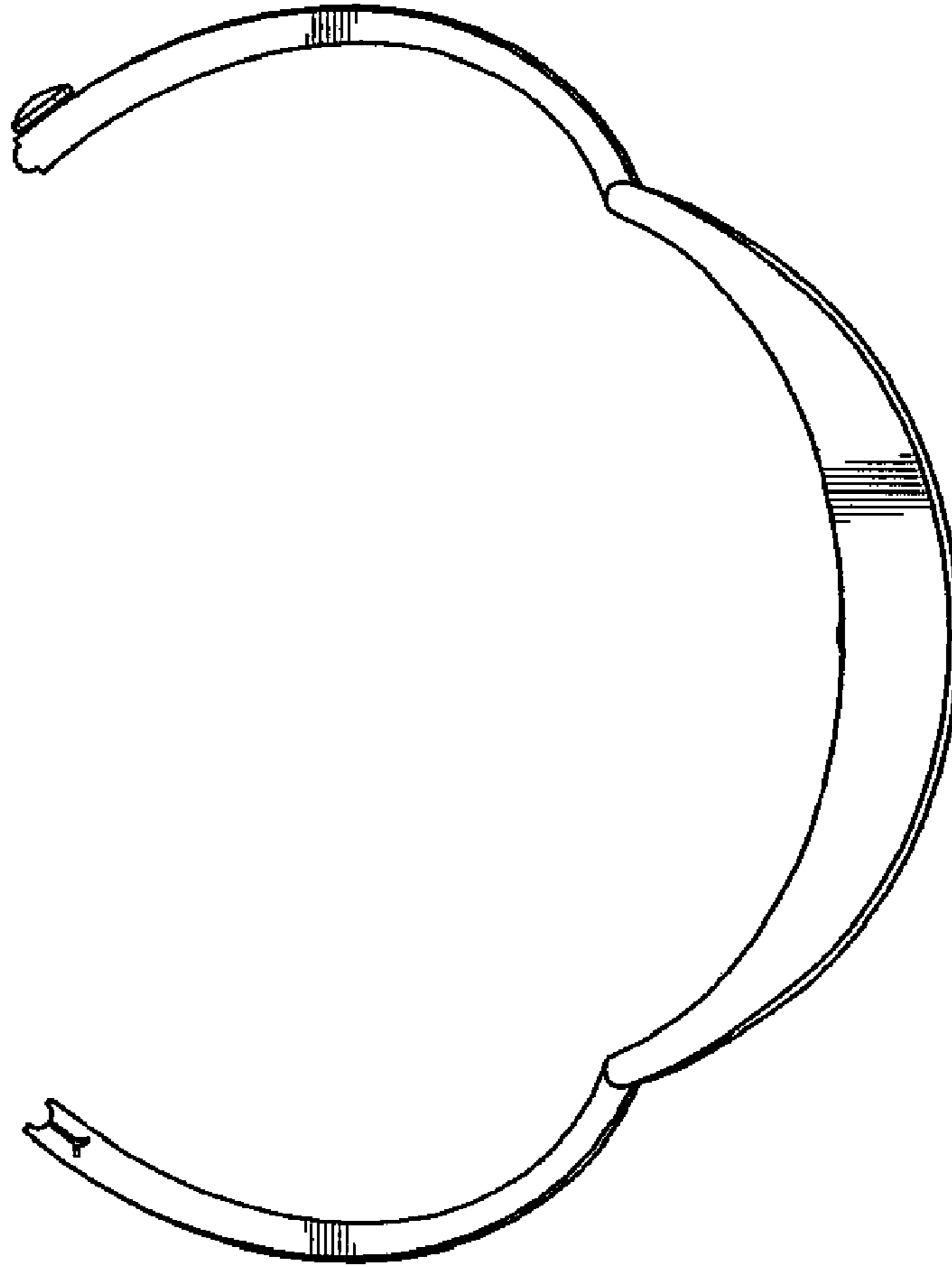


FIG. 17

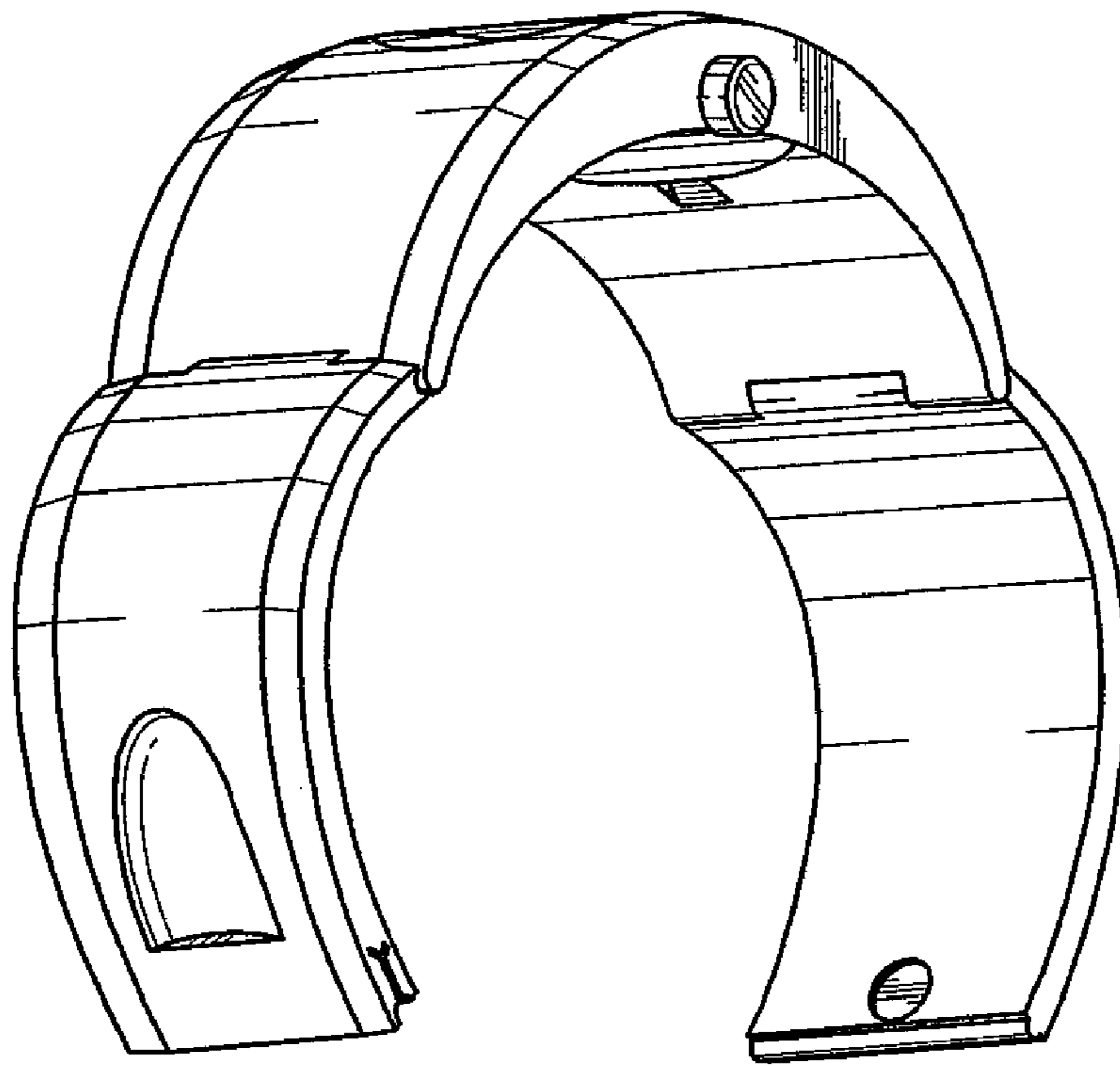


FIG. 18

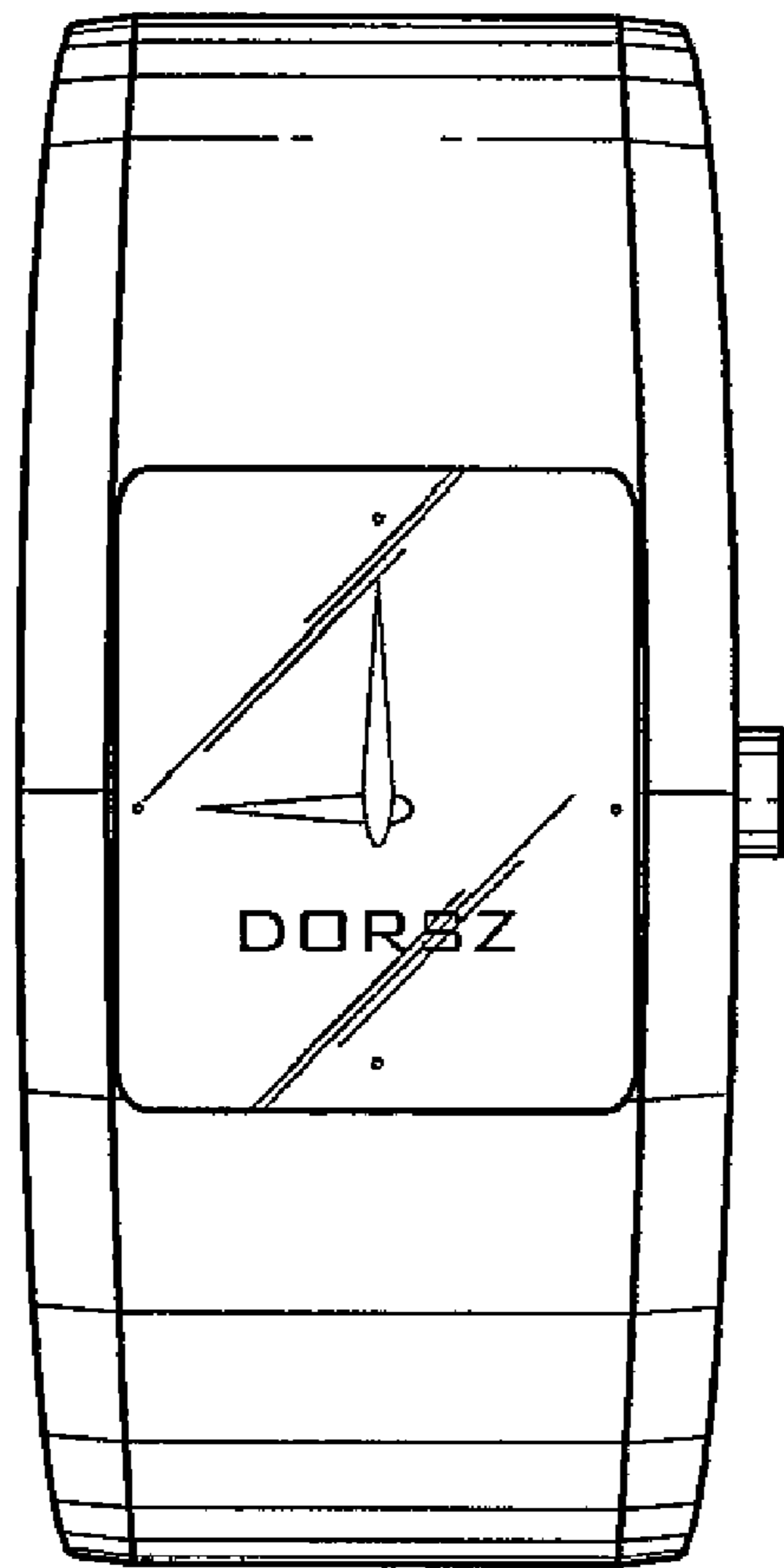


FIG. 19

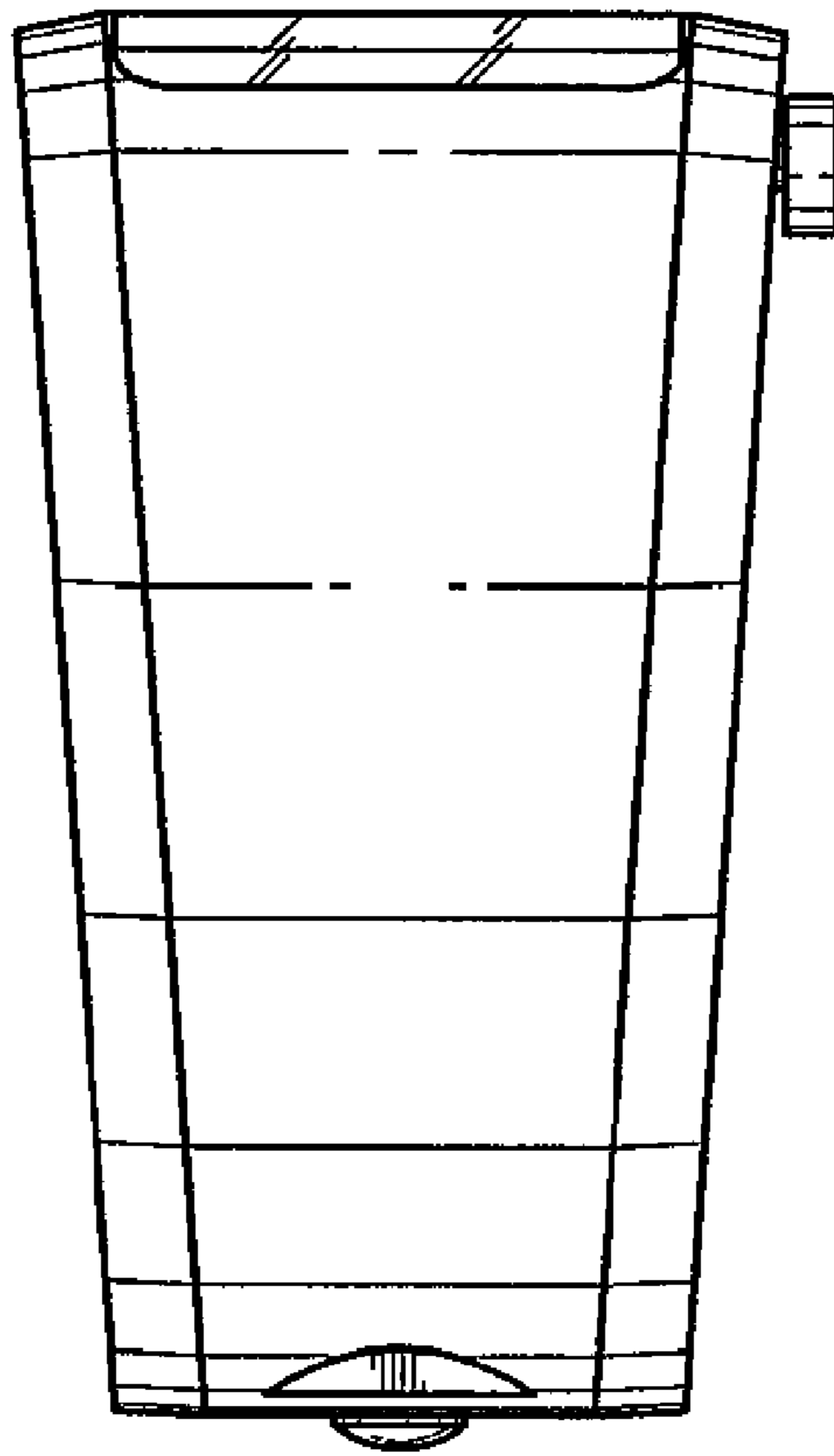


FIG. 20

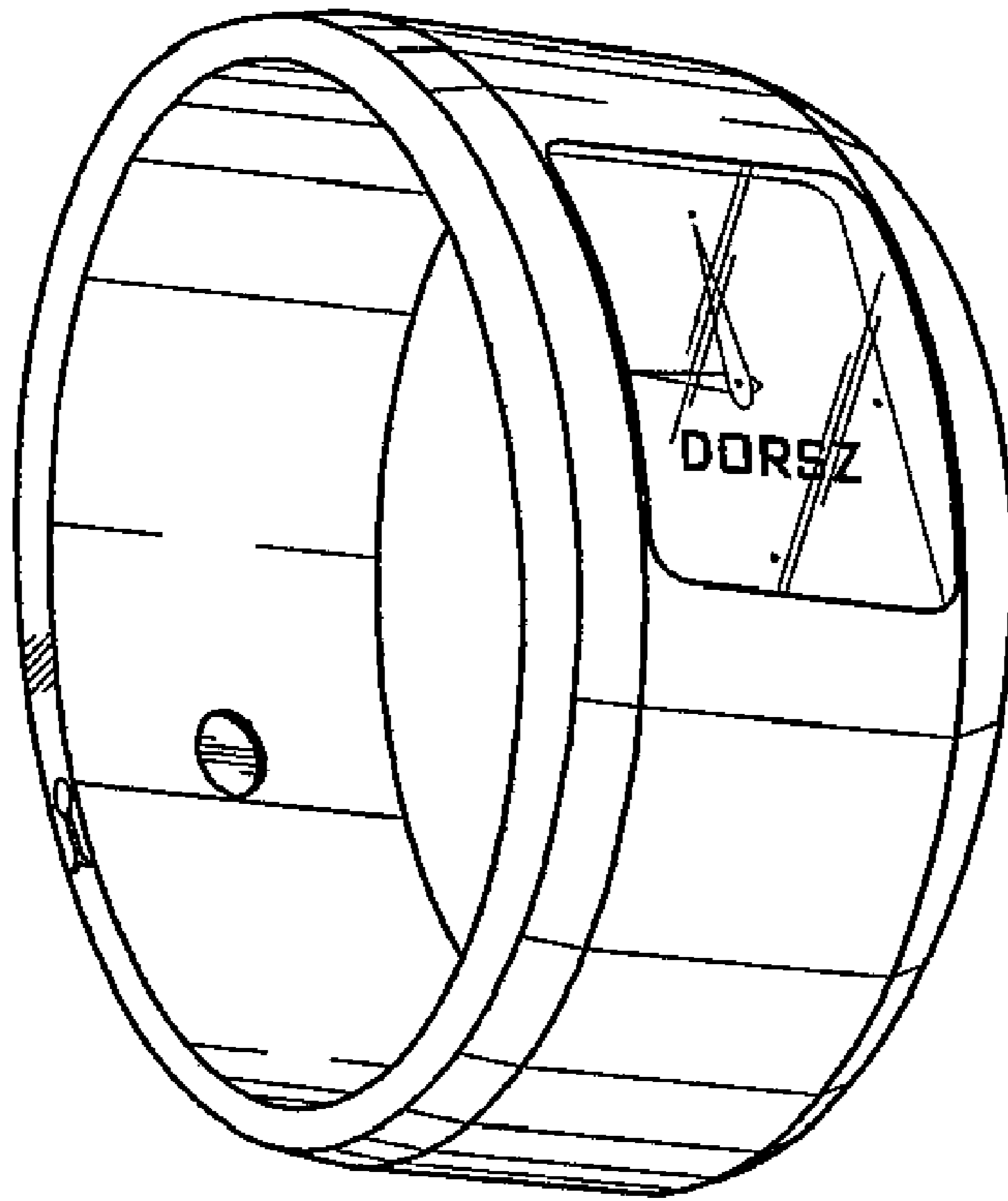


FIG. 21

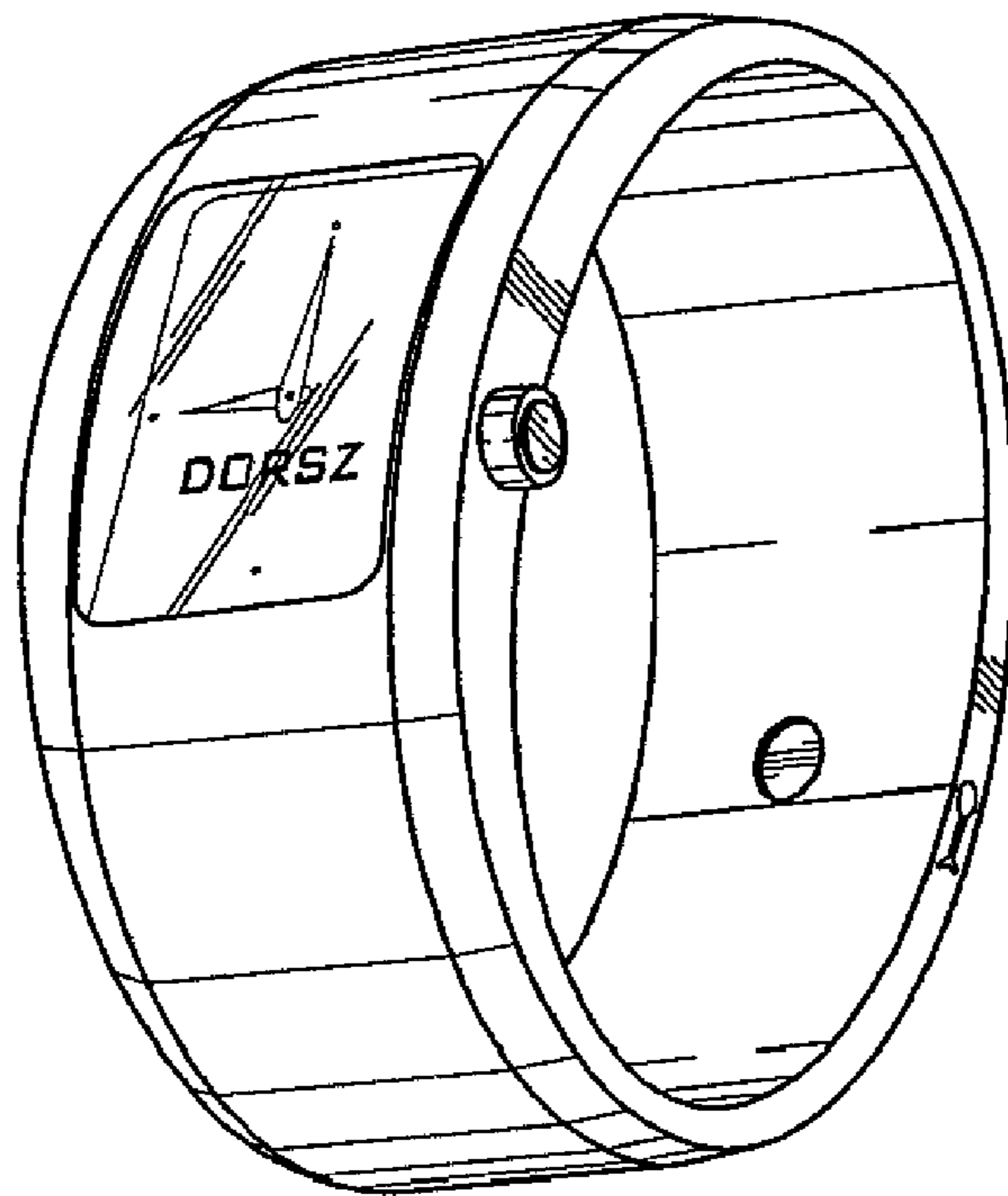


FIG. 22

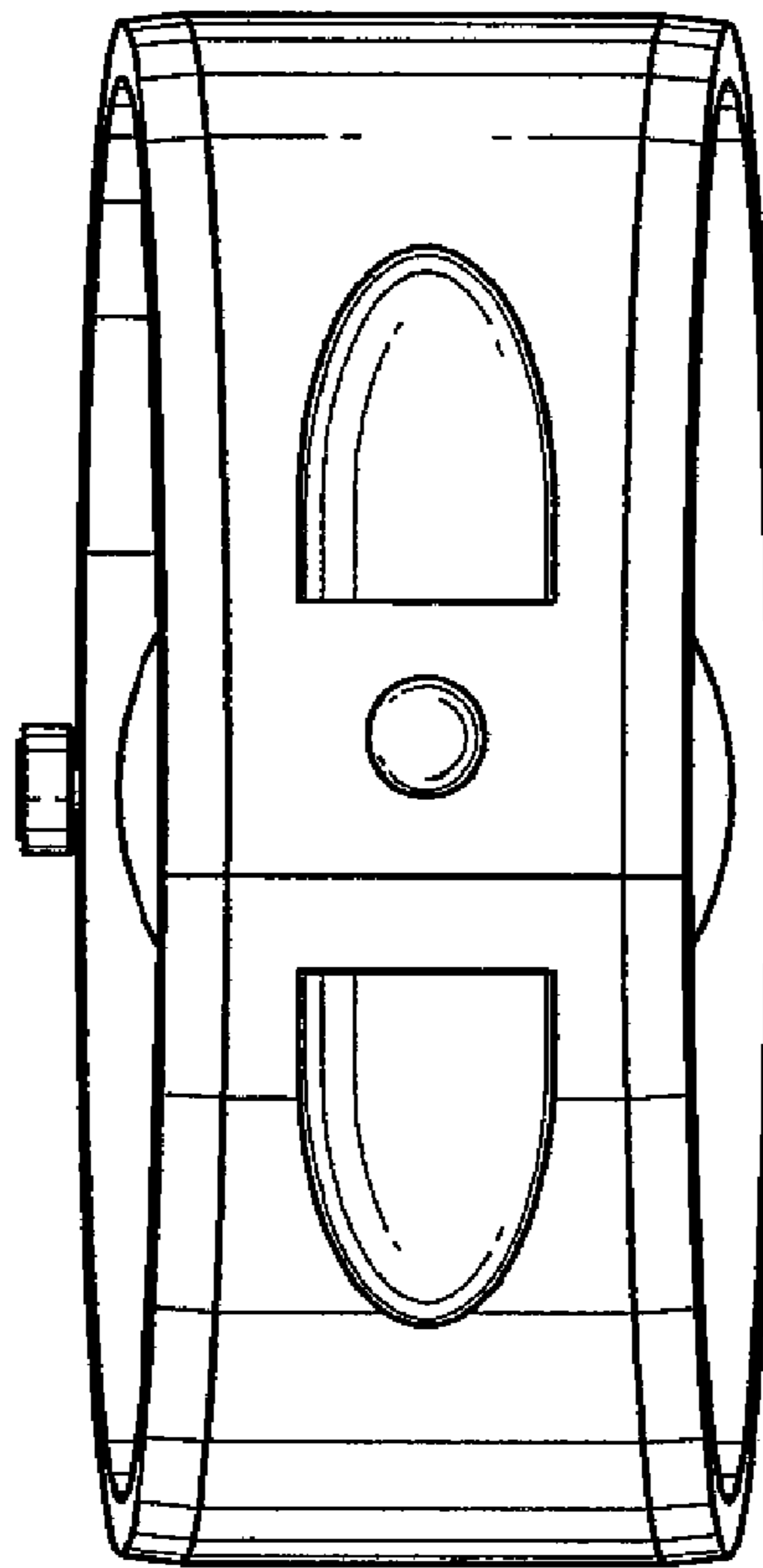


FIG. 23

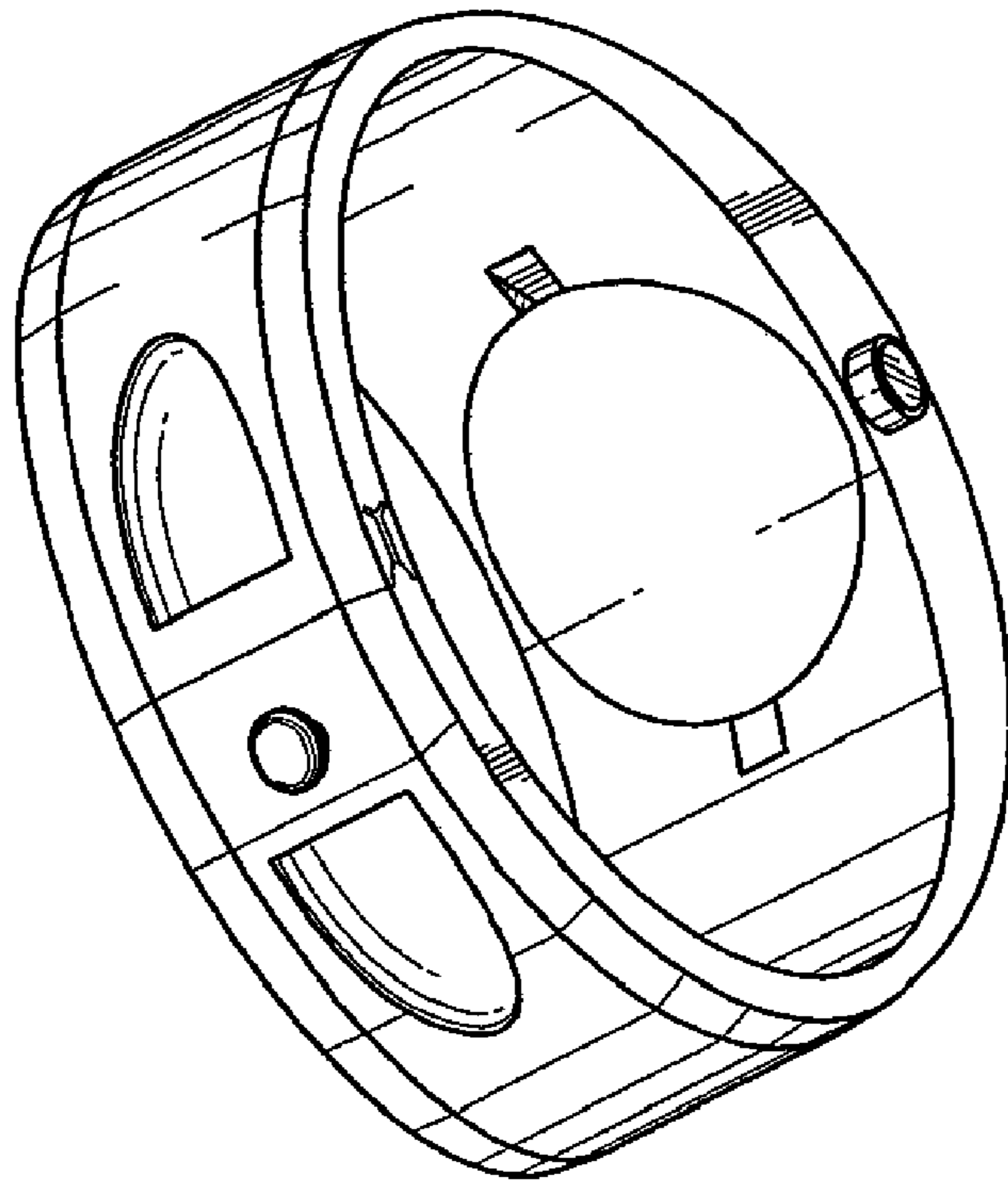


FIG. 24

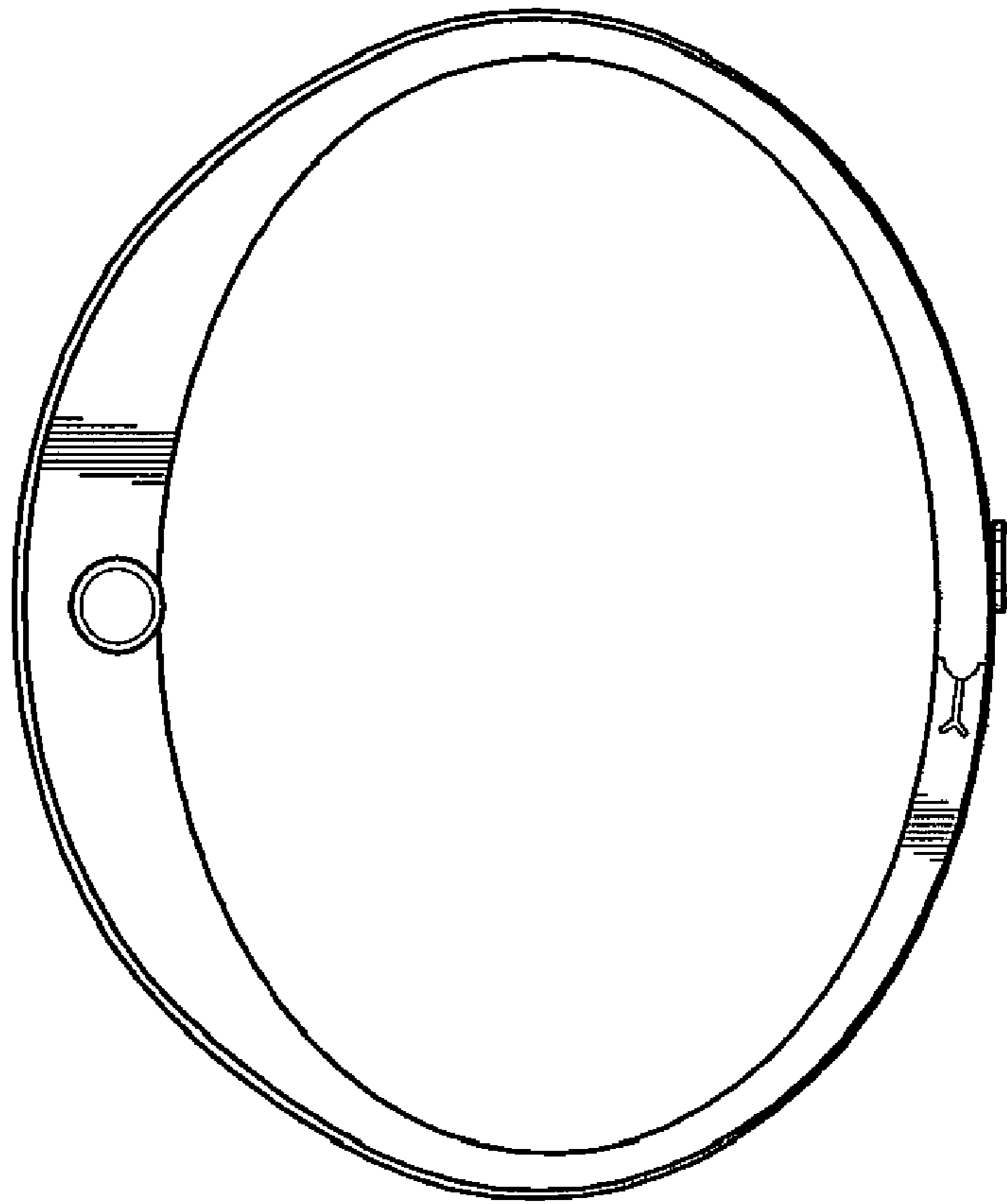


FIG. 25

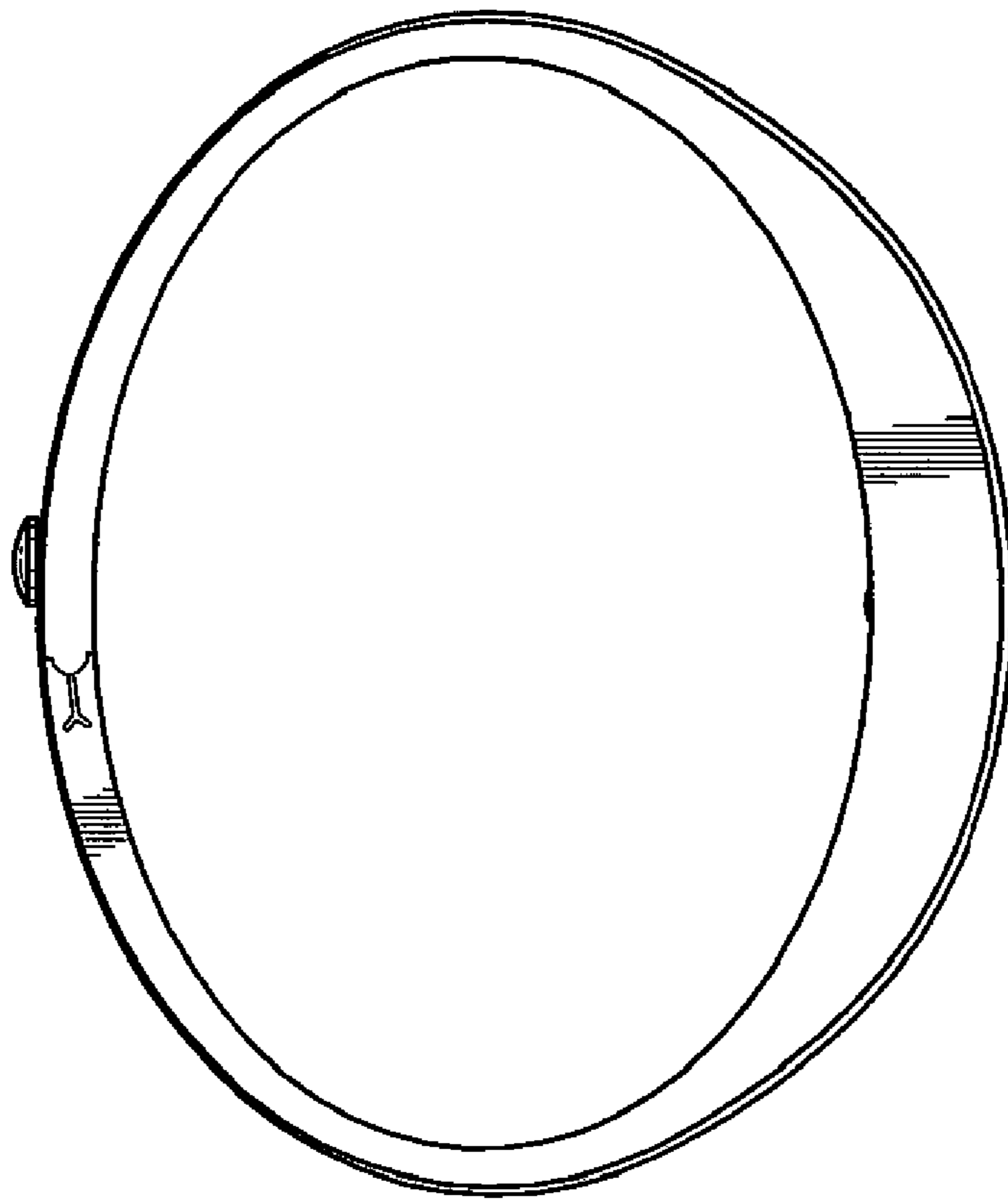


FIG. 26

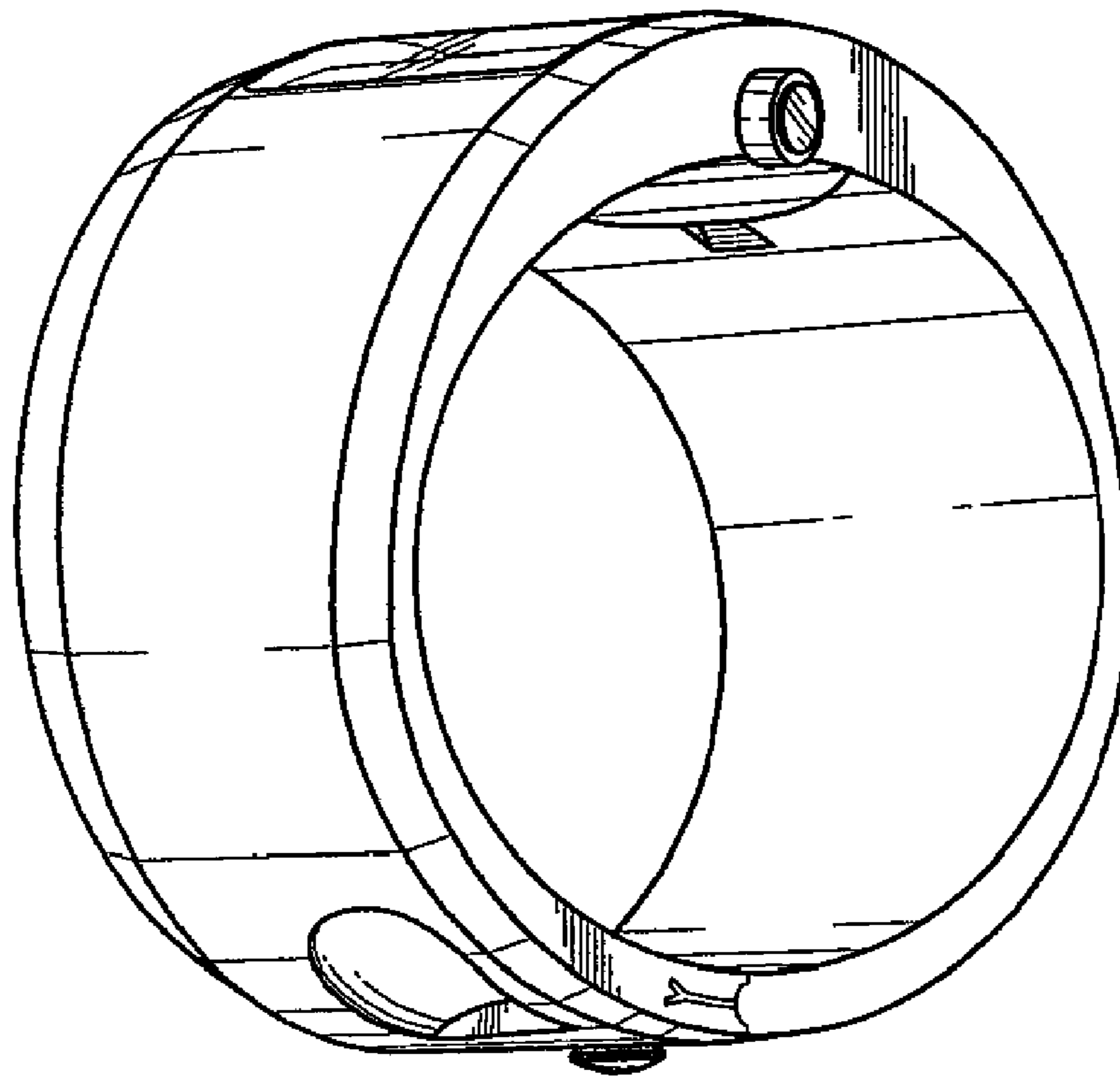


FIG. 27

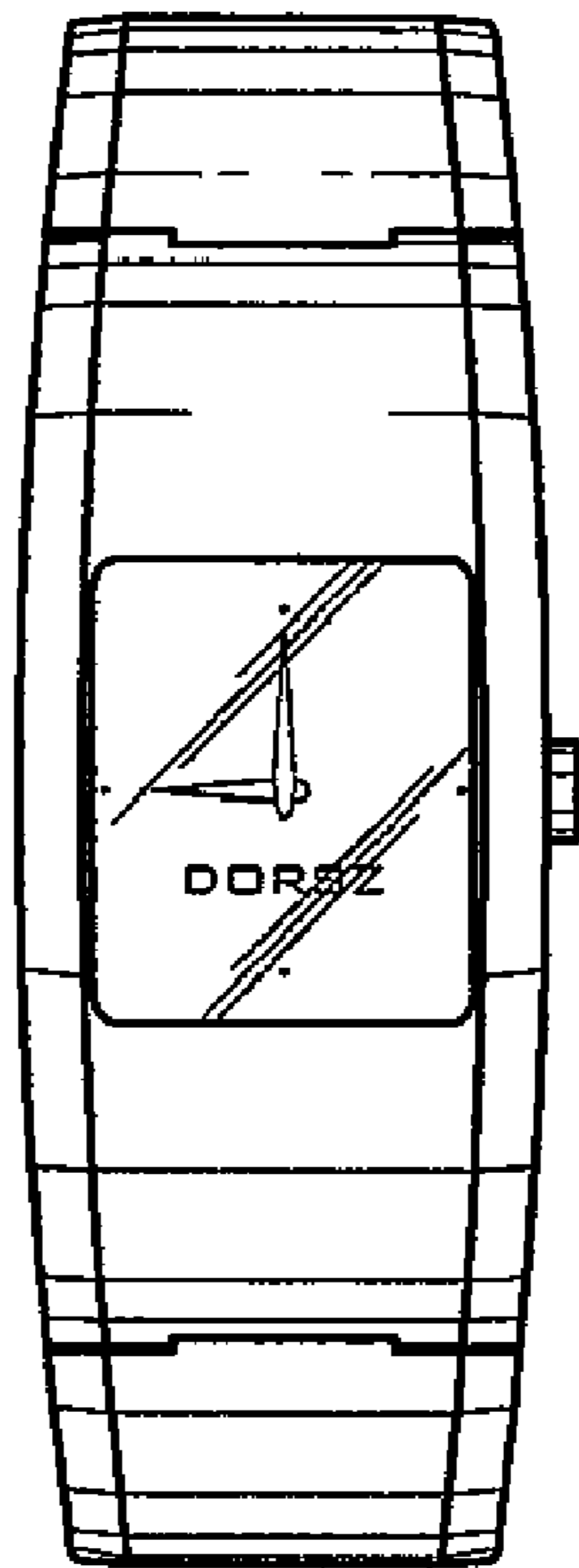


FIG. 28

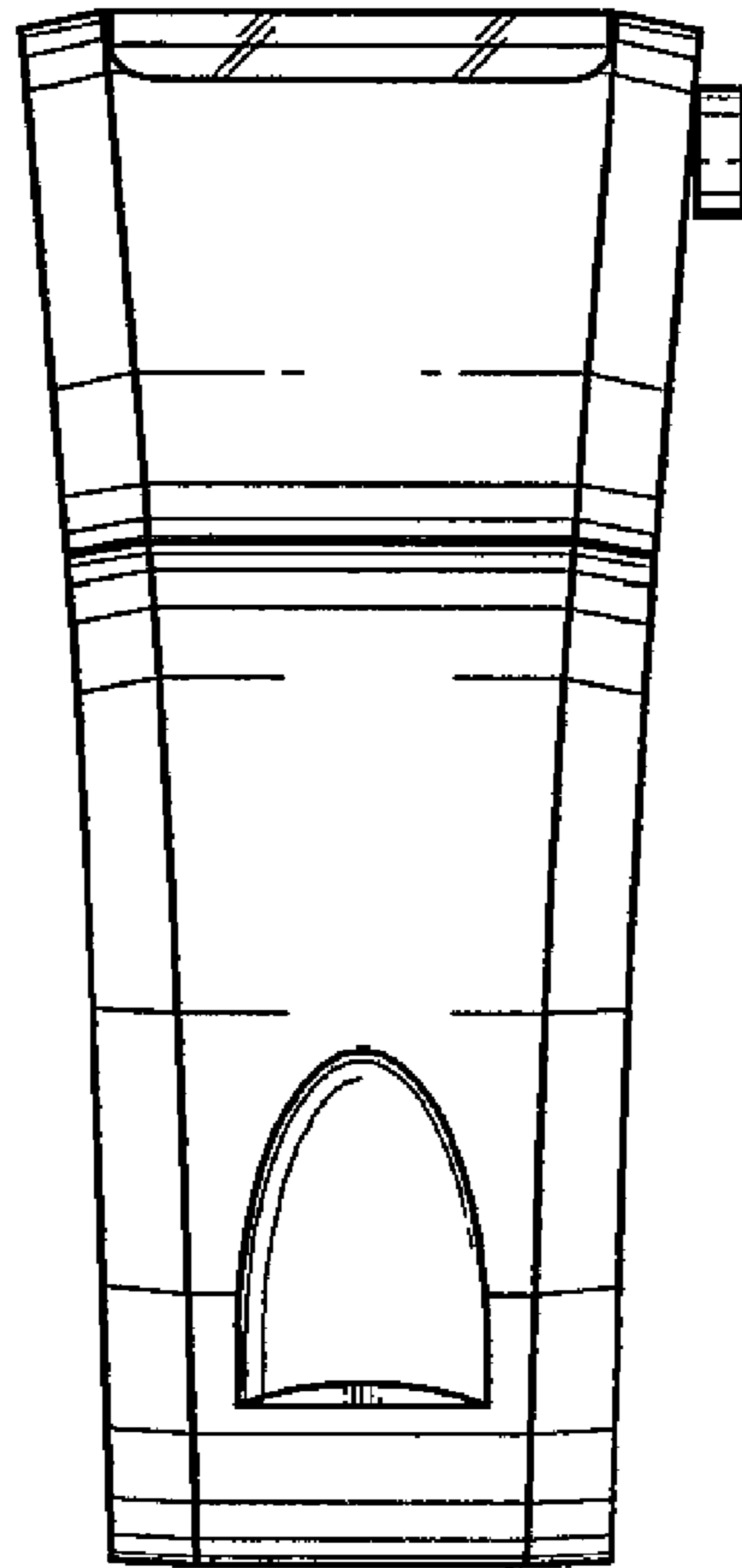


FIG. 29

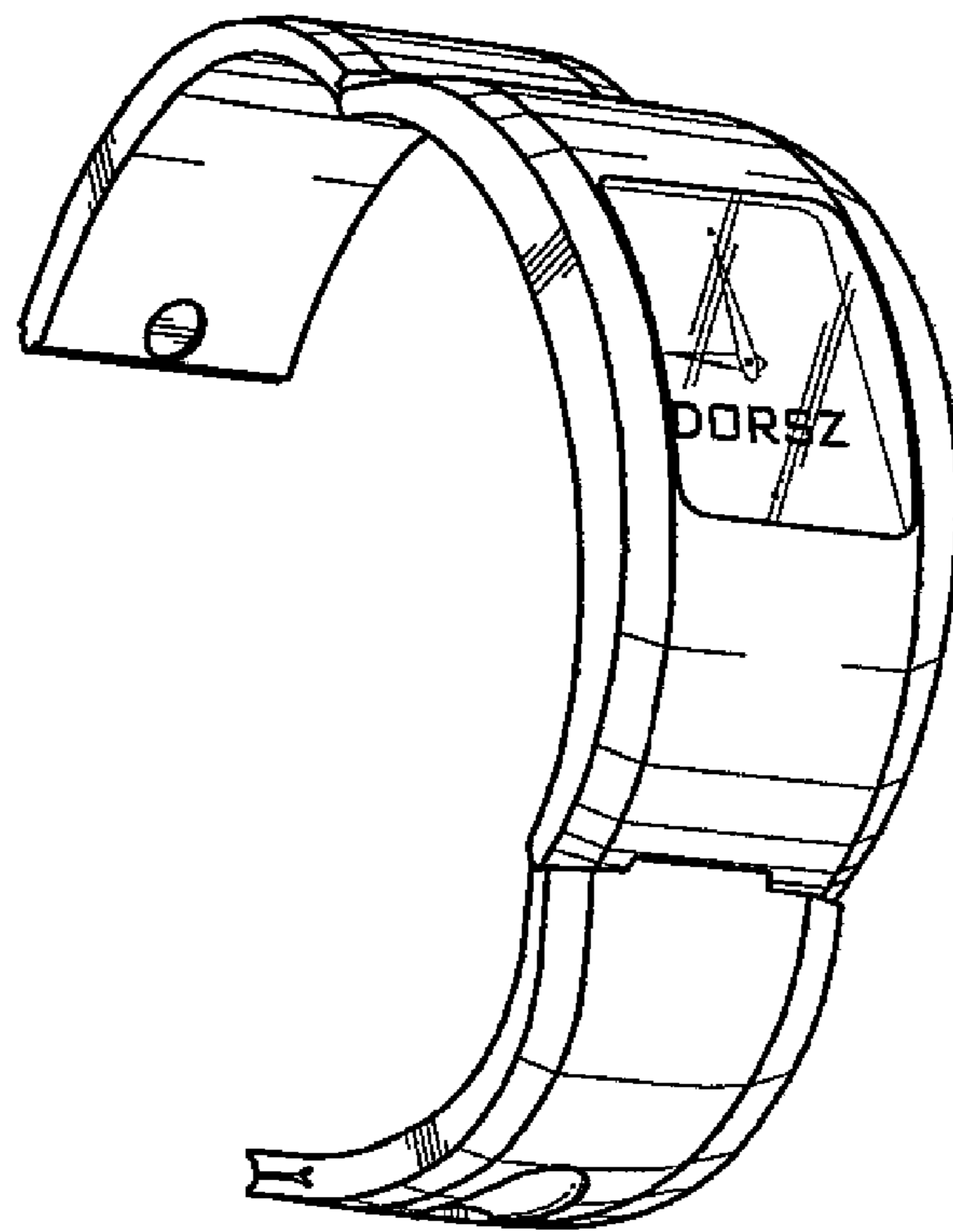


FIG. 30

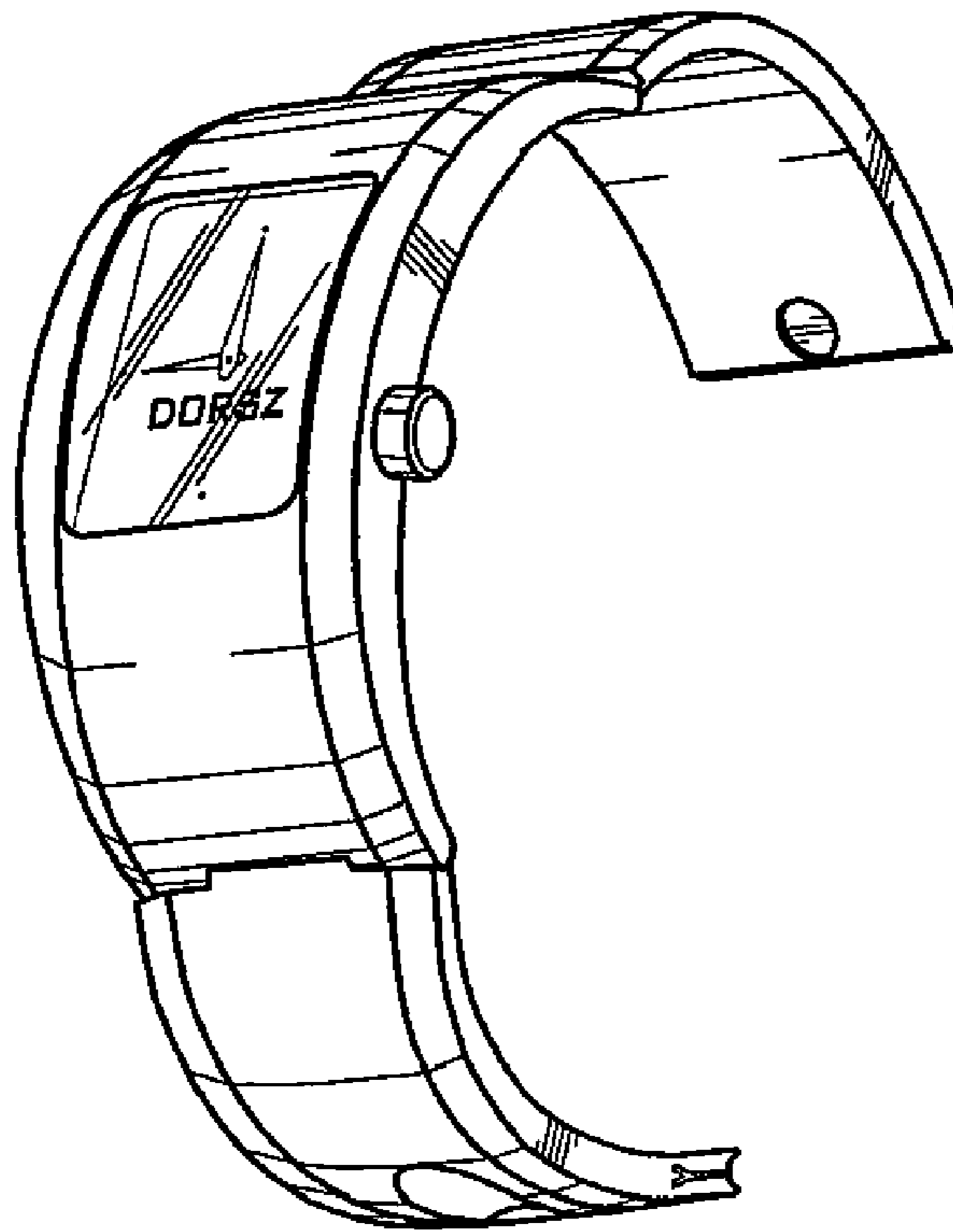


FIG. 31

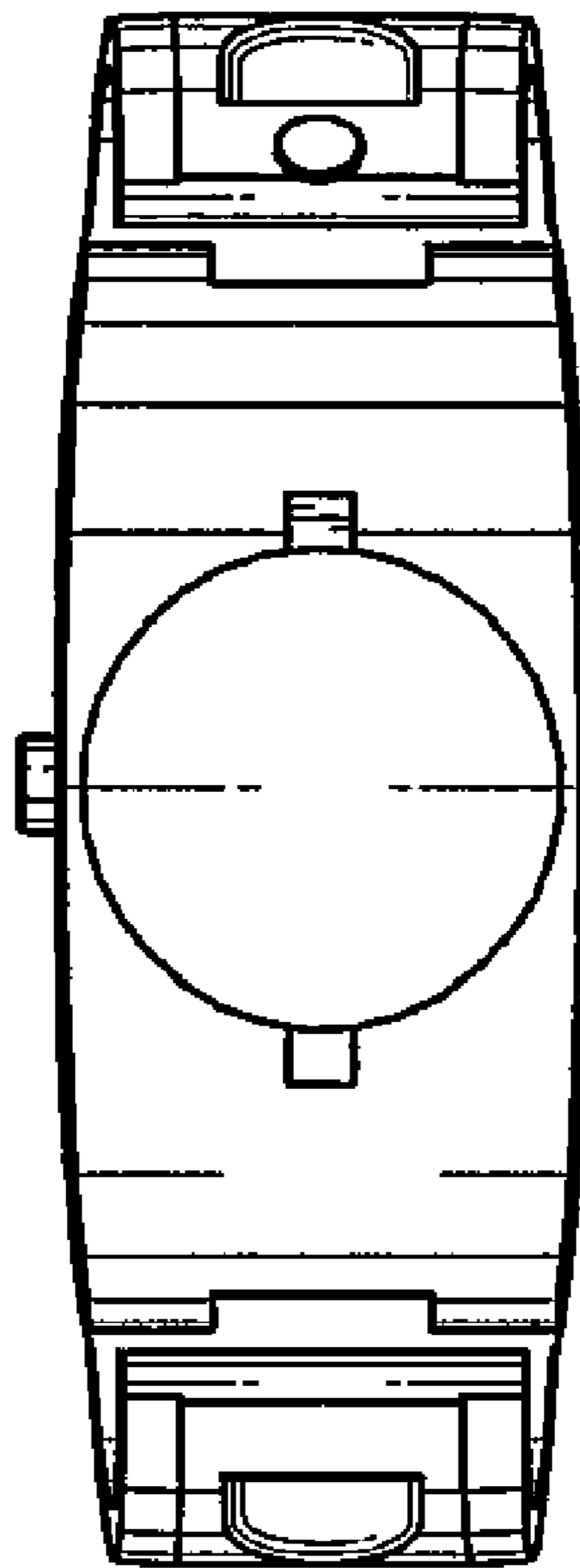


FIG. 32

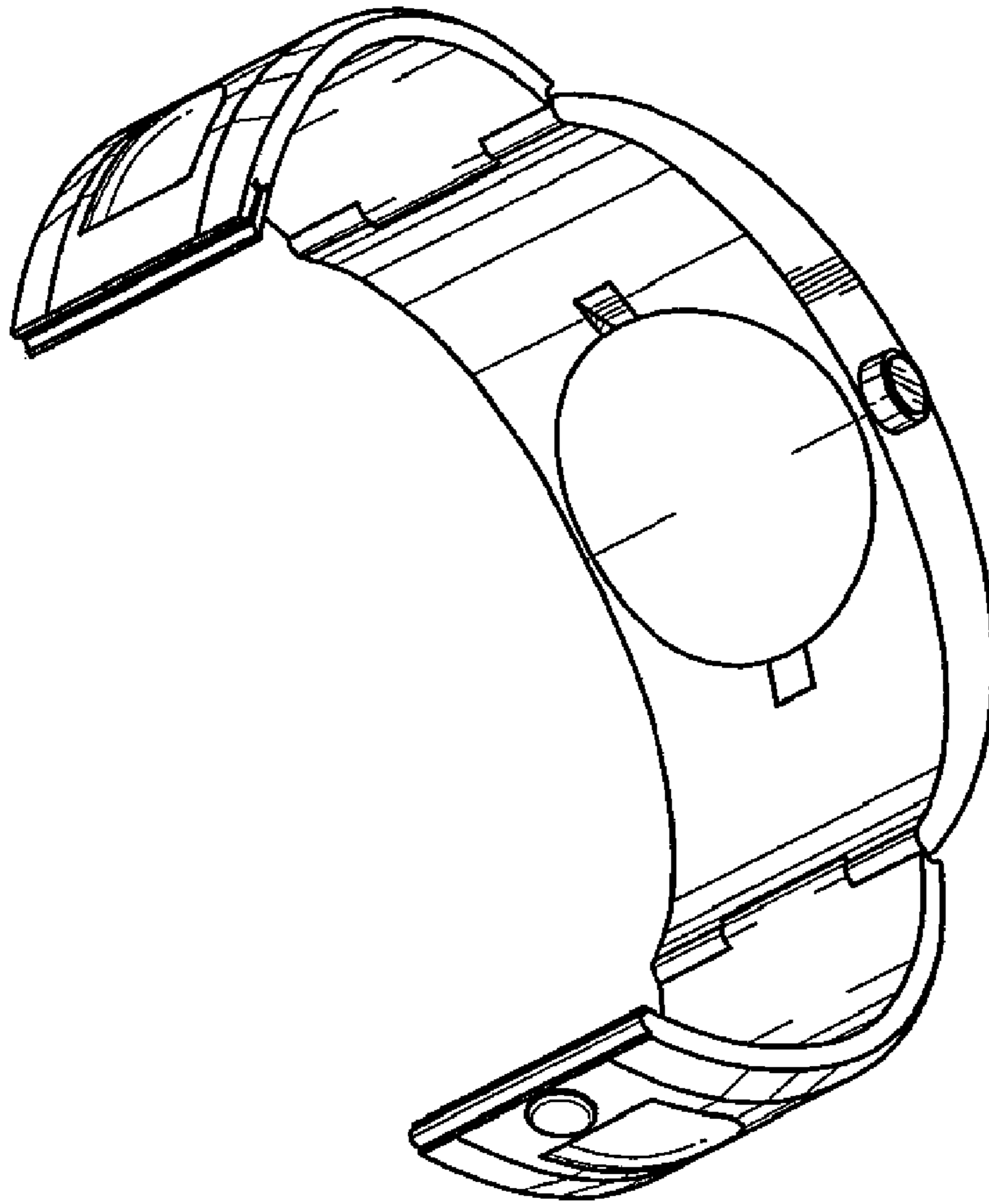


FIG. 33

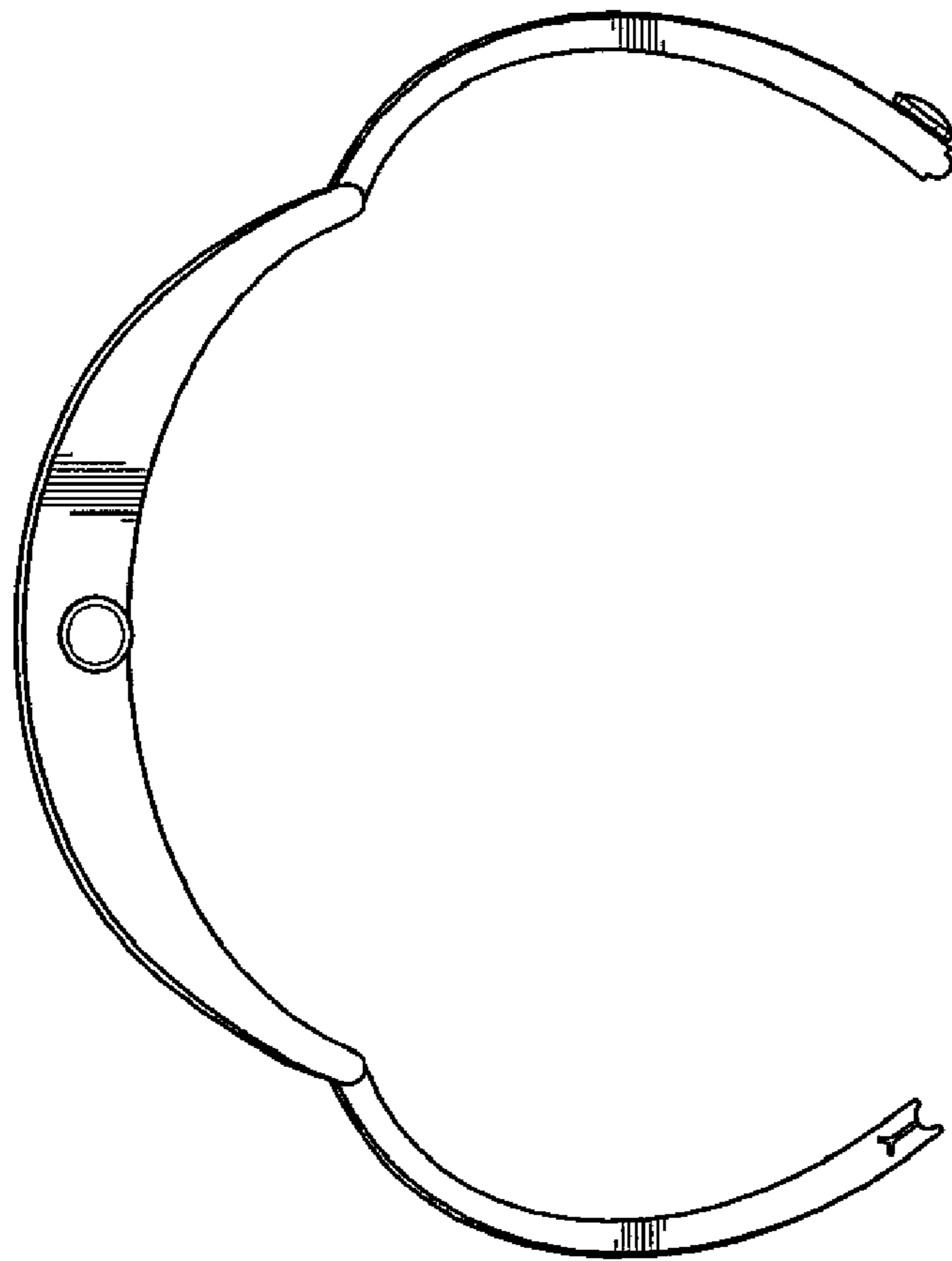


FIG. 34

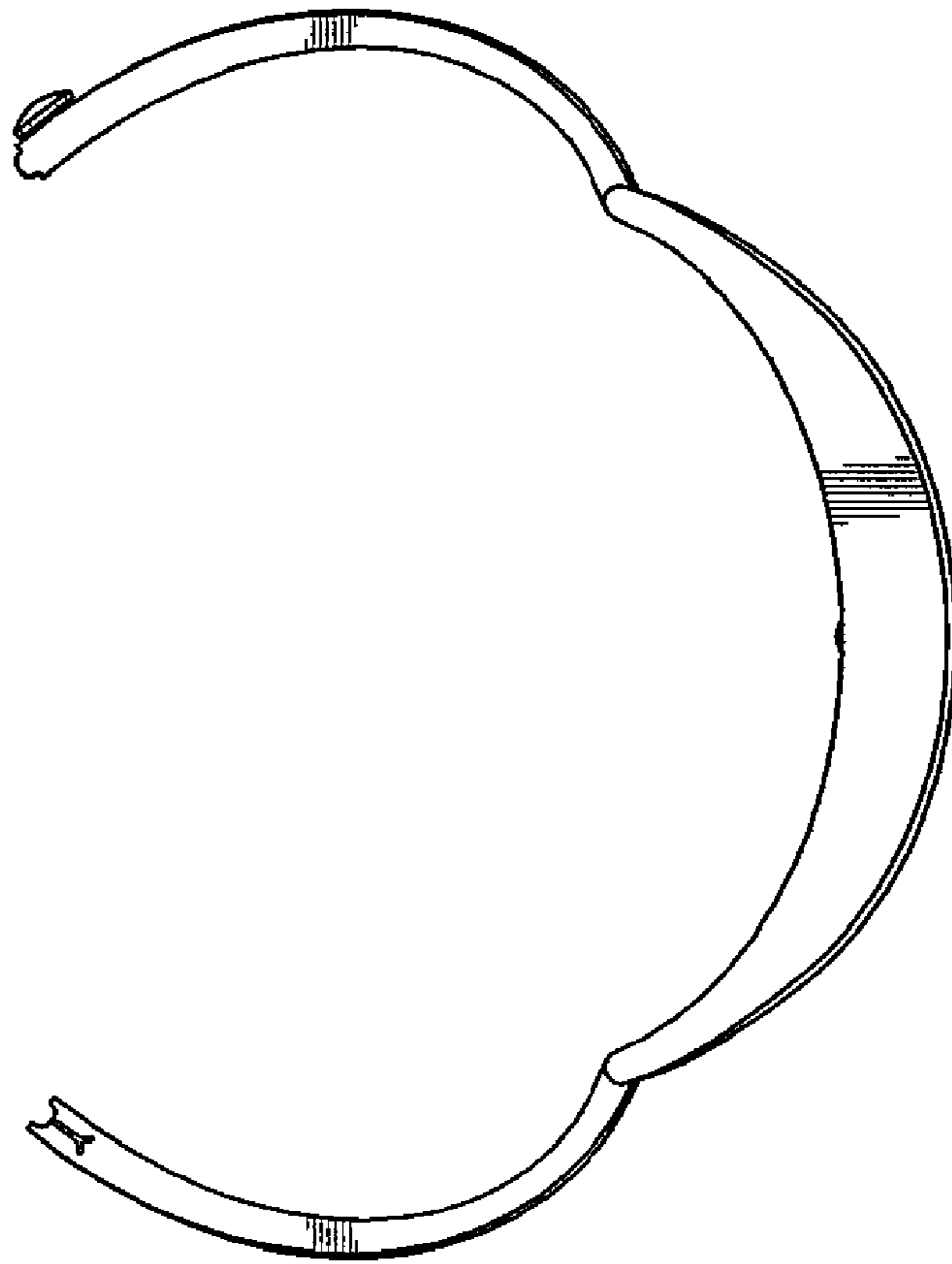


FIG. 35

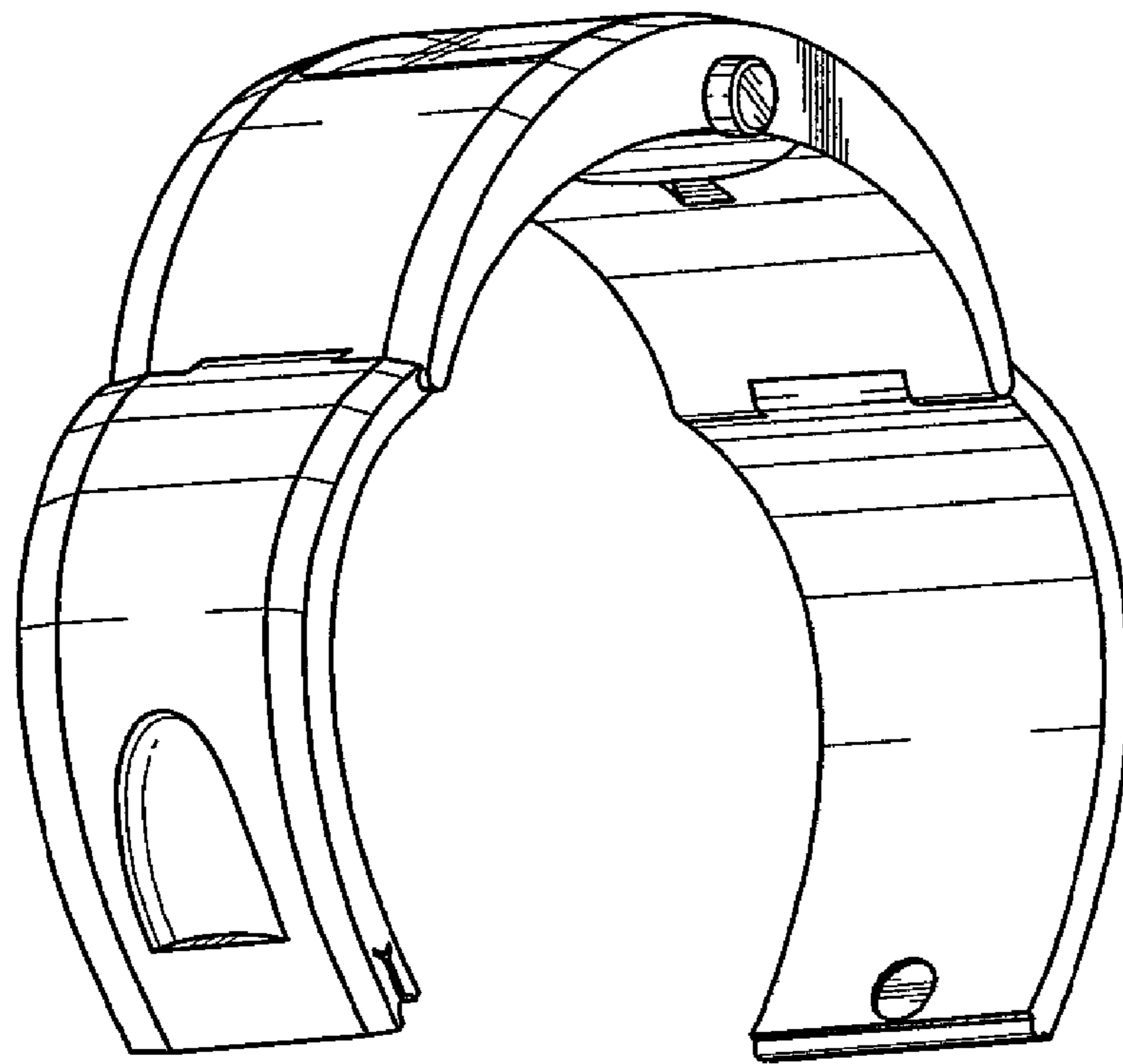


FIG. 36

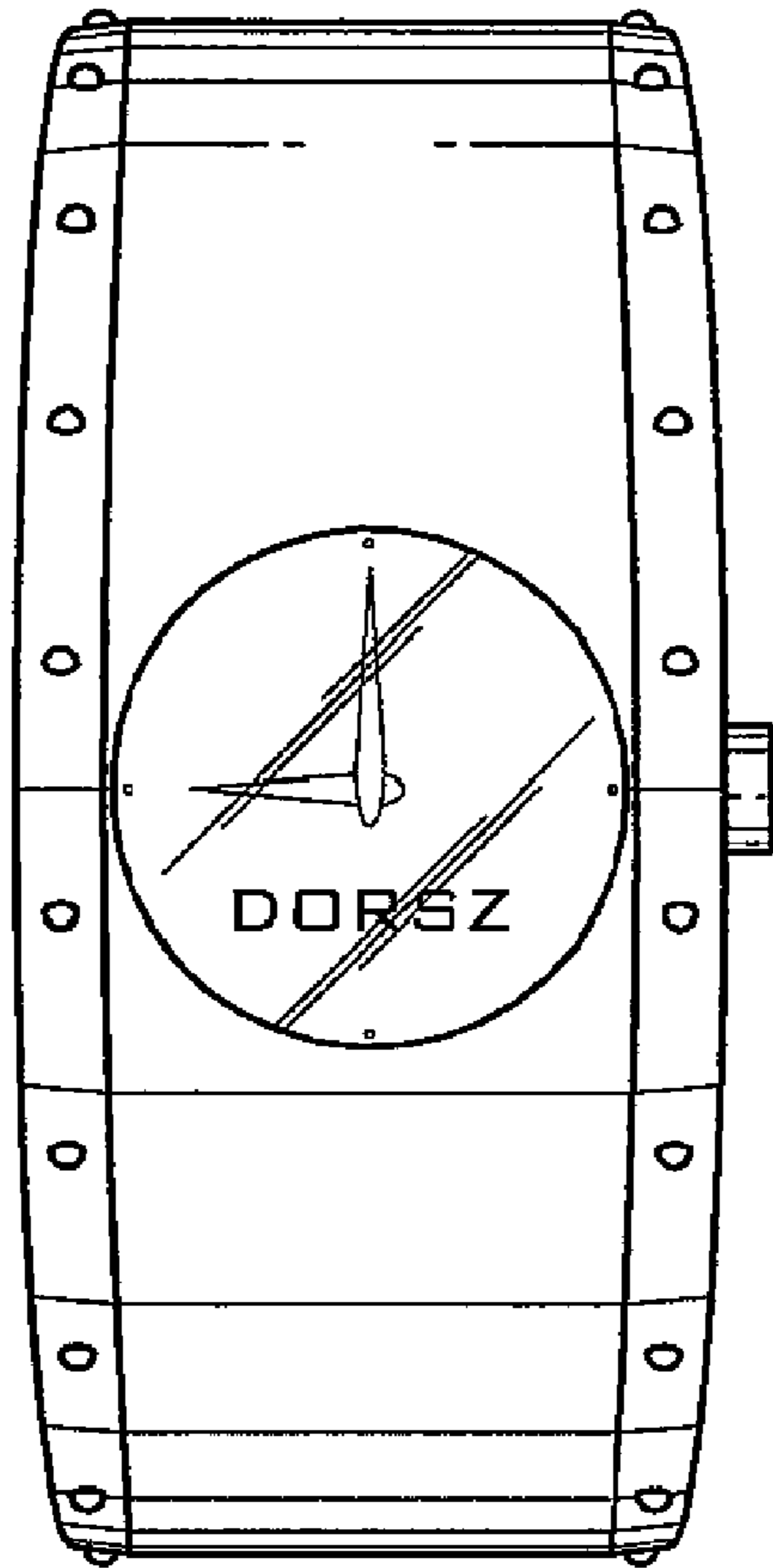


FIG. 37

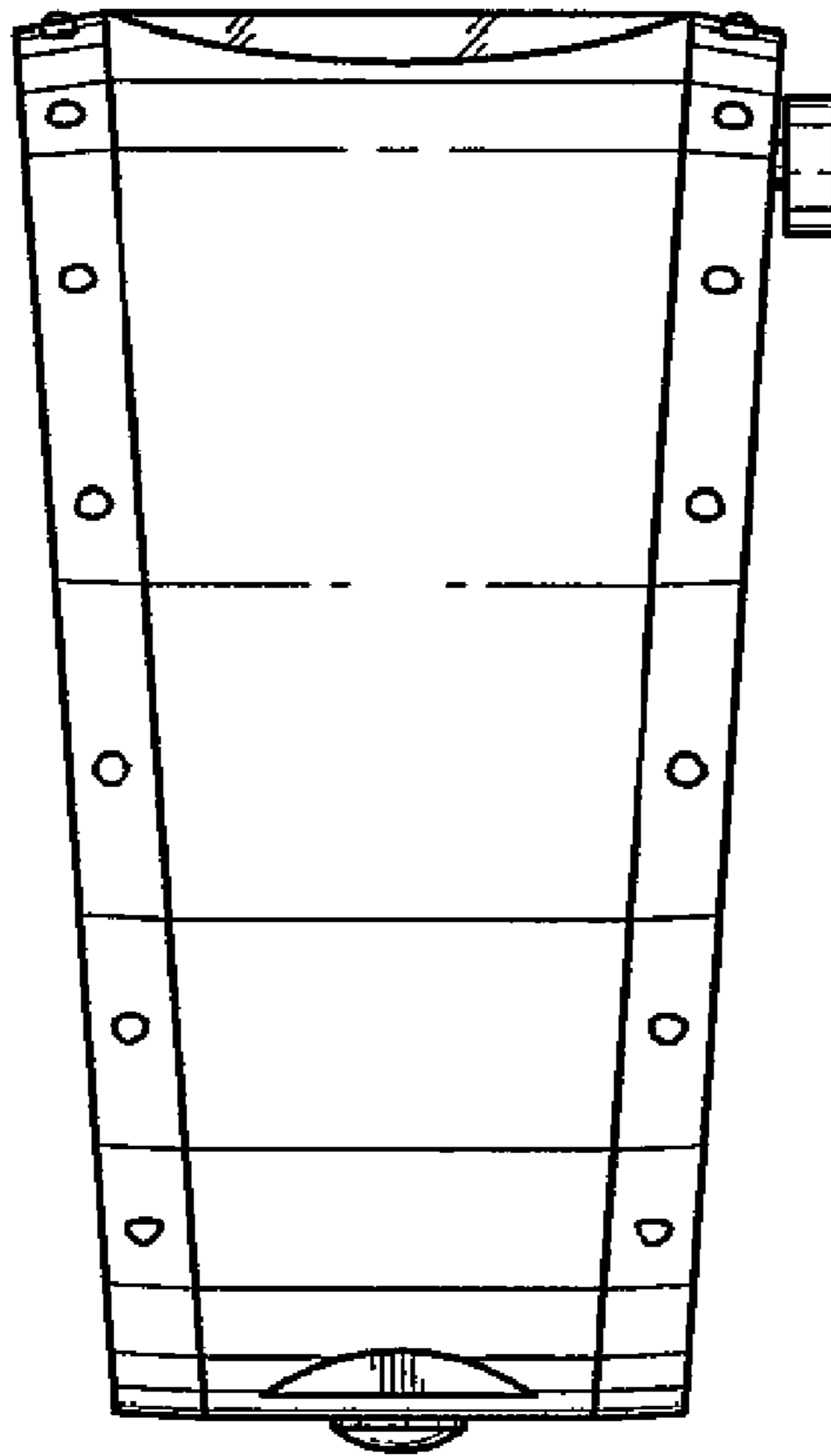


FIG. 38

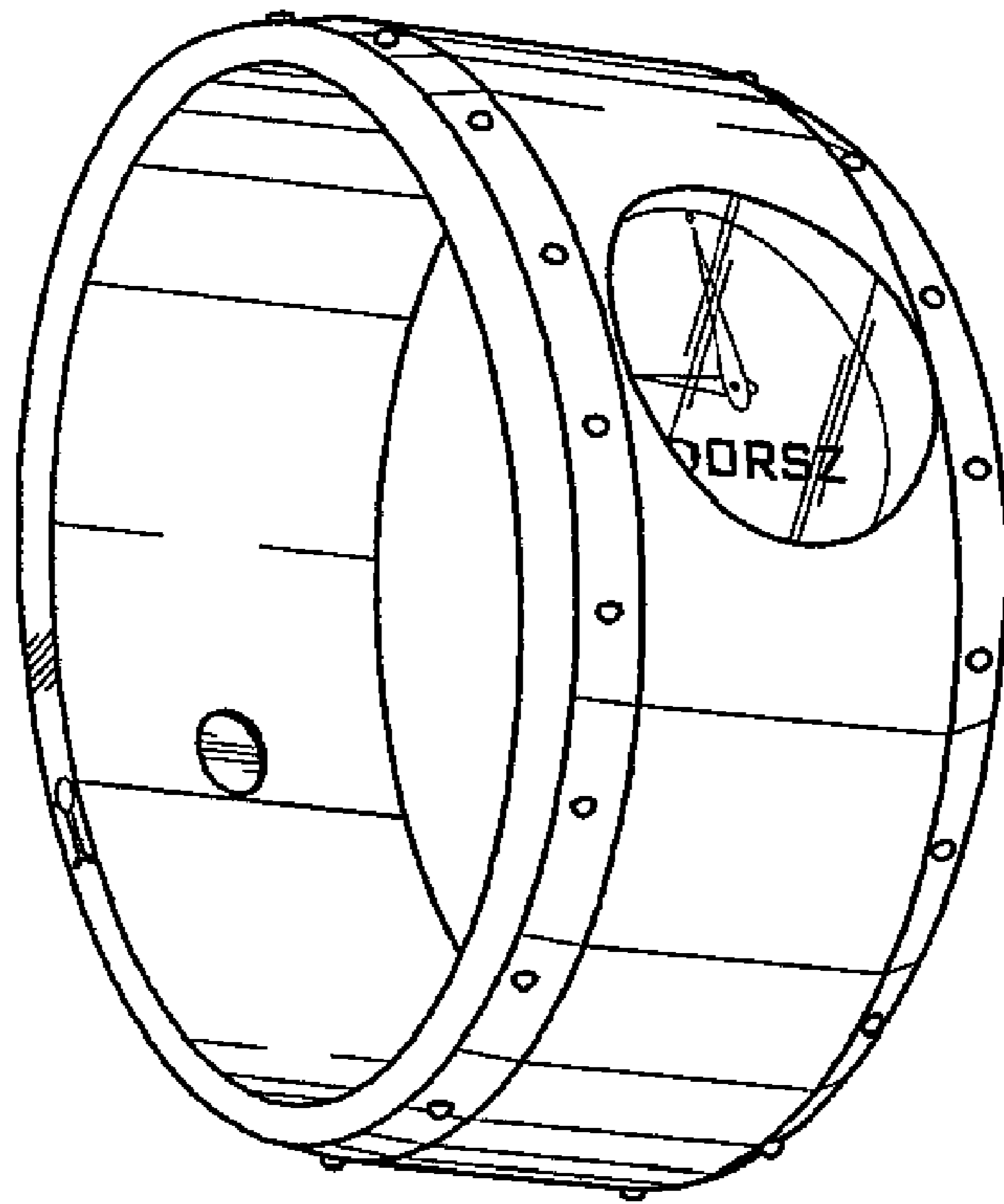


FIG. 39

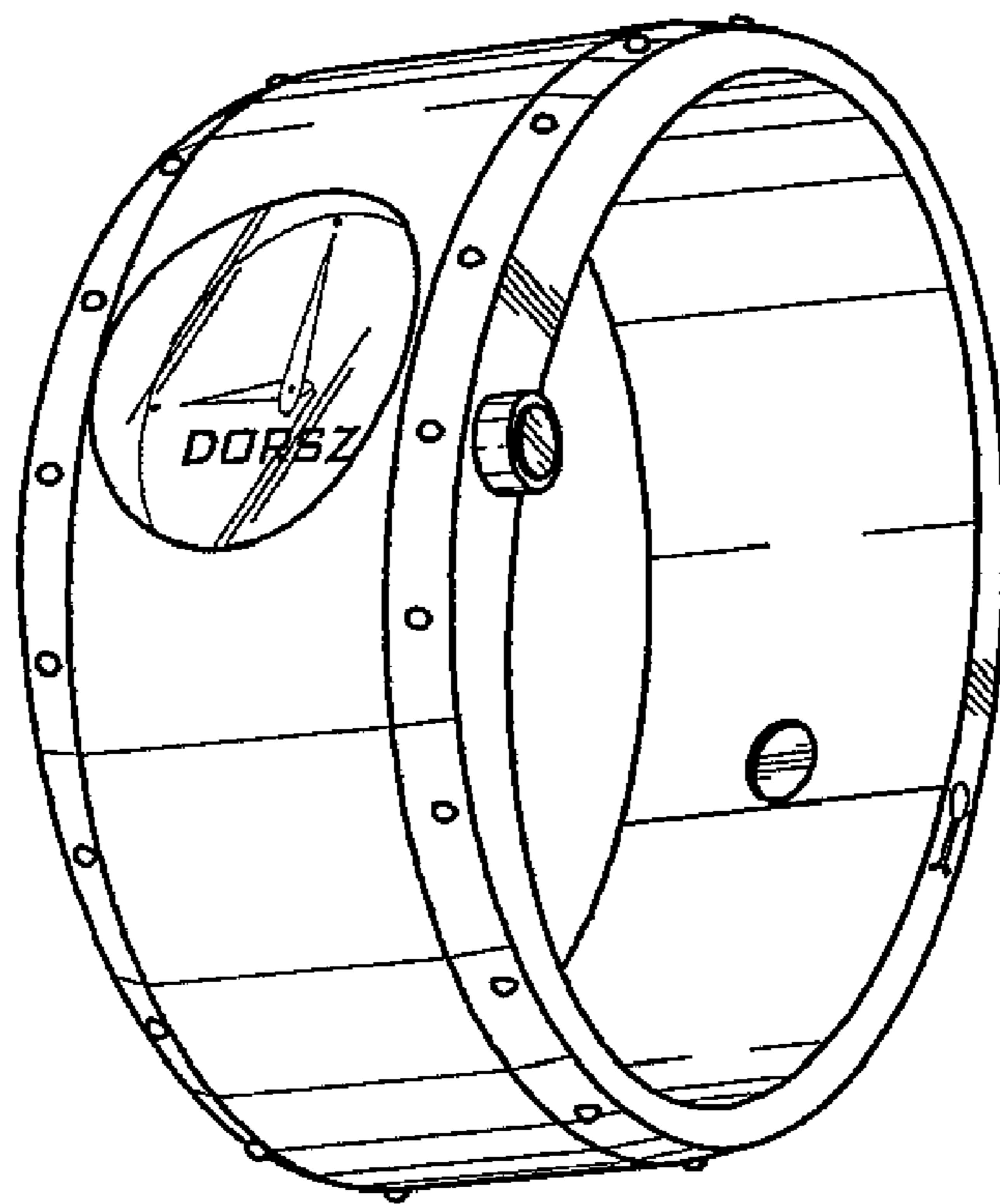


FIG. 40

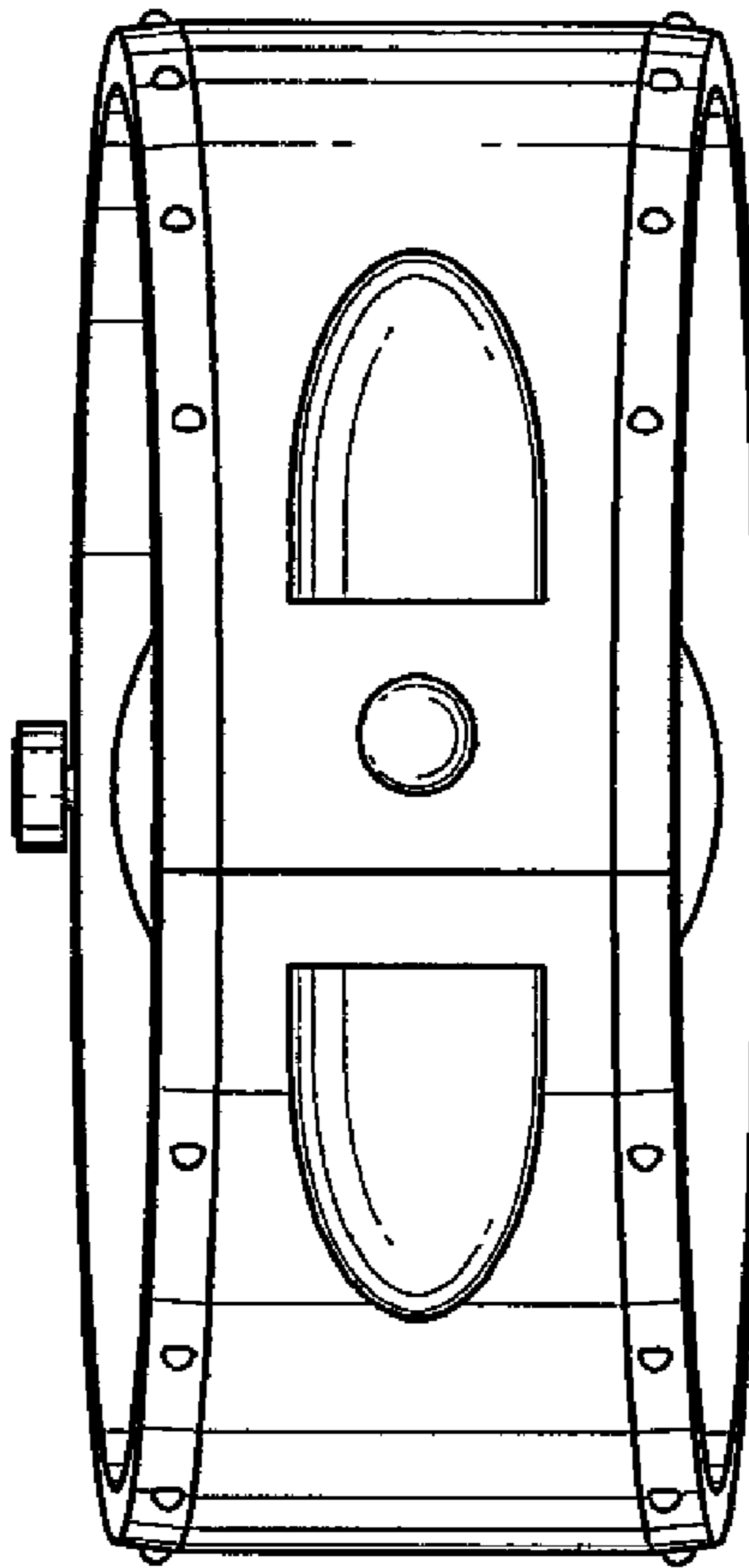


FIG. 41

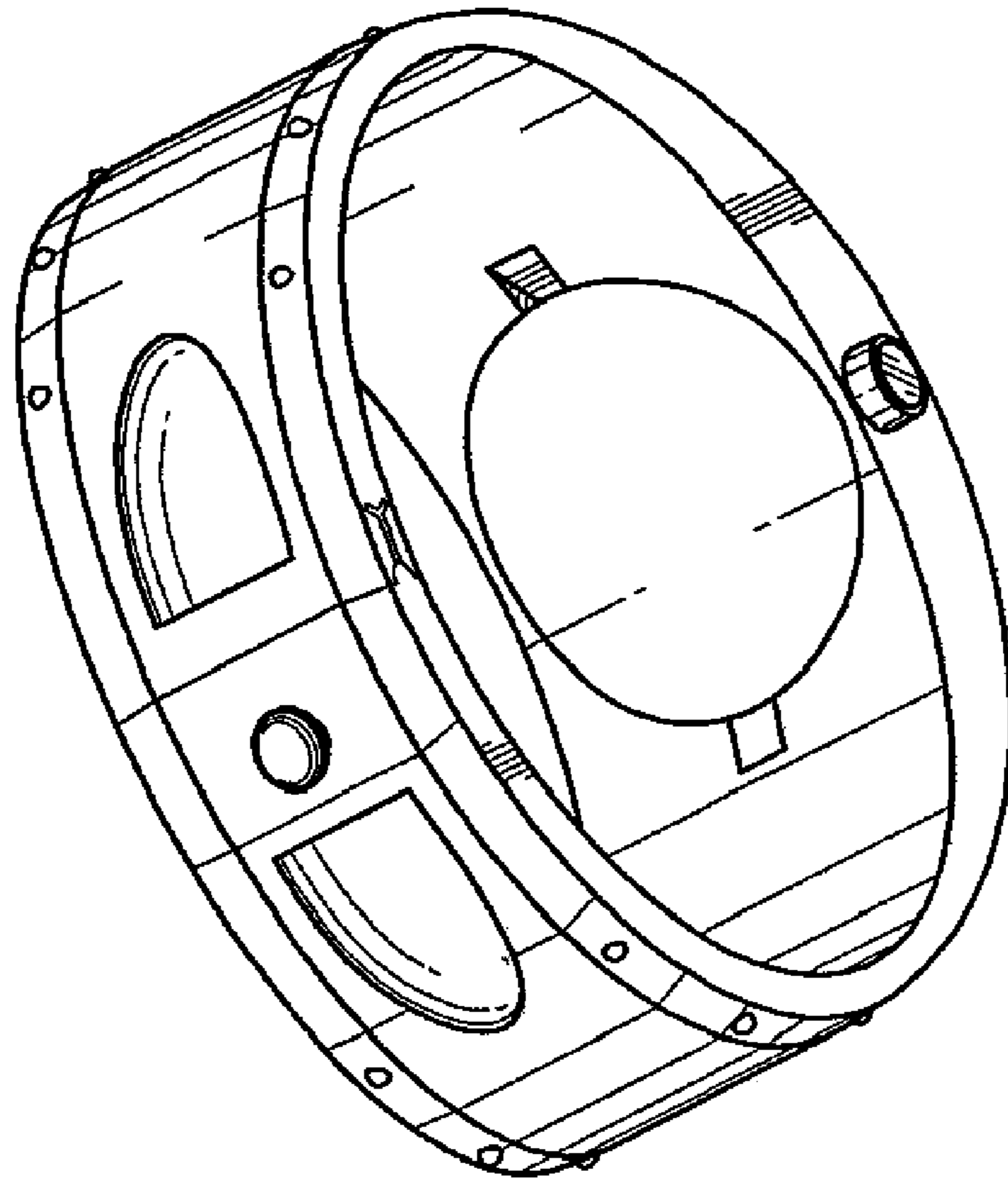


FIG. 42

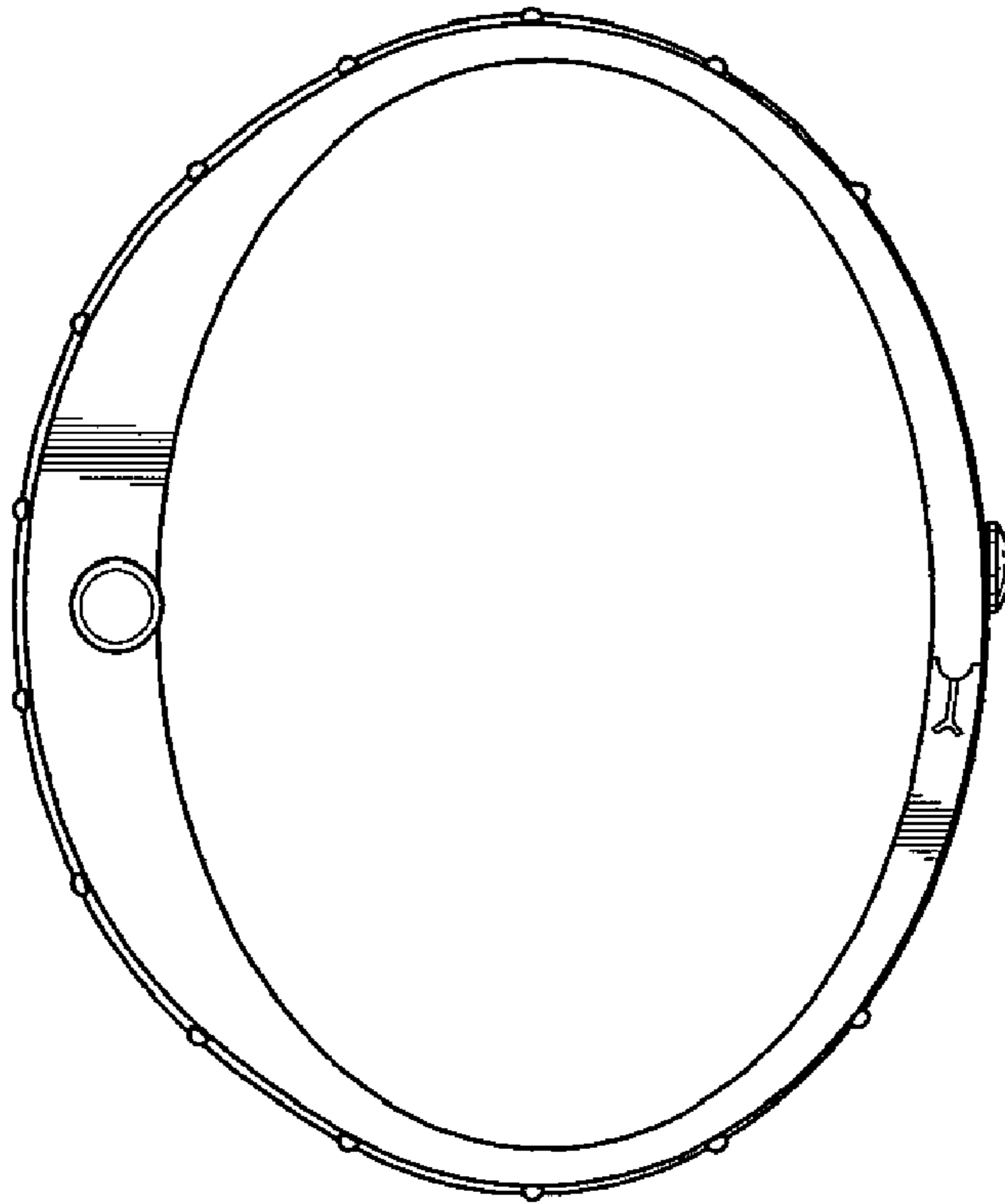


FIG. 43

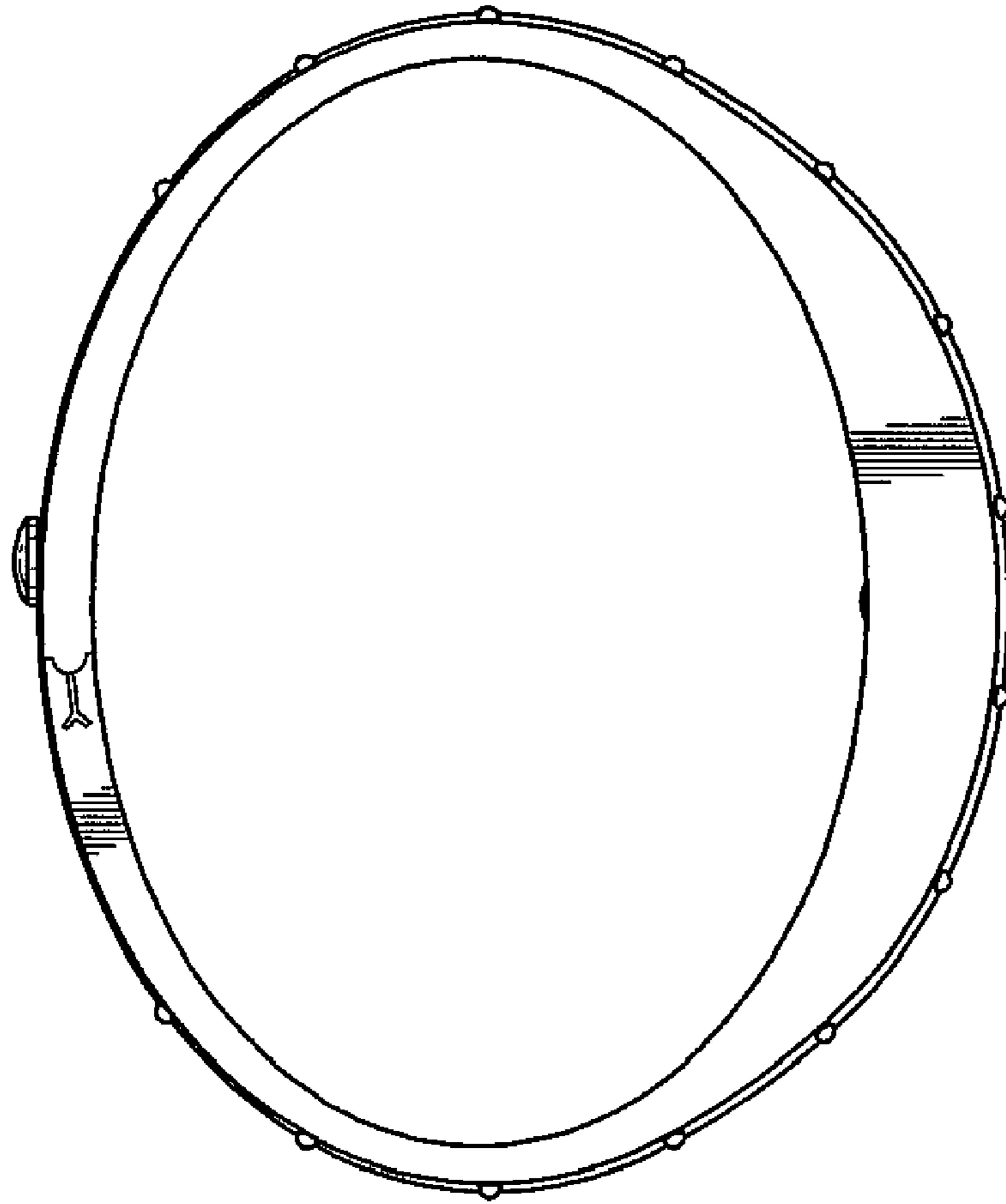


FIG. 44

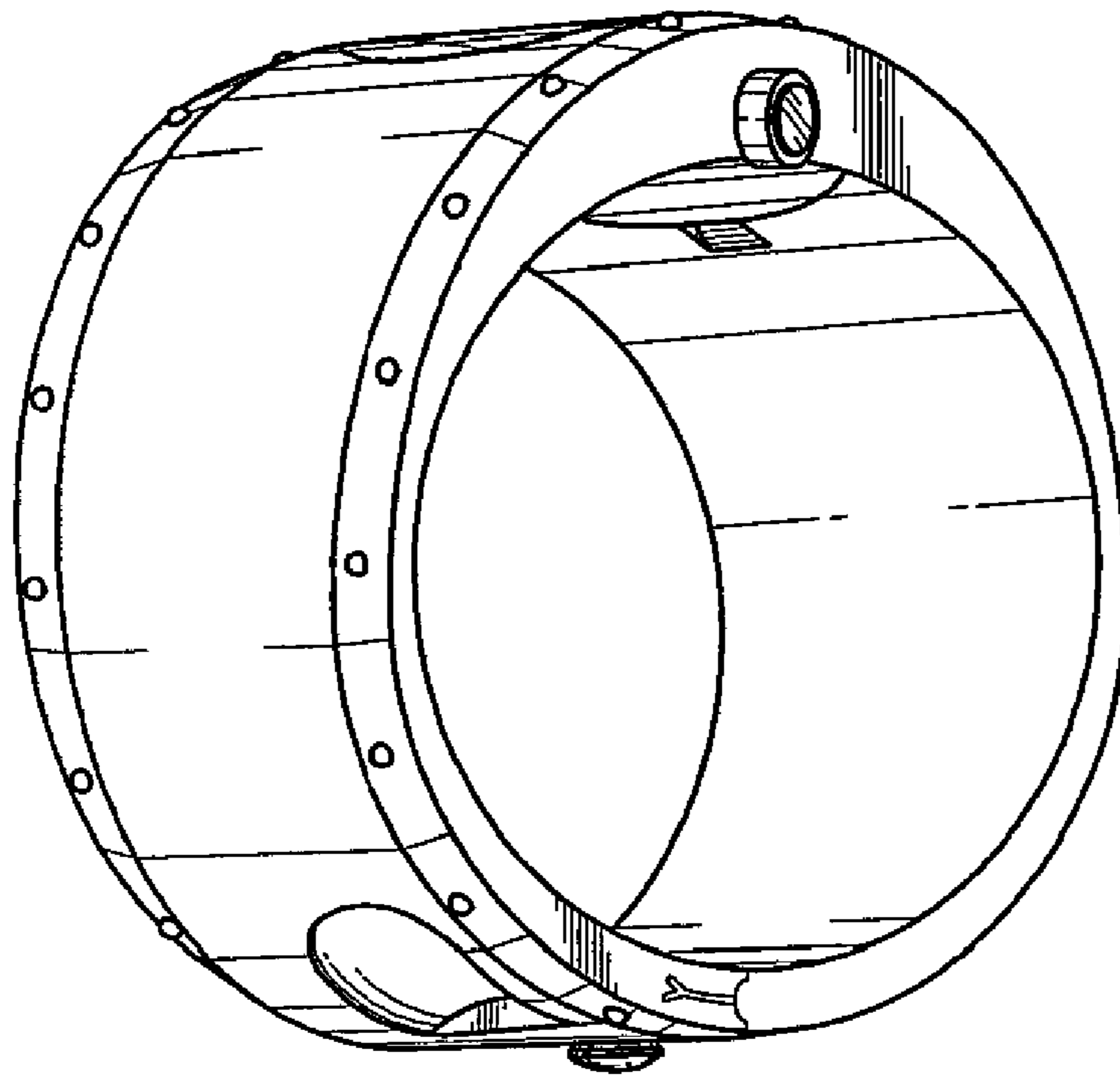


FIG. 45

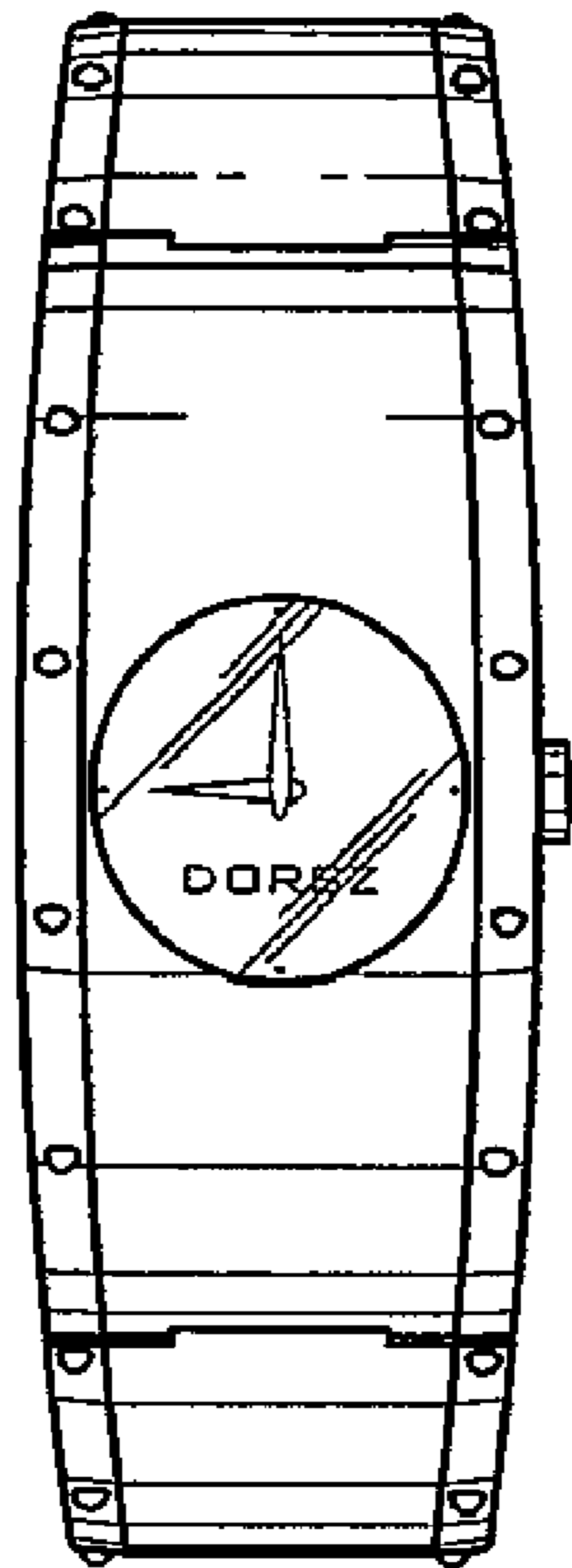


FIG. 46

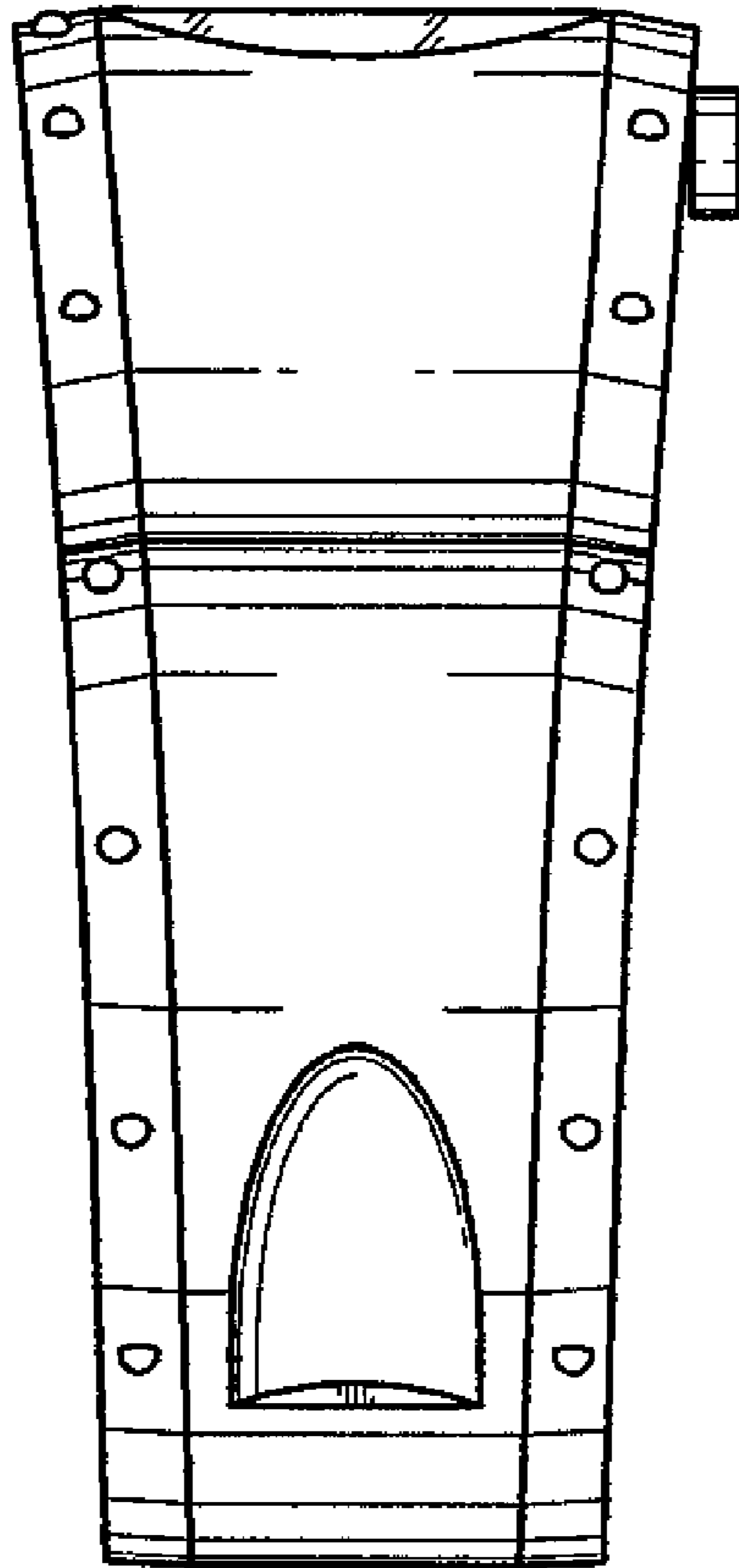


FIG. 47

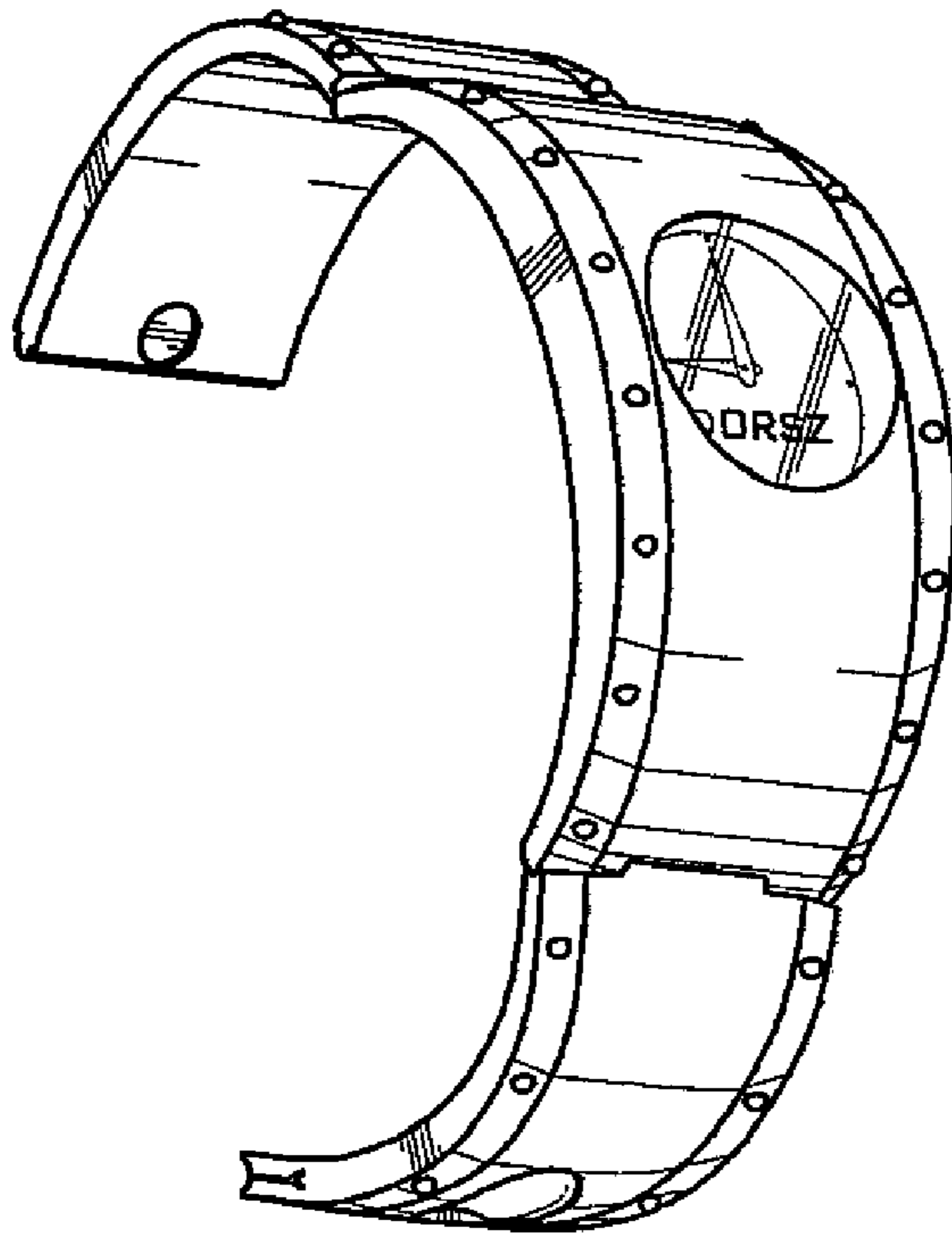


FIG. 48

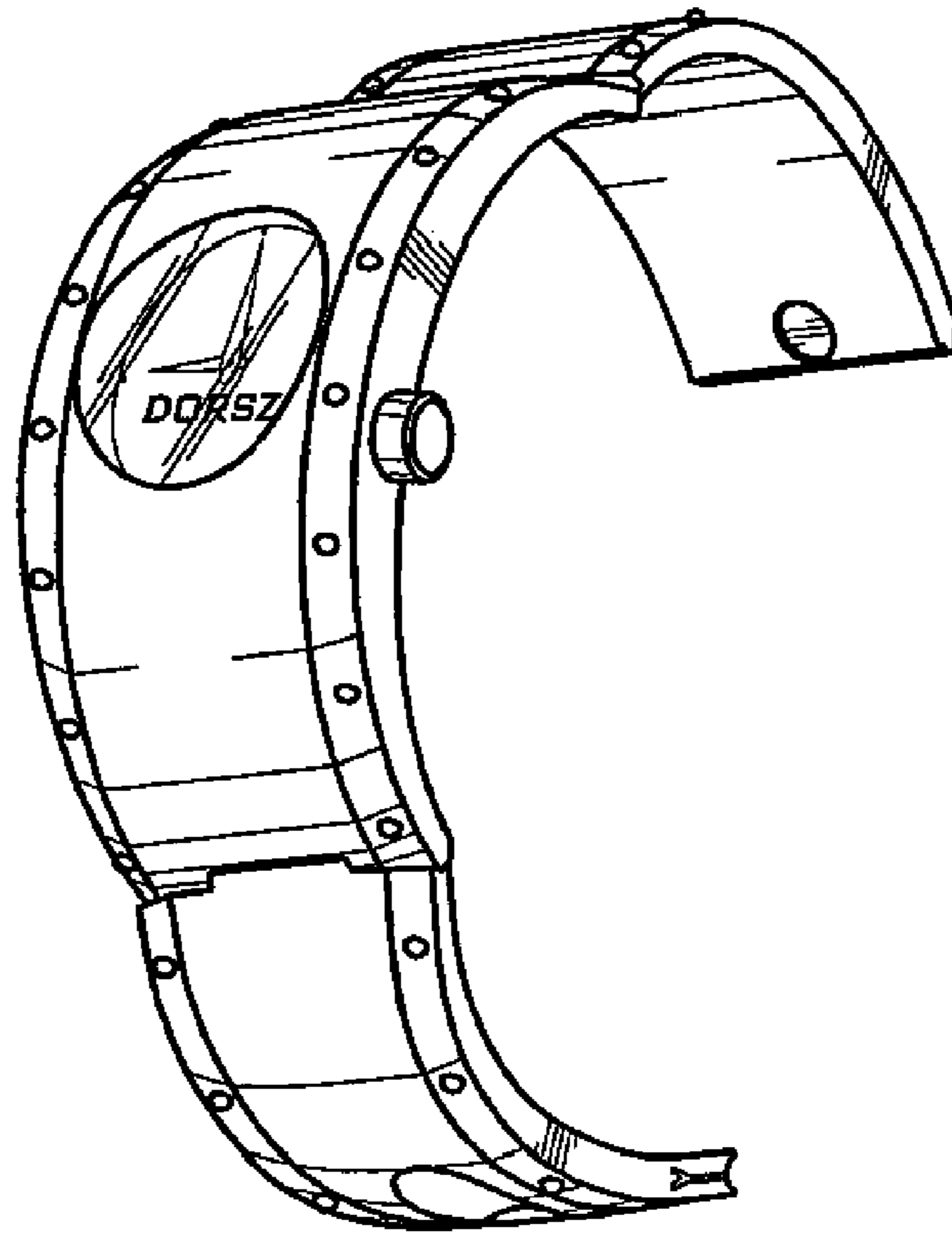


FIG. 49

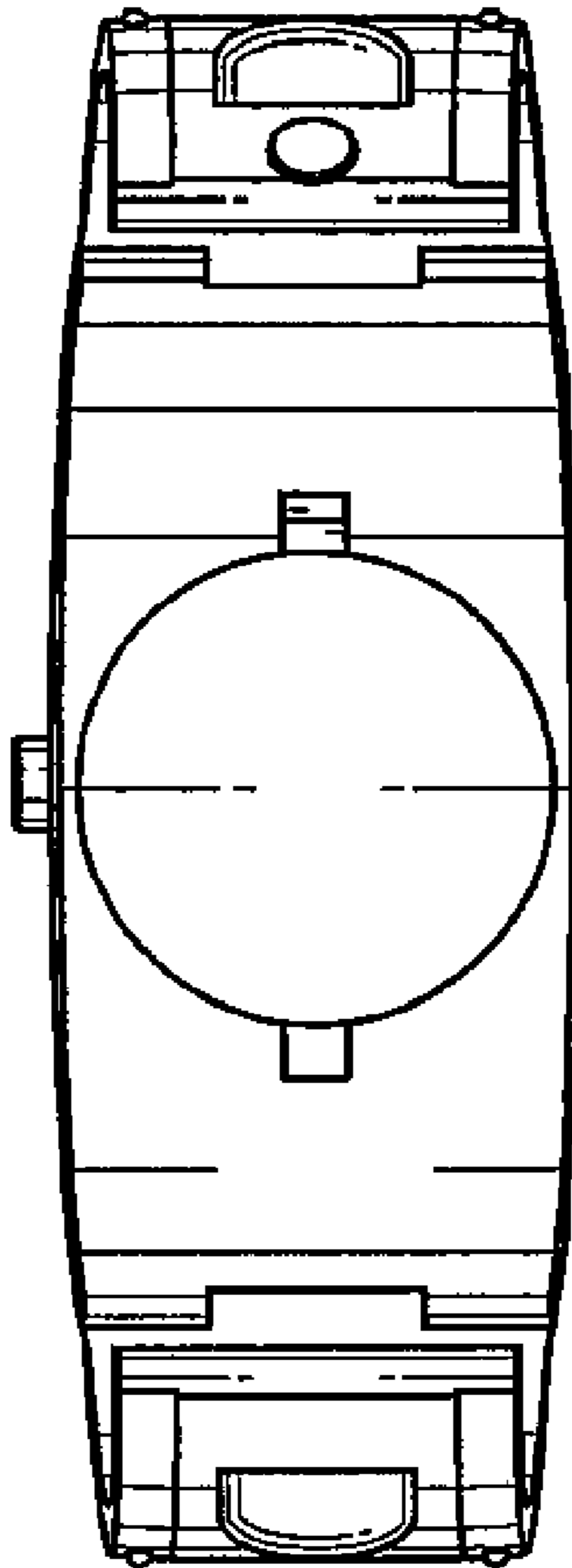


FIG. 50

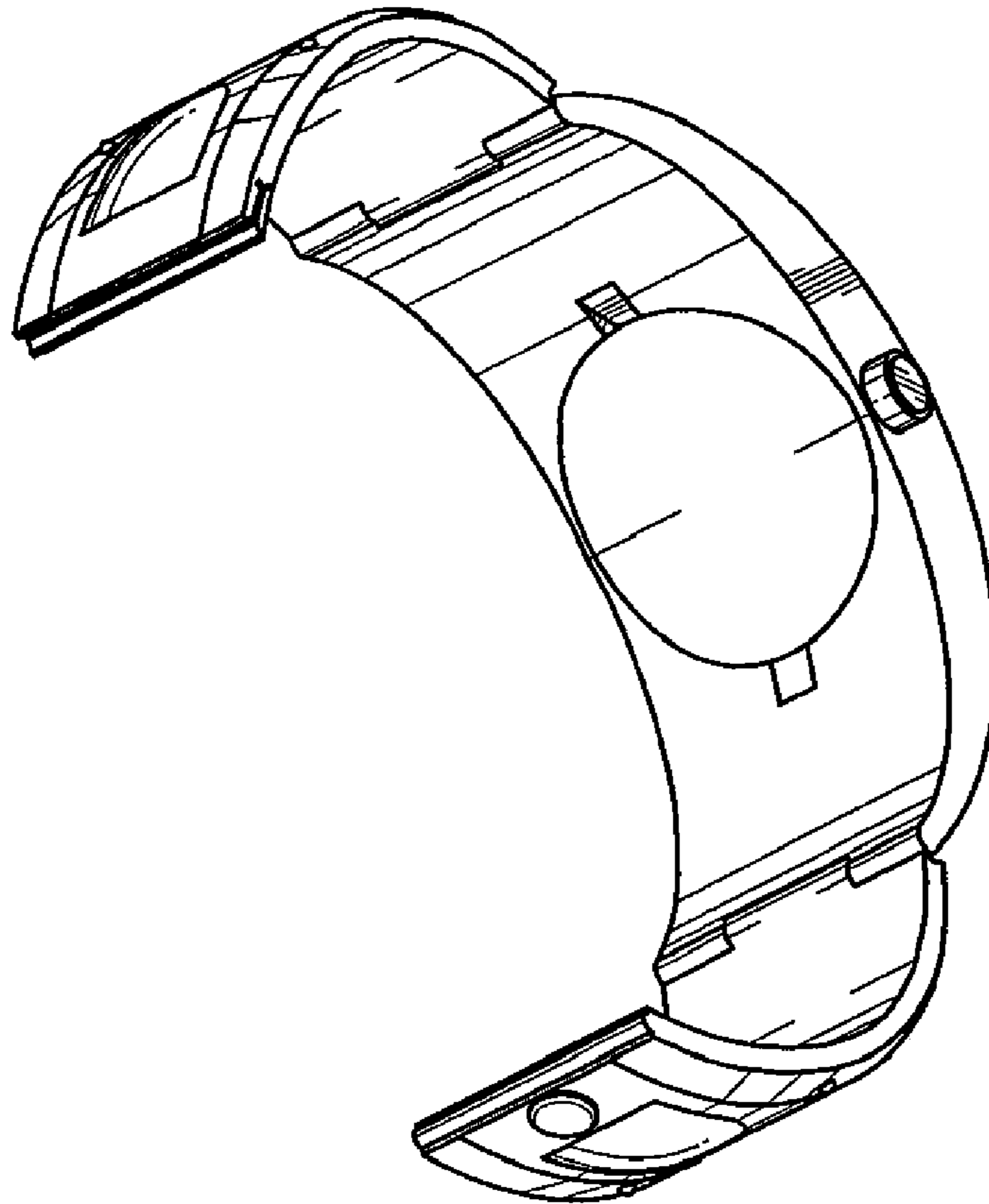


FIG. 51

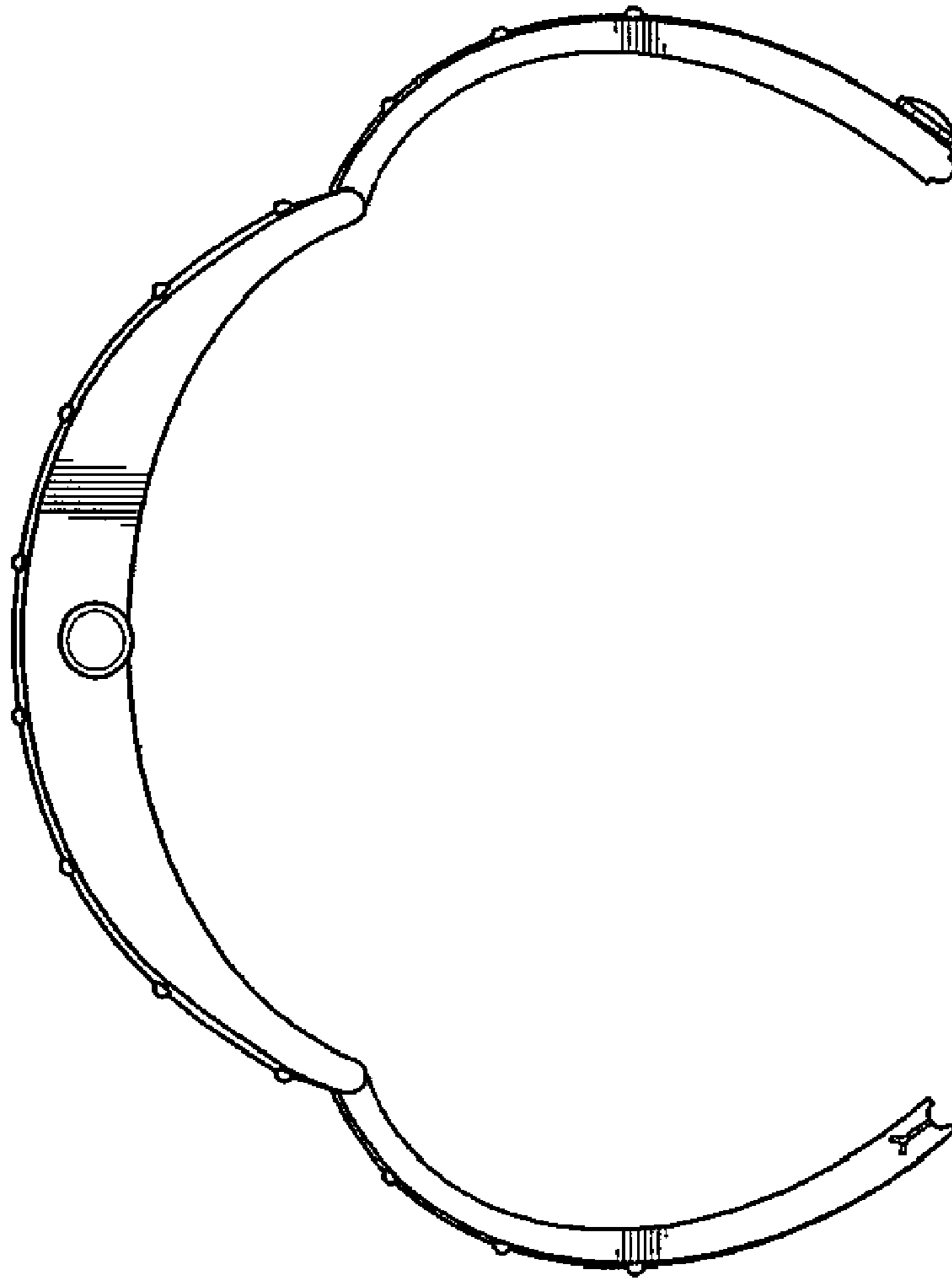


FIG. 52

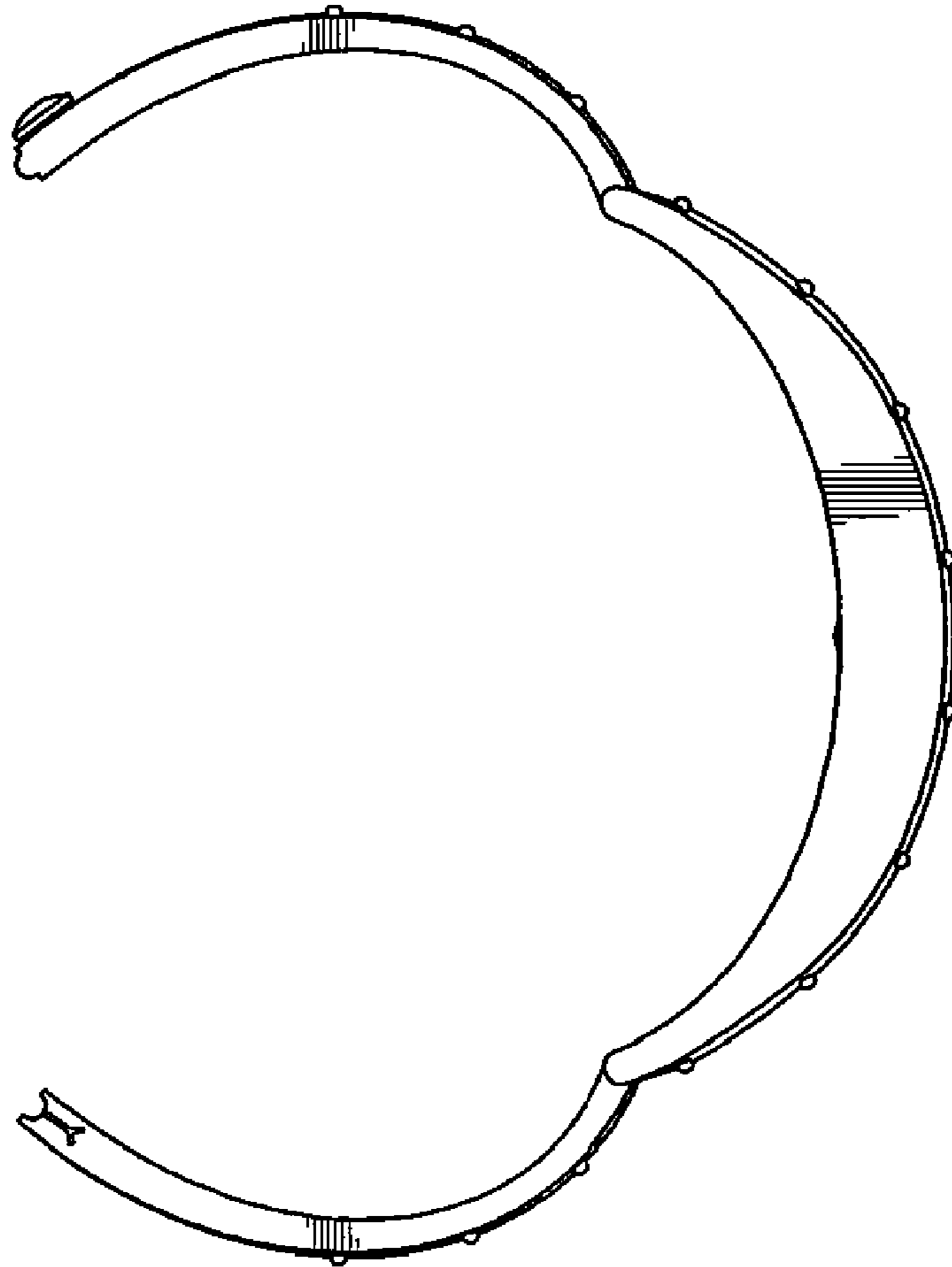


FIG. 53

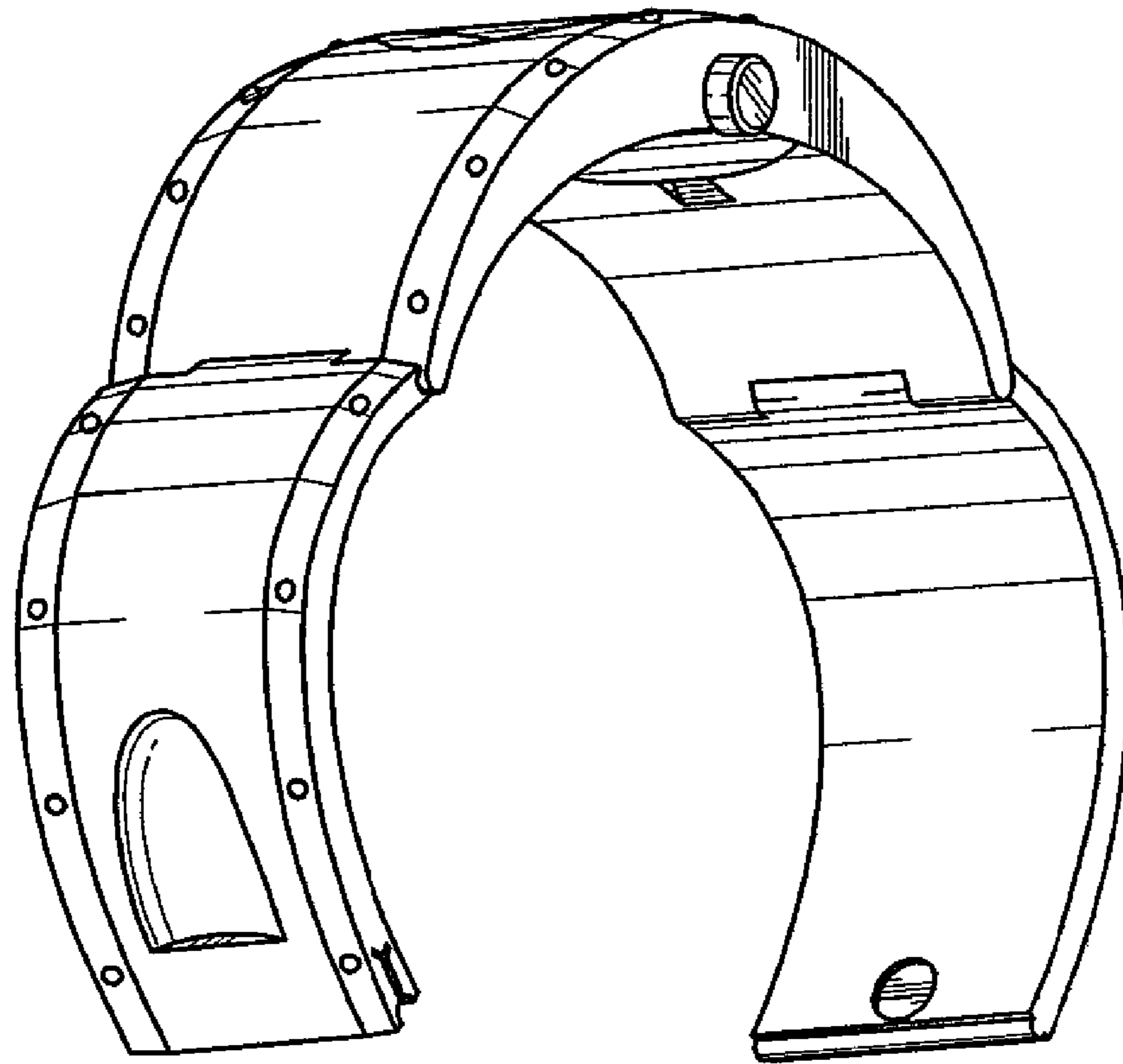


FIG. 54