



US00D570708S

(12) **United States Design Patent**
Kerman

(10) **Patent No.:** **US D570,708 S**

(45) **Date of Patent:** **** Jun. 10, 2008**

(54) **TUBE**

(75) Inventor: **Eric Kerman**, Chalons en Champagne (FR)

(73) Assignee: **Alcan Packaging Beauty Services** (FR)

(**) Term: **14 Years**

(21) Appl. No.: **29/260,801**

(22) Filed: **Jun. 1, 2006**

(30) **Foreign Application Priority Data**

Apr. 20, 2006 (EM) 000 518 113

(51) **LOC (8) Cl.** **09-05**

(52) **U.S. Cl.** **D9/697**

(58) **Field of Classification Search** D9/695-699,
D9/723-724, 442, 447, 499; 222/92, 107,
222/215; 220/7; D28/7, 76; 401/261-262,
401/264-265, 266-267, 200-202, 207
See application file for complete search history.

(56) **References Cited**

U.S. PATENT DOCUMENTS

538,975 A * 5/1895 Montoli 379/84
766,556 A * 8/1904 Symonds 401/266
D201,928 S * 8/1965 Theodore D9/697
D281,055 S * 10/1985 Dombroski D9/697

4,884,250 A * 11/1989 Kitzinger et al. 367/180
D307,191 S * 4/1990 Blutenthal D28/7
D351,338 S * 10/1994 Koptis D9/697
D358,760 S * 5/1995 Sherman et al. D9/697
D376,100 S * 12/1996 Beaver D9/697
D414,688 S * 10/1999 Loeb et al. D9/697
D423,355 S * 4/2000 Loeb et al. D9/447
D454,780 S * 3/2002 Leboeuf et al. D9/697
D532,700 S * 11/2006 Py et al. D9/697

* cited by examiner

Primary Examiner—Caron D. Veynar

Assistant Examiner—Abraham Bahta

(74) *Attorney, Agent, or Firm*—Cantor Colburn LLP

(57) **CLAIM**

The ornamental design for a tube, as shown and described.

DESCRIPTION

FIG. 1 is a front and top perspective view of a tube showing my new design;

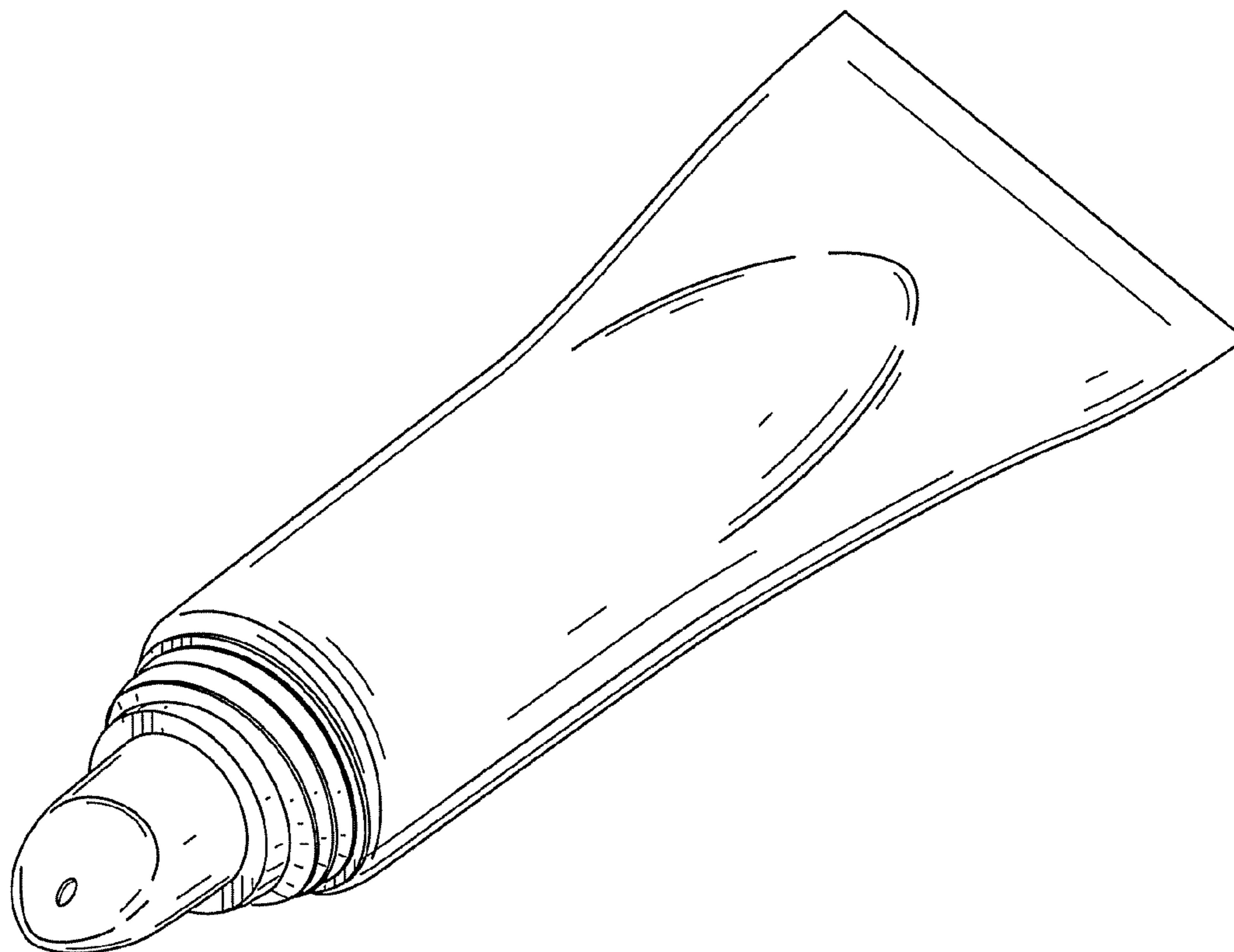
FIG. 2 is a front elevation view thereof;

FIG. 3 is a side elevation view thereof taken from the right of FIG. 2, the opposite side being a mirror image thereof;

FIG. 4 is a rear elevation view thereof; and,

FIG. 5 is a top plan view thereof.

1 Claim, 5 Drawing Sheets



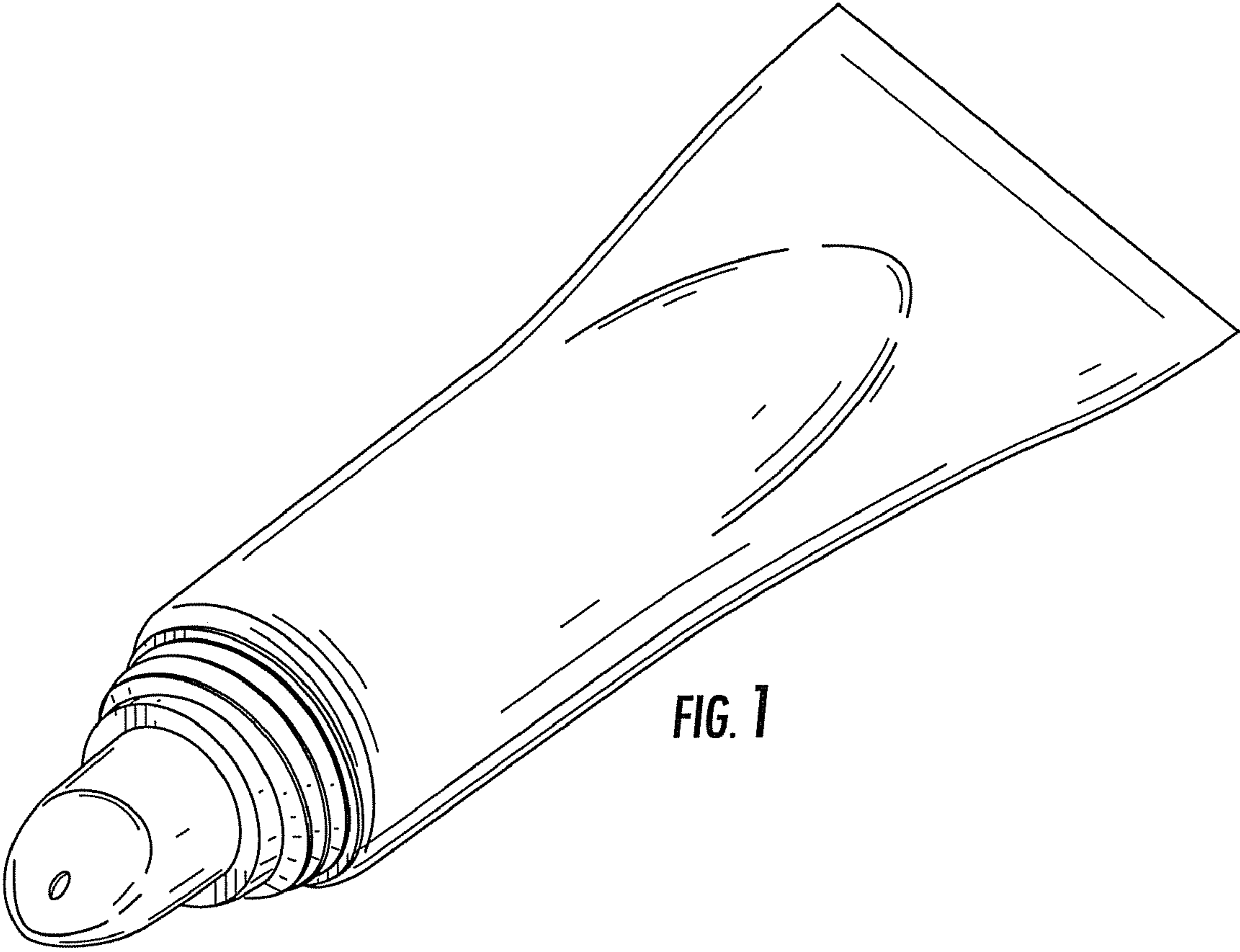


FIG. 1

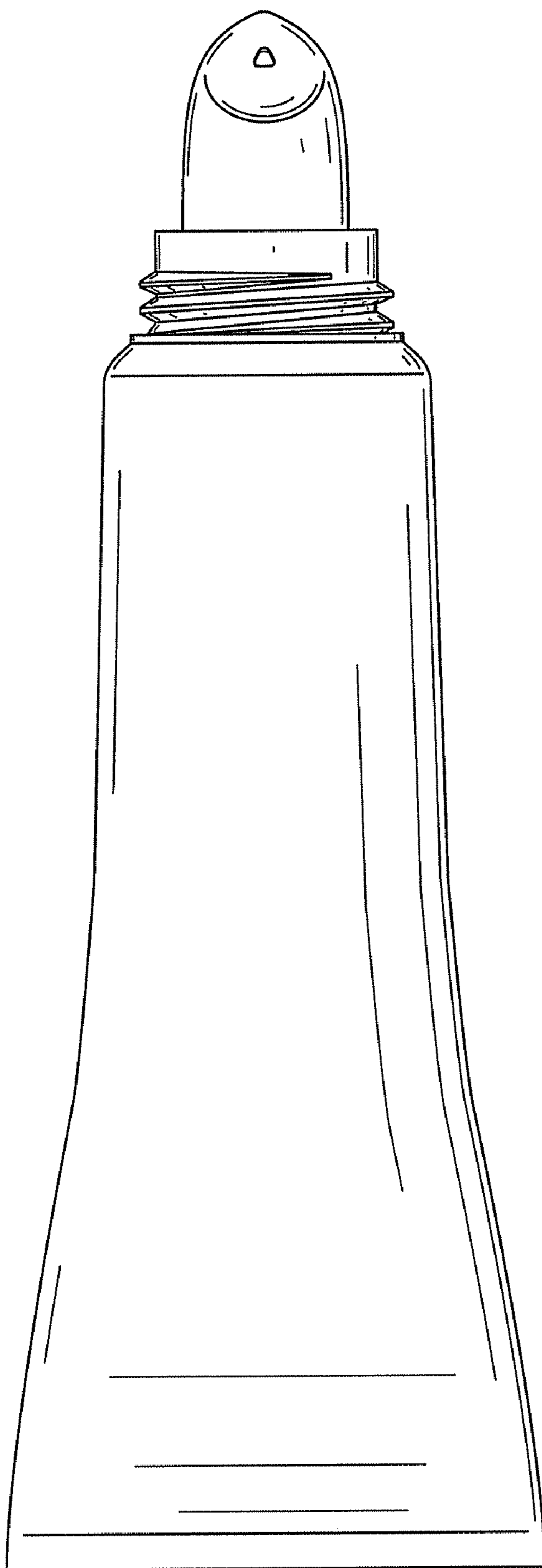


FIG. 2

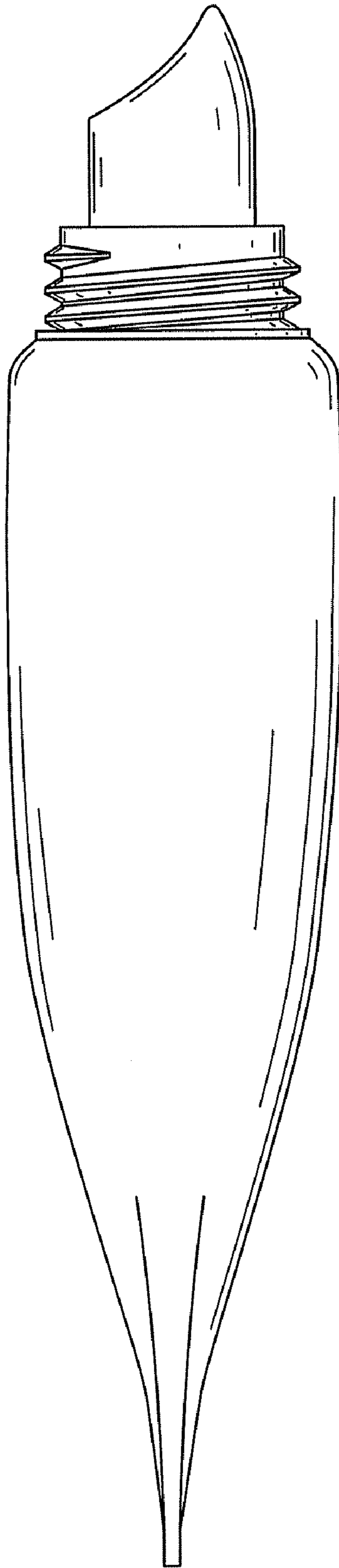


FIG. 3

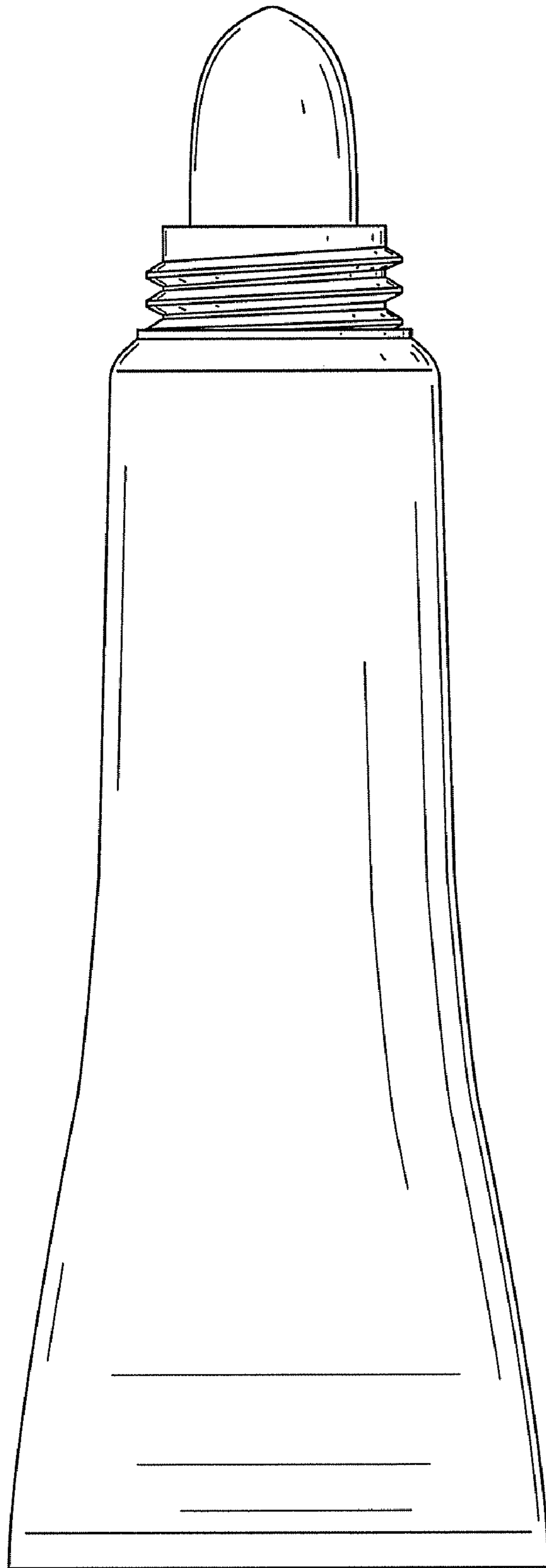


FIG. 4

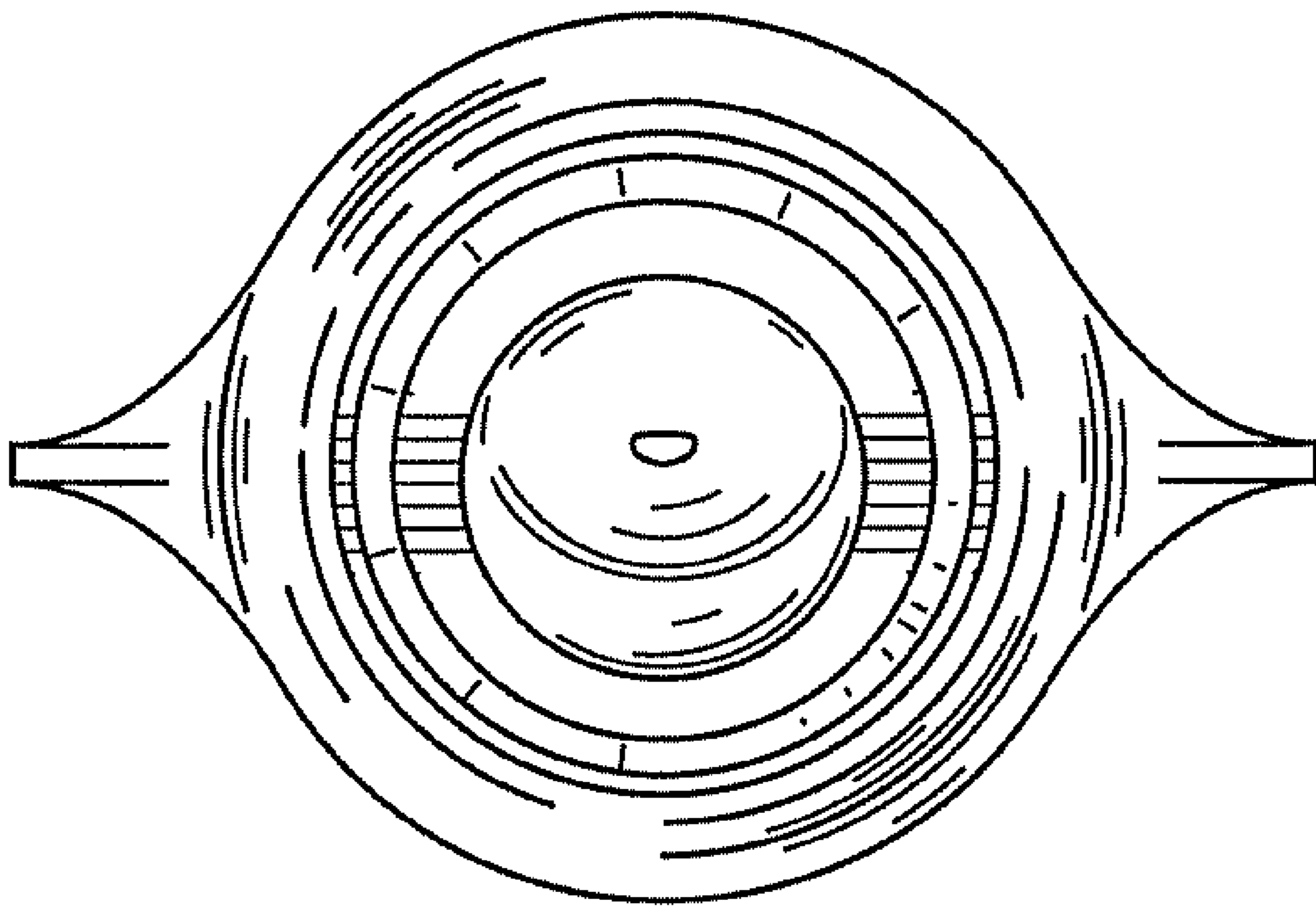


FIG. 5