



US00D570706S

(12) **United States Design Patent**
Kanda

(10) **Patent No.:** **US D570,706 S**
(45) **Date of Patent:** **** *Jun. 10, 2008**

(54) **ACCORDION-FOLDED CONTAINER**

(75) Inventor: **Norio Kanda**, Sakuragawa (JP)

(73) Assignee: **Lube Corporation**, Tokyo (JP)

(*) Notice: This patent is subject to a terminal disclaimer.

(**) Term: **14 Years**

(21) Appl. No.: **29/274,680**

(22) Filed: **May 15, 2007**

(51) **LOC (8) Cl.** **09-01**

(52) **U.S. Cl.** **D9/683**

(58) **Field of Classification Search** D9/500-505,
D9/682-699, 516-575, 442, 452-454; D7/511,
D7/512; D15/150; D18/40, 43, 56; D24/197,
D24/222, 224; 215/11.3, 381, 382, 900;
220/608, 623, 624, 666, 667, 669, 670, 672;
222/92, 107, 202, 203, 206, 207, 213, 215;
141/114, 313

See application file for complete search history.

(56) **References Cited**

U.S. PATENT DOCUMENTS

- 687,790 A * 12/1901 Scales 222/92
- D89,874 S * 5/1933 Conner D9/453
- D103,496 S 3/1937 Funkey
- 2,190,975 A * 2/1940 Brown 401/184
- 2,673,661 A * 3/1954 Barton 222/212
- 2,738,107 A * 3/1956 Graham 222/215
- 2,780,378 A 2/1957 Romano
- 3,083,877 A 4/1963 Gash
- 3,163,544 A * 12/1964 Valyi 426/112
- 3,172,577 A * 3/1965 Hartung 222/206
- 3,201,111 A 8/1965 Afton
- 3,301,293 A 1/1967 Santelli
- 3,939,887 A 2/1976 Scarnato
- D241,009 S 8/1976 Brady et al.
- D241,884 S 10/1976 Gross
- D286,856 S 11/1986 Anscomb
- 4,700,856 A * 10/1987 Campbell et al. 215/11.3

- 4,775,564 A 10/1988 Shriver et al.
- 4,790,361 A 12/1988 Jones et al.
- D308,476 S * 6/1990 Rosenberg D9/725
- 5,002,193 A 3/1991 Touzani
- D318,800 S 8/1991 Serkes et al.
- 5,207,250 A 5/1993 Tsao
- 5,310,068 A 5/1994 Saghri
- 5,333,761 A * 8/1994 Davis et al. 222/212
- 5,447,110 A 9/1995 Brown
- D372,667 S 8/1996 Mazda
- D372,669 S * 8/1996 Mazda D9/683

(Continued)

FOREIGN PATENT DOCUMENTS

EM 000398698-0001 1/2005

(Continued)

Primary Examiner—Catherine Tuttle
(74) *Attorney, Agent, or Firm*—Steptoe & Johnson LLP

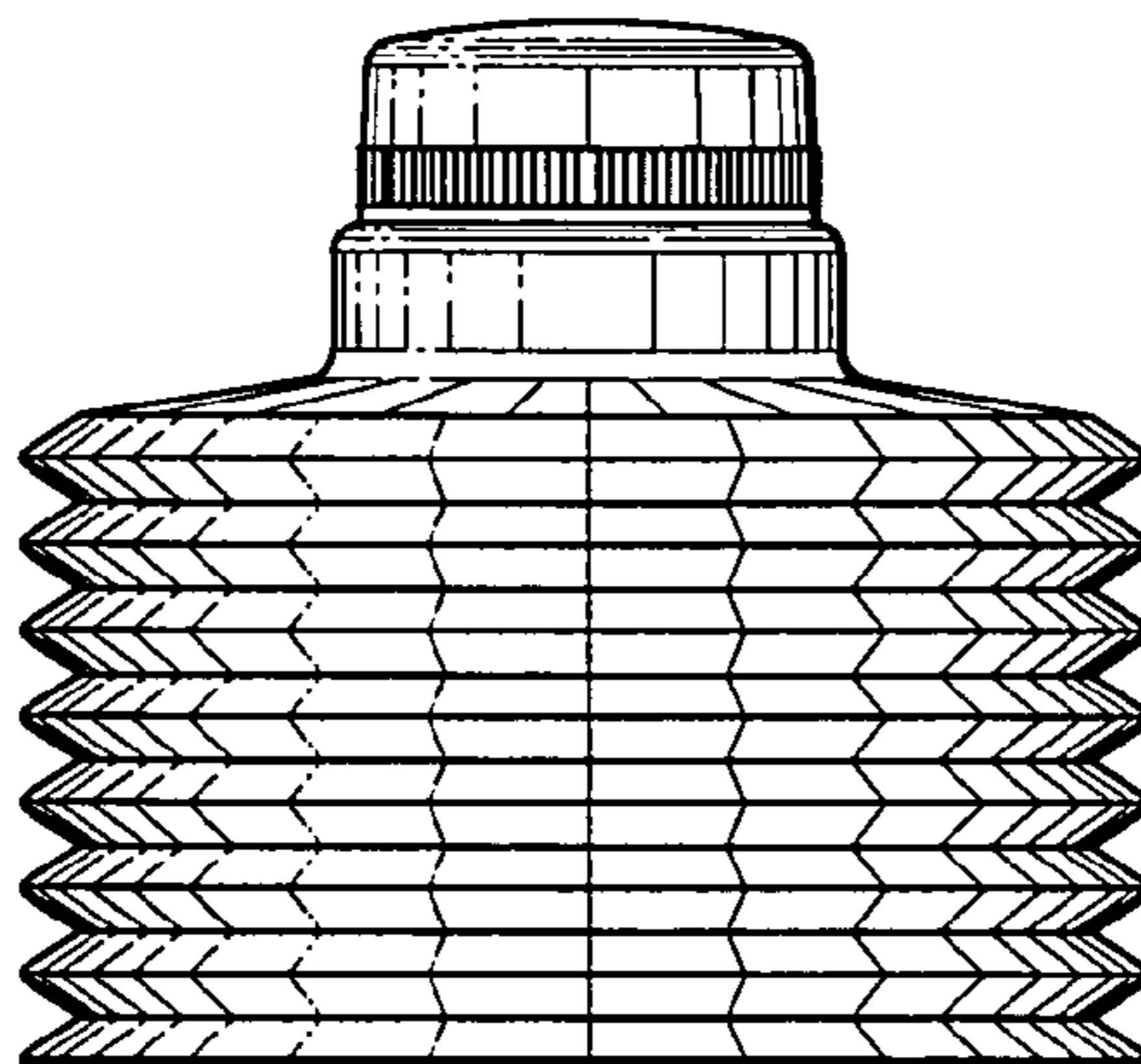
(57) **CLAIM**

The ornamental design for an accordion-folded container, as shown and described.

DESCRIPTION

The claimed design may be used as a lubricant container. FIG. 1 is a front view of an accordion-folded container embodying the ornamental design; FIG. 2 is a back view of the container of FIG. 1; FIG. 3 is a left side view of the container of FIG. 1; FIG. 4 is a right side view of the container of FIG. 1; FIG. 5 is a top plan view of the container of FIG. 1; and, FIG. 6 is a bottom view of the container of FIG. 1.

1 Claim, 6 Drawing Sheets



US D570,706 S

Page 2

U.S. PATENT DOCUMENTS

5,573,129 A 11/1996 Nagata et al.
5,584,413 A 12/1996 Jung
D401,344 S 11/1998 Bonds
D402,029 S * 12/1998 Shinabarger D24/146
D404,824 S * 1/1999 Neiley D24/197
5,862,940 A 1/1999 Chism et al.
5,979,326 A 11/1999 Ohinata
6,105,815 A 8/2000 Mazda
6,296,131 B2 10/2001 Rashid
6,334,543 B1 1/2002 Abbondandolo
D474,973 S 5/2003 Higuchi
6,598,755 B1 7/2003 Pedulla et al.
6,662,964 B2 12/2003 Higuchi
D493,724 S 8/2004 Higuchi
6,840,164 B2 * 1/2005 Eastman 99/532
D509,146 S * 9/2005 Higuchi D9/683
D509,439 S 9/2005 Higuchi

D510,035 S 9/2005 Higuchi
D518,736 S 4/2006 Higuchi
D526,907 S 8/2006 Higuchi
7,108,151 B2 9/2006 Higuchi
2001/0006164 A1 7/2001 De Begon de Larouziere
2003/0006240 A1 * 1/2003 Higuchi 220/667
2004/0040972 A1 3/2004 Haj
2004/0211747 A1 10/2004 Whitley
2005/0139573 A1 6/2005 Higuchi
2005/0202192 A1 * 9/2005 Higuchi 428/35.7
2006/0081555 A1 4/2006 Mori et al.
2006/0261031 A1 11/2006 Melrose
2007/0000859 A1 1/2007 Pedulla et al.

FOREIGN PATENT DOCUMENTS

GB 2181062 A * 4/1987

* cited by examiner

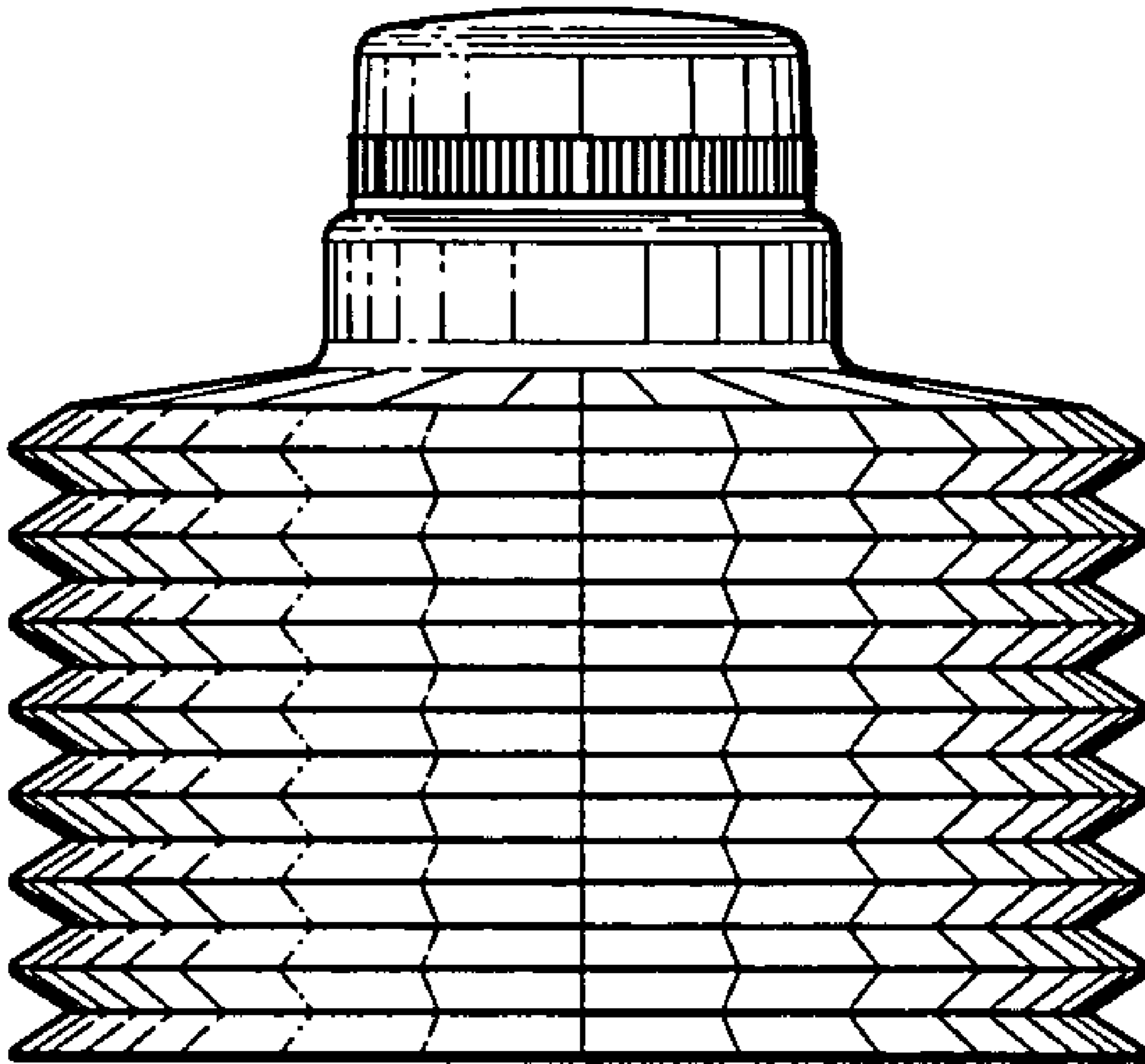


FIG. 1

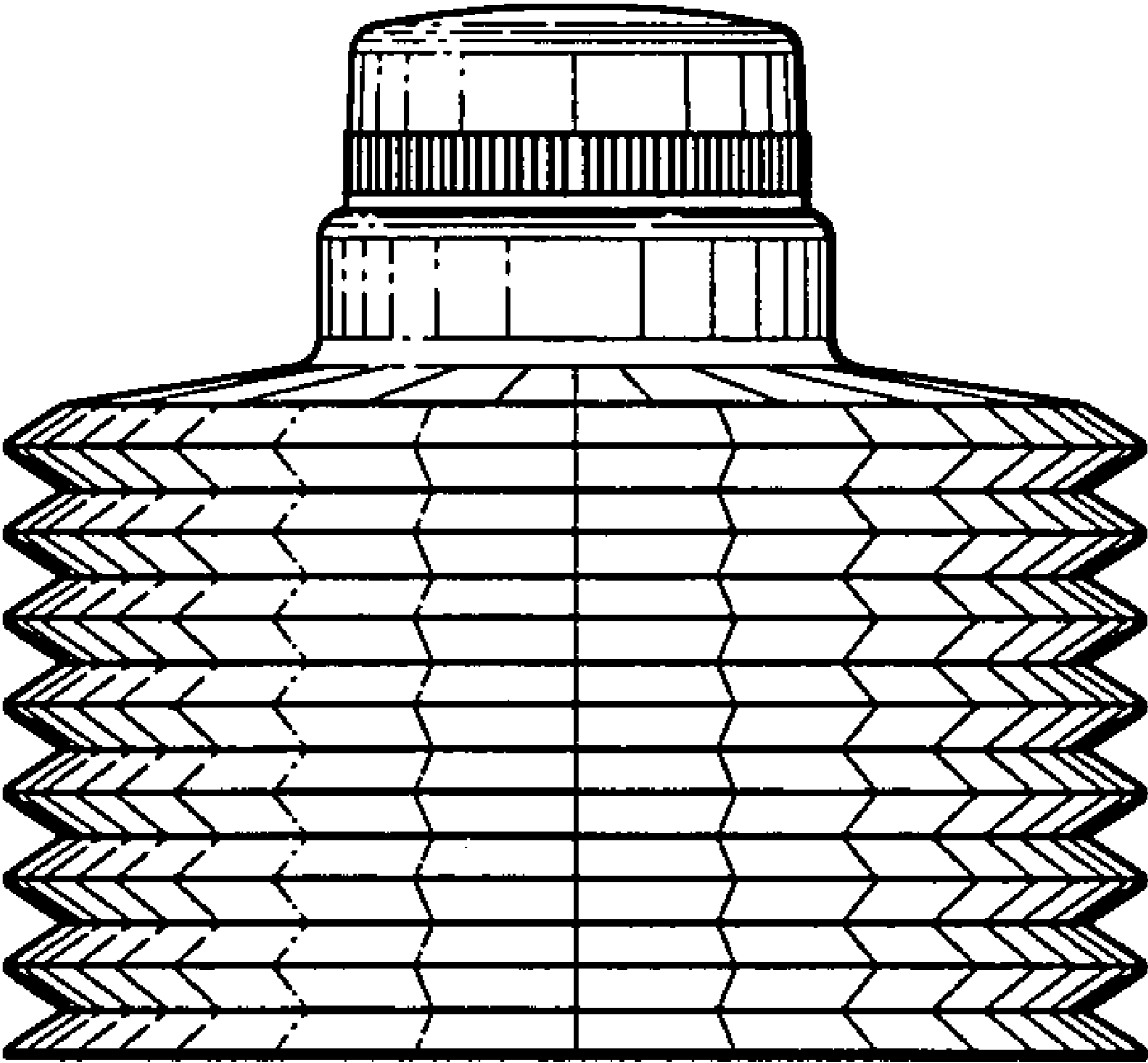


FIG. 2

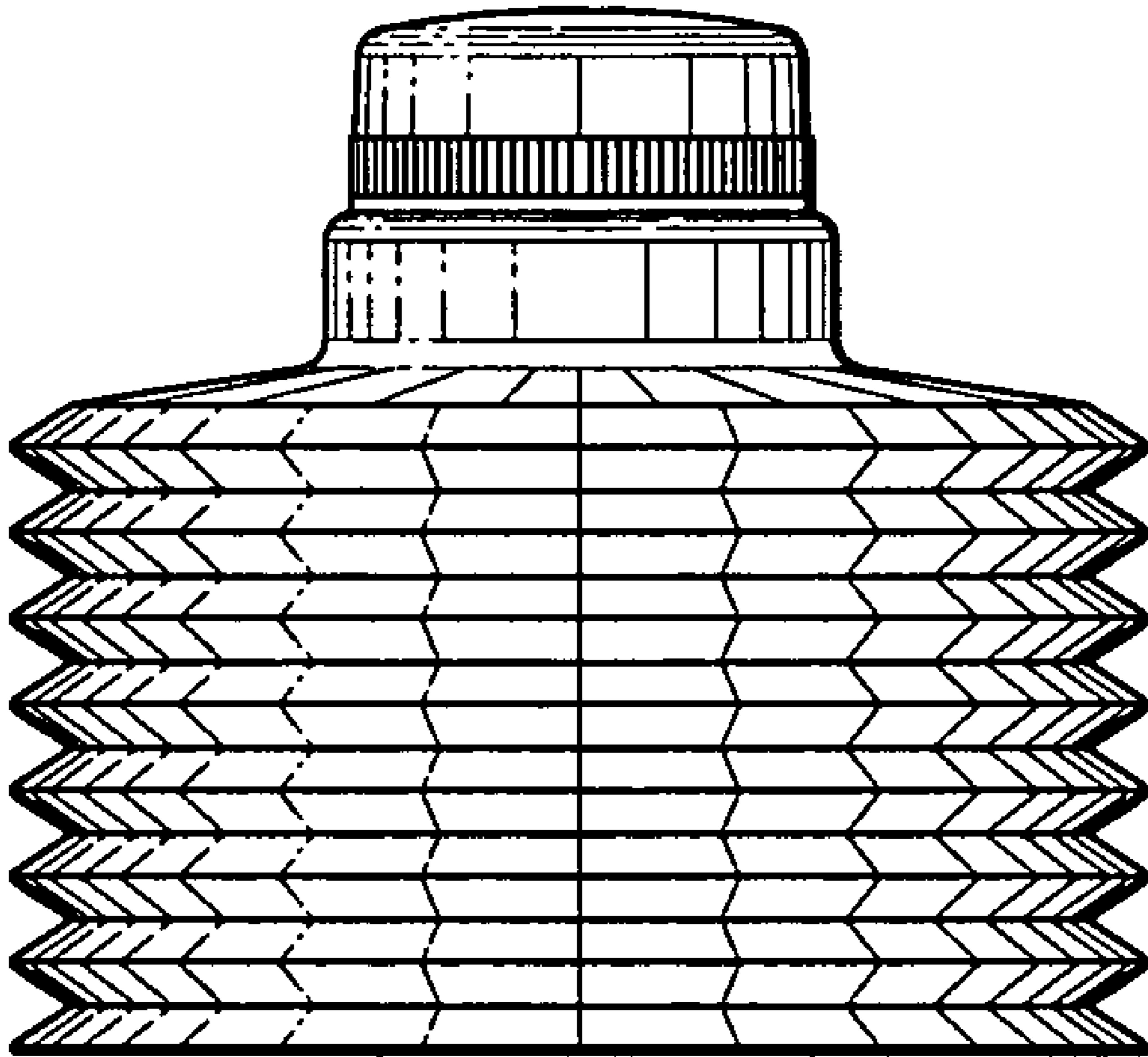


FIG. 3

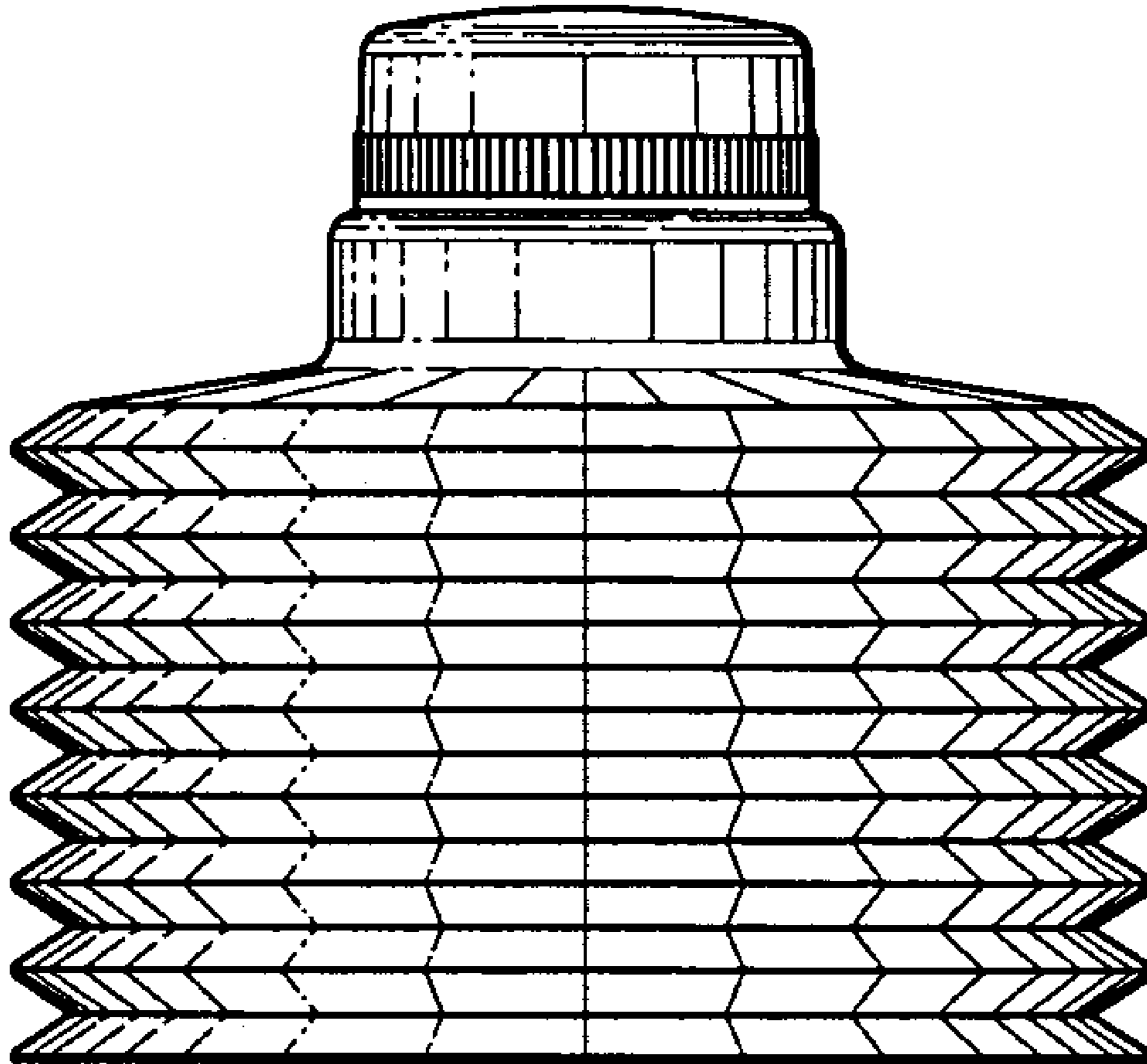


FIG. 4

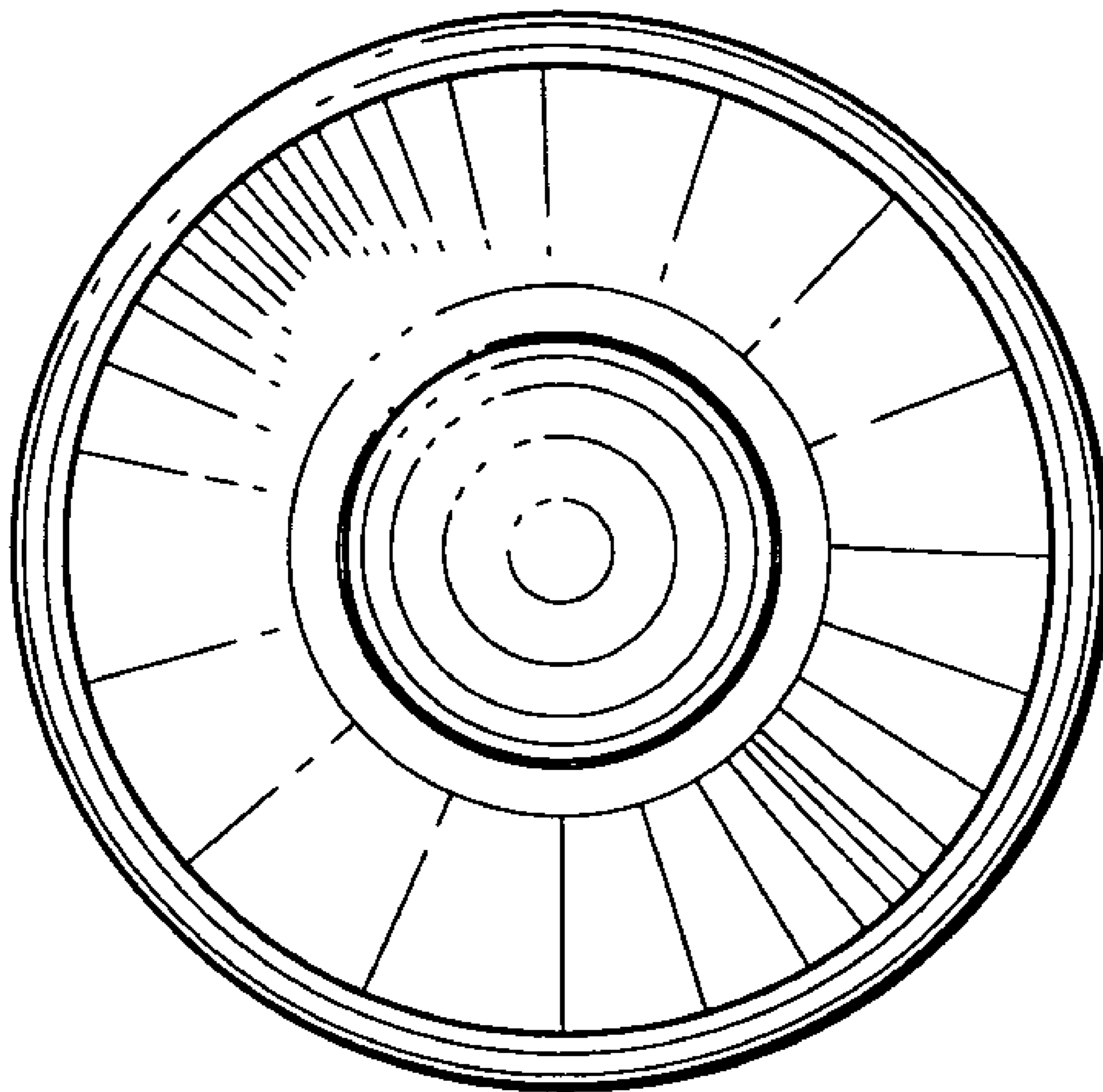


FIG. 5

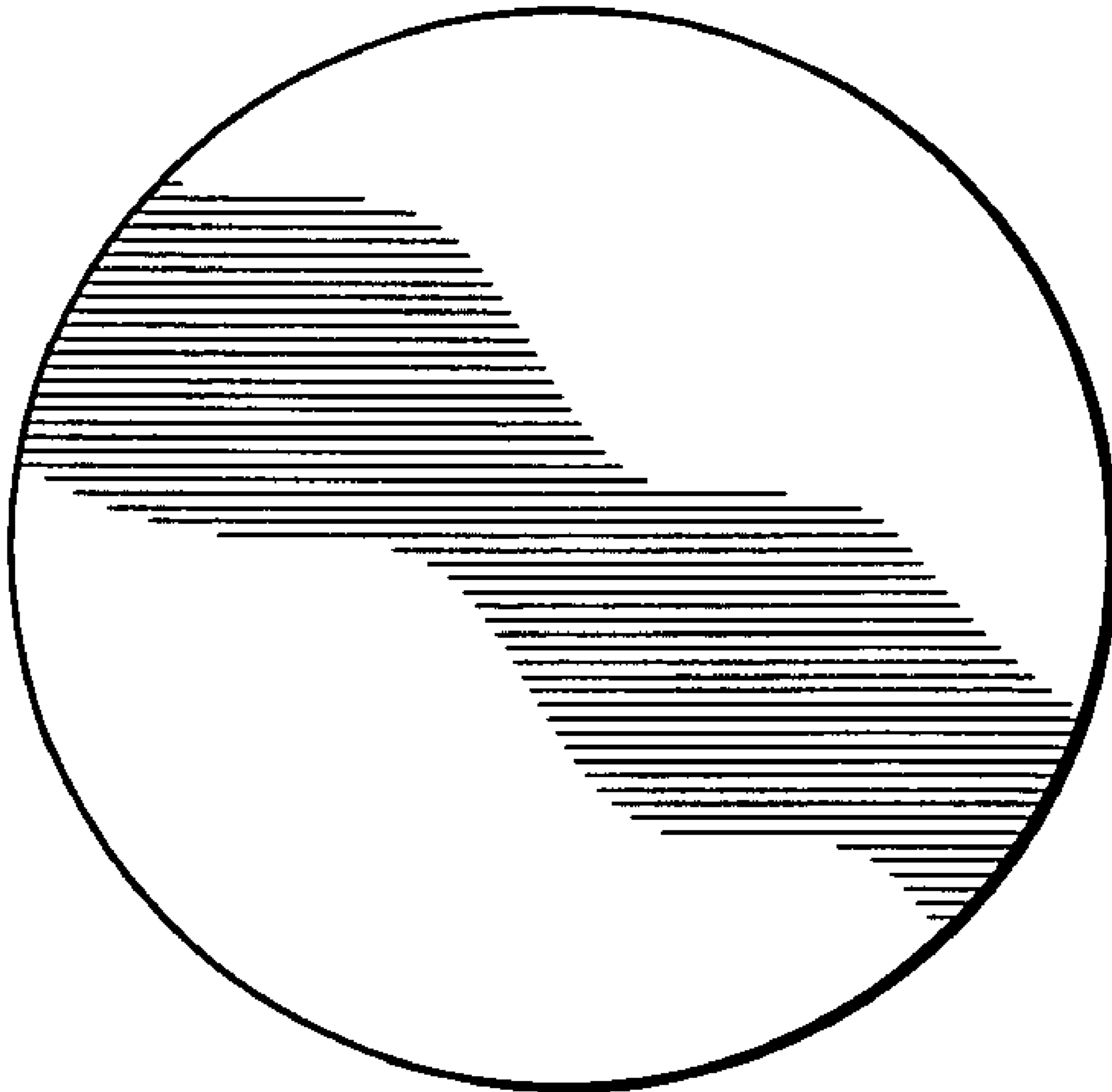


FIG. 6