



US00D570704S

(12) **United States Design Patent**  
**Boudard**

(10) **Patent No.:** **US D570,704 S**

(45) **Date of Patent:** **\*\* Jun. 10, 2008**

(54) **BOTTLE**

(75) Inventor: **Denis Boudard**, Levallois Perret (FR)

(73) Assignee: **The Procter and Gamble Company**,  
Cincinnati, OH (US)

(\*\*) Term: **14 Years**

(21) Appl. No.: **29/254,893**

(22) Filed: **Mar. 1, 2006**

(30) **Foreign Application Priority Data**

Sep. 1, 2005 (EM) ..... 000393251

(51) **LOC (8) Cl.** ..... **09-01**

(52) **U.S. Cl.** ..... **D9/682; D9/694**

(58) **Field of Classification Search** ..... D9/682-694,  
D9/516-575; 215/355, 379, 382, 383, 384;  
220/660, 662, 665, 669, 376, 377

See application file for complete search history.

(56) **References Cited**

U.S. PATENT DOCUMENTS

D102,401 S	*	12/1936	Shulman	.....	D9/522
D119,304 S	*	3/1940	Higgins	.....	D9/544
D253,455 S	*	11/1979	Beene	.....	D9/505
D306,257 S	*	2/1990	Uhmeier	.....	D9/544
D339,071 S	*	9/1993	Mansau	.....	D9/558
D387,994 S	*	12/1997	Heinz	.....	D9/545
D460,918 S	*	7/2002	Mansau	.....	D9/551

D471,086 S	*	3/2003	Helleu	.....	D9/694
D499,652 S	*	12/2004	Mansau	.....	D9/520
D541,663 S	*	5/2007	Sorensen et al.	.....	D9/558
2006/0070975 A1	*	4/2006	Shih	.....	215/379

\* cited by examiner

*Primary Examiner*—Catherine Tuttle

(74) *Attorney, Agent, or Firm*—Andrew J. Hagerty; Brian M. Bolam; Tara M. Rosnell

(57) **CLAIM**

The ornamental design for a bottle, as shown and described.

**DESCRIPTION**

FIG. 1 is a perspective view of a bottle showing my new design;

FIG. 2 is a front elevational view of the bottle of FIG. 1;

FIG. 3 is a rear elevational view of the bottle of FIG. 1;

FIG. 4 is a left side elevational view of the bottle of FIG. 1;

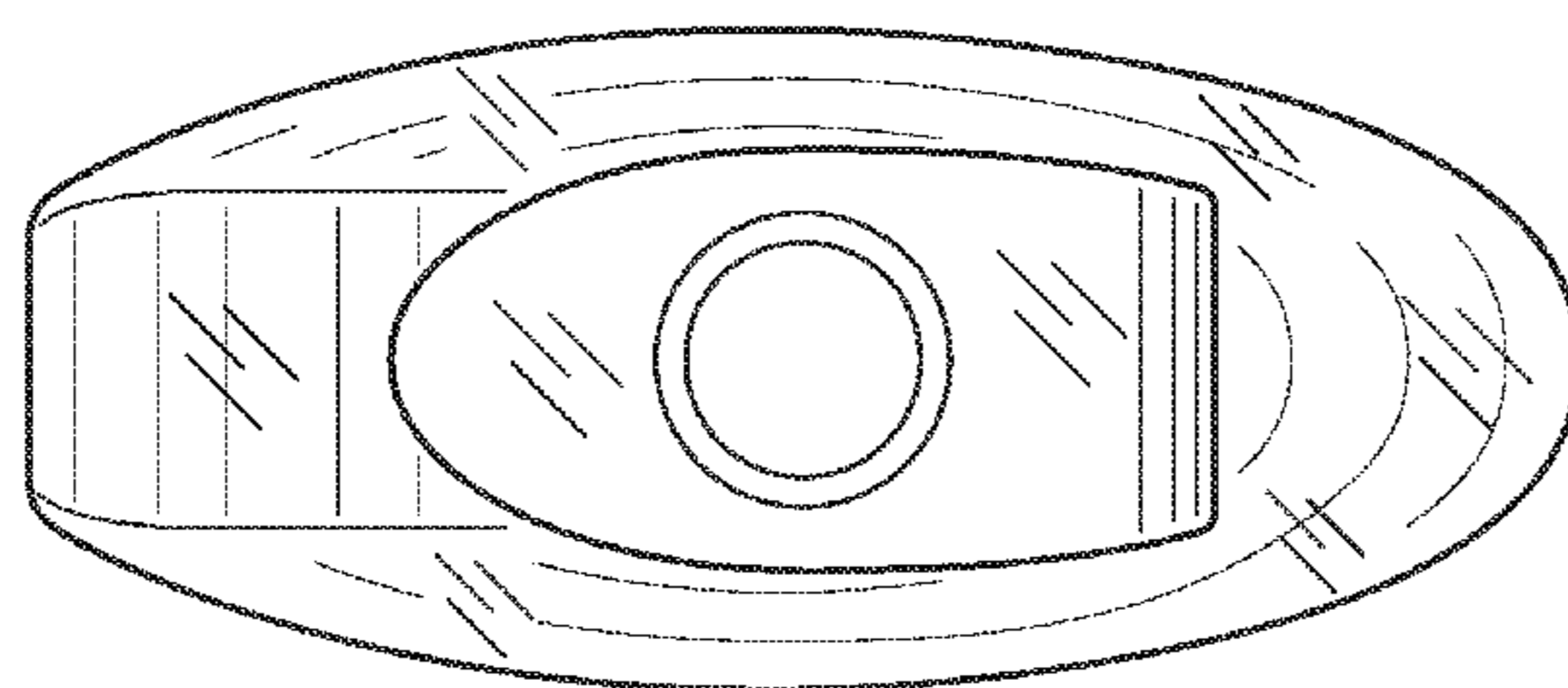
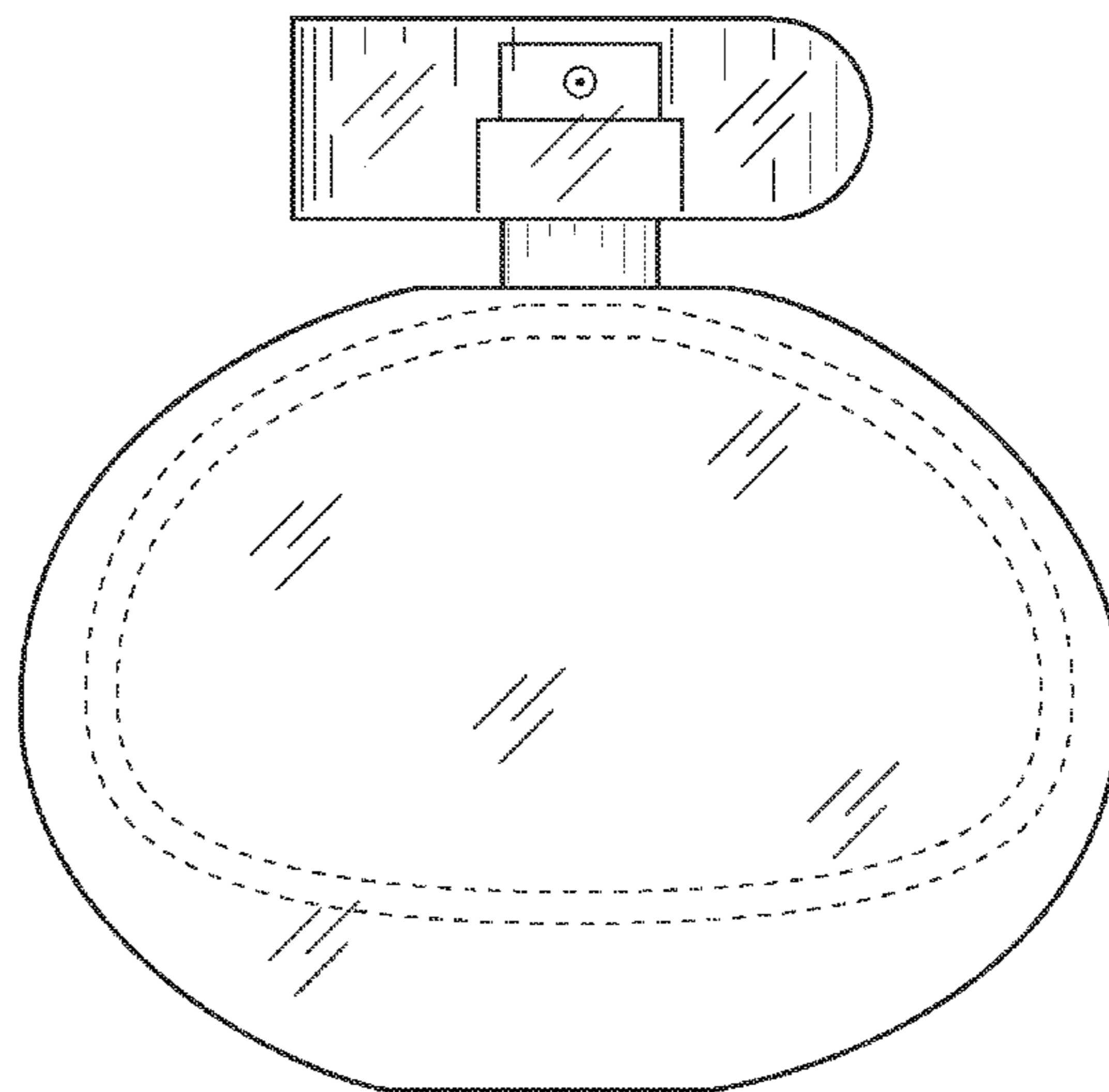
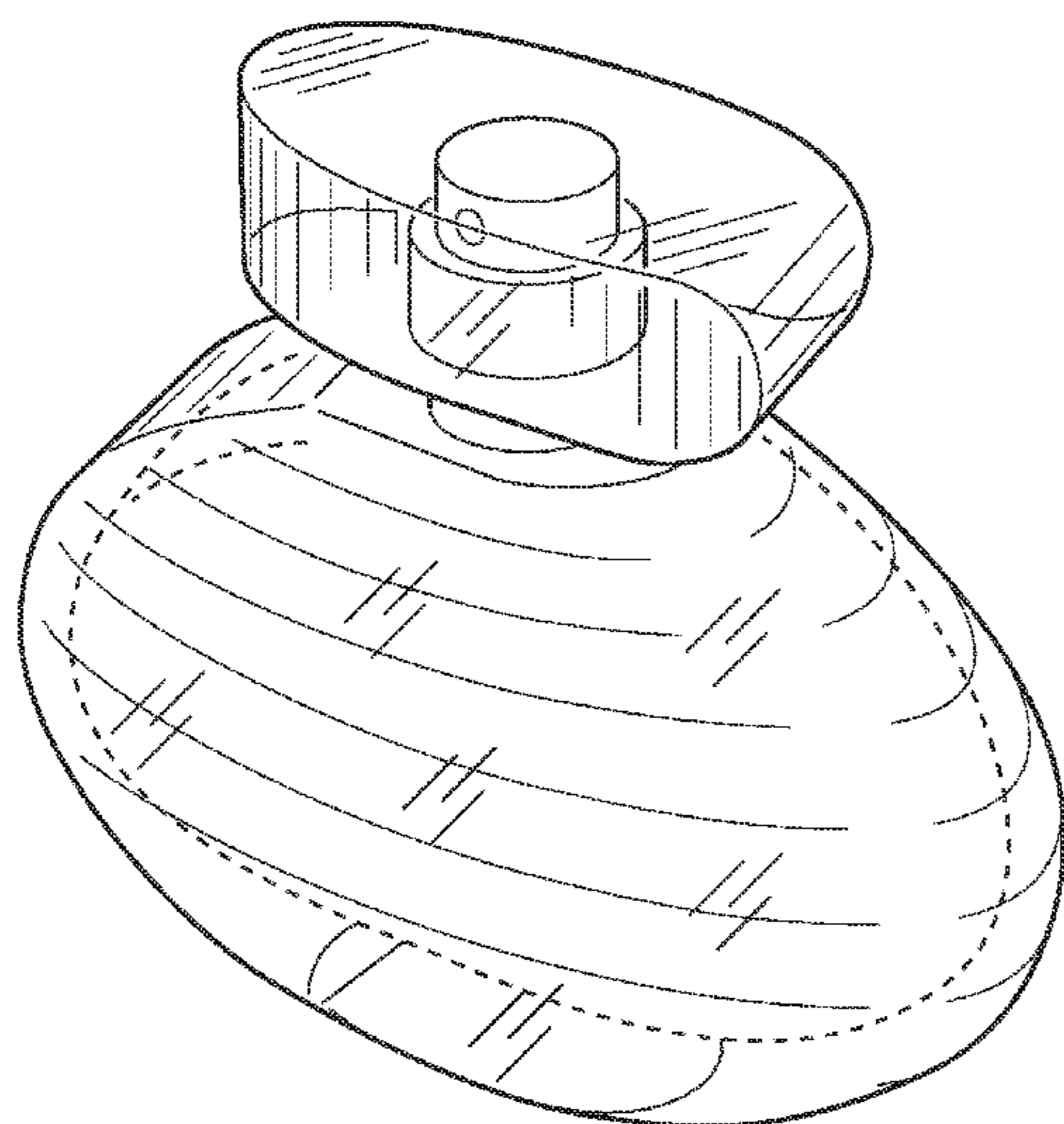
FIG. 5 is a right side elevational view of the bottle of FIG. 1;

FIG. 6 is a top plan view of the bottle of FIG. 1; and,

FIG. 7 is a bottom plan view of the bottle of FIG. 1.

The broken lines are included for the purpose of illustrating visible interior bottle structure that forms no part of the claimed design.

**1 Claim, 5 Drawing Sheets**



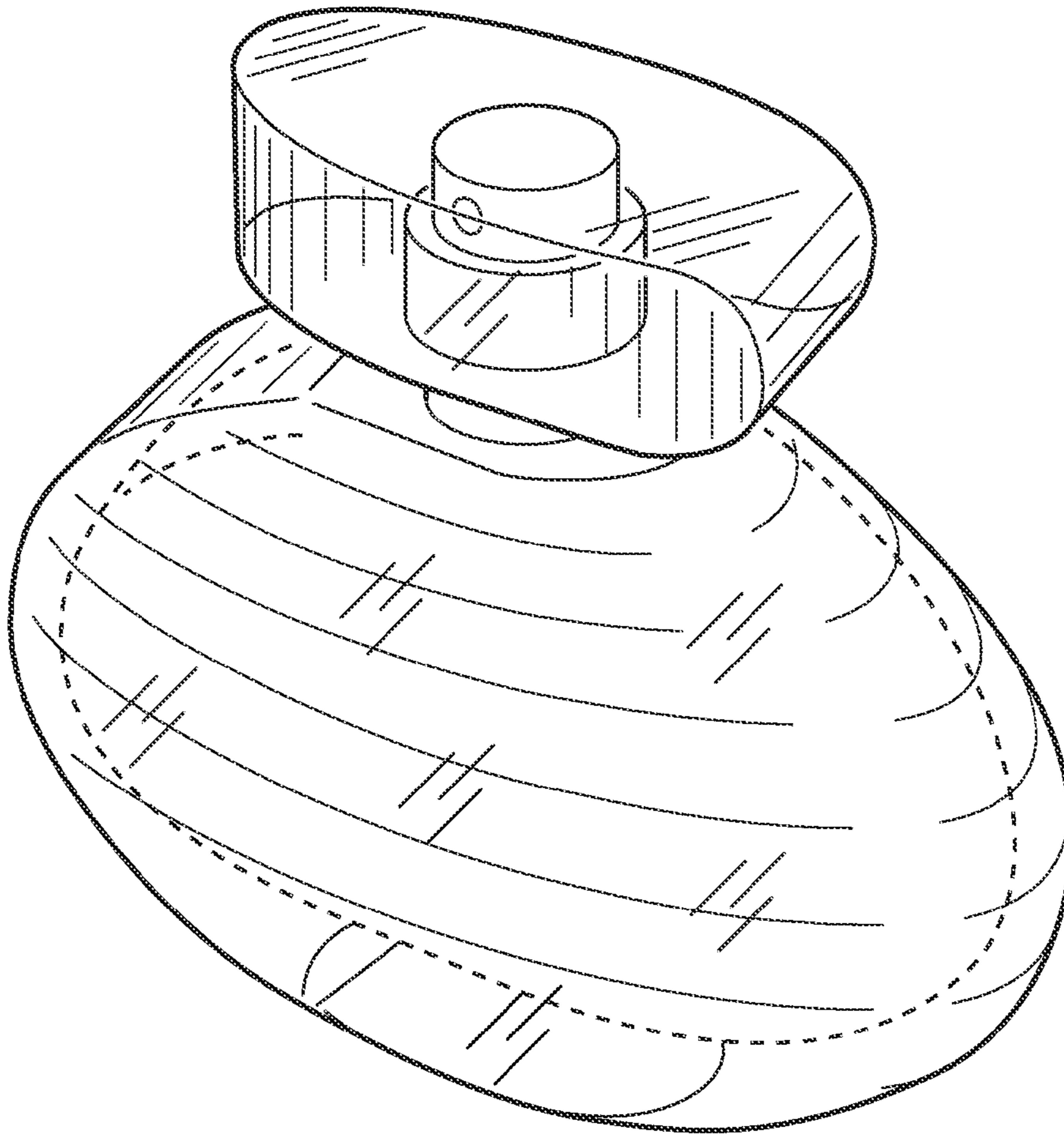


FIG. 1

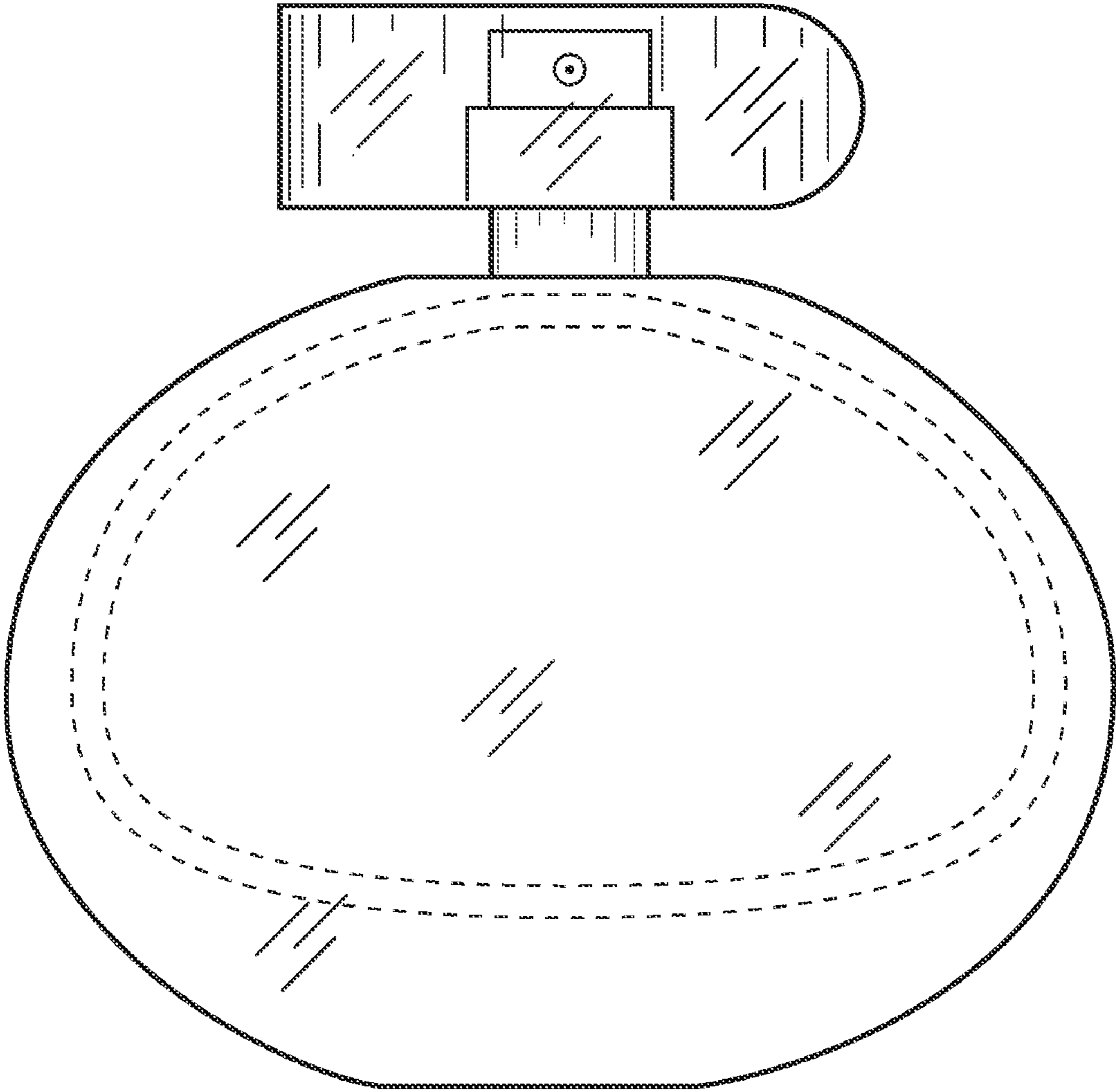


FIG. 2

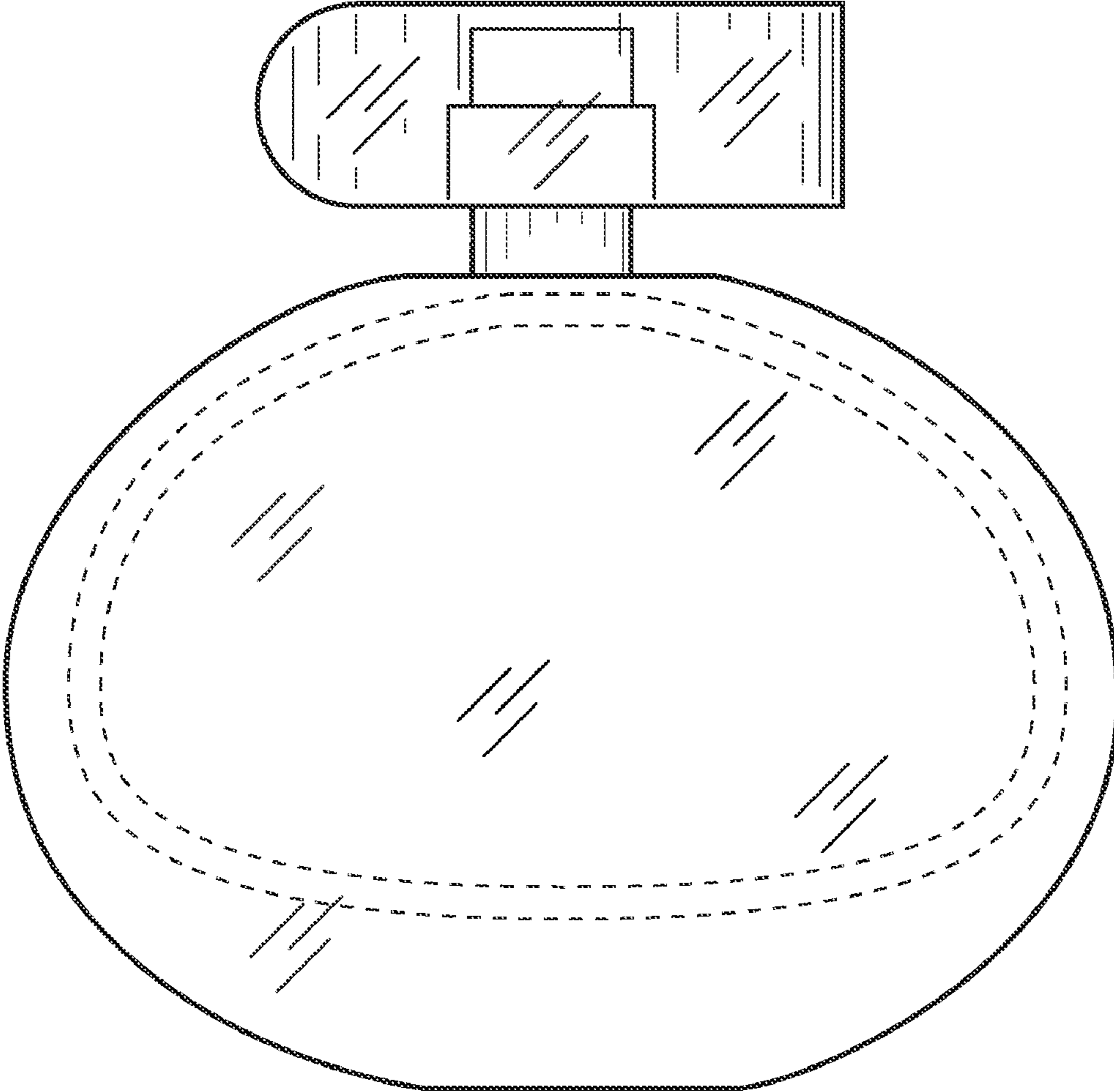


FIG. 3



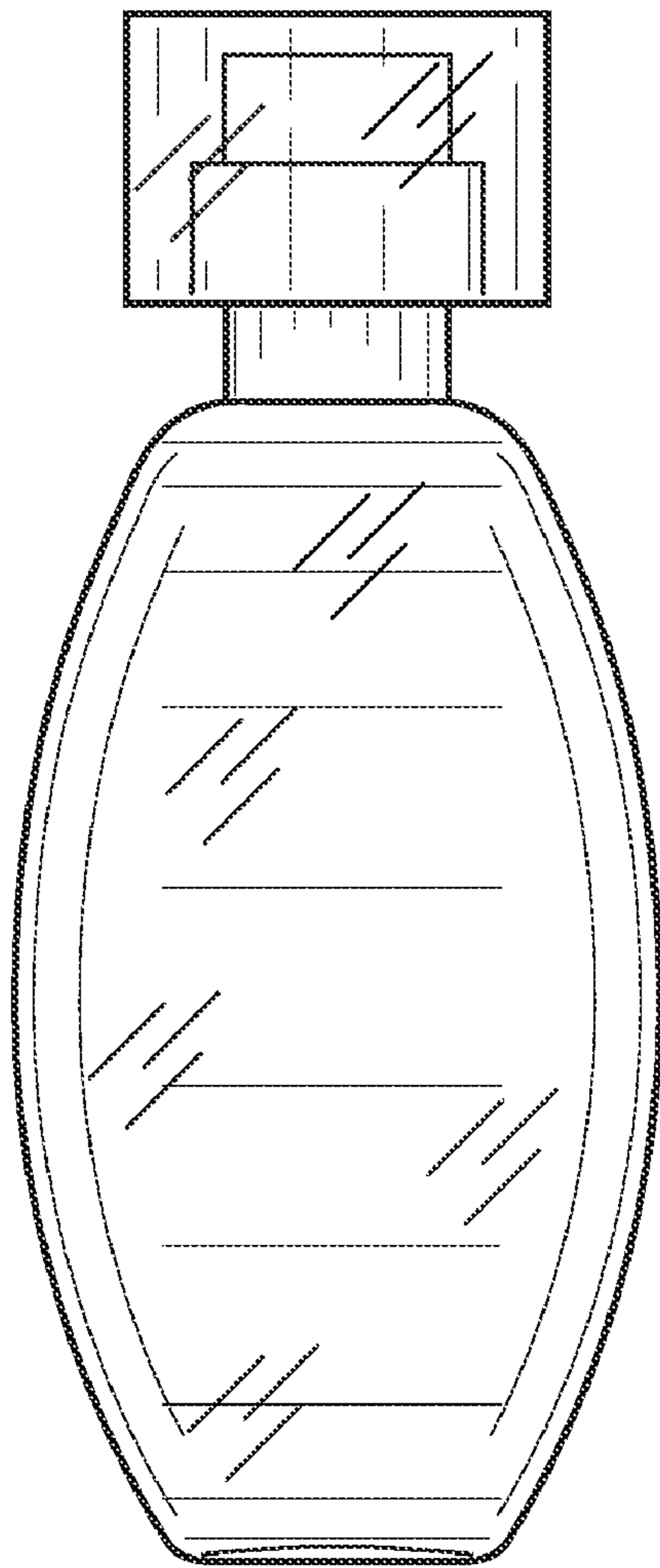


FIG. 4

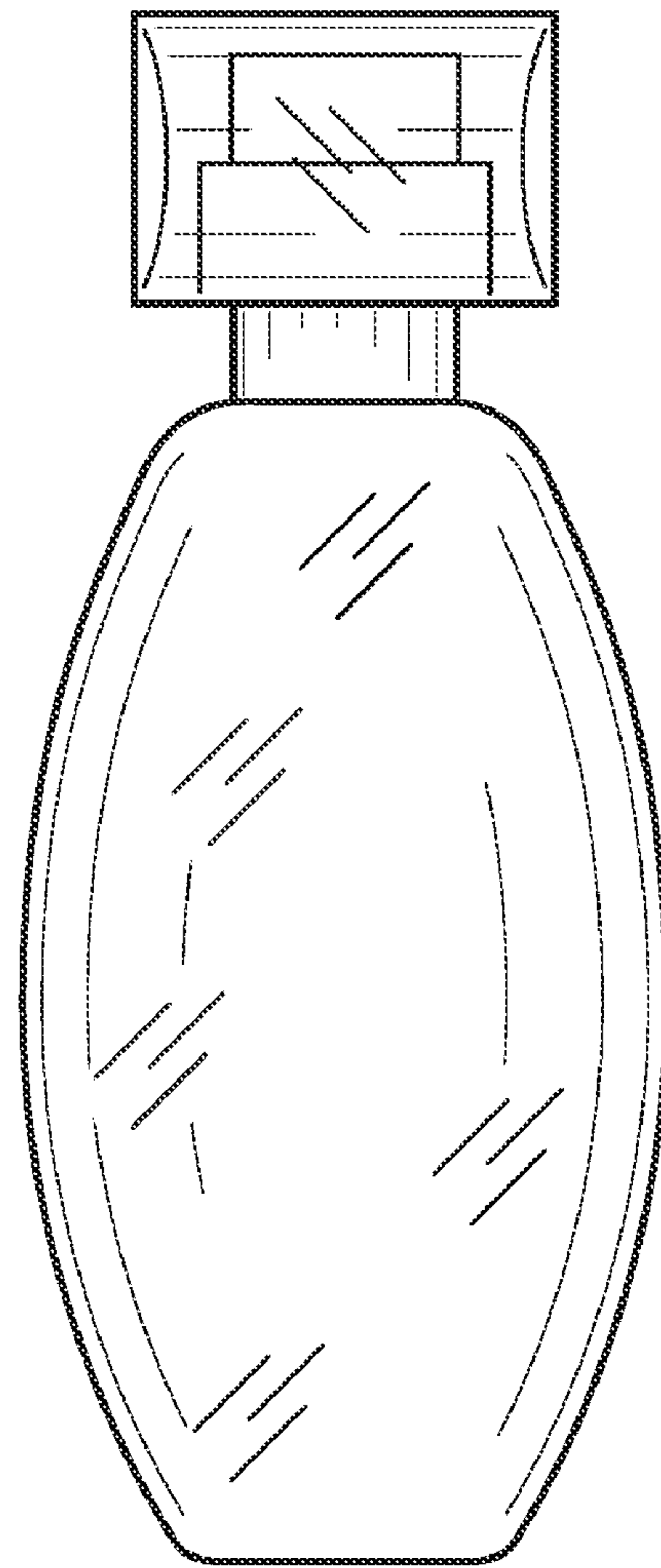


FIG. 5

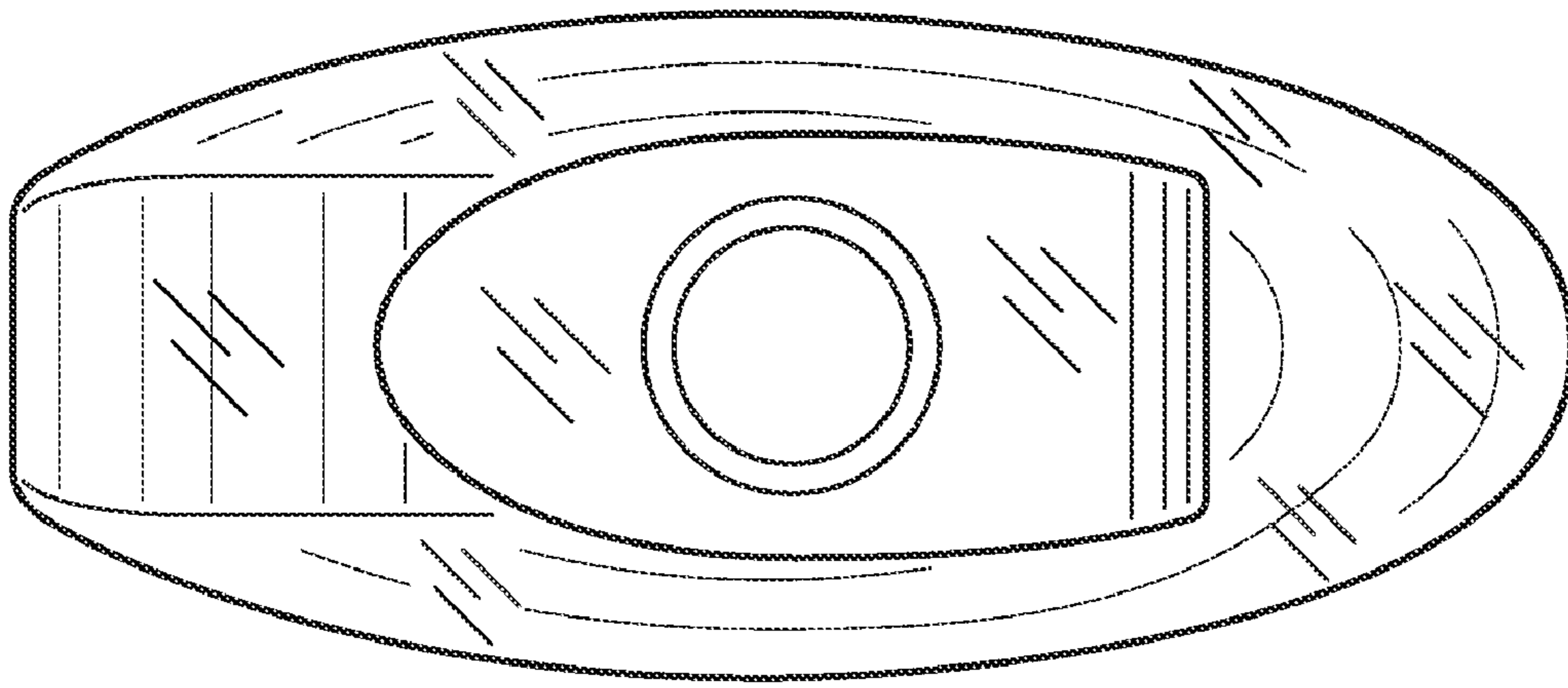


FIG. 6

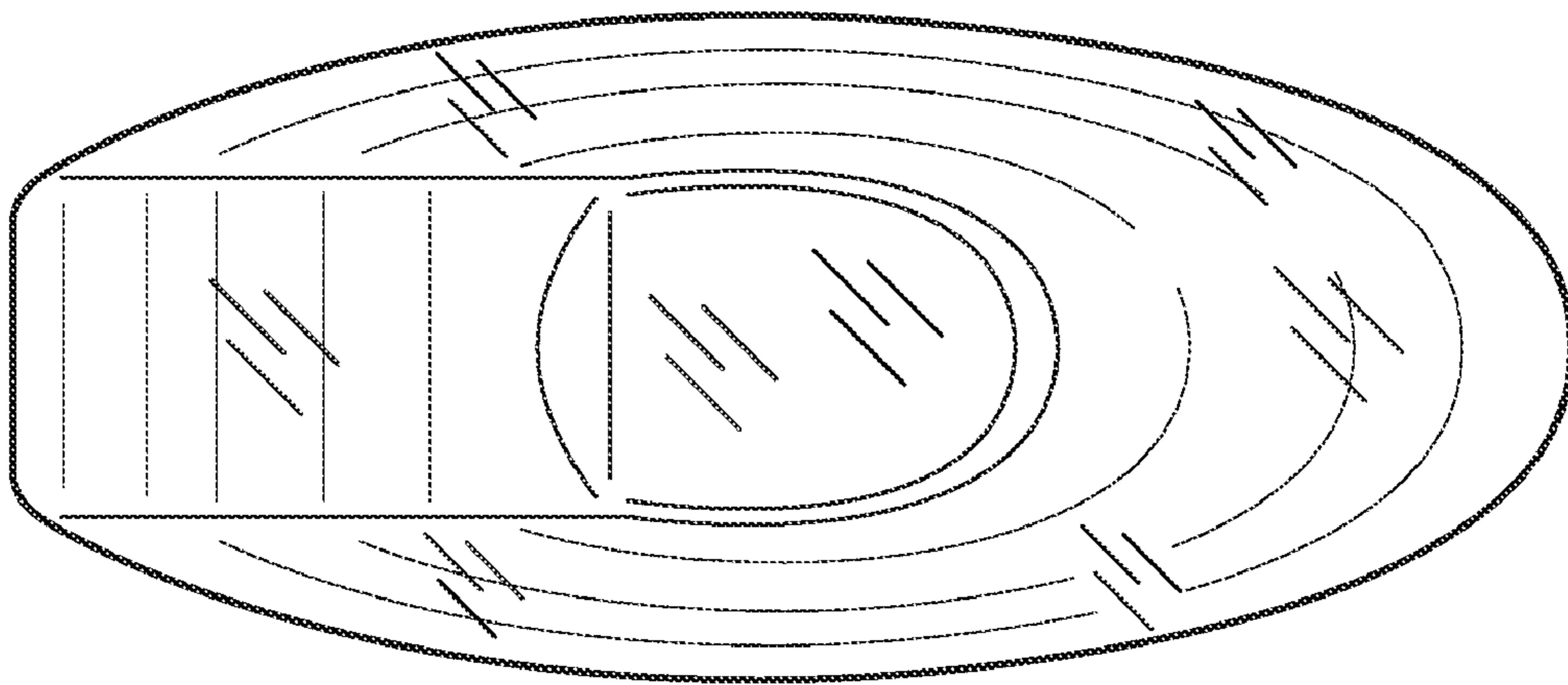


FIG. 7