

US00D570699S

(12) **United States Design Patent**  
**Wagner**

(10) **Patent No.:** **US D570,699 S**

(45) **Date of Patent:** **\*\* Jun. 10, 2008**

(54) **WATER BOTTLE**

(76) Inventor: **Richard Norman Zach Wagner**, 308  
S. Camden Dr., Beverly Hills, CA (US)  
90212

(\*\*) Term: **14 Years**

(21) Appl. No.: **29/288,865**

(22) Filed: **Jun. 25, 2007**

(51) **LOC (8) Cl.** ..... **09-01**

(52) **U.S. Cl.** ..... **D9/535; D9/542; D9/573;**  
D9/574

(58) **Field of Classification Search** ..... D9/682,  
D9/687, 694, 516, 530, 535, 541-542, 544,  
D9/551, 559-561, 564, 572-574; 215/382-385;  
220/661

See application file for complete search history.

(56) **References Cited**

**U.S. PATENT DOCUMENTS**

43,154	A	*	6/1864	Heneage	.....	215/383	X
D29,092	S	*	7/1898	Freeman	.....	D9/544	X
D77,805	S	*	2/1929	Bicks	.....	D9/535	X
D95,888	S	*	6/1935	Adams	.....	D9/563	
D127,478	S	*	5/1941	Brown	.....	D9/543	X
D183,940	S	*	11/1958	Luxardo et al.	.....	D9/535	
3,054,535	A	*	9/1962	Clarey	.....	215/382	X
D275,369	S	*	9/1984	Heriart-Dubreuil	.....	D9/544	
D304,687	S	*	11/1989	Miyakawa	.....	D9/569	
D306,971	S	*	4/1990	Daucourt	.....	D9/544	X
D339,988	S	*	10/1993	Cooper	.....	D9/568	X
D380,683	S	*	7/1997	Rothschild, III	.....	D9/535	
D403,506	S	*	1/1999	Huang	.....	D9/544	X
D407,320	S	*	3/1999	Costen et al.	.....	D9/564	
D408,622	S	*	4/1999	Fletcher	.....	D3/202	

D444,071	S	*	6/2001	Mansau	.....	D9/566	
D459,233	S	*	6/2002	Young	.....	D9/535	
D489,271	S	*	5/2004	Soomar	.....	D9/561	
D533,459	S	*	12/2006	Wagner	.....	D9/535	

**FOREIGN PATENT DOCUMENTS**

GB	2090939	*	4/2000	
GB	2094169	*	8/2000	
GB	3009950	*	3/2003	
GB	3024837	*	6/2006	

\* cited by examiner

*Primary Examiner*—Carol Rademaker

(74) *Attorney, Agent, or Firm*—Keusey, Tutunjian & Bitetto,  
P.C.

(57) **CLAIM**

The ornamental design for a water bottle, as shown and described.

**DESCRIPTION**

FIG. 1 is a top, front and right side perspective view of the water bottle showing my new design;

FIG. 2 is a front elevational view thereof, the rear elevational view being identical and shown with environment in broken lines of an unclaimed closure;

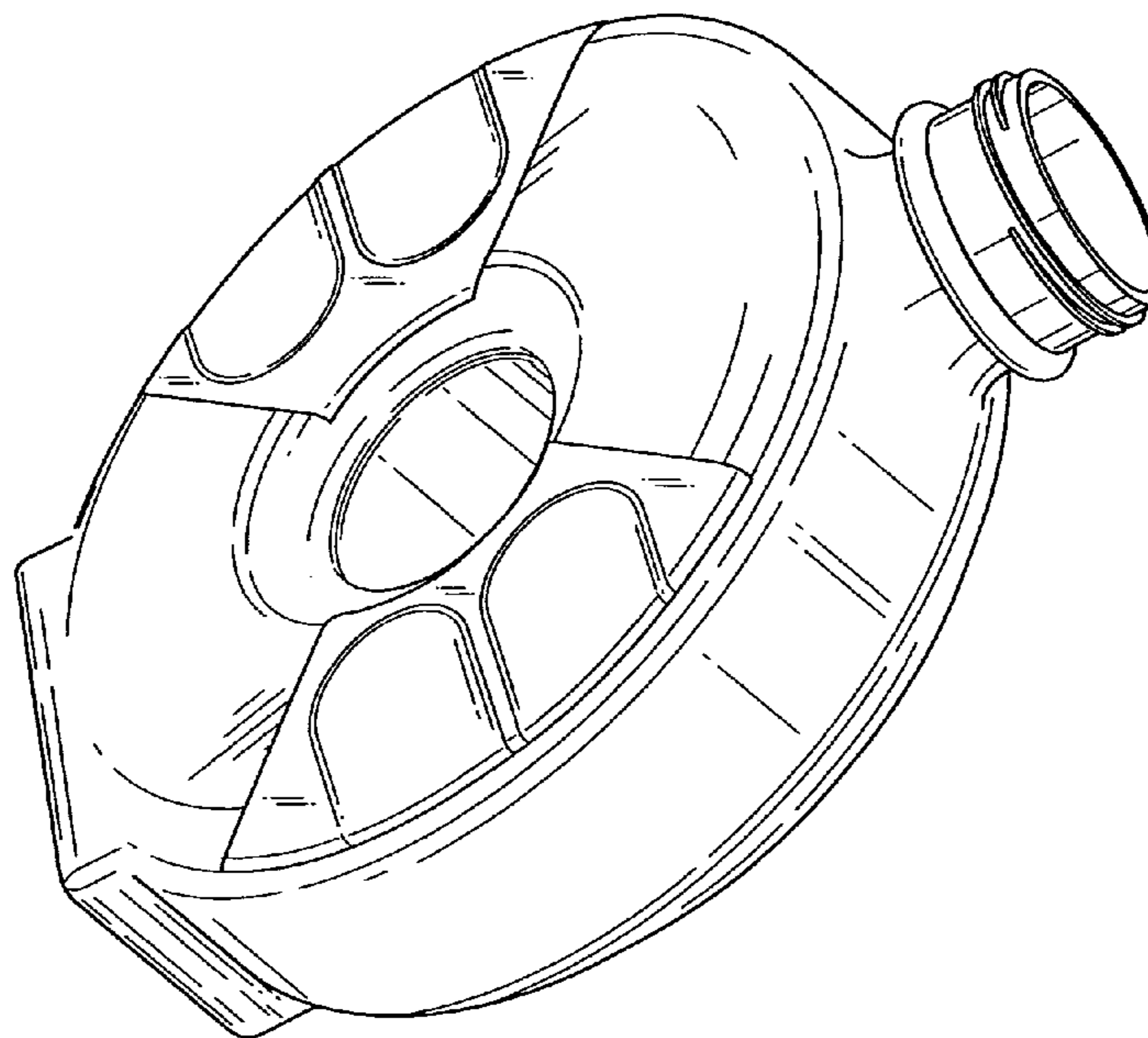
FIG. 3 is right side elevational view thereof, the left side elevational view being identical;

FIG. 4 is a top plan view thereof; and,

FIG. 5 is a bottom plan view thereof.

The broken line showing of a closure is included for the purpose of illustrating environment and forms no part of the claimed design.

**1 Claim, 2 Drawing Sheets**



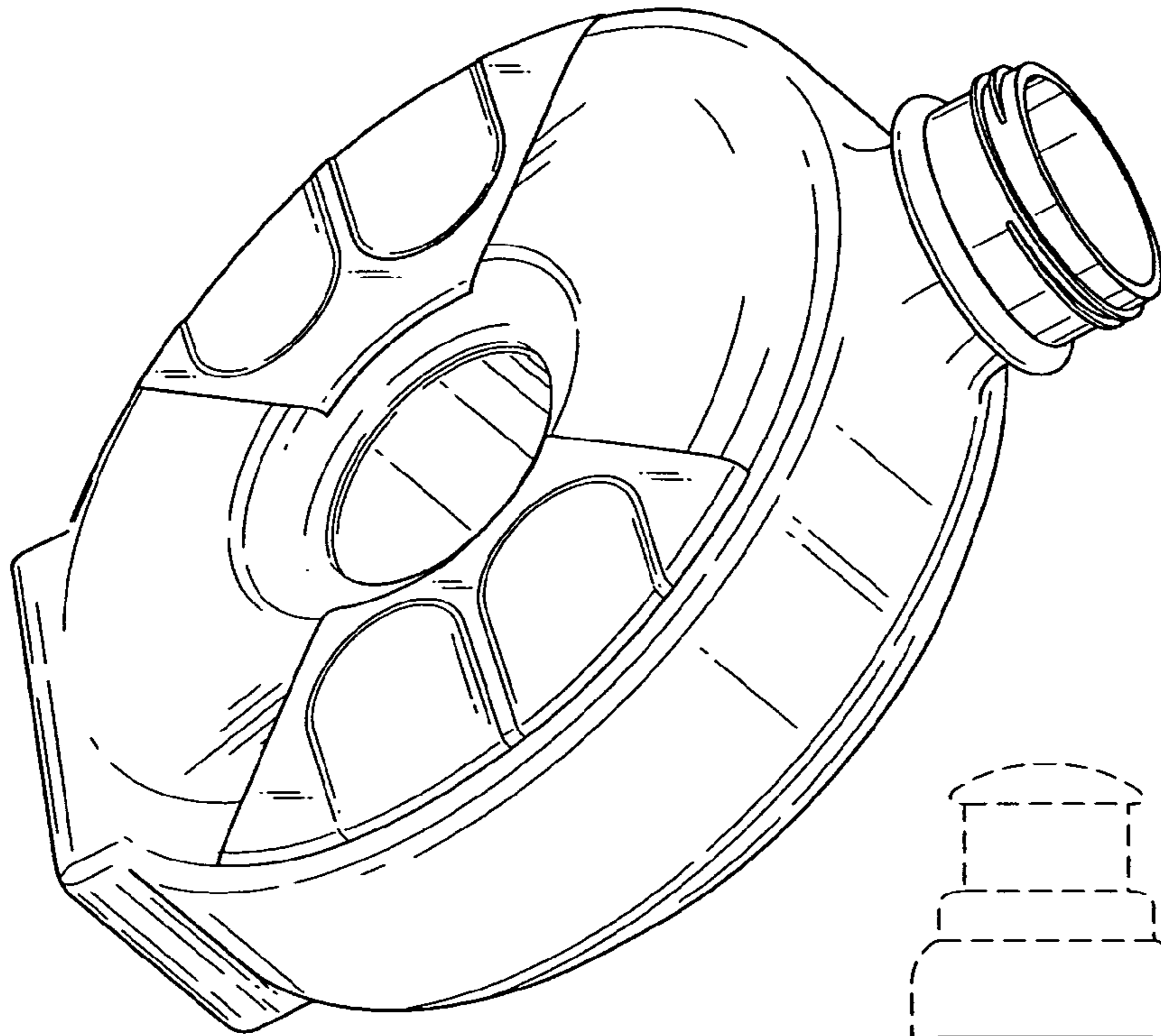


FIG. 1

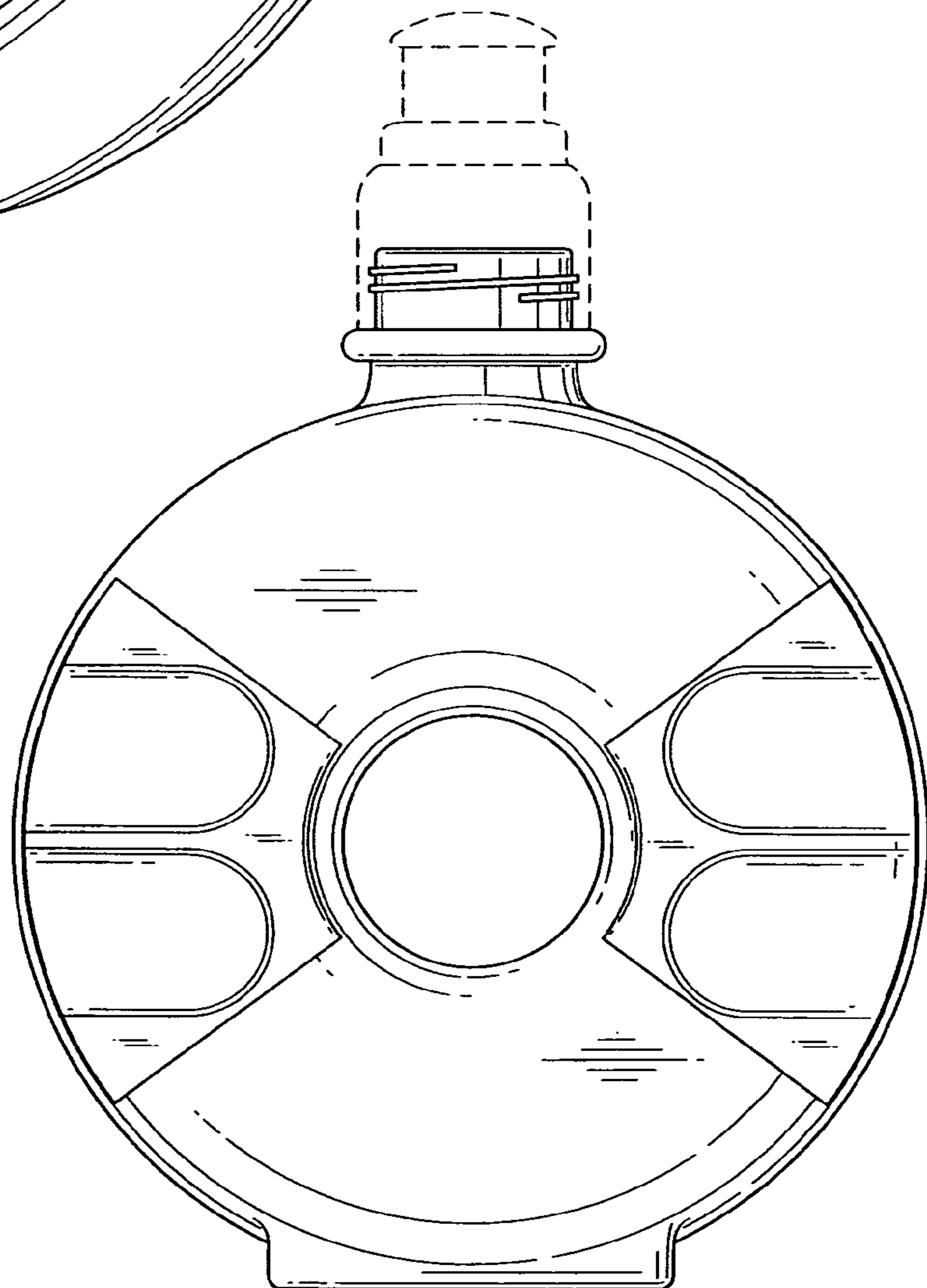


FIG. 2

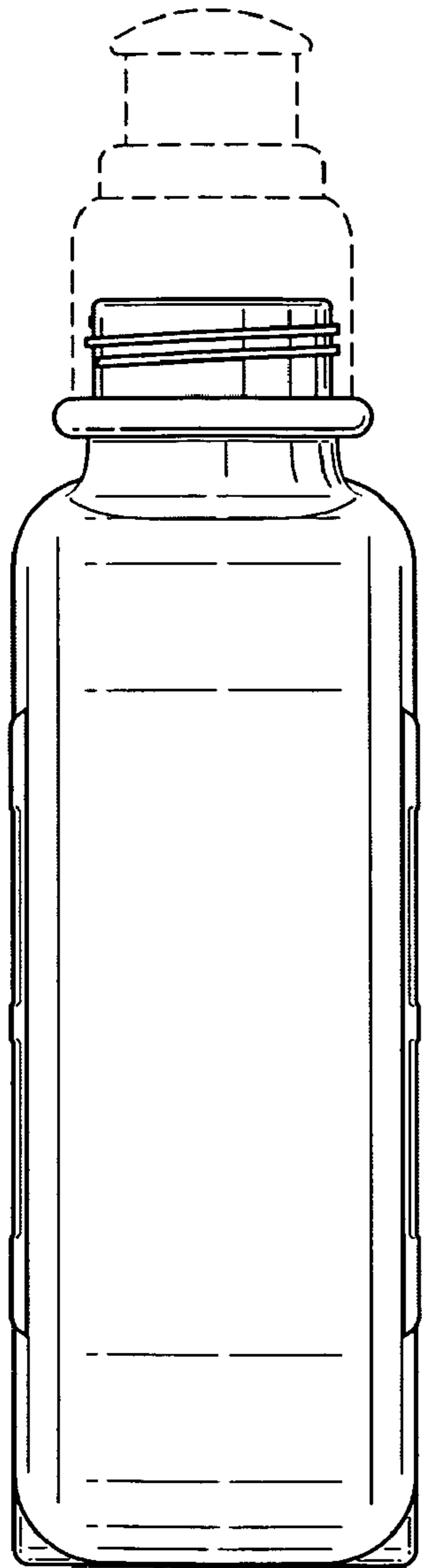


FIG. 3

FIG. 4

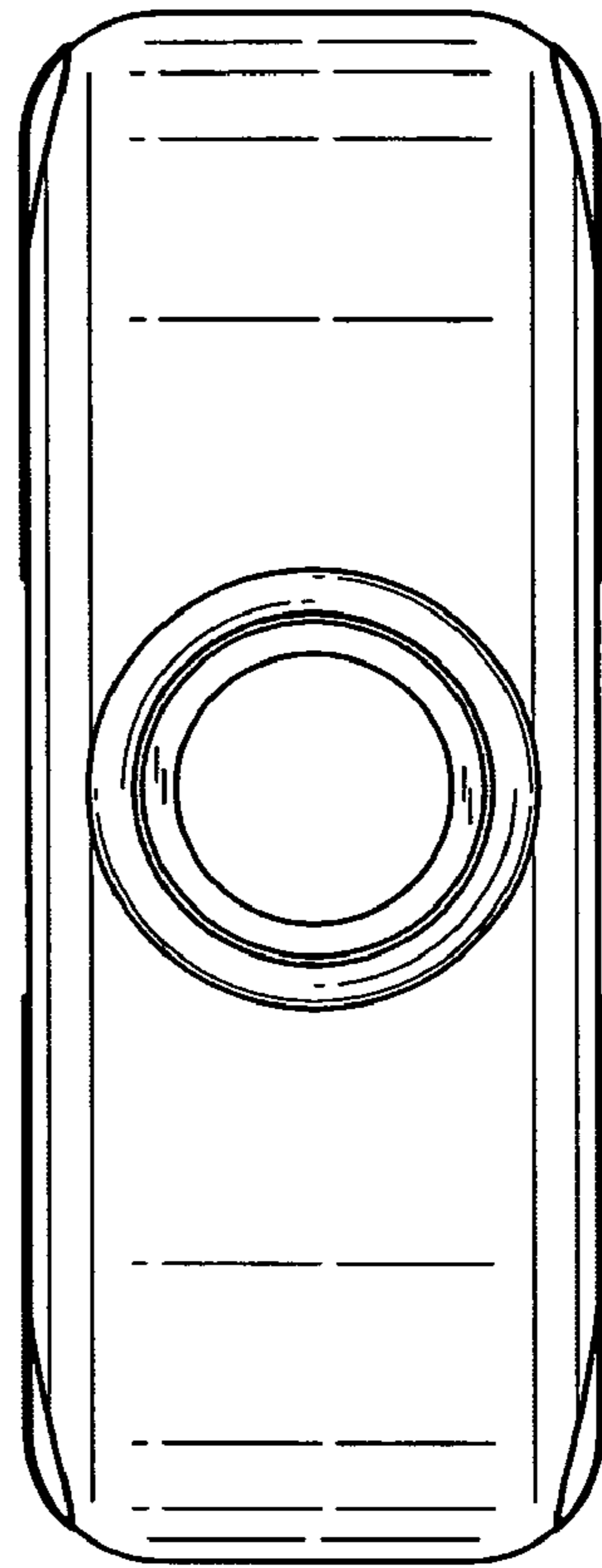


FIG. 5

