



US00D570698S

(12) **United States Design Patent**  
**Wagner**

(10) **Patent No.: US D570,698 S**

(45) **Date of Patent: \*\* Jun. 10, 2008**

(54) **WATER BOTTLE**

(76) Inventor: **Richard Norman Zach Wagner**, 303  
S. Camden Dr., Beverly Hills, CA (US)  
90212

(\*\*) Term: **14 Years**

(21) Appl. No.: **29/284,000**

(22) Filed: **Aug. 29, 2007**

(51) **LOC (8) Cl.** ..... **09-01**

(52) **U.S. Cl.** ..... **D9/535; D9/573; D9/574**

(58) **Field of Classification Search** ..... D9/682,  
D9/687, 694, 516, 530, 535, 542, 544, 551,  
D9/559-561, 564, 572-575; 215/382-385;  
220/661

See application file for complete search history.

(56) **References Cited**

**U.S. PATENT DOCUMENTS**

D49,235 S *	6/1916	Vivadou	.....	D9/535 X
D86,017 S *	1/1932	Fuerst	.....	D9/526
D86,724 S *	4/1932	Joseph	.....	D9/544 X
2,722,086 A *	11/1955	Mullen	.....	215/385 X
3,054,535 A *	9/1962	Clarey	.....	215/382 X
D247,151 S *	2/1978	McBride	.....	D7/591
D247,768 S *	4/1978	Sagona	.....	D9/572 X
D301,307 S *	5/1989	Pakzad	.....	D9/535
D348,839 S *	7/1994	Stoker	.....	D9/573 X
D380,683 S *	7/1997	Rothschild, III	.....	D9/535
D444,071 S *	6/2001	Mansau	.....	D9/575 X
D489,271 S *	5/2004	Soomar	.....	D9/561
D537,352 S *	2/2007	Spiegel	.....	D9/535
D547,663 S *	7/2007	Reyes	.....	D9/535

D551,983 S *	10/2007	Barbagli	.....	D9/535
D555,503 S *	11/2007	Buoy	.....	D9/573 X
2002/0050482 A1 *	5/2002	Kamdar et al.	.....	215/379

**FOREIGN PATENT DOCUMENTS**

GB	3009950	*	3/2003
GB	3024837	*	6/2006

\* cited by examiner

*Primary Examiner*—Carol Rademaker

(74) *Attorney, Agent, or Firm*—Keusey, Tutunjian & Bitetto, P.C.

(57) **CLAIM**

The ornamental design for a water bottle, as shown and described.

**DESCRIPTION**

FIG. 1 is a top, front and right side perspective view of the water bottle showing my new design;

FIG. 2 is a front elevational view thereof, the rear elevational view being identical and shown with environment in broken lines of an unclaimed closure;

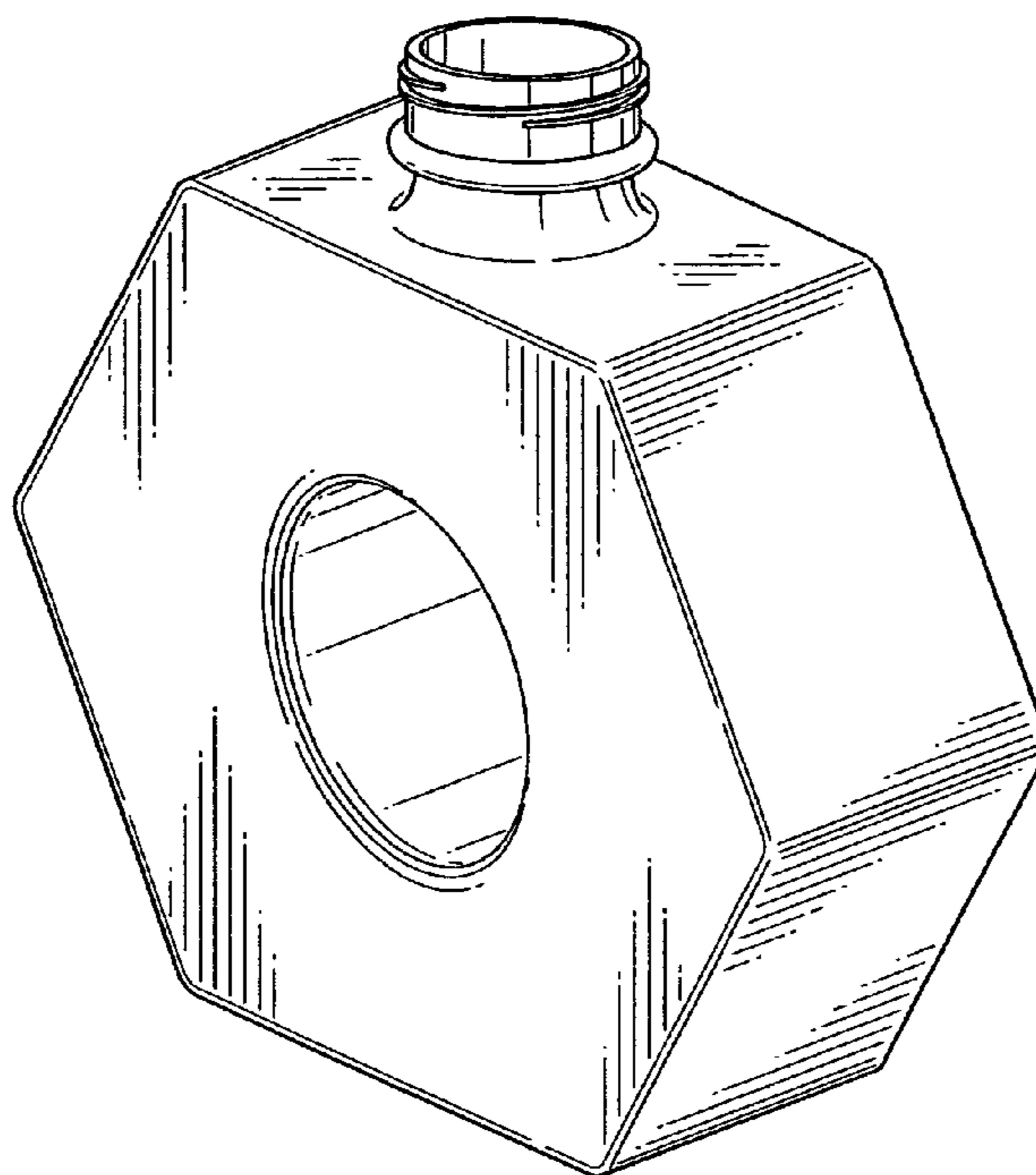
FIG. 3 is right side elevational view thereof, the left side elevational view being identical;

FIG. 4 is a top plan view thereof; and,

FIG. 5 is a bottom plan view thereof.

The broken line showing of a closure is included for the purpose of illustrating environment and forms no part of the claimed design.

**1 Claim, 2 Drawing Sheets**



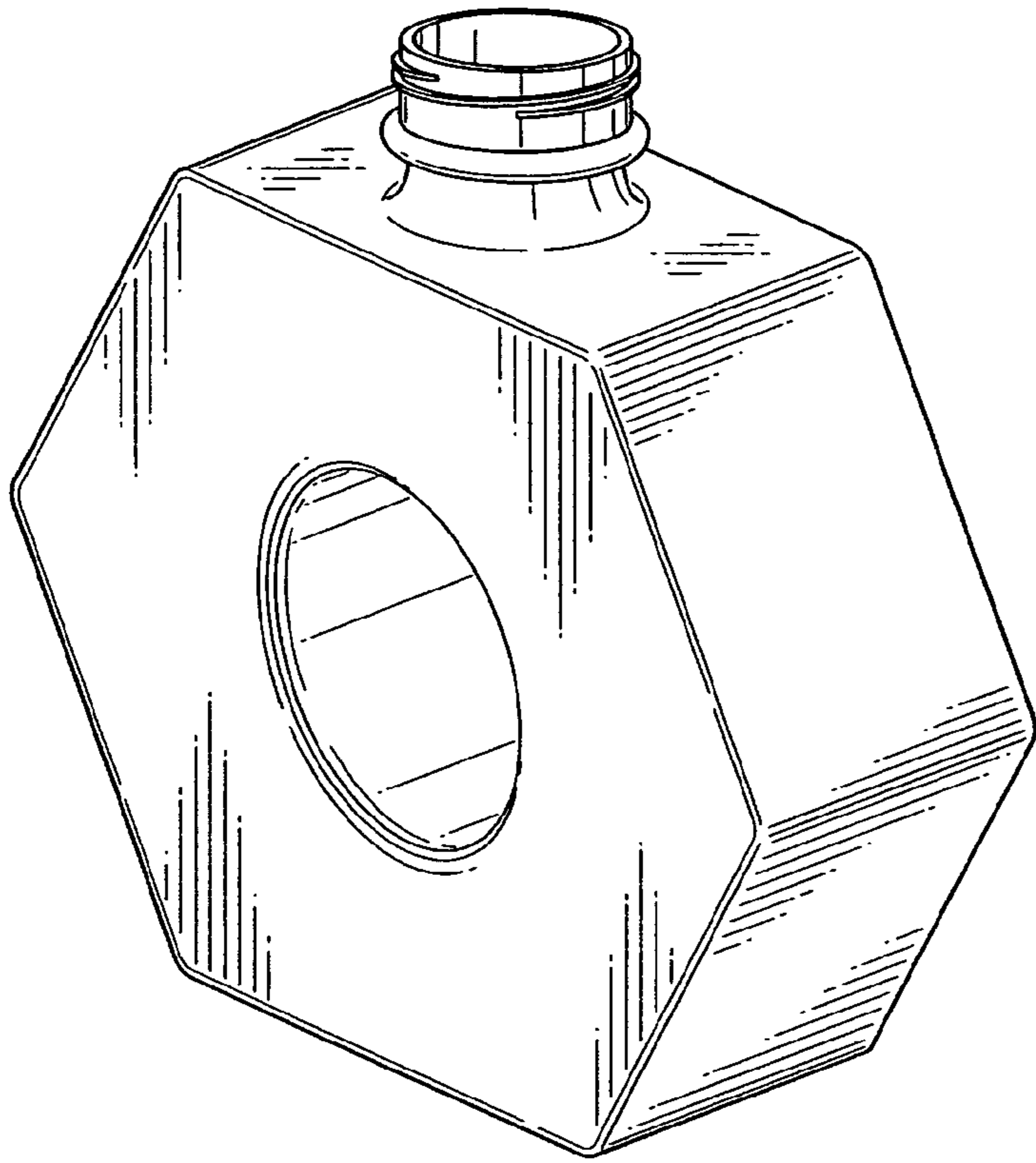


FIG. 1

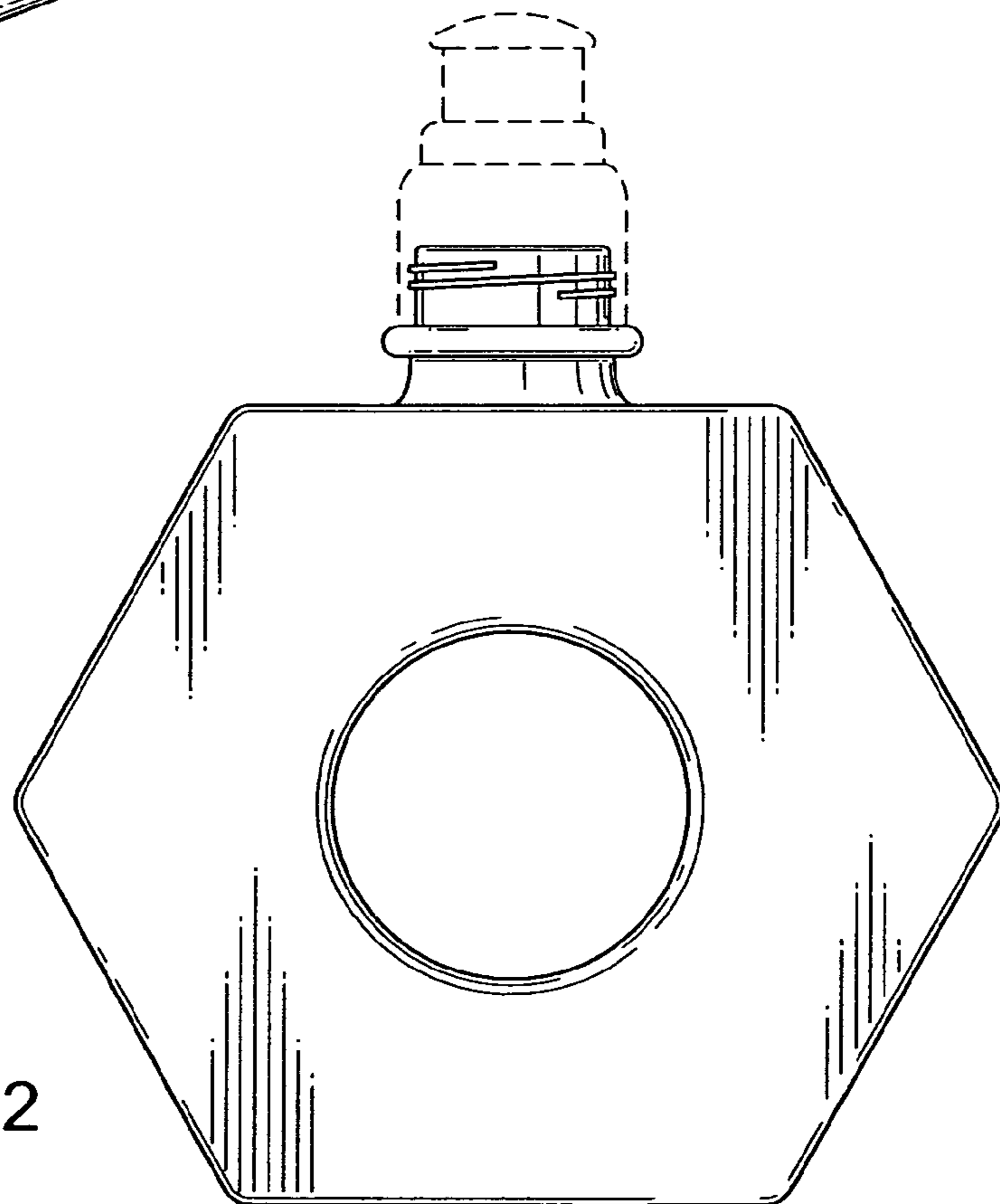


FIG. 2

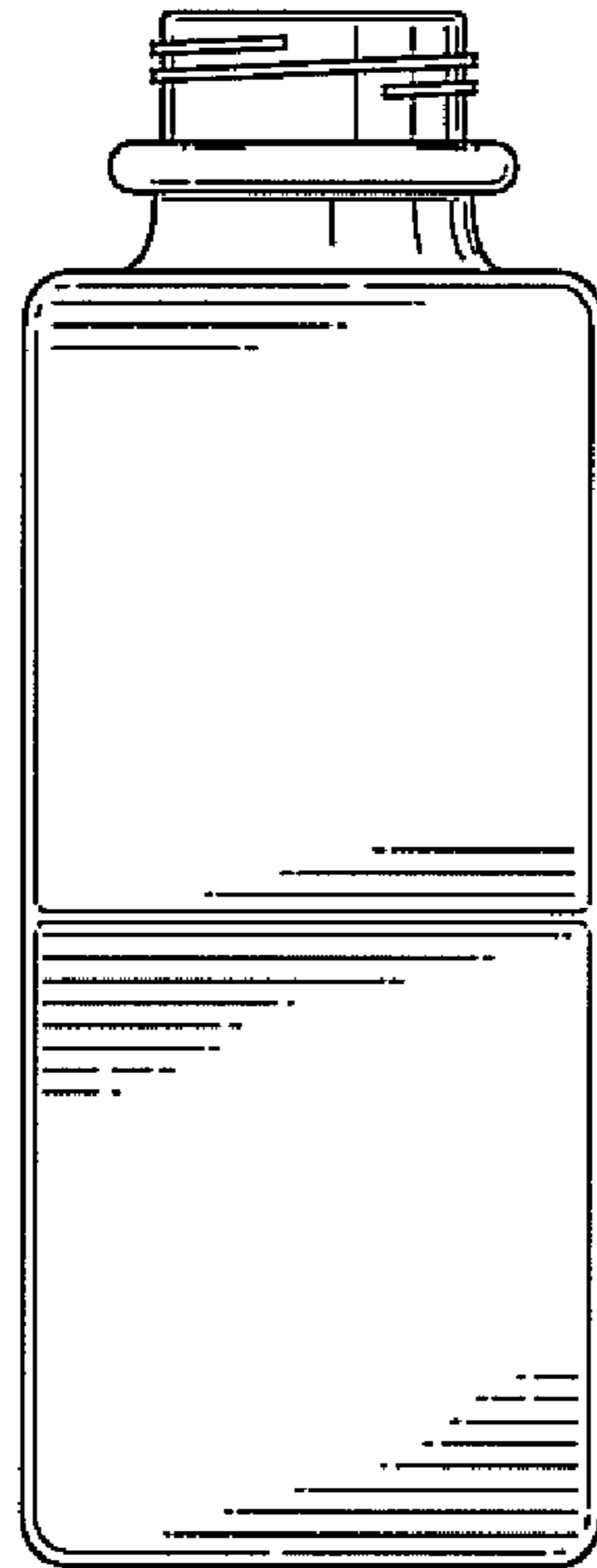


FIG. 3

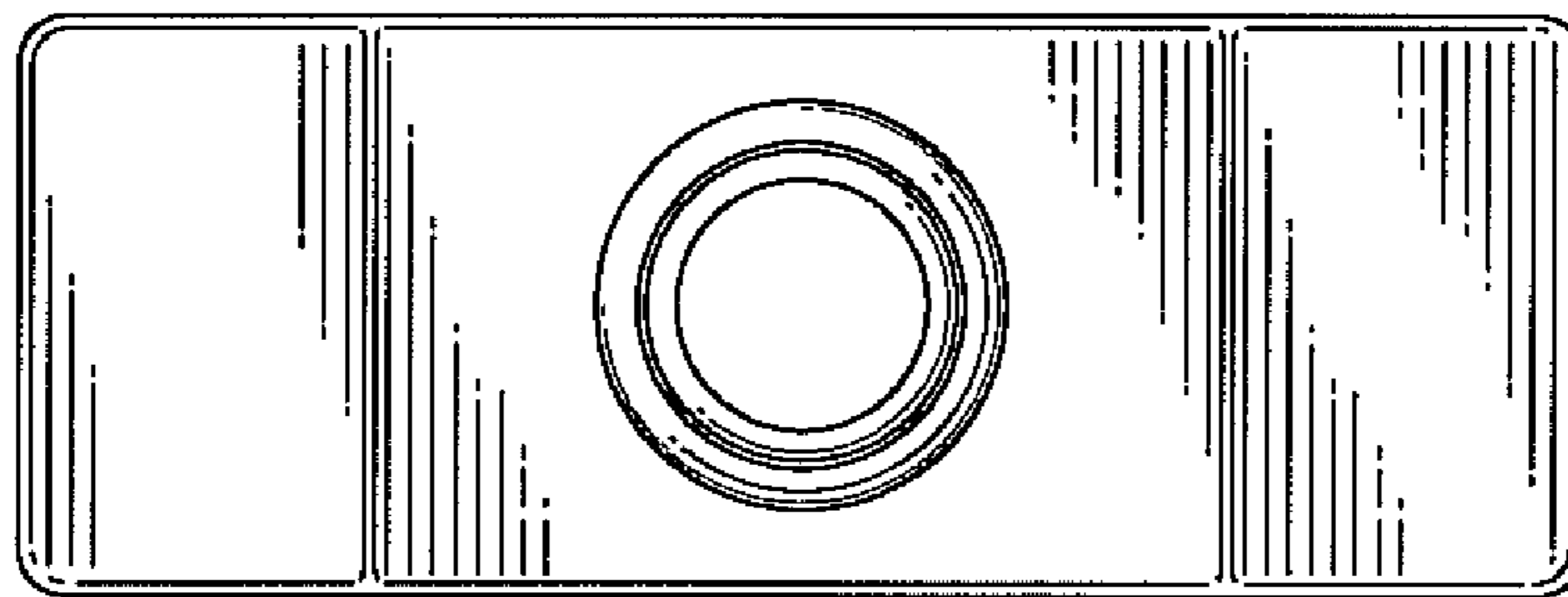


FIG. 4

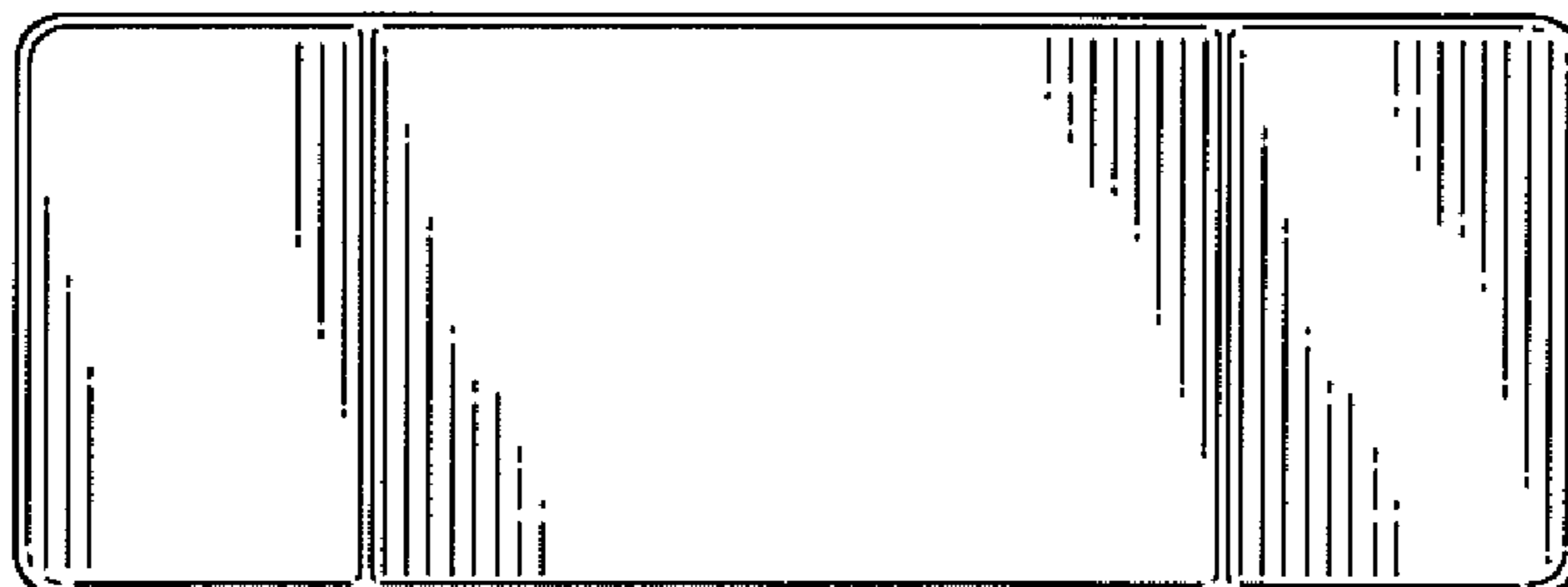


FIG. 5