

US00D570697S

(12) **United States Design Patent**  
**Wagner**

(10) **Patent No.:** **US D570,697 S**  
(45) **Date of Patent:** **\*\* Jun. 10, 2008**

(54) **WATER BOTTLE**

(76) Inventor: **Richard Norman Zach Wagner**, 303  
S. Camden Dr., Beverly Hills, CA (US)  
90212

(\*\*) Term: **14 Years**

(21) Appl. No.: **29/283,997**

(22) Filed: **Aug. 29, 2007**

(51) **LOC (8) Cl.** ..... **09-01**

(52) **U.S. Cl.** ..... **D9/535; D9/573; D9/574**

(58) **Field of Classification Search** ..... D9/682,  
D9/687, 694, 516, 530, 535, 542, 544, 551,  
D9/561, 564, 572-574; 215/382-385; 220/661  
See application file for complete search history.

(56) **References Cited**

**U.S. PATENT DOCUMENTS**

D44,881	S	*	11/1913	Alexander et al.	.....	D9/560
D47,650	S	*	7/1915	Roach	.....	D9/535
2,722,086	A	*	11/1955	Mullen	.....	215/385 X
D183,940	S	*	11/1958	Luxardo et al.	.....	D9/535
D199,699	S	*	12/1964	Dailey	.....	D9/535
D243,705	S	*	3/1977	Lyman	.....	D9/572 X
D247,151	S	*	2/1978	McBride	.....	D7/591
D247,769	S	*	4/1978	Sagona	.....	D9/535
D302,385	S	*	7/1989	Weiler	.....	D9/573 X
D348,839	S	*	7/1994	Stoker	.....	D9/573 X
D380,683	S	*	7/1997	Rothschild, III	.....	D9/535
D412,851	S	*	8/1999	Nosella	.....	D9/544 X
D413,796	S	*	9/1999	Mansau	.....	D9/631
D469,687	S	*	2/2003	Larian	.....	D9/415
D489,271	S	*	5/2004	Soomar	.....	D9/561
6,962,272	B2	*	11/2005	LeBlond	.....	222/180
D517,420	S	*	3/2006	Scheider	.....	D9/572 X

D537,352	S	*	2/2007	Spiegel	.....	D9/535
D547,663	S	*	7/2007	Reyes	.....	D9/535
2002/0050482	A1	*	5/2002	Kamdar et al.	.....	215/379

**FOREIGN PATENT DOCUMENTS**

GB	1048266	*	11/1988
GB	1050687	*	2/1989
GB	2003461	*	5/1990
GB	2032018	*	11/1993
GB	3009950	*	3/2003

\* cited by examiner

*Primary Examiner*—Carol Rademaker

(74) *Attorney, Agent, or Firm*—Keusey, Tutunjian & Bitetto, P.C.

(57) **CLAIM**

The ornamental design for a water bottle, as shown and described.

**DESCRIPTION**

FIG. 1 is a top, front and right side perspective view of the water bottle showing my new design;

FIG. 2 is a front elevational view thereof, the rear elevational view being identical and shown with environment in broken lines of an unclaimed closure;

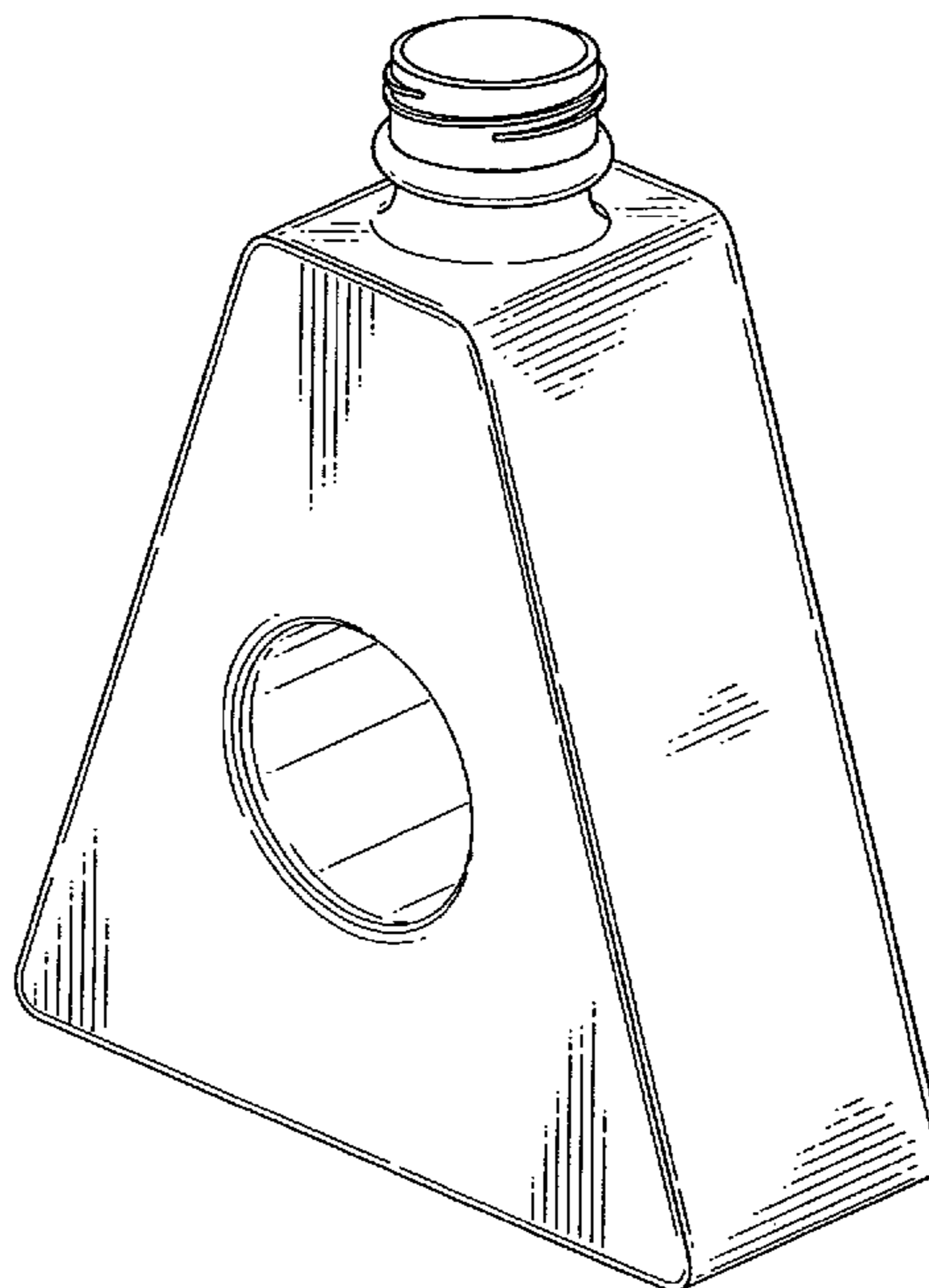
FIG. 3 is right side elevational view thereof, the left side elevational view being identical;

FIG. 4 is a top plan view thereof; and,

FIG. 5 is a bottom plan view thereof.

The broken line showing of a closure is included for the purpose of illustrating environment and forms no part of the claimed design.

**1 Claim, 2 Drawing Sheets**



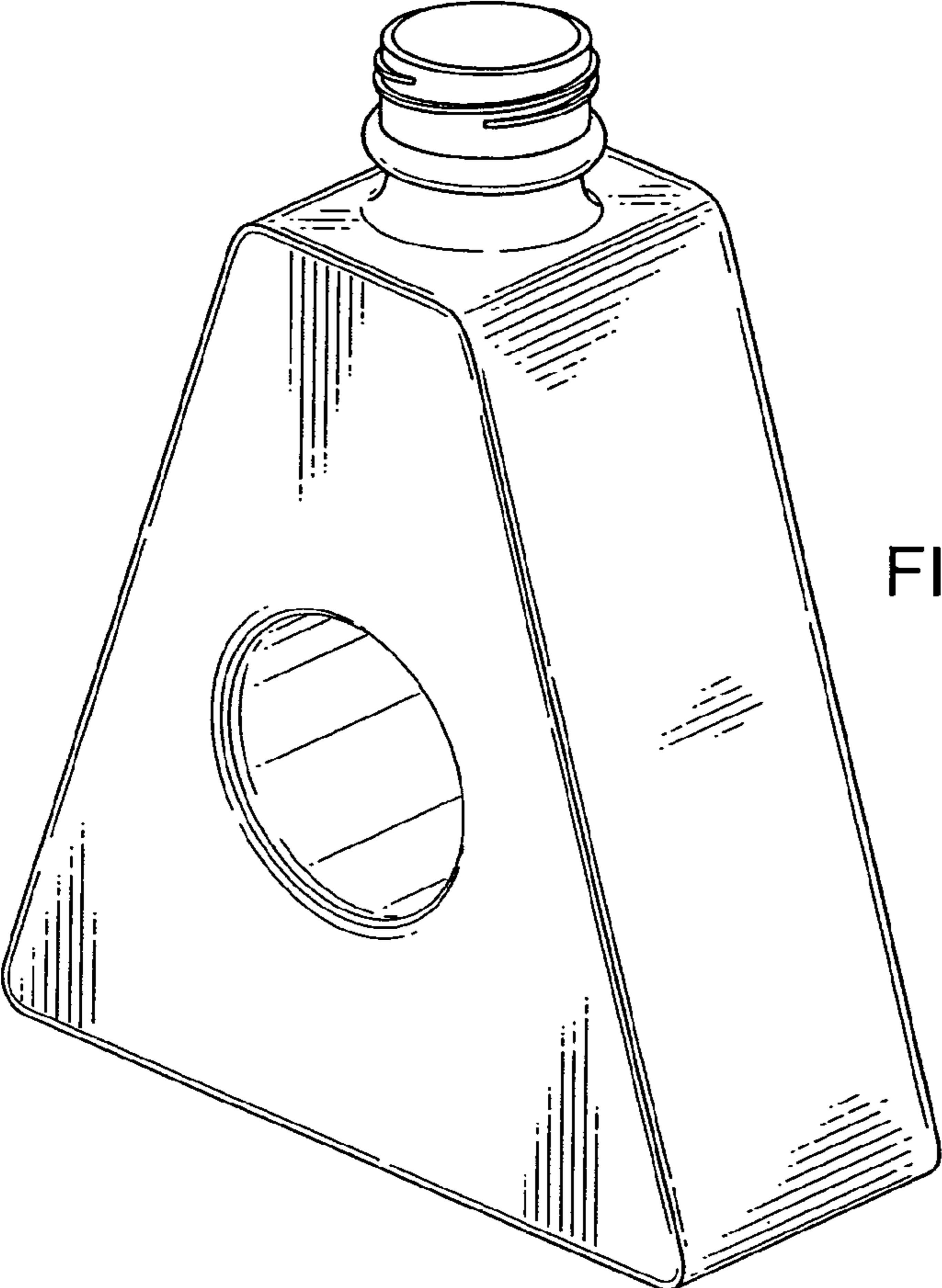


FIG. 1

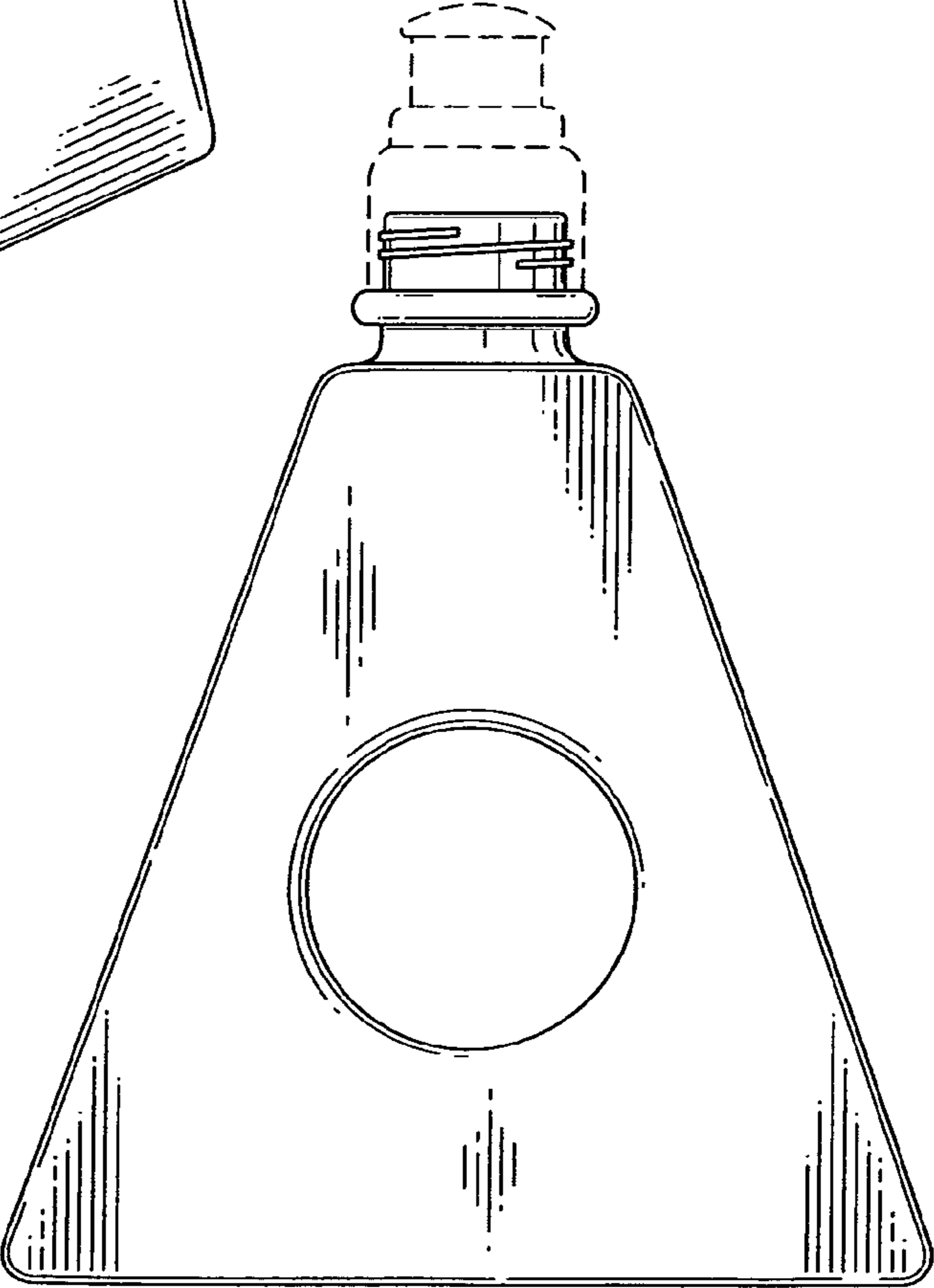


FIG. 2

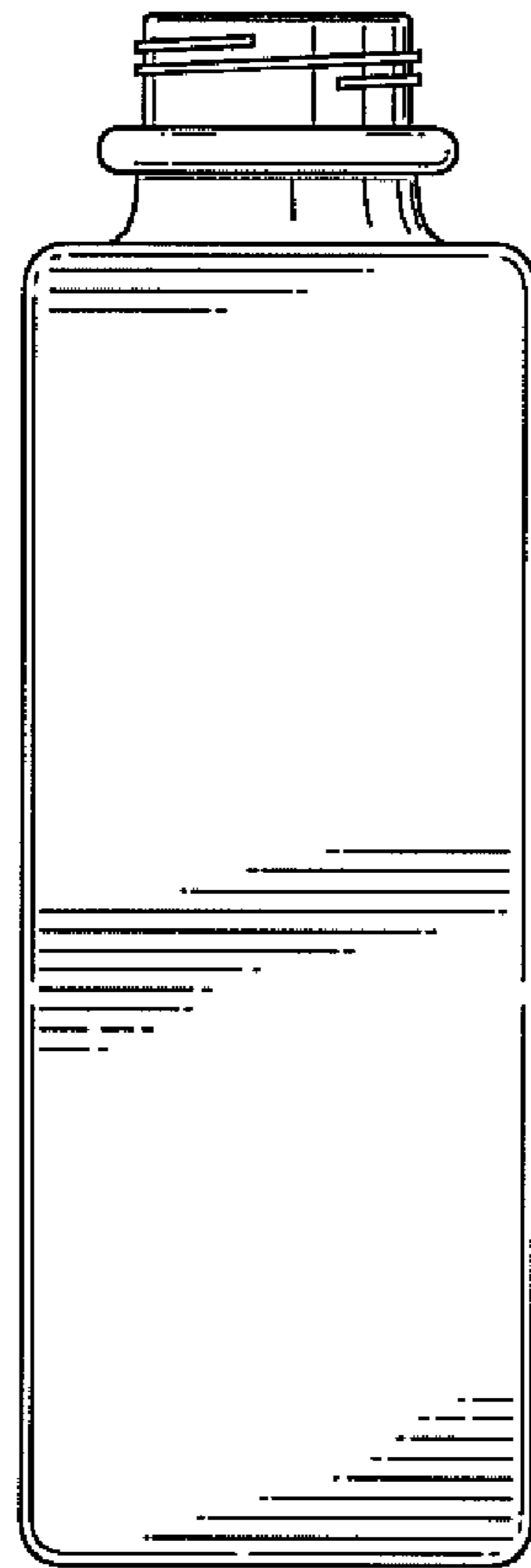


FIG. 3

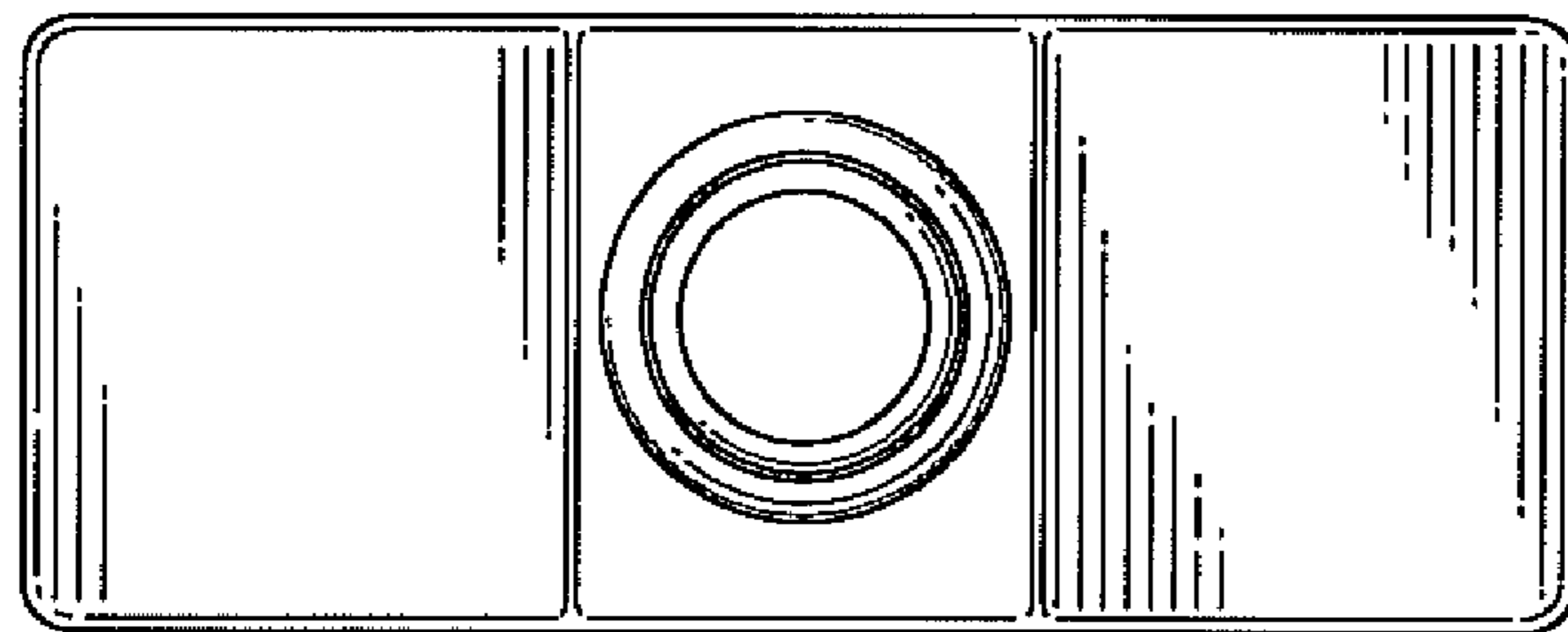


FIG. 4

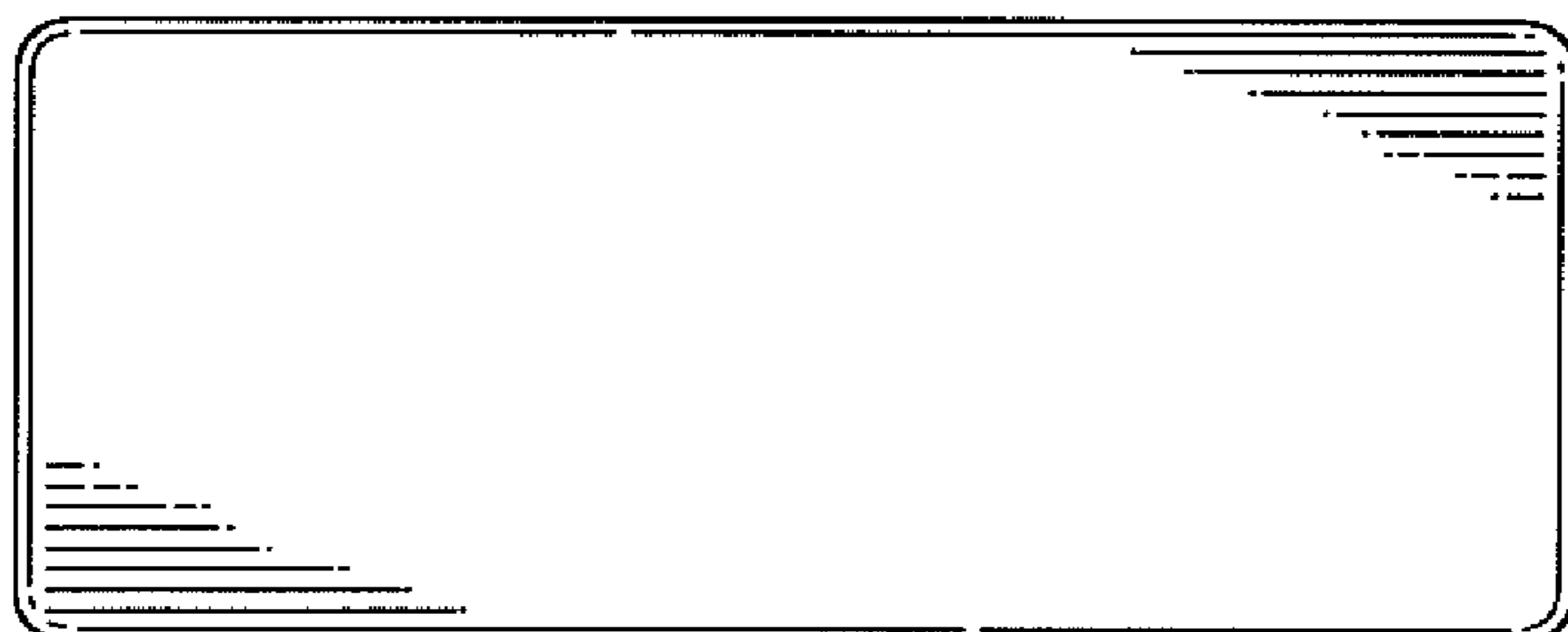


FIG. 5