



US00D570686S

(12) **United States Design Patent**
Hollis et al.

(10) **Patent No.:** **US D570,686 S**
(45) **Date of Patent:** **** Jun. 10, 2008**

(54) **DISPOSABLE CUP LID**

(75) Inventors: **Robert W. Hollis**, Homer Glen, IL (US); **Weston S. Koennecke**, Oak Park, IL (US); **John R. Geer, III**, Downers Grove, IL (US)

(73) Assignee: **Pactiv Corporation**, Lake Forest, IL (US)

(**) Term: **14 Years**

(21) Appl. No.: **29/250,410**

(22) Filed: **Nov. 13, 2006**

(51) **LOC (8) Cl.** **09-07**

(52) **U.S. Cl.** **D9/447; D9/449; D9/454**

(58) **Field of Classification Search** **D9/600, D9/454, 453, 452, 449, 447, 445, 438, 435; D7/392.1; 220/711-713, 268, 266, 254, 220/254.3-254.9, 254.1; 229/906.1**

See application file for complete search history.

(56) **References Cited**

U.S. PATENT DOCUMENTS

2,184,215 A 12/1939 Geyer

(Continued)

Primary Examiner—Gary D. Watson

Assistant Examiner—Susan Bennett Hattan

(74) *Attorney, Agent, or Firm*—Bell, Boyd & Lloyd LLP

(57) **CLAIM**

The ornamental design for a disposable cup lid as shown and described.

DESCRIPTION

FIG. 1 is a rear perspective view of a disposable cup lid of our new design, that portion of the cup lid shown in broken lines is not part of the claimed design and is provided for environmental purposes only.

FIG. 2 is a top plan view of the disposable cup lid of our new design illustrated in FIG. 1, that portion of the cup lid shown in broken lines is not part of the claimed design and is provided for environmental purposes only.

FIG. 3 is a bottom plan view of the disposable cup lid of our new design illustrated in FIG. 1, that portion of the cup lid

shown in broken lines is not part of the claimed design and is provided for environmental purposes only.

FIG. 4 is a rear side view of the disposable cup lid of our new design illustrated in FIG. 1, that portion of the cup lid shown in broken lines is not part of the claimed design and is provided for environmental purposes only.

FIG. 5 is a front side view of the disposable cup lid of our new design illustrated in FIG. 1, that portion of the cup lid shown in broken lines is not part of the claimed design and is provided for environmental purposes only.

FIG. 6 is a left side view of the disposable cup lid of our new design illustrated in FIG. 1, the right side being a mirror image thereof, that portion of the cup lid shown in broken lines is not part of the claimed design and is provided for environmental purposes only.

FIG. 7 is a rear perspective view of an alternative embodiment of the disposable cup lid of our new design, that portion of the cup lid shown in broken lines is not part of the claimed design and is provided for environmental purposes only.

FIG. 8 is a top plan view of the disposable cup lid of our new design illustrated in FIG. 7, that portion of the cup lid shown in broken lines is not part of the claimed design and is provided for environmental purposes only.

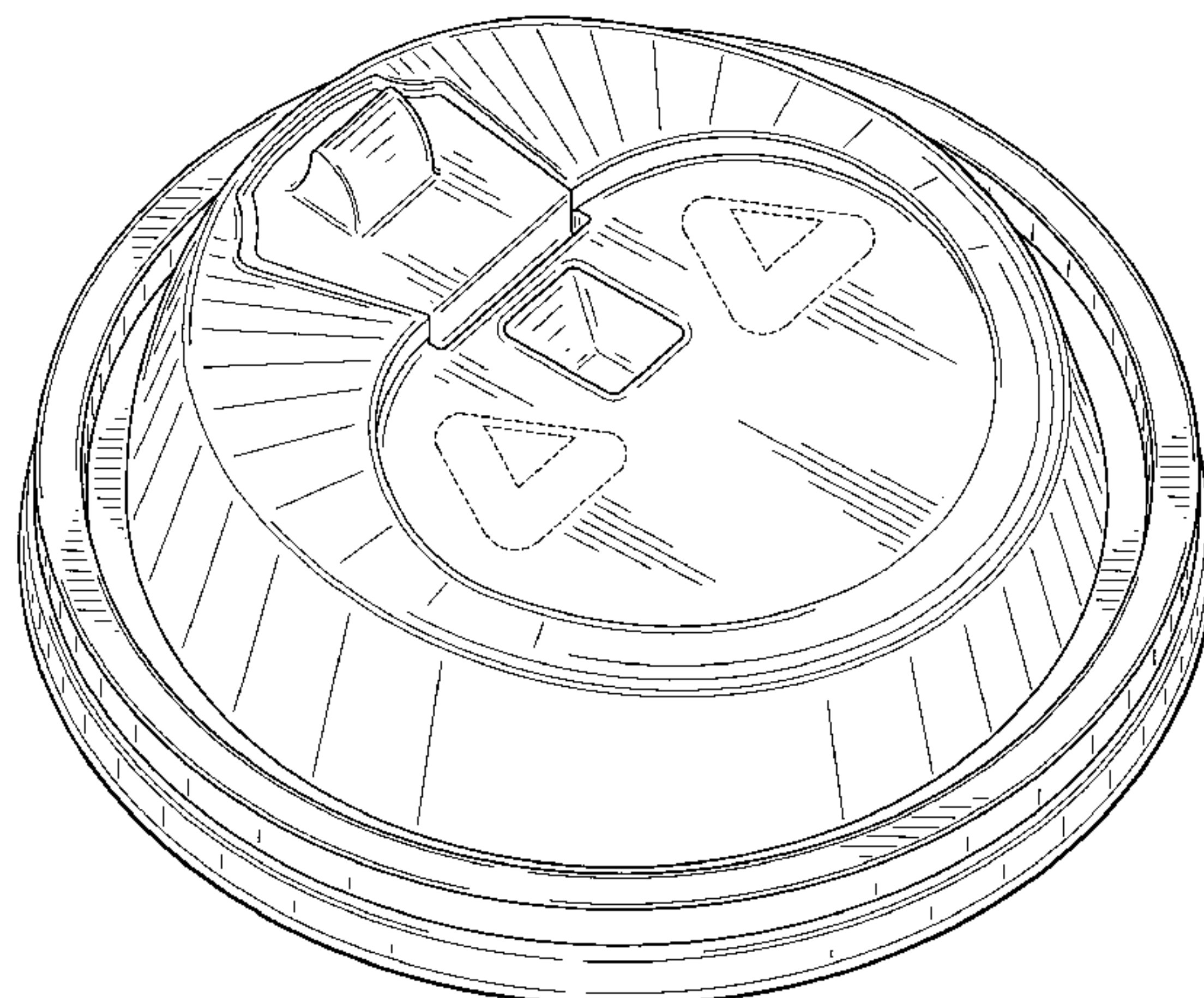
FIG. 9 is a bottom plan view of the disposable cup lid of our new design illustrated in FIG. 7, that portion of the cup lid shown in broken lines is not part of the claimed design and is provided for environmental purposes only.

FIG. 10 is a rear side view of the disposable cup lid of our new design illustrated in FIG. 7, that portion of the cup lid shown in broken lines is not part of the claimed design and is provided for environmental purposes only.

FIG. 11 is a front side view of the disposable cup lid of our new design illustrated in FIG. 7, that portion of the cup lid shown in broken lines is not part of the claimed design and is provided for environmental purposes only; and,

FIG. 12 is a left side view of the disposable cup lid of our new design illustrated in FIG. 7, the right side being a mirror image thereof, that portion of the cup lid shown in broken lines is not part of the claimed design and is provided for environmental purposes only.

1 Claim, 6 Drawing Sheets



US D570,686 S

Page 2

U.S. PATENT DOCUMENTS							
2,913,140	A	11/1959	Vullemenot	D353,769	S	12/1994	Miller
3,302,858	A	2/1967	Miller	D354,438	S	1/1995	Miller
3,596,792	A	8/1971	Wilcox	5,392,949	A	2/1995	McKenna
3,777,968	A	12/1973	Law	5,398,843	A	3/1995	Warden et al.
3,860,162	A	1/1975	Schutz	D360,133	S	7/1995	Boller
3,952,910	A	4/1976	Wheeler	5,490,609	A	2/1996	Lane et al.
RE28,797	E	5/1976	Brewer	5,503,289	A	4/1996	Fox
3,977,559	A	8/1976	Lombardi	5,509,568	A	4/1996	Warden et al.
3,977,562	A	8/1976	Wedzik	D372,866	S	8/1996	Ahern, Jr.
3,994,411	A	11/1976	Elfelt et al.	D374,590	S	10/1996	Ahern, Jr.
4,056,210	A	11/1977	Boyle	D374,794	S	10/1996	Ahern, Jr.
4,090,660	A	5/1978	Schram et al.	5,613,619	A	3/1997	Van Melle
4,106,660	A	8/1978	Boyle	5,624,053	A	4/1997	Freek et al.
4,113,135	A	9/1978	Yamazki	5,699,927	A	12/1997	Lane et al.
4,138,033	A	2/1979	Payne et al.	5,706,972	A	1/1998	Sousa
4,164,303	A	8/1979	Waterburg	D390,465	S	2/1998	Frye
4,184,604	A	1/1980	Amberg et al.	5,722,558	A	3/1998	Thompson
4,186,842	A	2/1980	Albert	D394,184	S	5/1998	Damore
4,187,954	A	2/1980	Striggow	5,798,079	A	8/1998	Freek et al.
4,190,174	A	2/1980	Haimowitz	5,820,016	A	10/1998	Stropkay
4,202,459	A	5/1980	DeParales et al.	5,839,601	A	11/1998	Van Melle
4,210,272	A	7/1980	Sequin	D402,556	S	12/1998	Frye
4,243,156	A	1/1981	Lobbestael	D405,011	S	2/1999	DeCoster et al.
D259,403	S	6/1981	Frazier, Jr.	5,894,950	A	4/1999	Kick
4,285,442	A	8/1981	Wedzik	5,894,952	A	4/1999	Mendenhall et al.
4,319,691	A	3/1982	Hament	5,911,331	A	6/1999	Boller
4,319,692	A	3/1982	Gundlach	5,947,323	A	9/1999	Freek et al.
4,322,015	A	3/1982	Bailey	D416,170	S	11/1999	Stucke, Jr. et al.
4,345,695	A	8/1982	Galloway et al.	5,979,647	A	11/1999	Han
D267,633	S	1/1983	Christian	D417,845	S	12/1999	Sadlier et al.
4,377,244	A	3/1983	Rossetti	5,996,837	A	12/1999	Freek et al.
4,412,629	A	11/1983	Dart et al.	D418,363	S	1/2000	Barnes et al.
D271,857	S	12/1983	Callahan	6,076,450	A	6/2000	DiGiorgio, Jr.
4,421,244	A	12/1983	Van Melle	6,079,588	A	6/2000	Khafizov
4,438,865	A	3/1984	Scattaregia	6,089,397	A	7/2000	Van Melle
4,441,624	A	4/1984	Sokolowski	6,176,390	B1	1/2001	Kemp
D274,502	S	7/1984	Little	6,209,748	B1	4/2001	Dunbar
4,460,103	A	7/1984	Rama et al.	6,220,470	B1	4/2001	McHenry et al.
RE31,650	E	8/1984	Serritella	6,260,727	B1	7/2001	Durdon
D274,983	S	8/1984	Dart et al.	D447,412	S	9/2001	Durdon
4,473,167	A	9/1984	Bailey	6,398,083	B2	6/2002	Nybakke
4,489,848	A	12/1984	Braude	D461,361	S	8/2002	Orr et al.
4,502,608	A	3/1985	Mills	6,505,753	B1	1/2003	Freek et al.
4,518,096	A	5/1985	Winstead	D470,009	S	2/2003	Turchi et al.
4,566,605	A	1/1986	Rogers	6,533,139	B2	3/2003	Lukacevic
4,582,214	A	4/1986	Dart et al.	6,571,973	B1	6/2003	Tripsianes
4,589,569	A	5/1986	Clements	D476,566	S	7/2003	Smith et al.
D285,416	S	9/1986	Dart et al.	D476,567	S	7/2003	Weiss et al.
4,615,459	A	10/1986	Clements	D476,891	S	7/2003	Clarke et al.
4,627,537	A	12/1986	Rogers	D477,223	S	7/2003	Smith et al.
4,629,088	A	12/1986	Durgin	D478,006	S	8/2003	Smith et al.
D287,919	S	1/1987	Clements	D479,802	S	9/2003	Arduini
4,738,373	A	4/1988	DeParales	6,612,456	B1	9/2003	Hundley et al.
4,741,450	A	5/1988	Braude	D480,968	S	10/2003	Atkins et al.
4,753,365	A	6/1988	Seppala	D481,633	S	11/2003	Schmidtner et al.
4,756,440	A	7/1988	Gartner	6,644,490	B2	11/2003	Clarke
4,760,934	A	8/1988	Netsch	D485,758	S	1/2004	Clarke et al.
4,934,558	A	6/1990	Vargas	D485,759	S	1/2004	Janky et al.
4,938,379	A	7/1990	Kellner	6,679,397	B2	1/2004	Smith et al.
4,949,865	A	8/1990	Turner	D487,399	S	3/2004	Schmidtner et al.
4,953,743	A	9/1990	Dart et al.	6,702,145	B2	3/2004	Malcolm
5,050,759	A	9/1991	Marble	D489,260	S	5/2004	Smith et al.
D323,116	S	1/1992	Dart et al.	6,732,875	B2	5/2004	Smith et al.
5,090,584	A	2/1992	Roberts et al.	D493,718	S	8/2004	Durdon
5,111,961	A	5/1992	Van Melle	6,811,049	B2	11/2004	Lukacevic
5,165,579	A	11/1992	Lund	6,824,003	B1	11/2004	Wong
5,183,172	A	2/1993	Boller	6,874,649	B2	4/2005	Clarke et al.
5,197,624	A	3/1993	Dodaro	6,886,707	B2	5/2005	Giraud
5,253,781	A	10/1993	Van Melle et al.	6,889,859	B1	5/2005	Leon
5,335,812	A	8/1994	Boller	6,889,860	B2	5/2005	Mazzarolo
5,348,181	A	9/1994	Smith et al.	6,905,044	B1	6/2005	Russo et al.
				6,929,143	B2	8/2005	Mazzarolo
				6,932,231	B2	8/2005	Haynes et al.

US D570,686 S

6,948,633 B2	9/2005	Freek et al.	2003/0197012 A1	10/2003	Smith et al.
D514,444 S	2/2006	Smith et al.	2003/0218017 A1	11/2003	Schmidtner et al.
D514,445 S	2/2006	Smith et al.	2004/0035868 A1	2/2004	Smith et al.
D516,424 S	3/2006	Schweigert et al.	2004/0089662 A1	5/2004	Smith et al.
D522,860 S	6/2006	LaFortune	2004/0118847 A1	6/2004	Giraud
D530,602 S	10/2006	Boller et al.	2004/0195239 A1	10/2004	Rush et al.
D531,033 S	10/2006	Schmidtner et al.	2005/0092748 A1	5/2005	Durdon
D533,777 S *	12/2006	Hundley et al. D9/447	2005/0092749 A1	5/2005	Durdon
D533,778 S	12/2006	Hollis et al.	2005/0127075 A1	6/2005	Smith et al.
D539,646 S	4/2007	Hollis et al.	2005/0155973 A1	7/2005	Goeking et al.
D540,165 S	4/2007	Hollis et al.	2005/0173434 A1	8/2005	O'Neal
D540,166 S	4/2007	Hollis et al.	2005/0173443 A1	8/2005	Crudgington et al.
D540,672 S	4/2007	Hollis et al.	2005/0205588 A1	9/2005	Pitts
D540,673 S	4/2007	Hollis et al.	2005/0224505 A1	10/2005	Brown et al.
D540,674 S	4/2007	Hollis et al.	2005/0230406 A1	10/2005	Maravich et al.
D540,675 S	4/2007	Hollis et al.	2006/0027588 A1	2/2006	Mackovic-Basic et al.
D541,153 S	4/2007	Hollis et al.	2006/0060590 A1	3/2006	Goeking
D541,650 S	5/2007	Hollis et al.	2006/0071008 A1	4/2006	Sadlier
D541,651 S	5/2007	Hollis et al.	2006/0081633 A1	4/2006	Schmidtner et al.
2002/0027139 A1	3/2002	O'Neill	2006/0096983 A1	5/2006	Patterson
2002/0038803 A1	4/2002	Malcolm	2006/0180028 A1	8/2006	Burchard
2003/0024929 A1	2/2003	Smith et al.	2006/0180593 A1	8/2006	White
2003/0024930 A1	2/2003	Smith et al.	2006/0226147 A1	10/2006	Phillips
2003/0052127 A1	3/2003	Mazzarolo	2006/0226148 A1	10/2006	Hundley et al.
2003/0089714 A1	5/2003	Dart et al.	2006/0255037 A1	11/2006	Hollis et al.
2003/0089726 A1	5/2003	Mazzarolo	2006/0255038 A1	11/2006	Hollis et al.
2003/0102312 A1	6/2003	Horner	2006/0255043 A1	11/2006	Tedford
2003/0116568 A1	6/2003	Clarke et al.			
2003/0178426 A1	9/2003	Freek et al.			
2003/0192890 A1	10/2003	Mazzarolo			

* cited by examiner

FIG. 1

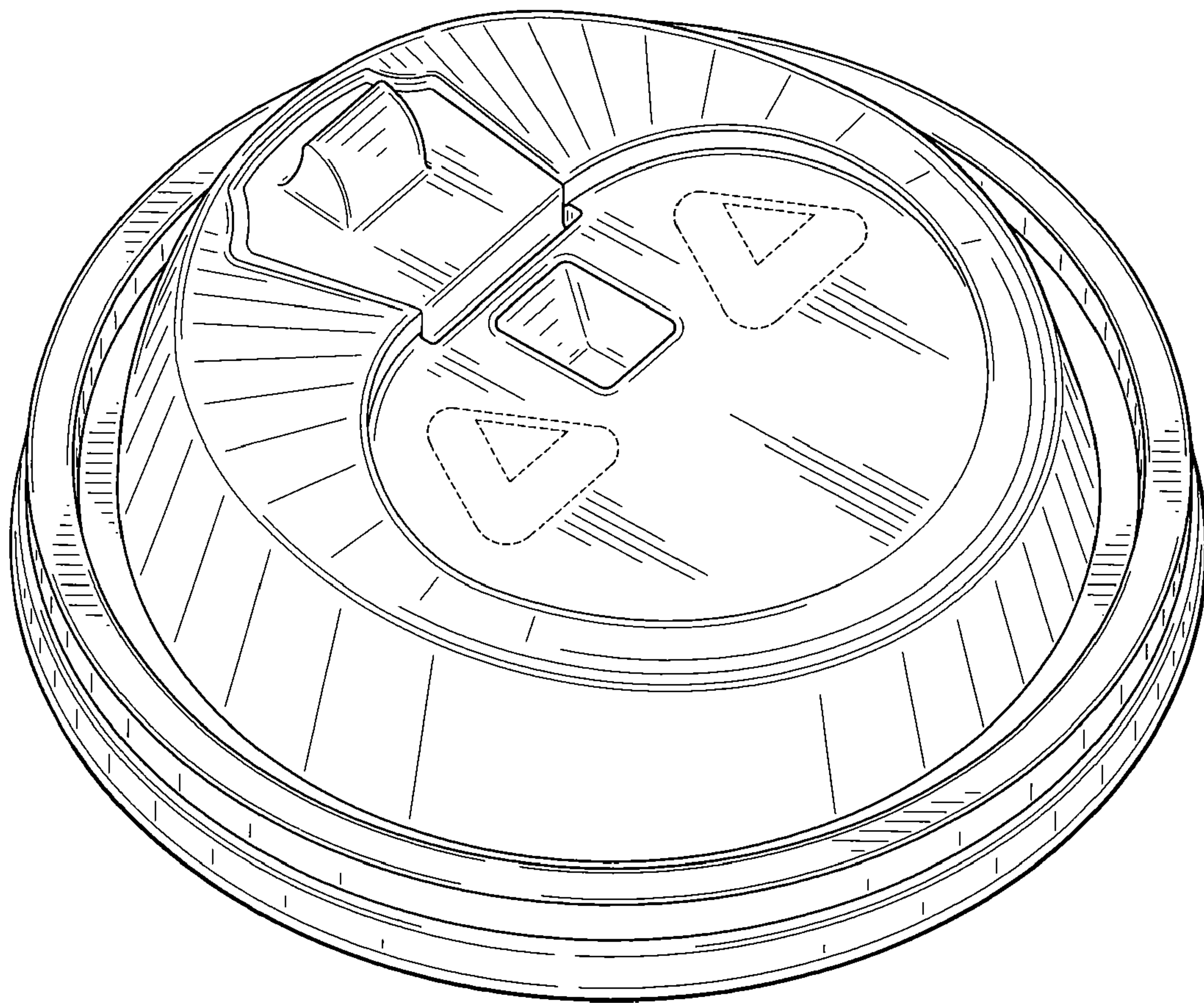


FIG.2

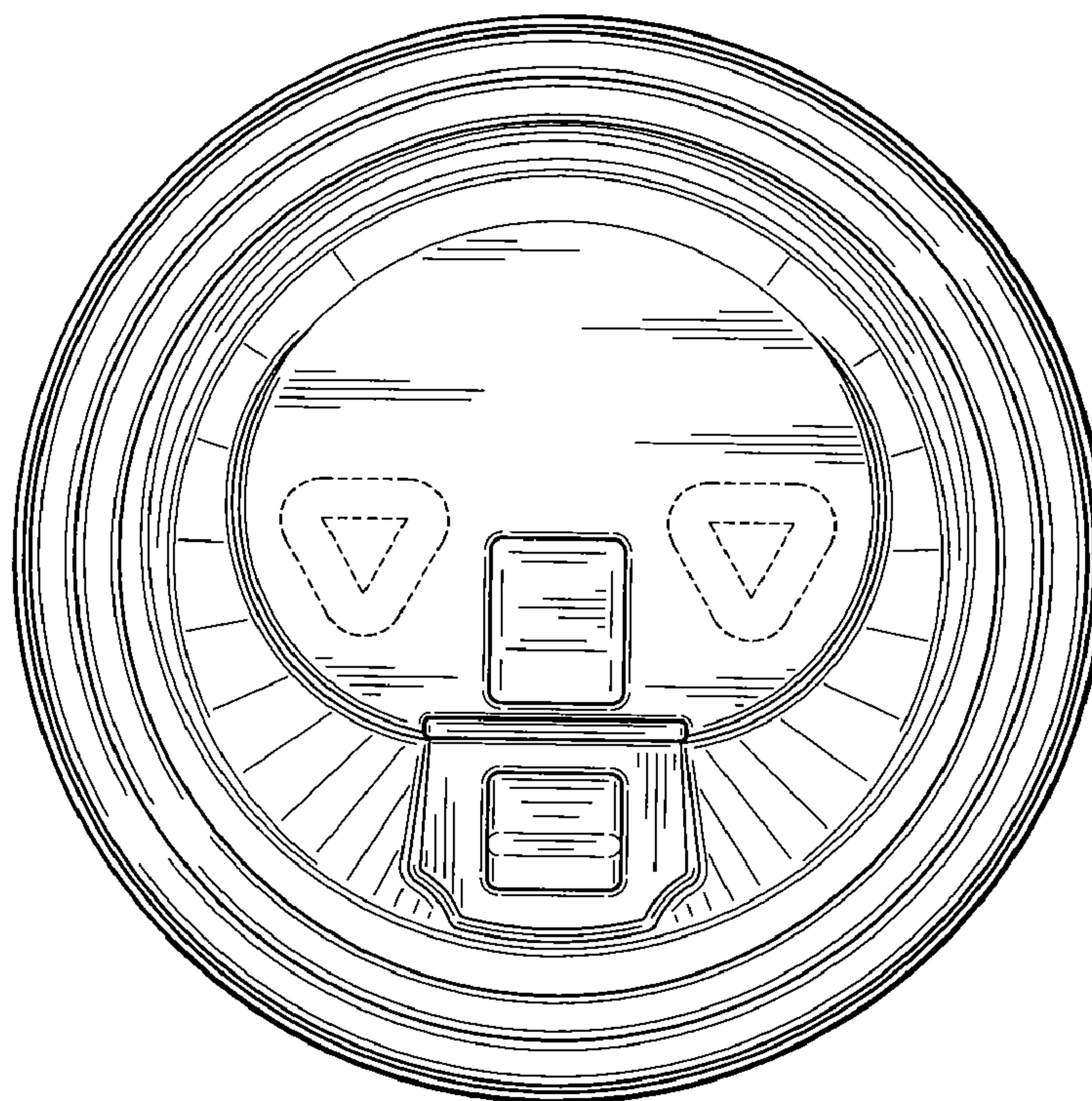


FIG.3

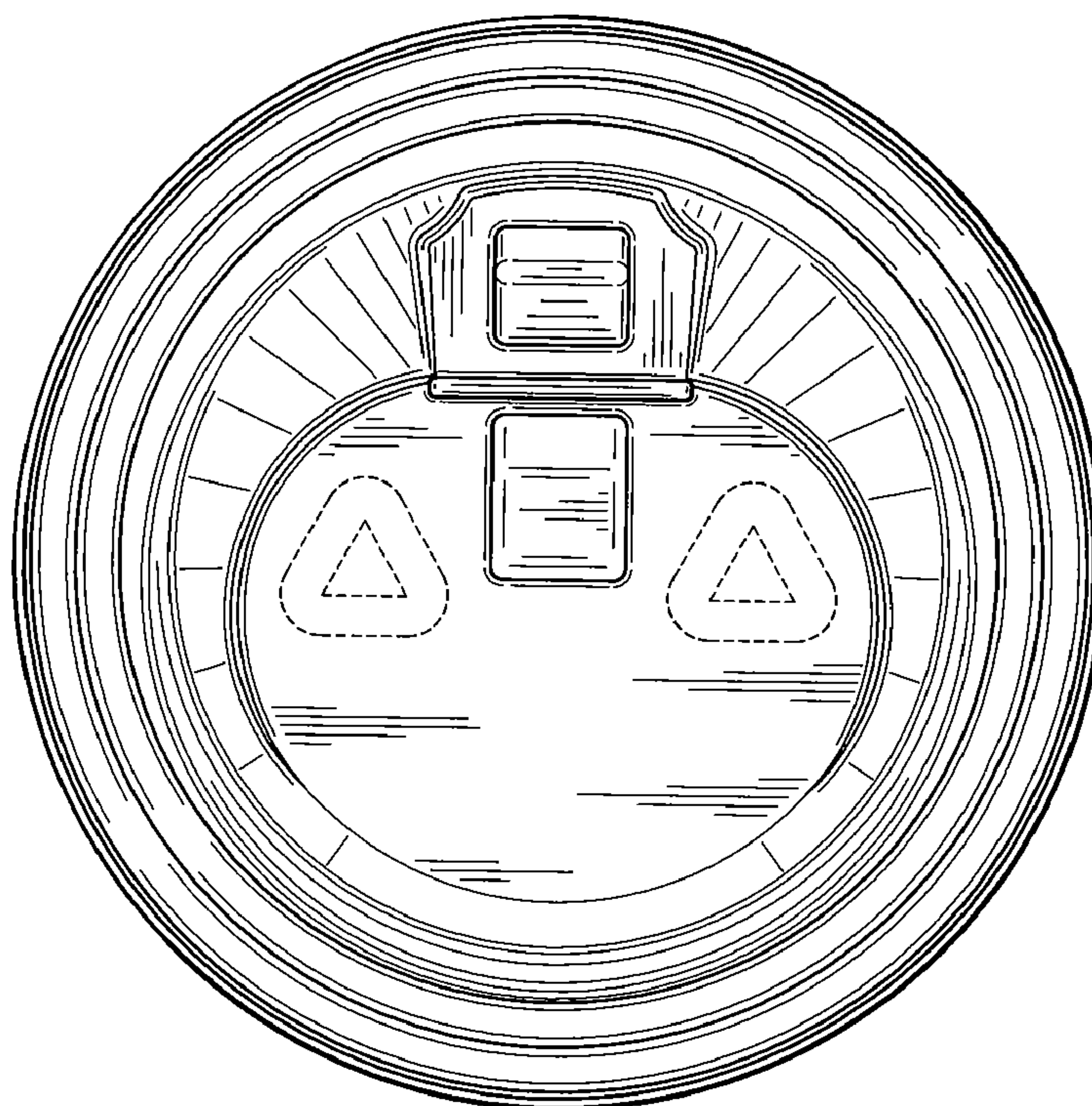


FIG.4

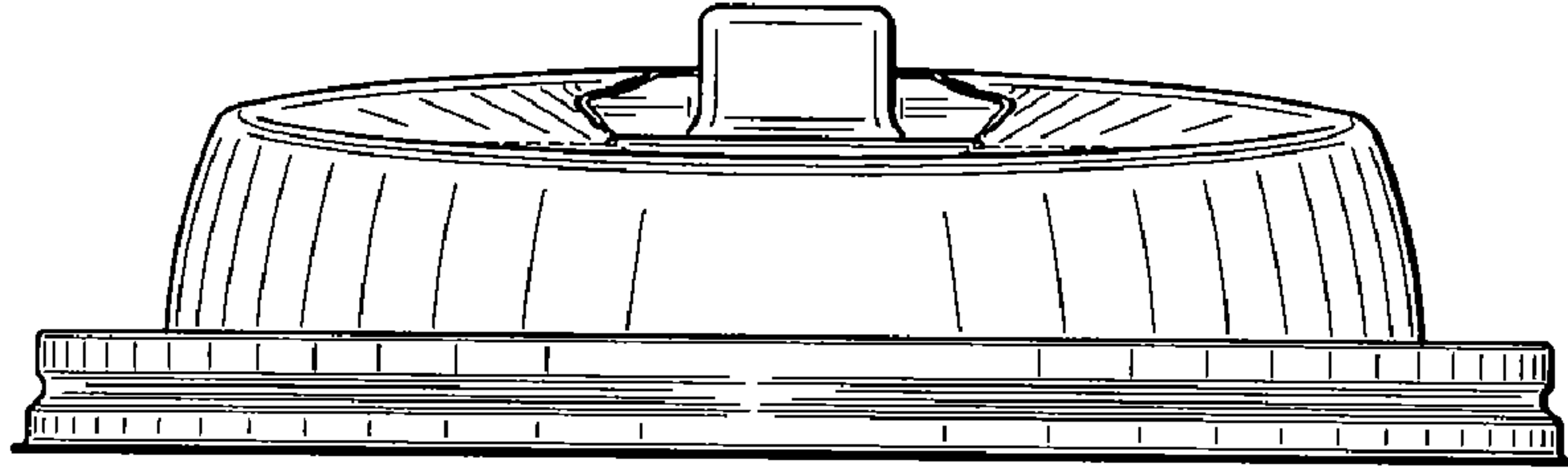


FIG.5

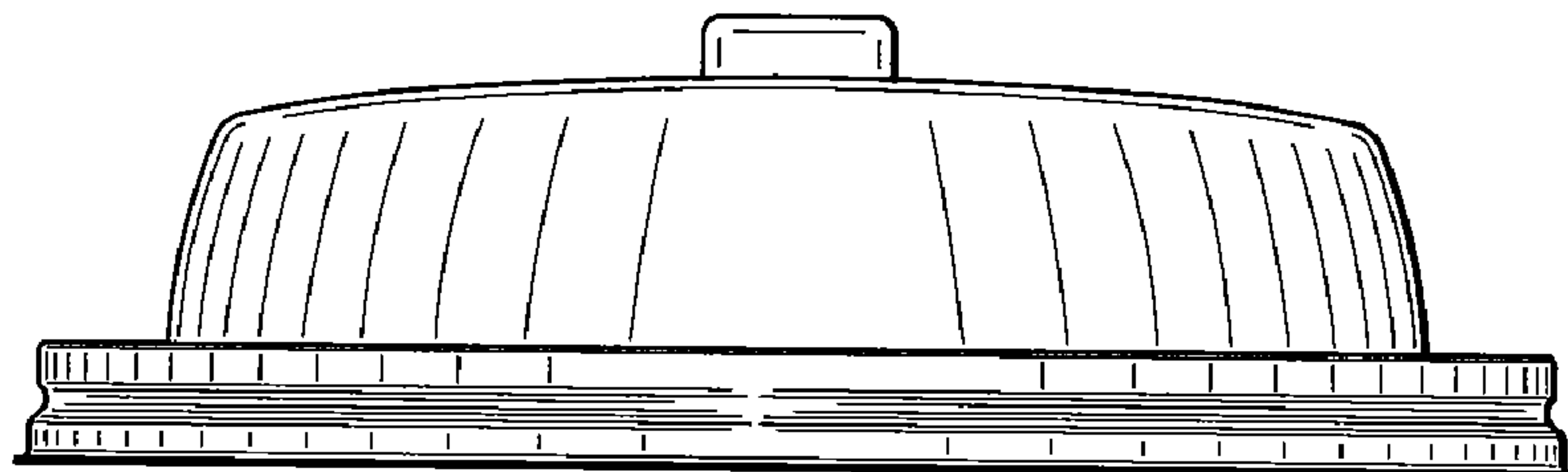


FIG.6

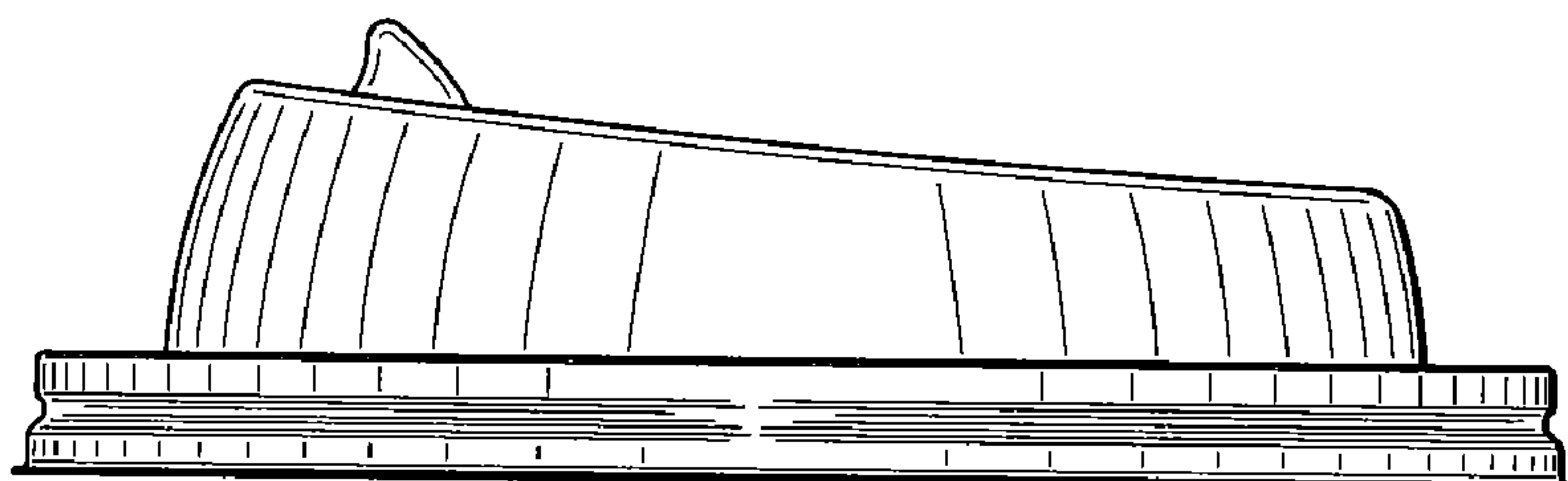


FIG. 7

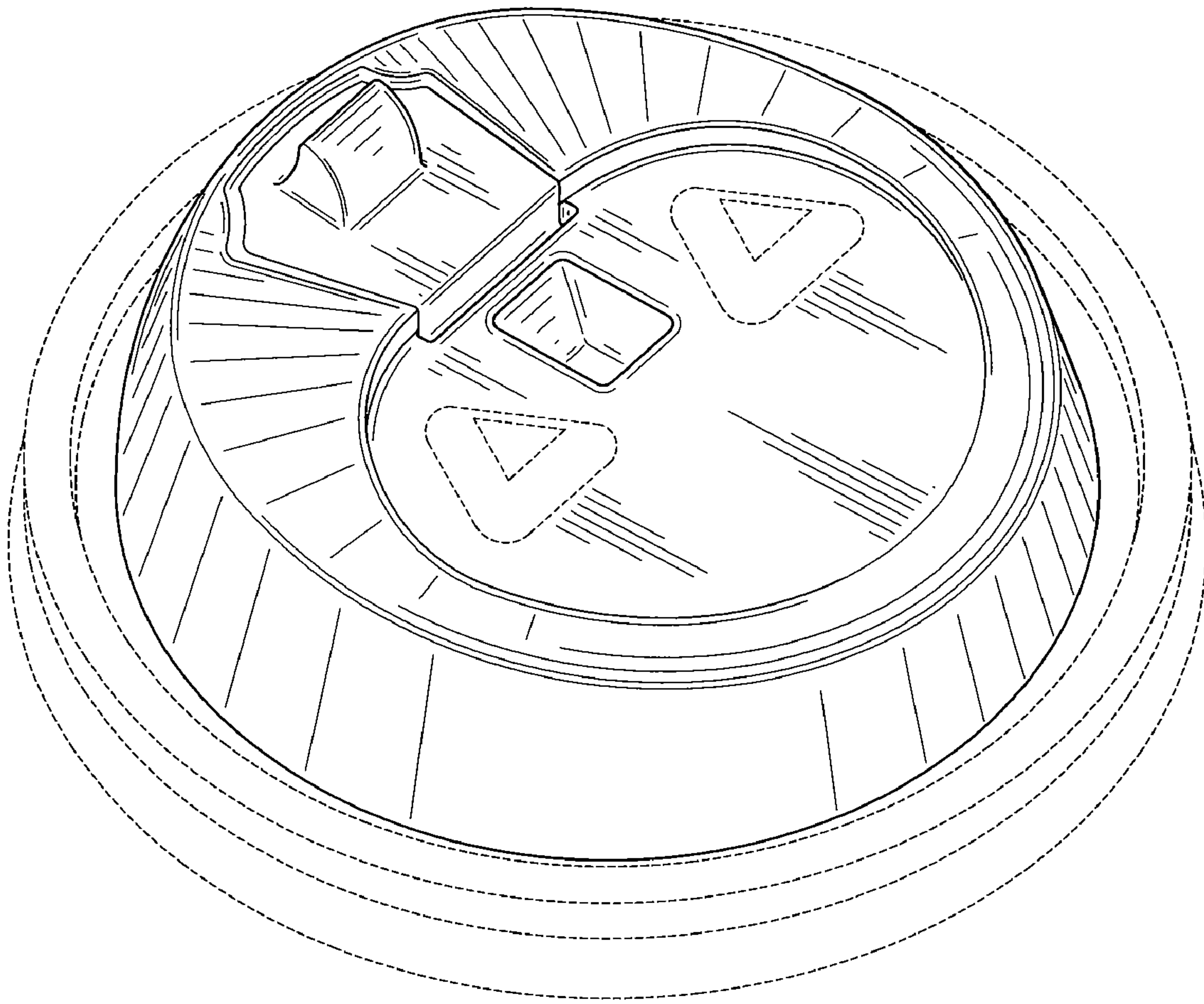


FIG.8

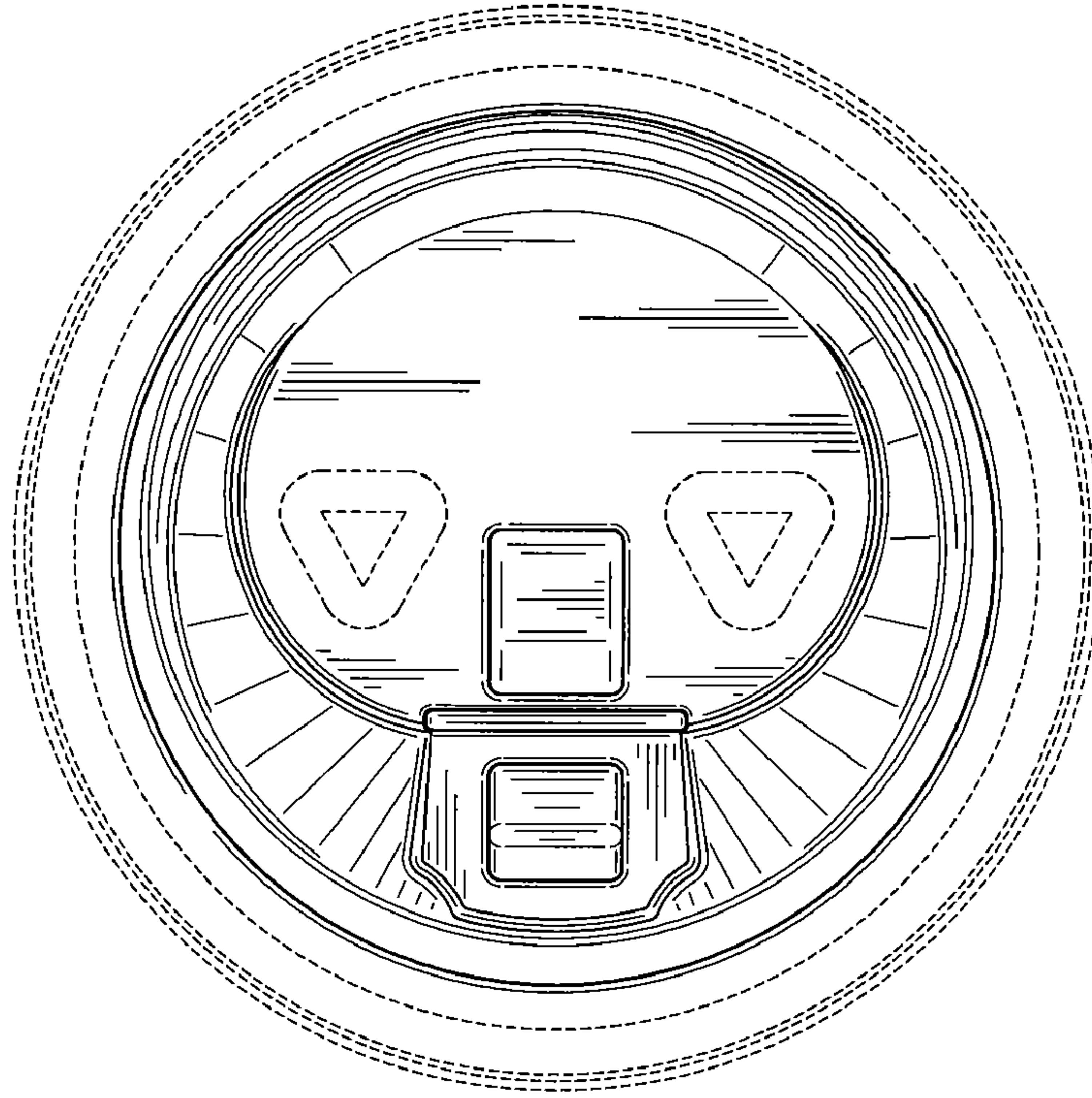


FIG.9

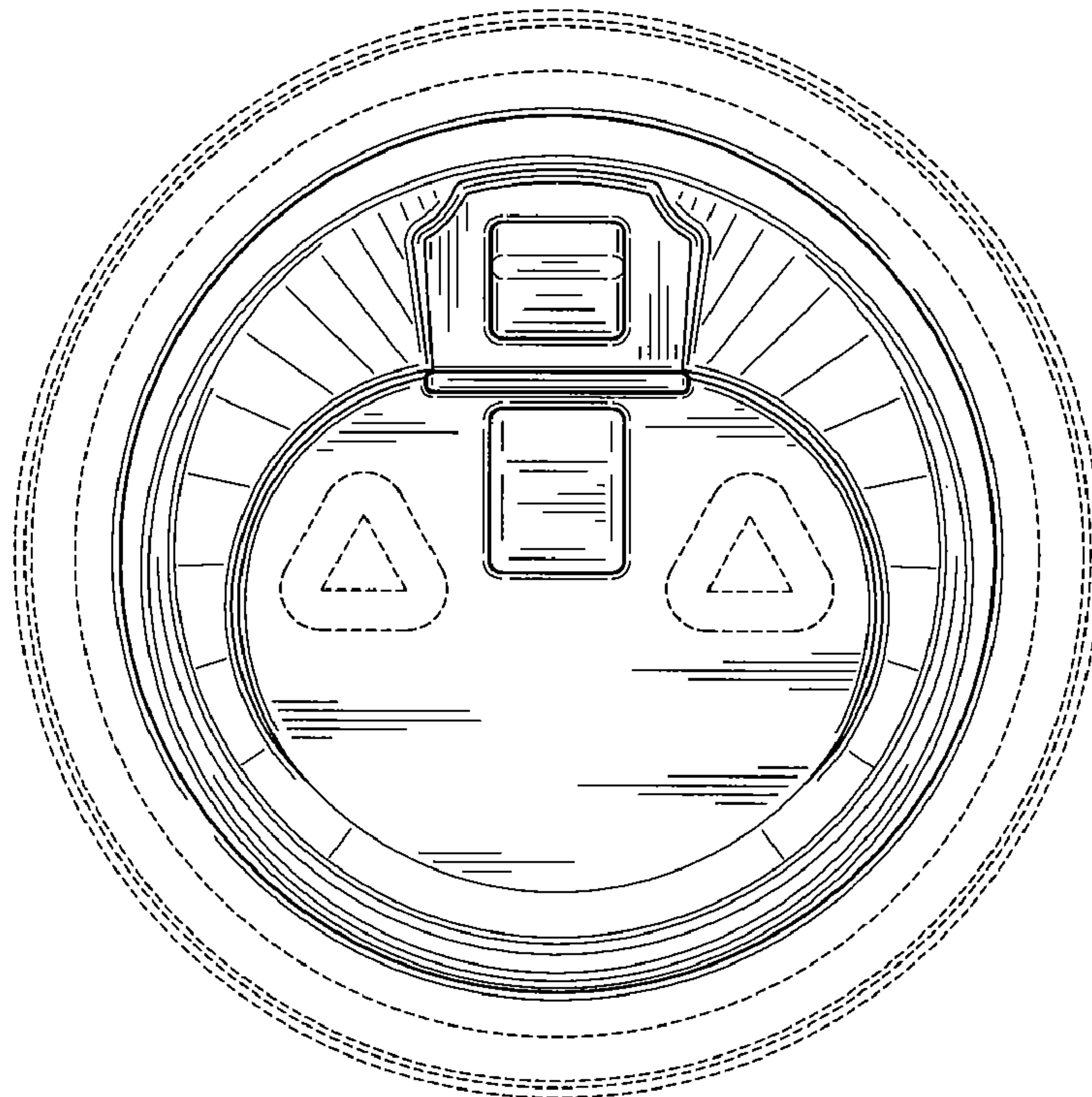


FIG.10

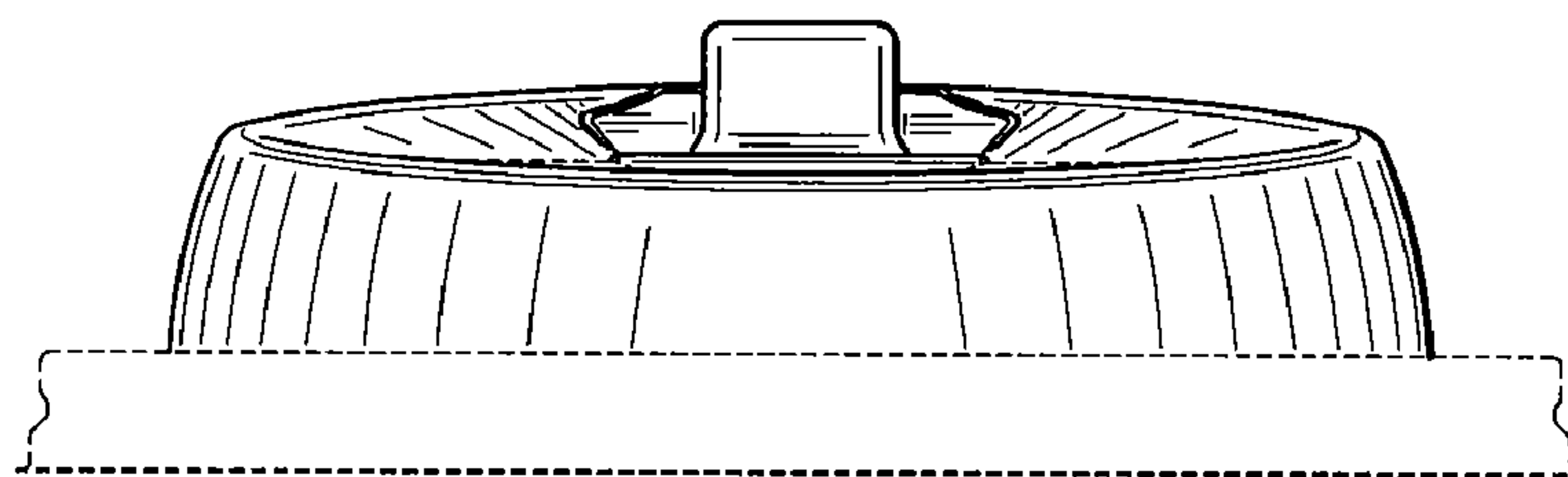


FIG.11

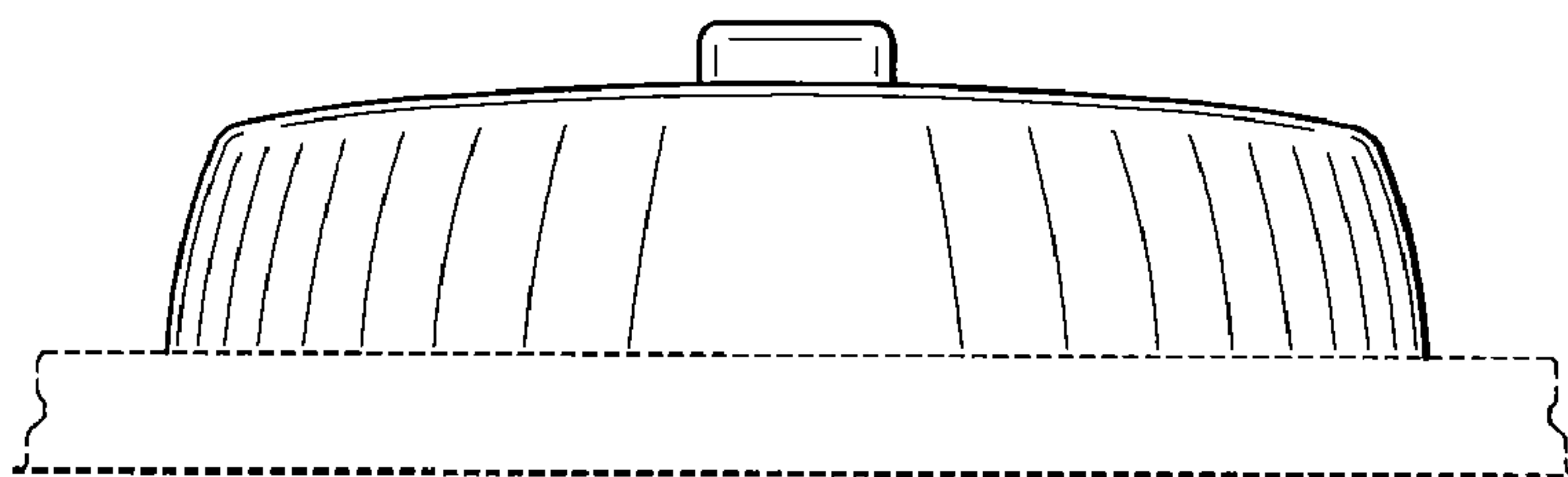
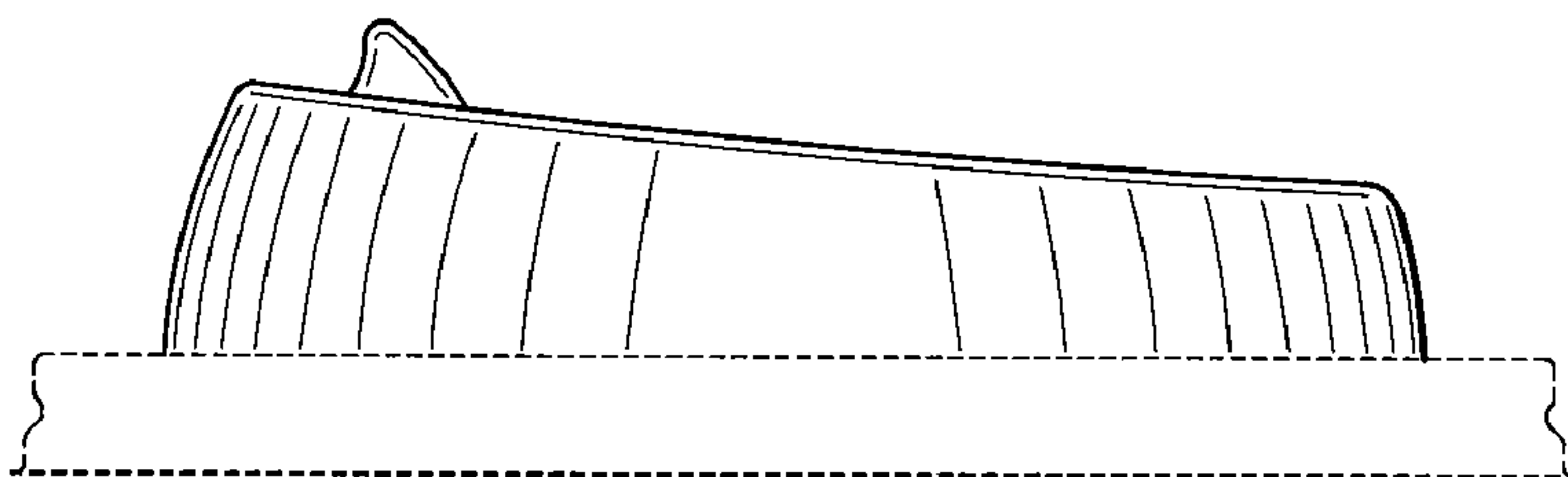


FIG.12



UNITED STATES PATENT AND TRADEMARK OFFICE
CERTIFICATE OF CORRECTION

PATENT NO. : Des. 570,686 S
APPLICATION NO. : 29/250410
DATED : June 10, 2008
INVENTOR(S) : Robert W. Hollis et al.

Page 1 of 1

It is certified that error appears in the above-identified patent and that said Letters Patent is hereby corrected as shown below:

ON THE FRONT PAGE:

In (73) change "Pactiv Corporation, Lake Forest, IL (US)" to --Prairie Packaging, Inc.,
Bedford Park, IL (US)--

Signed and Sealed this

Second Day of September, 2008

A handwritten signature in black ink that reads "Jon W. Dudas". The signature is written in a cursive style with a large, looped initial "J".

JON W. DUDAS

Director of the United States Patent and Trademark Office