



US00D570682S

(12) **United States Design Patent**
Erden

(10) **Patent No.:** **US D570,682 S**
(45) **Date of Patent:** **** Jun. 10, 2008**

(54) **CARTON**

(75) Inventor: **Semra Erden**, Santa Rosa, CA (US)

(73) Assignee: **Constellation Brands, Inc.**,
Healdsburg, CA (US)

(**) Term: **14 Years**

(21) Appl. No.: **29/260,785**

(22) Filed: **Jun. 1, 2006**

(51) **LOC (8) Cl.** **09-03**

(52) **U.S. Cl.** **D9/430**

(58) **Field of Classification Search** D9/430-433,
D9/414-418, 761; 229/105-106, 108, 108.1,
229/100, 112-113, 115-116, 162.1, 922,
229/938; 206/551, 746, 457, 784, 822
See application file for complete search history.

(56) **References Cited**

U.S. PATENT DOCUMENTS

2,342,623 A	2/1944	Aquino	
2,793,801 A	5/1957	Papadopoulos	
2,950,039 A	8/1960	Wilson	
3,314,532 A *	4/1967	Henry	206/782
3,463,379 A	8/1969	Dlugopolski	

(Continued)

Primary Examiner—Robert A. Delehanty

(74) *Attorney, Agent, or Firm*—Baker & Rannells, PA

(57) **CLAIM**

The ornamental design for a carton, as shown and described.

DESCRIPTION

FIG. 1 is an enlarged perspective view taken from the top, front, and left side of a carton showing our new design in a closed position;

FIG. 2 is a top plan view of the carton shown in FIG. 1 in a closed position;

FIG. 3 is a bottom view of the carton shown in FIG. 1 in a closed position;

FIG. 4 is a front elevational view of the carton shown in FIG. 1 in a closed position;

FIG. 5 is a rear elevational view of the carton shown in FIG. 1 in a closed position;

FIG. 6 is a left elevational side view of the carton shown in FIG. 1 in a closed position;

FIG. 7 is a right elevational side view of the carton shown in FIG. 1 in a closed position;

FIG. 8 is a front elevational view of the carton shown in FIG. 1 in an open configuration position;

FIG. 9 is a rear elevational view of the carton shown in FIG. 1 in an open configuration position;

FIG. 10 is a top plan view of the carton shown in FIG. 1 in an open configuration position;

FIG. 11 is an enlarged perspective view taken from the top and front of the carton shown in FIG. 1 in an open configuration position;

FIG. 12 is an enlarged perspective view taken from the bottom and front of the carton shown in FIG. 1 in an open configuration position;

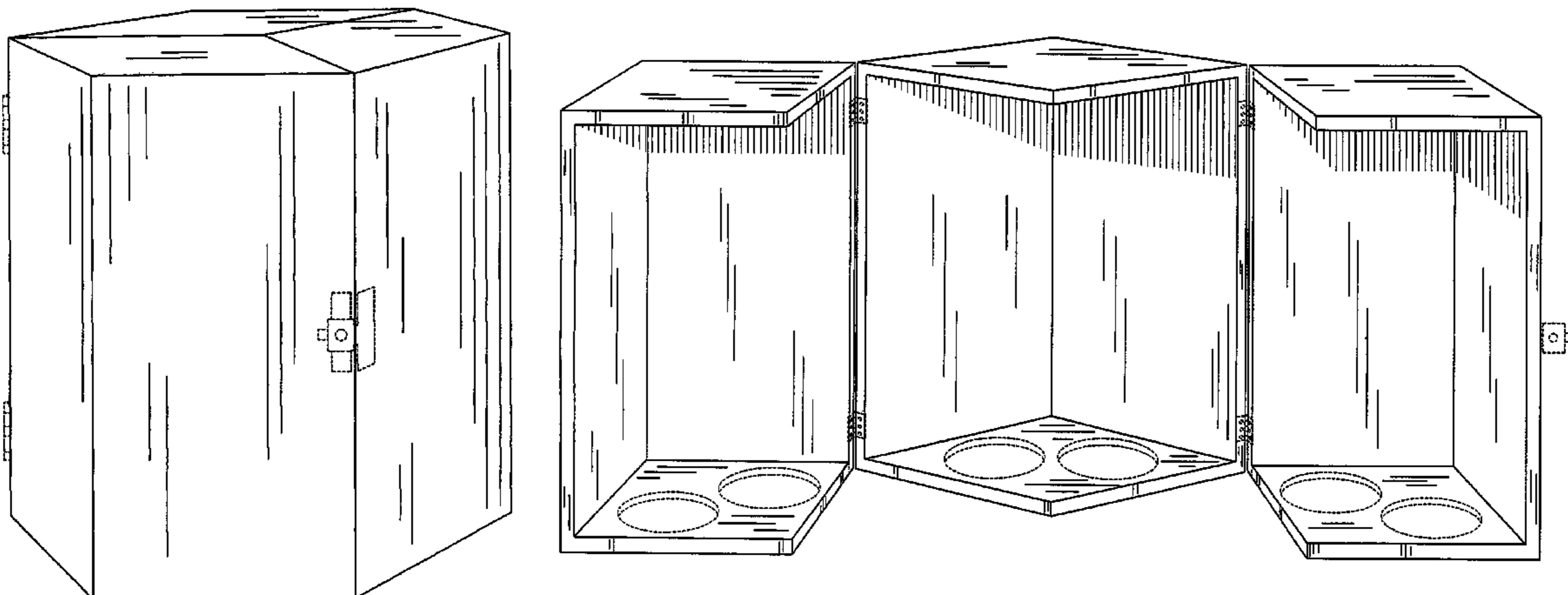
FIG. 13 is an enlarged perspective view taken from the top and front of the carton shown in FIG. 1 in another open configuration position, other views of the carton being the same as shown in FIGS. 1-7 and 9-10;

FIG. 14 is an enlarged perspective view of another embodiment taken from the bottom and front of the carton showing our new design, other views of the carton being the same as shown in FIGS. 1-7 and 9-10; and,

FIG. 15 is a front elevational view of the carton shown in FIG. 14 in an open configuration position.

The broken lines showing clasp, hinges and interior features are for illustration purposes only and form no part of the claimed design.

1 Claim, 10 Drawing Sheets



US D570,682 S

Page 2

U.S. PATENT DOCUMENTS

4,062,487	A	12/1977	Bliss					
4,065,047	A *	12/1977	Swan	206/110	D385,186	S	10/1997 Fildan	
4,205,775	A *	6/1980	Swan	229/104	5,676,274	A	10/1997 Green et al.	
4,284,189	A	8/1981	Vamvakas		D402,201	S	12/1998 Miller	
D266,487	S	10/1982	Mansau		5,971,263	A	10/1999 Mangano	
4,850,506	A *	7/1989	Heaps et al.	229/117.3	D429,429	S	8/2000 Murphy	
D324,823	S	3/1992	Scarpa et al.		D471,692	S *	3/2003 Scanduzzi	D99/35
D328,706	S	8/1992	Ruff		D472,466	S *	4/2003 Weinstein et al.	D9/430
5,207,321	A	5/1993	Jones		D472,467	S *	4/2003 Weinstein et al.	D9/430
D337,270	S	7/1993	Brockman		6,683,289	B2	1/2004 Whitmore et al.	
D367,226	S	2/1996	Ransbottom		D486,732	S	2/2004 Borkoski	
D373,531	S	9/1996	Cooksey		D495,598	S	9/2004 Smith	
D379,905	S *	6/1997	Cusanelli	D7/619.1	D502,646	S	3/2005 Postulka	

* cited by examiner

FIG. 1

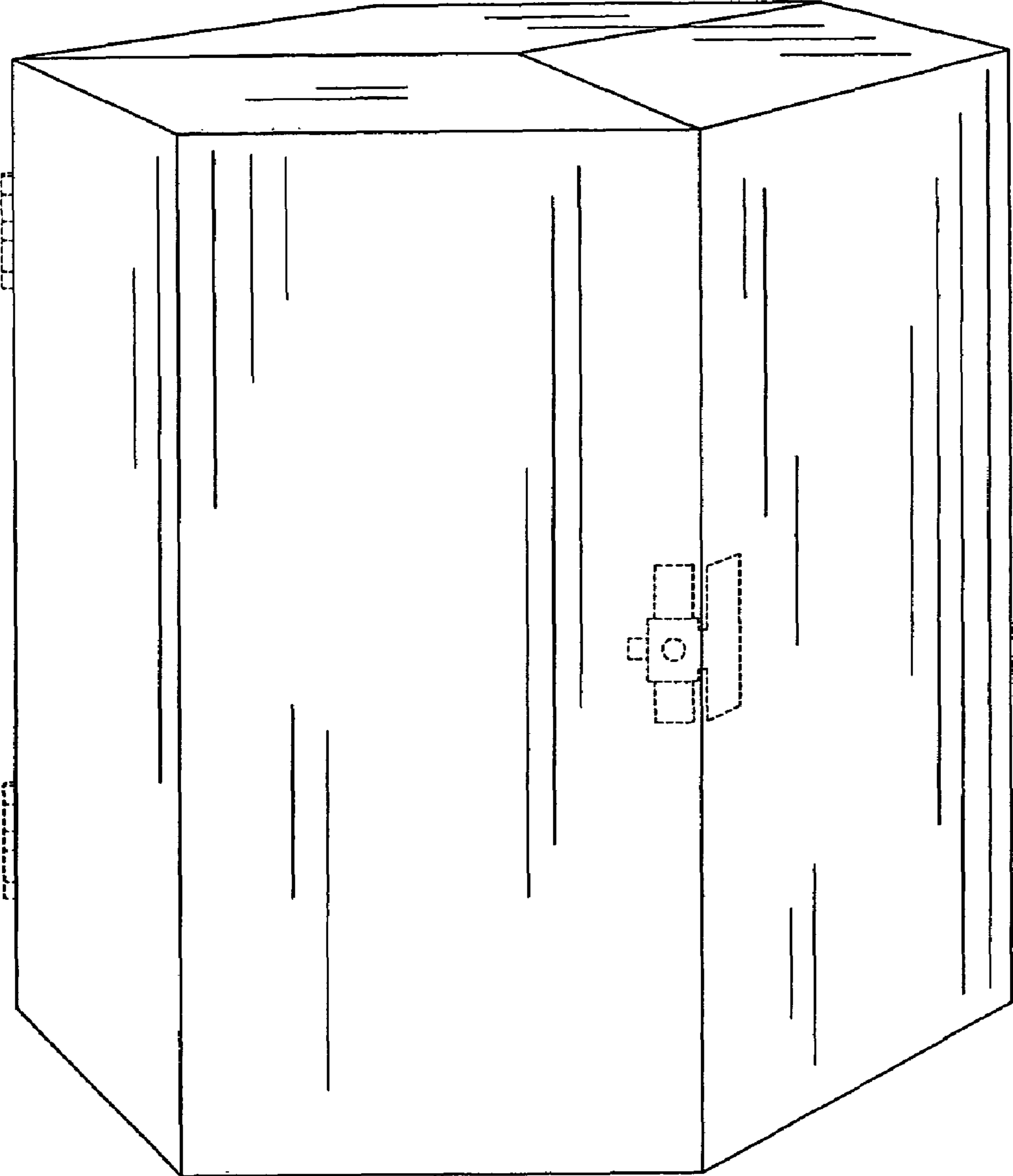


FIG. 2

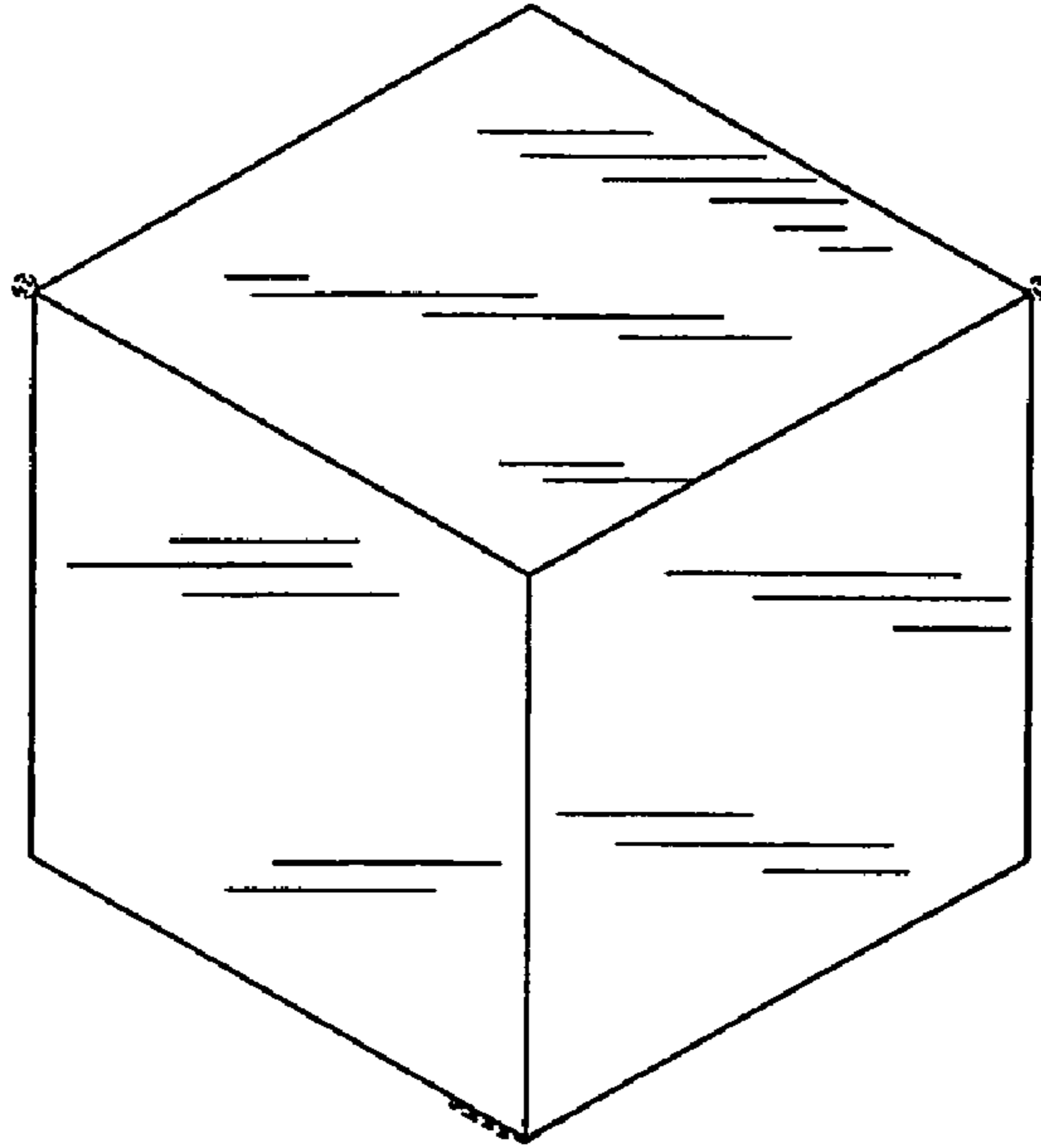


FIG. 3

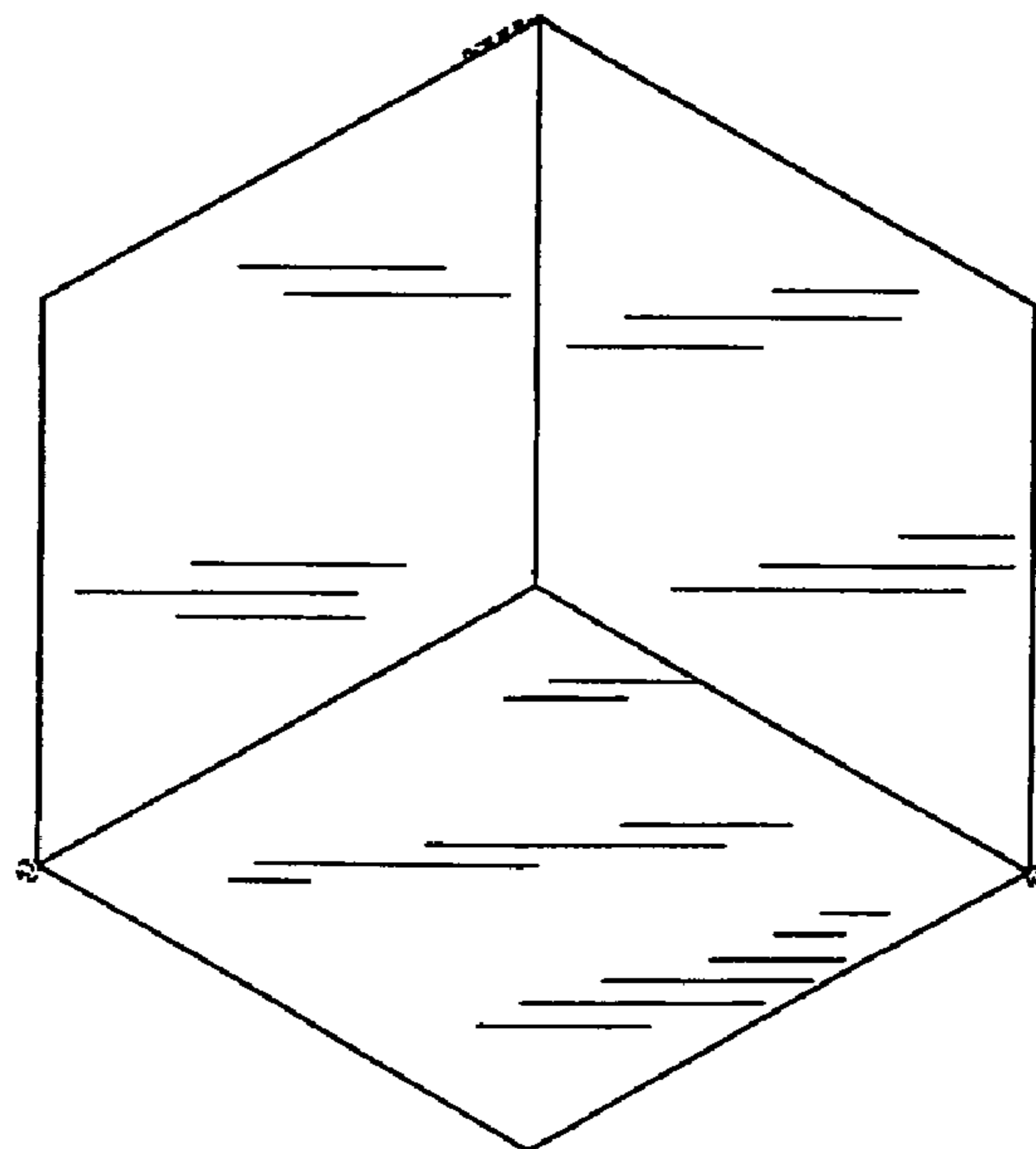


FIG. 4

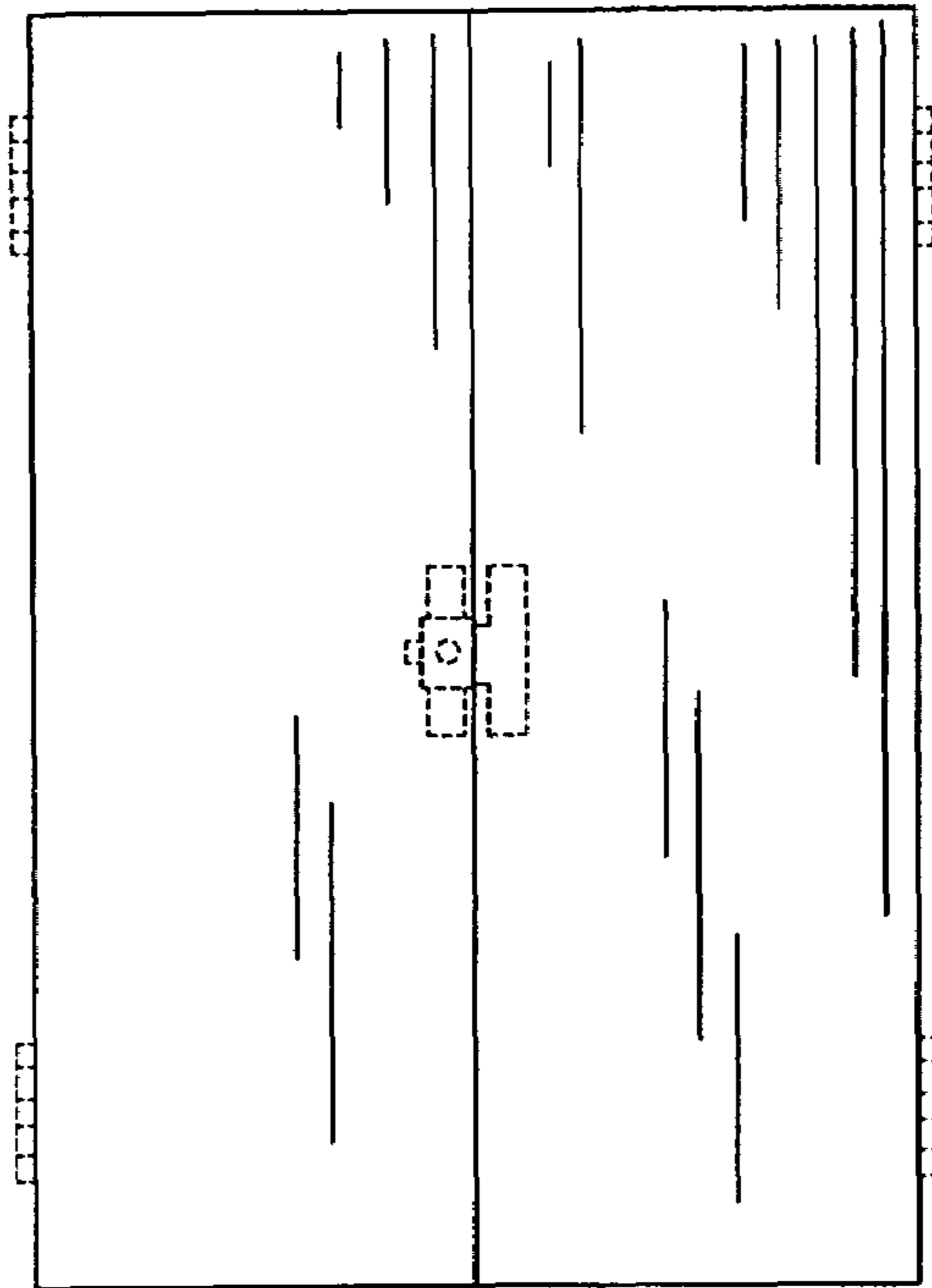


FIG. 5

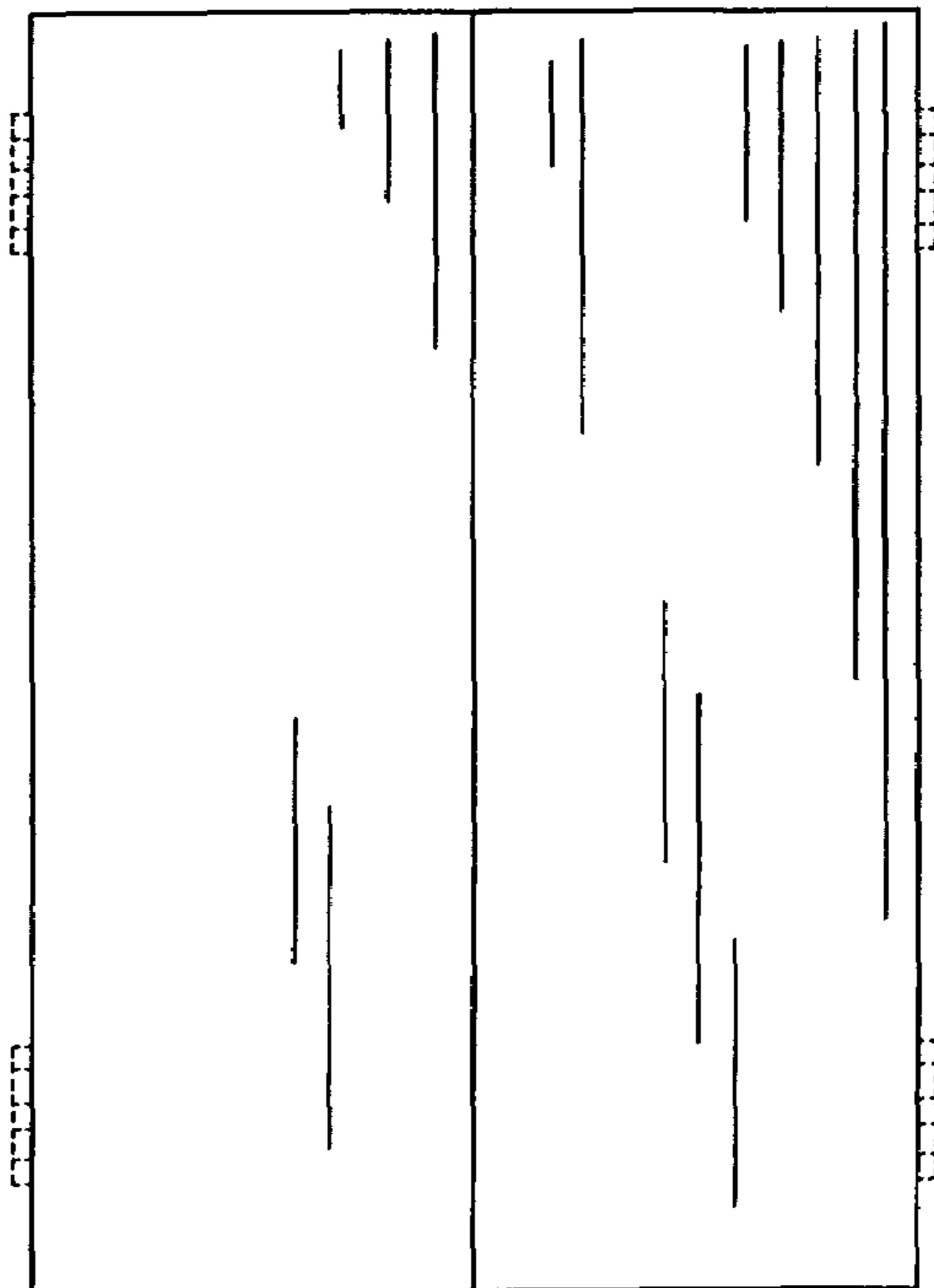


FIG. 6

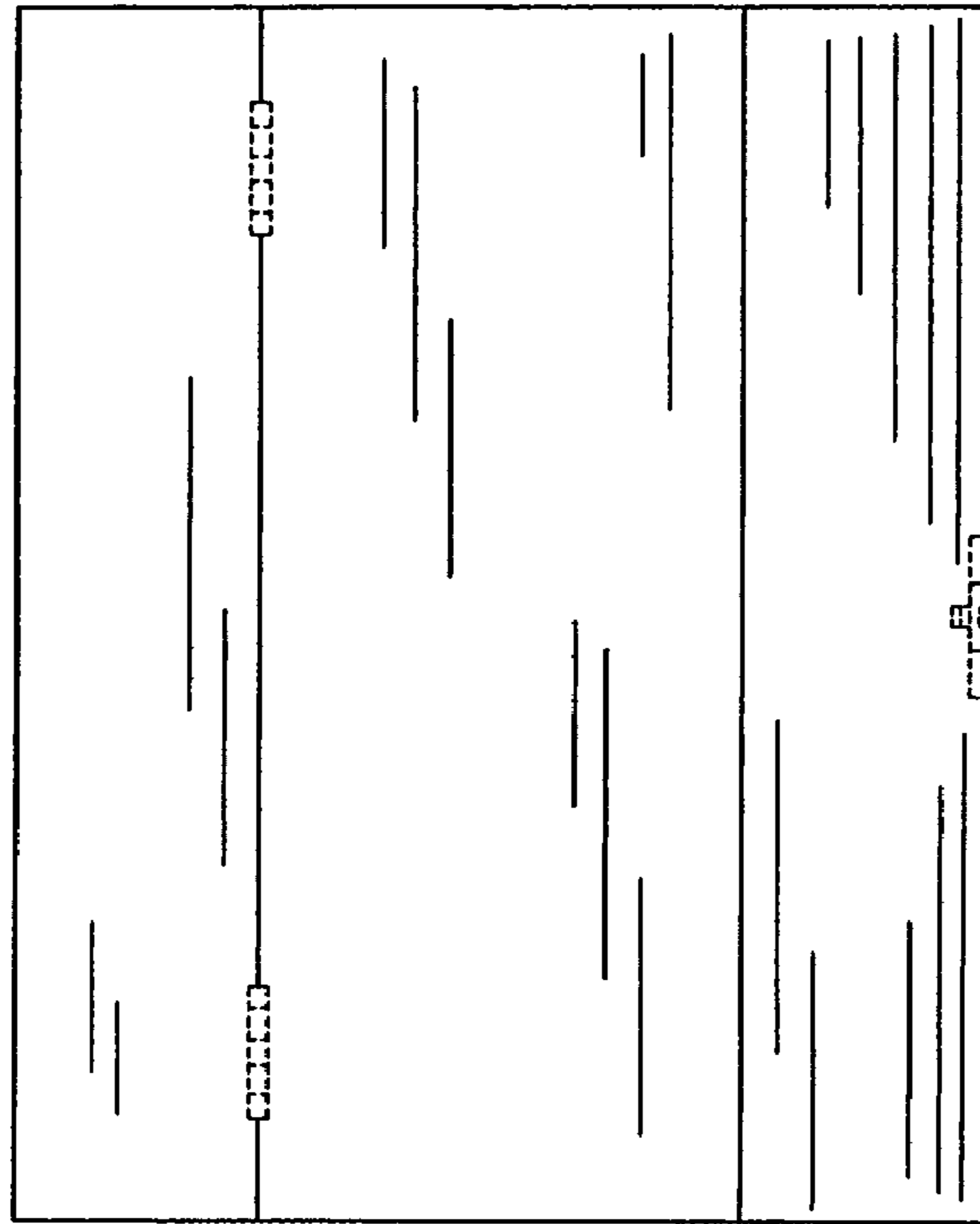


FIG. 7

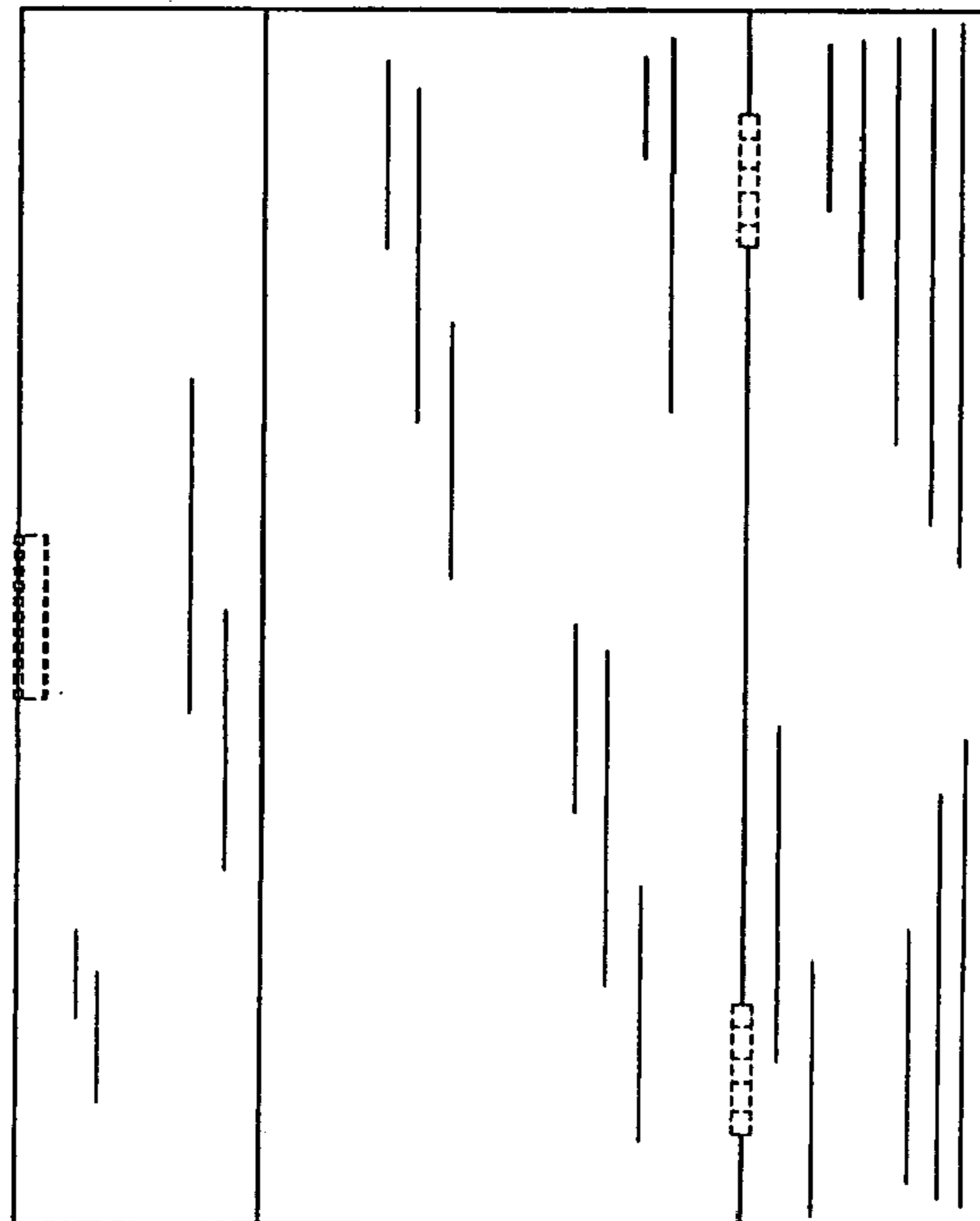


FIG. 8

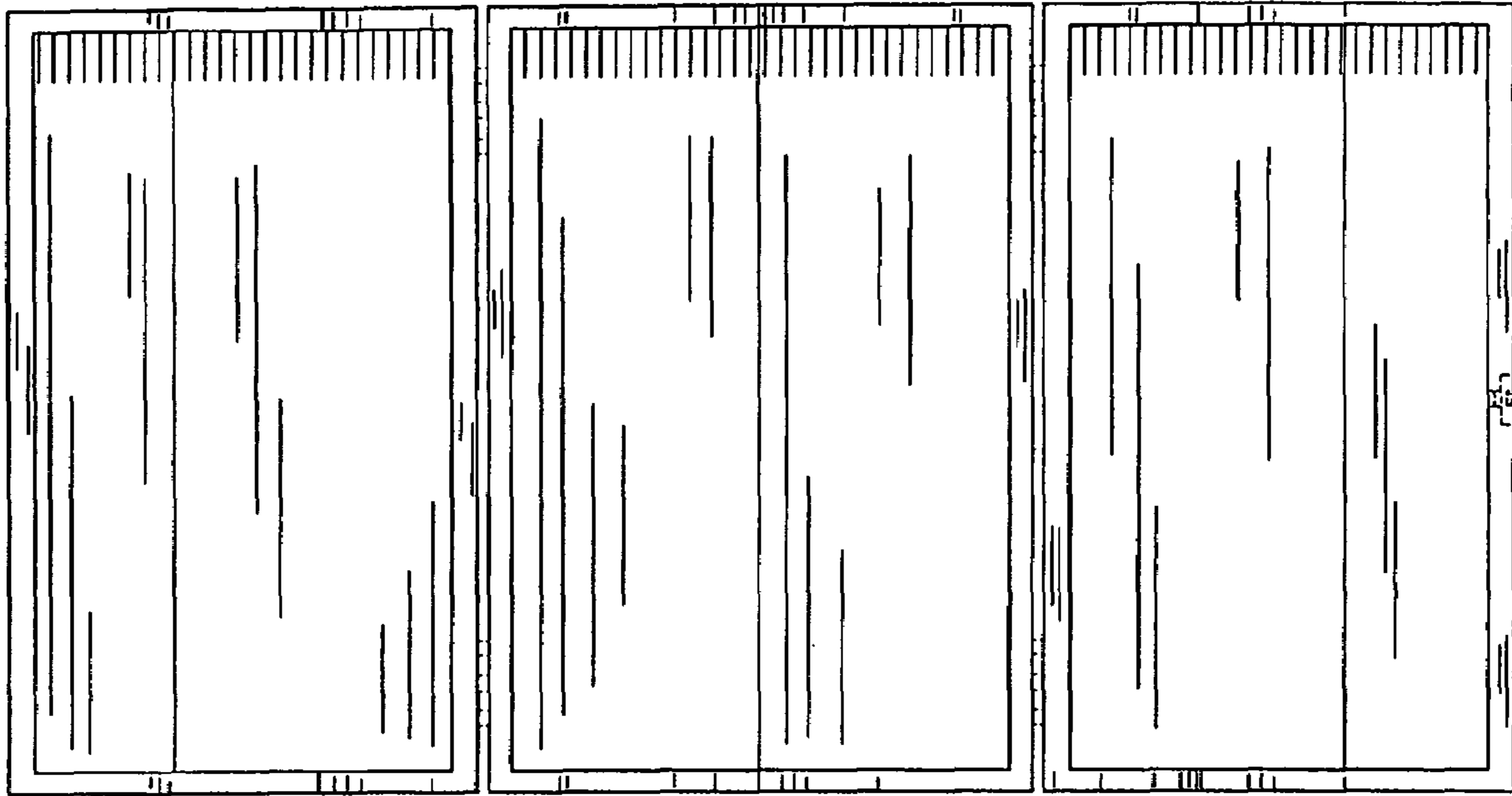


FIG. 9

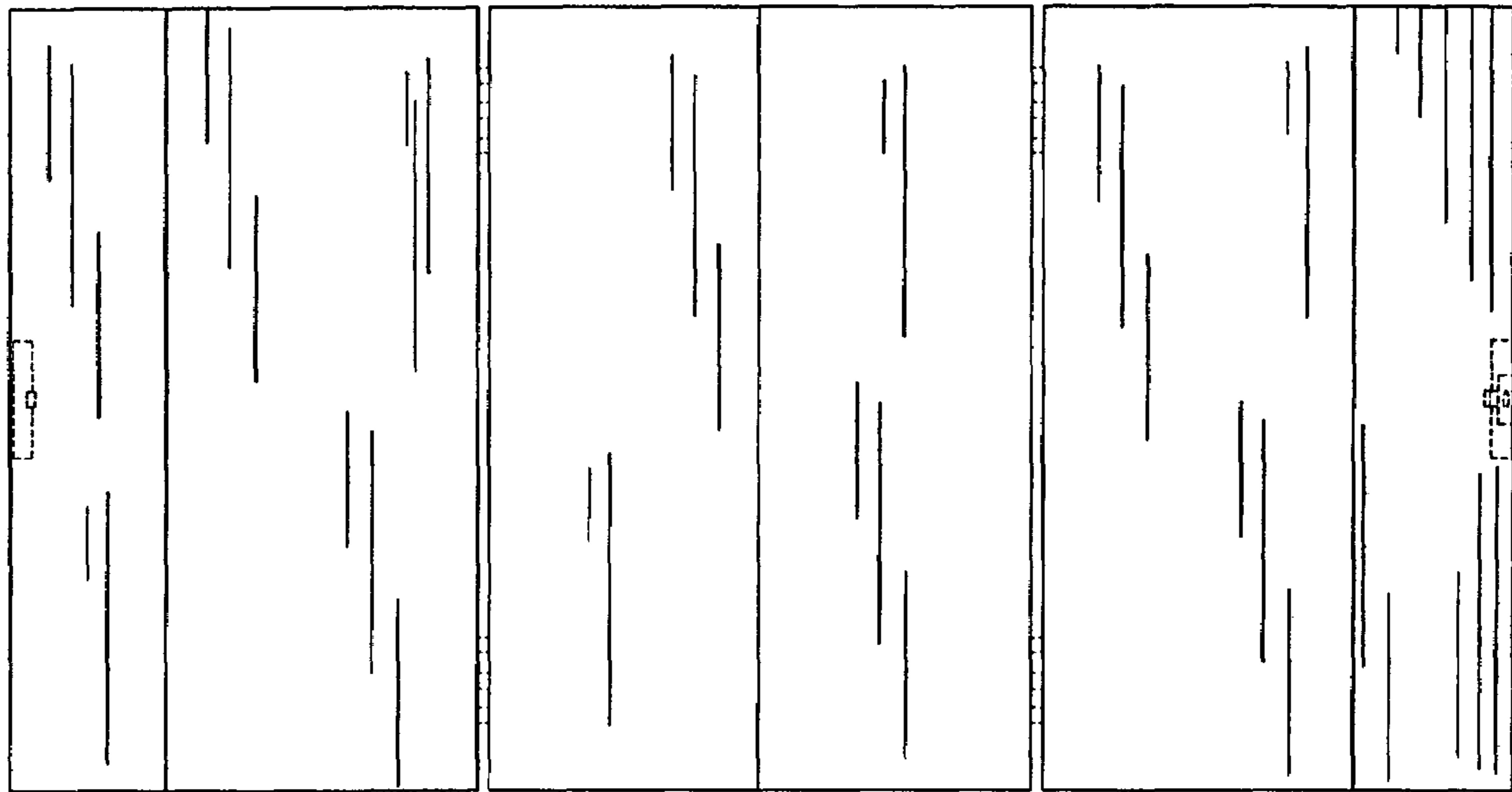


FIG. 10

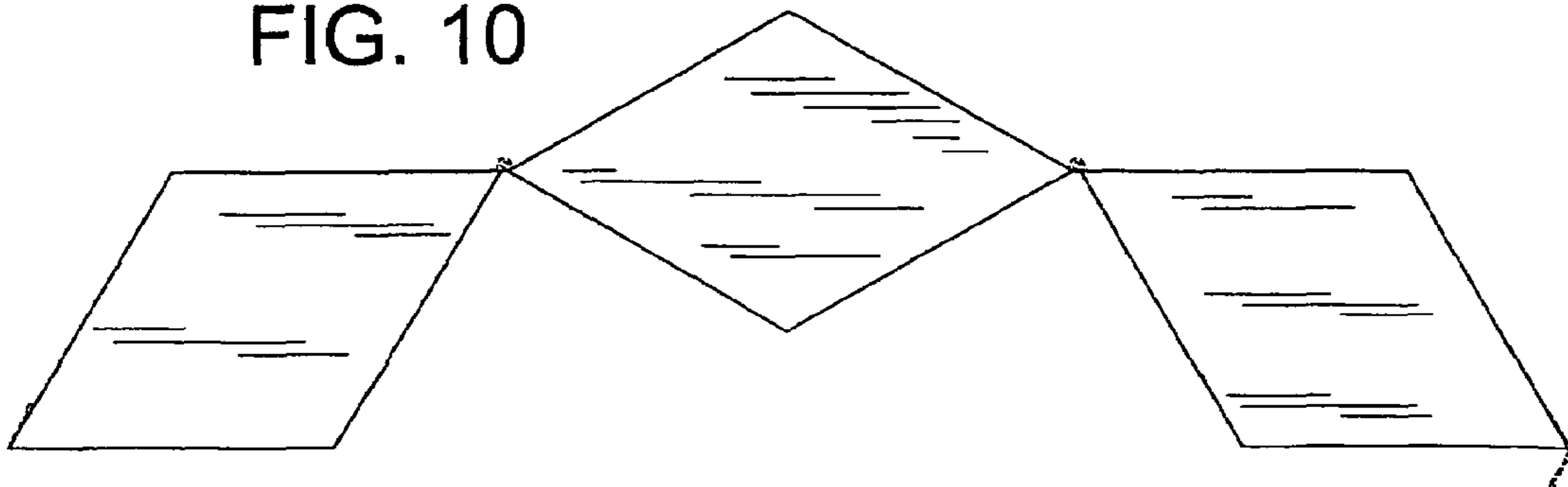


FIG. 11

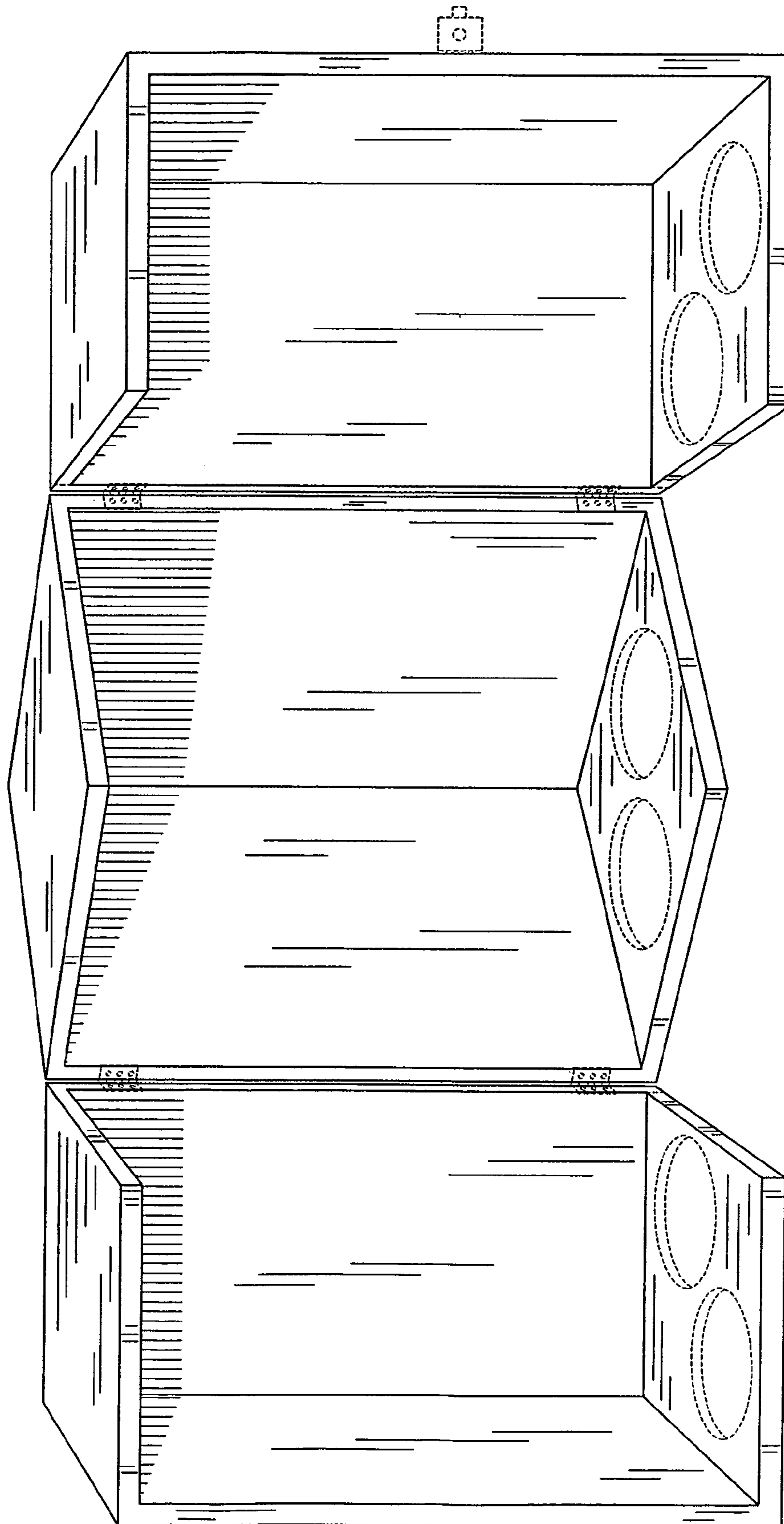


FIG. 12

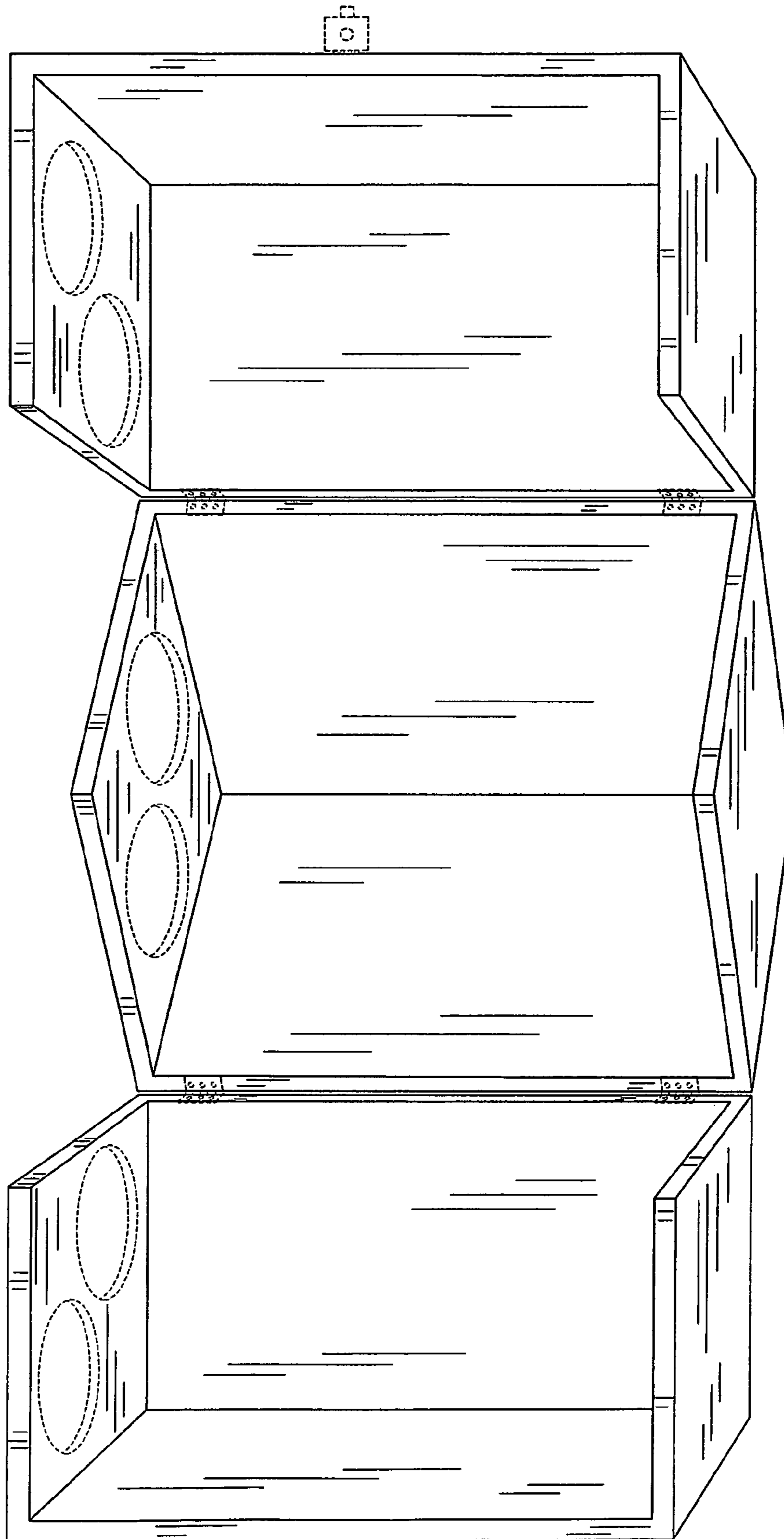


FIG. 13

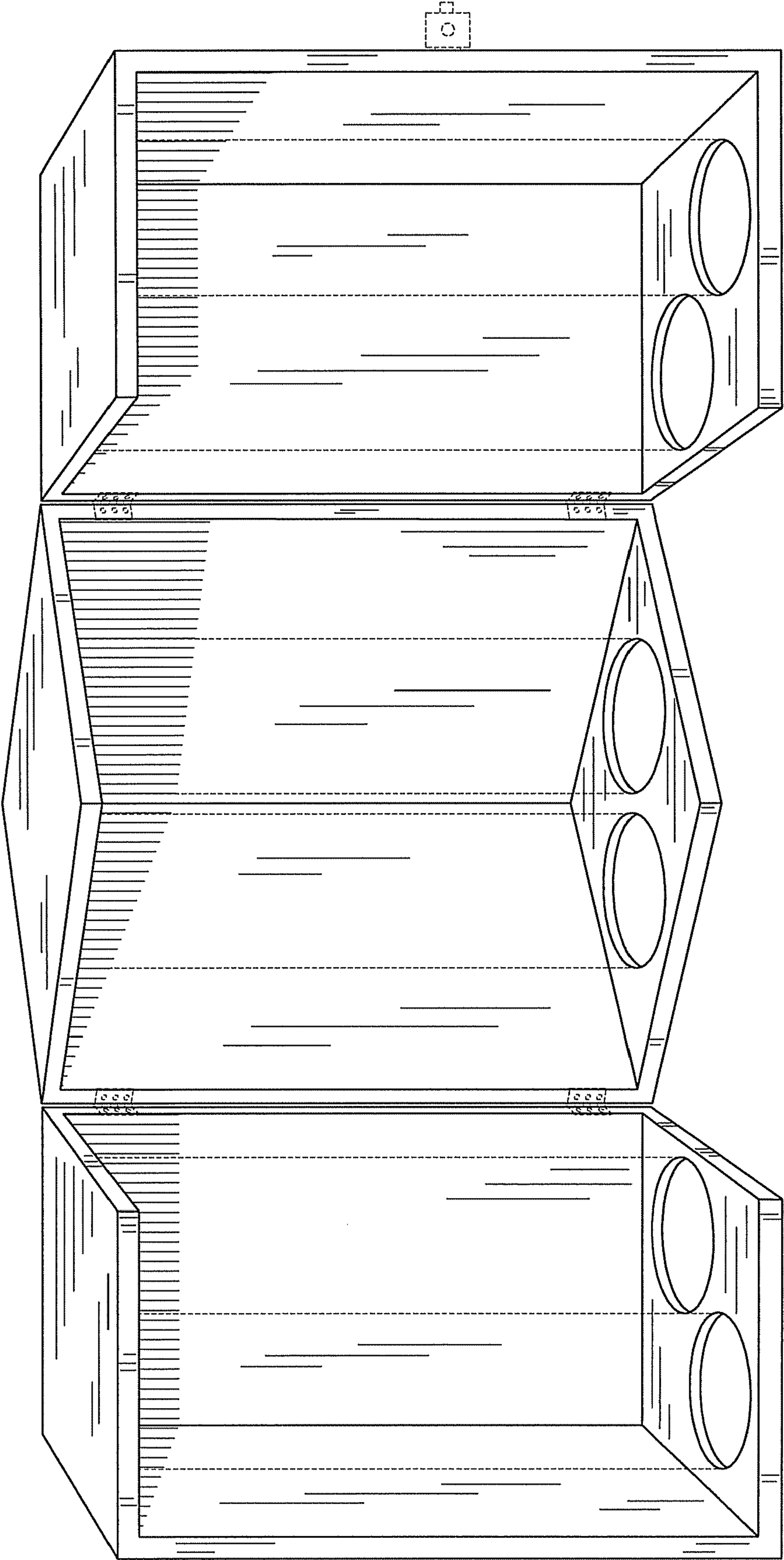


FIG. 14

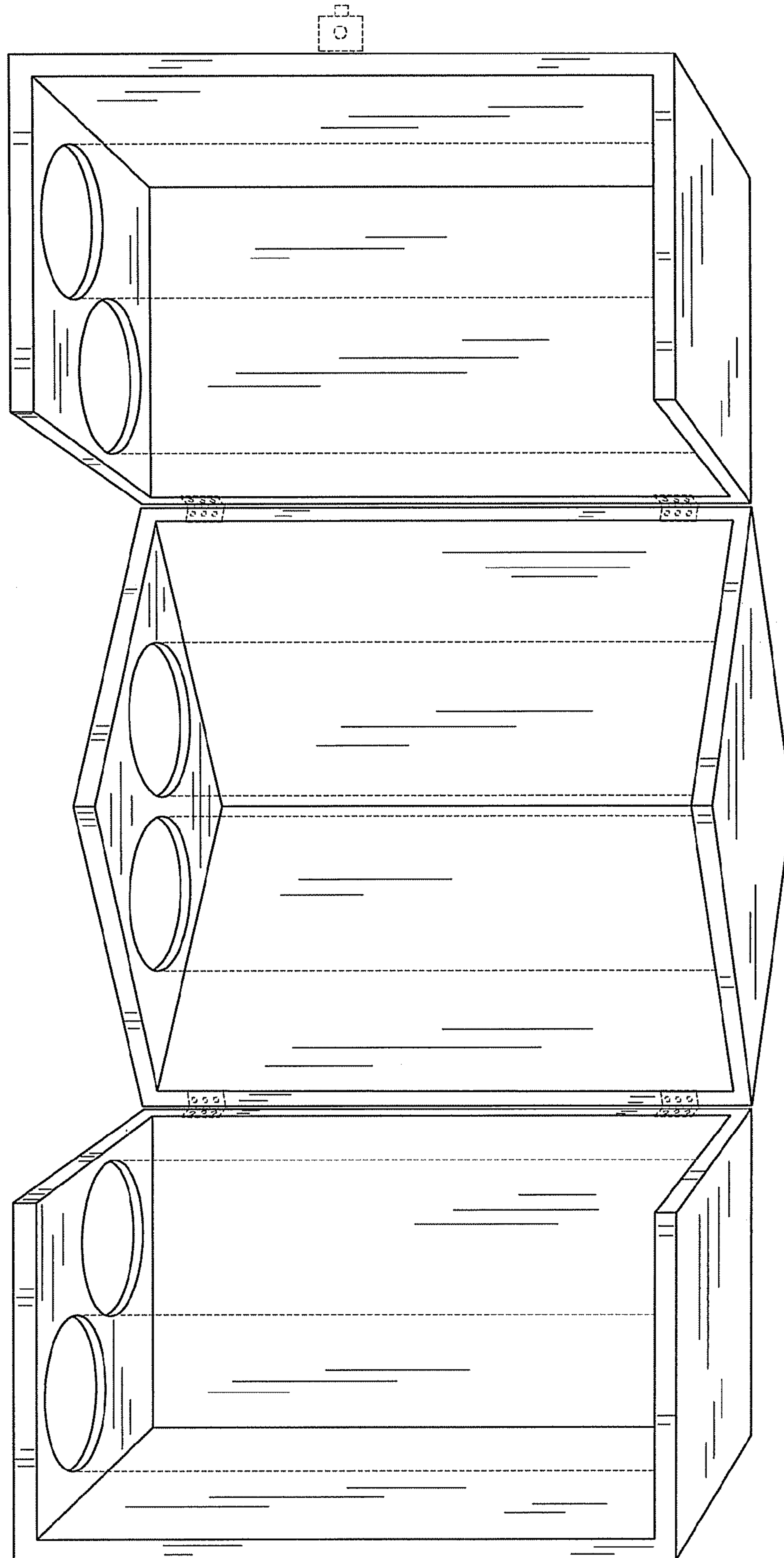


FIG. 15

