

US00D570677S

(12) **United States Design Patent**
Lee

(10) **Patent No.:** **US D570,677 S**
(45) **Date of Patent:** **** Jun. 10, 2008**

(54) **DOOR STOP**

(75) Inventor: **Chia Ying Lee**, Chicago, IL (US)

(73) Assignee: **Liberty Hardware Mfg. Corp.**,
Winston-Salem, NC (US)

(**) Term: **14 Years**

(21) Appl. No.: **29/286,138**

(22) Filed: **Apr. 25, 2007**

(51) **LOC (8) Cl.** **08-09**

(52) **U.S. Cl.** **D8/402**

(58) **Field of Classification Search** D8/400-402;
D6/300, 320, 323, 328; D28/73; D21/388;
16/82, 86 A, 86 R, 86 B, DIG. 17; 292/251.5,
292/340, DIG. 15; 267/140; D11/132
See application file for complete search history.

(56) **References Cited**

U.S. PATENT DOCUMENTS

D261,873 S * 11/1981 Marchand D11/131
D427,054 S * 6/2000 Markarian D8/400

D455,196 S * 4/2002 Caplow D23/249
D466,734 S * 12/2002 Moore D6/523
D477,946 S * 8/2003 Ouano D6/524
D478,755 S * 8/2003 Moore D6/524
D522,103 S * 5/2006 Hoernig D23/252
D530,956 S * 10/2006 Gilbert D6/550

* cited by examiner

Primary Examiner—Cathron Brooks

Assistant Examiner—Barbara Fox

(74) *Attorney, Agent, or Firm*—Edgar A. Zarins; Lloyd D. Doigan

(57) **CLAIM**

The ornamental design for a door stop, as shown and described.

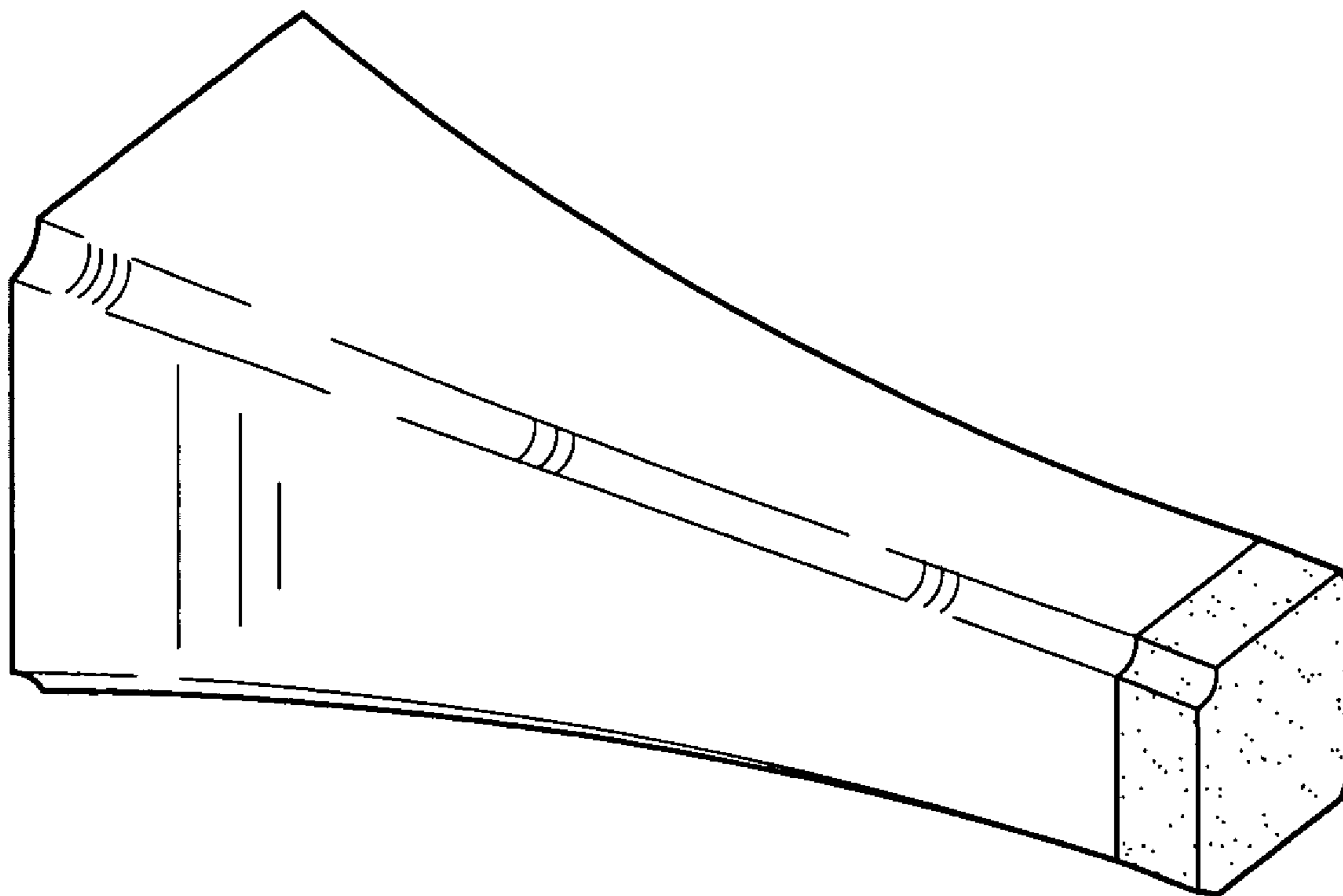
DESCRIPTION

FIG. 1 is a perspective view of a door stop showing my new design;

FIG. 2 is a side view thereof; and,

FIG. 3 is an end view thereof.

1 Claim, 1 Drawing Sheet



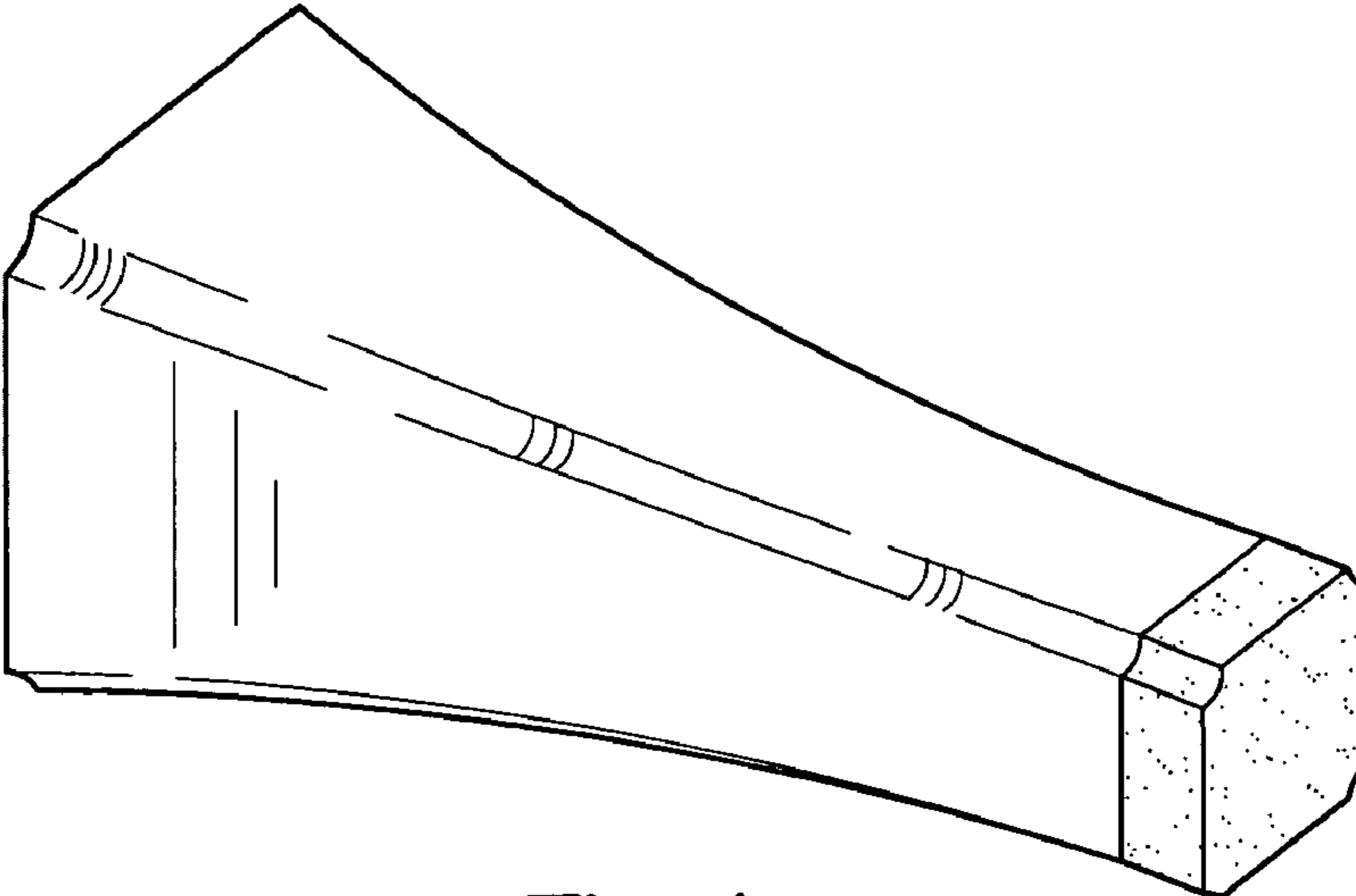


Fig-1

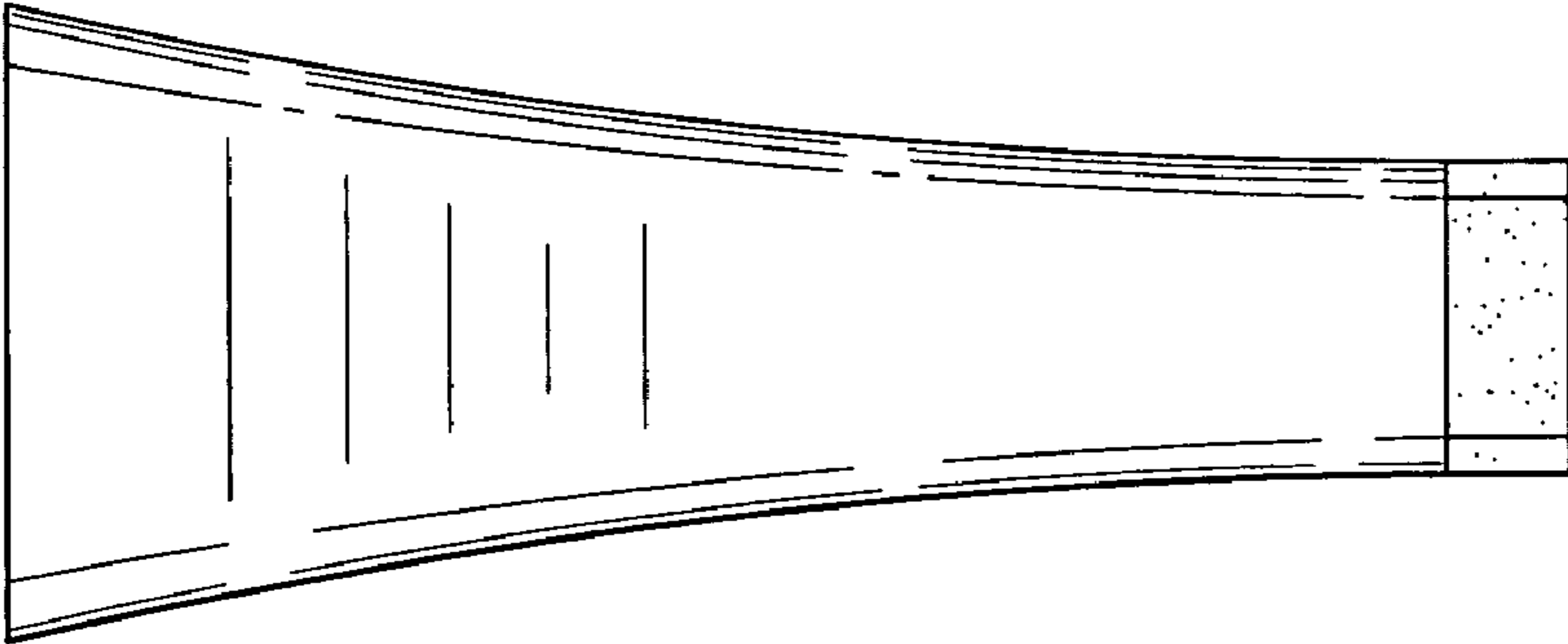


Fig-2

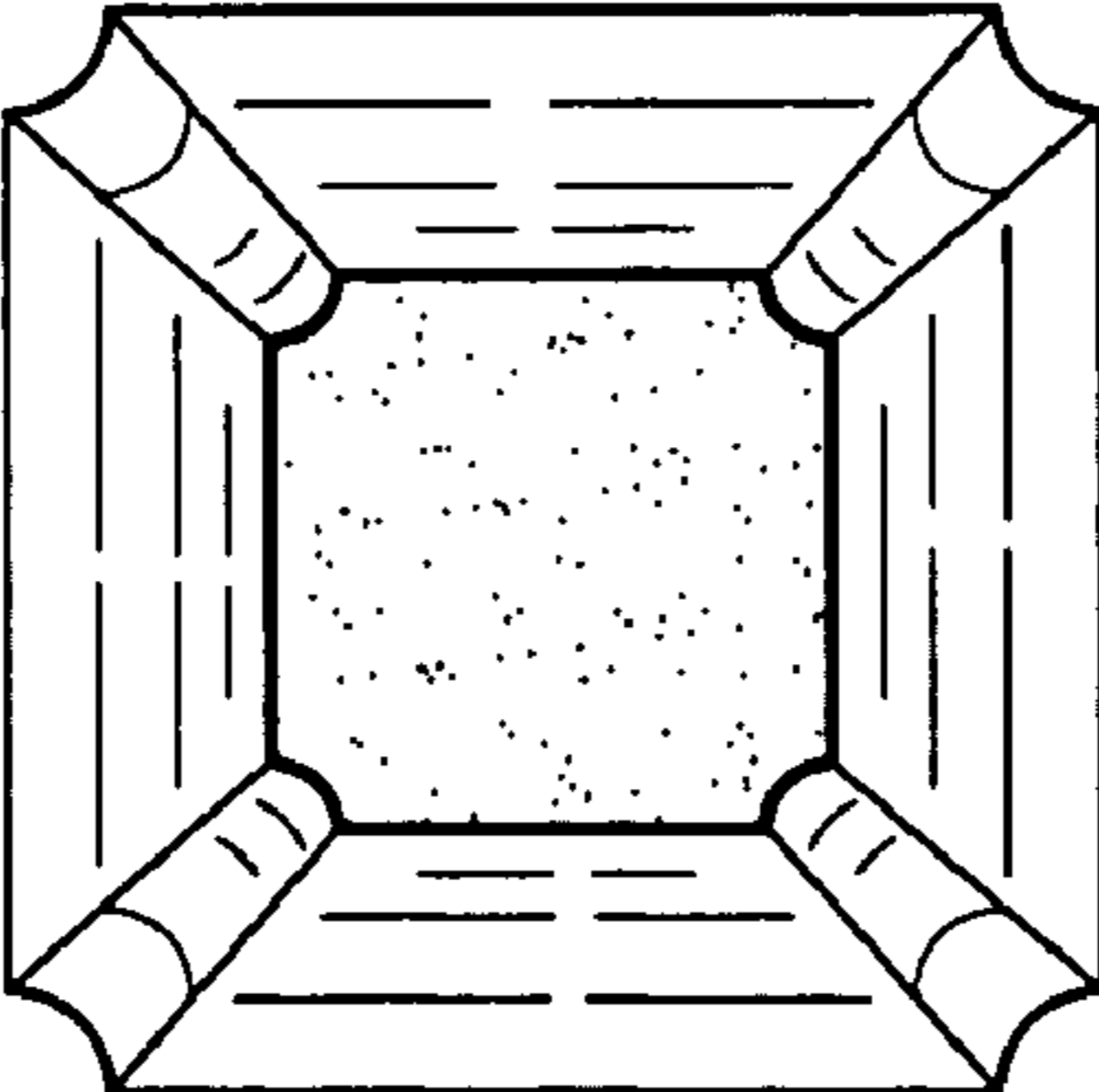


Fig-3