



US00D570674S

(12) **United States Design Patent**
Boylan et al.

(10) **Patent No.: US D570,674 S**
(45) **Date of Patent: ** Jun. 10, 2008**

(54) **PROTECTIVE CLIP FOR NAILING FIN OF A NEW CONSTRUCTION WINDOW**

D344,809 S * 3/1994 Bancroft D25/121
D381,176 S * 7/1997 Patois et al. D34/29
D505,734 S * 5/2005 Rintamaki D25/121

(76) Inventors: **Robert V. Boylan**, 7943 Sunnyvale La.,
Charlotte, NC (US) 28210; **William T. Lepire**, 2001 Walhala Dr., Richmond,
VA (US) 23236

* cited by examiner

Primary Examiner—Robert M. Spear
Assistant Examiner—John Windmuller
(74) *Attorney, Agent, or Firm*—Gregory N. Clements;
Clements Bernard Miller

(**) Term: **14 Years**

(21) Appl. No.: **29/215,111**

(57) **CLAIM**

(22) Filed: **Oct. 13, 2004**

The ornamental design for a protective clip for a nailing fin of a new construction window, as shown and described.

(51) **LOC (8) Cl.** **08-08**

(52) **U.S. Cl.** **D8/395; D25/121; D25/123**

(58) **Field of Classification Search** D8/356,
D8/371, 394–396; 24/570; 248/49, 62,
248/74.1–74.4, 737.2, 215, 227.1, 300, 301,
248/316.7, 51, 489; D24/128; D19/65;
D32/65

DESCRIPTION

See application file for complete search history.

FIG. 1 is an isometric view of a protective clip for a nailing fin of a new construction window showing our new design; FIG. 2 is a top elevational view of the clip; FIG. 3 is a left side elevational view thereof; FIG. 4 is a front elevational view thereof; the rear view being a mirror image thereof; FIG. 5 is a right side elevational view thereof; and, FIG. 6 is a bottom elevational view thereof.

(56) **References Cited**

U.S. PATENT DOCUMENTS

1,586,053 A * 5/1926 Snyder 52/737.6
2,114,791 A * 4/1938 Williams 52/461
3,199,901 A * 8/1965 Jeppsson 285/364
3,868,804 A * 3/1975 Tantlinger 52/98
D246,889 S * 1/1978 Eckerline D8/382

The clip is shown broken away in the middle to indicate it has no particular length.

1 Claim, 2 Drawing Sheets

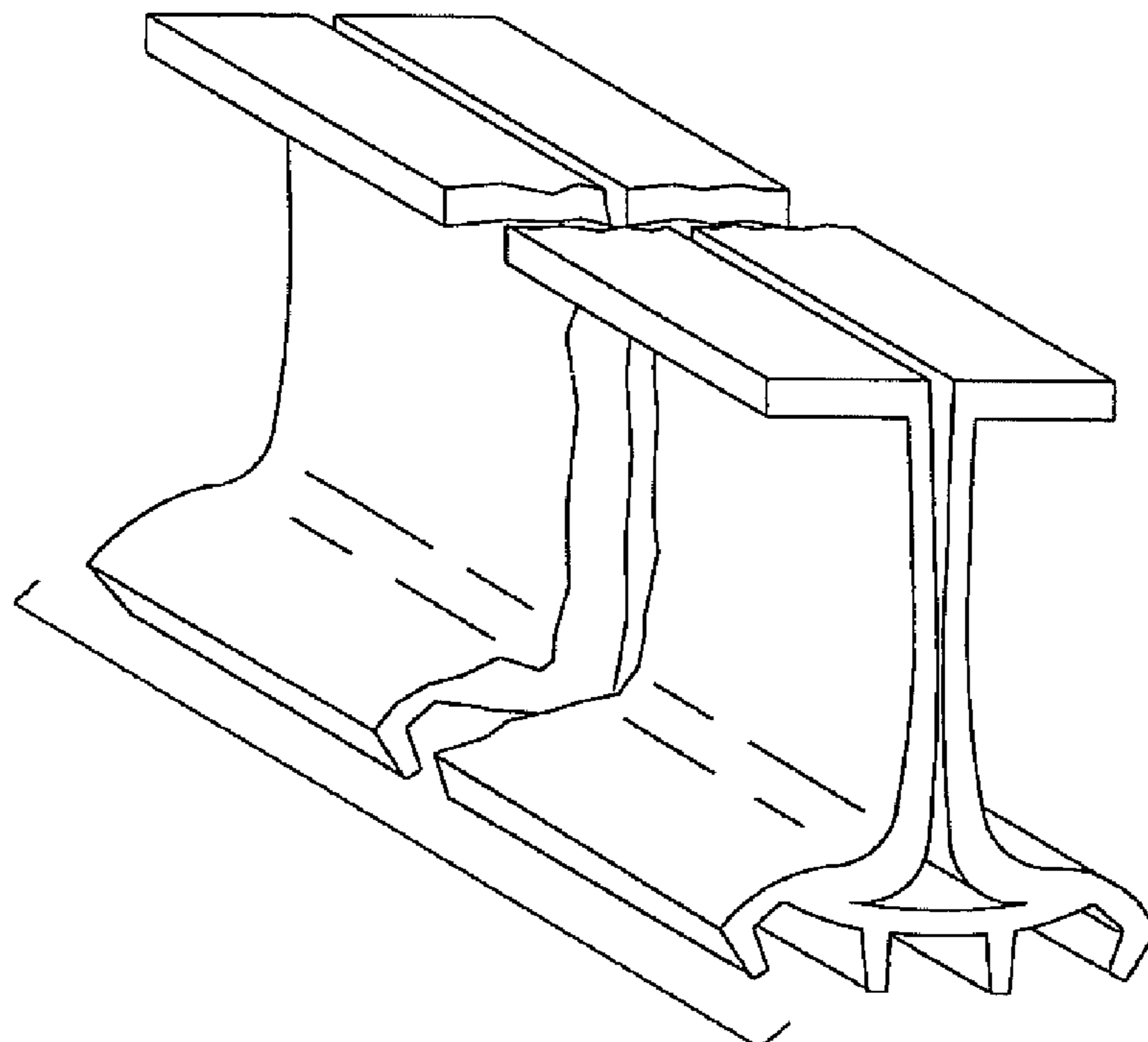


Fig. 1

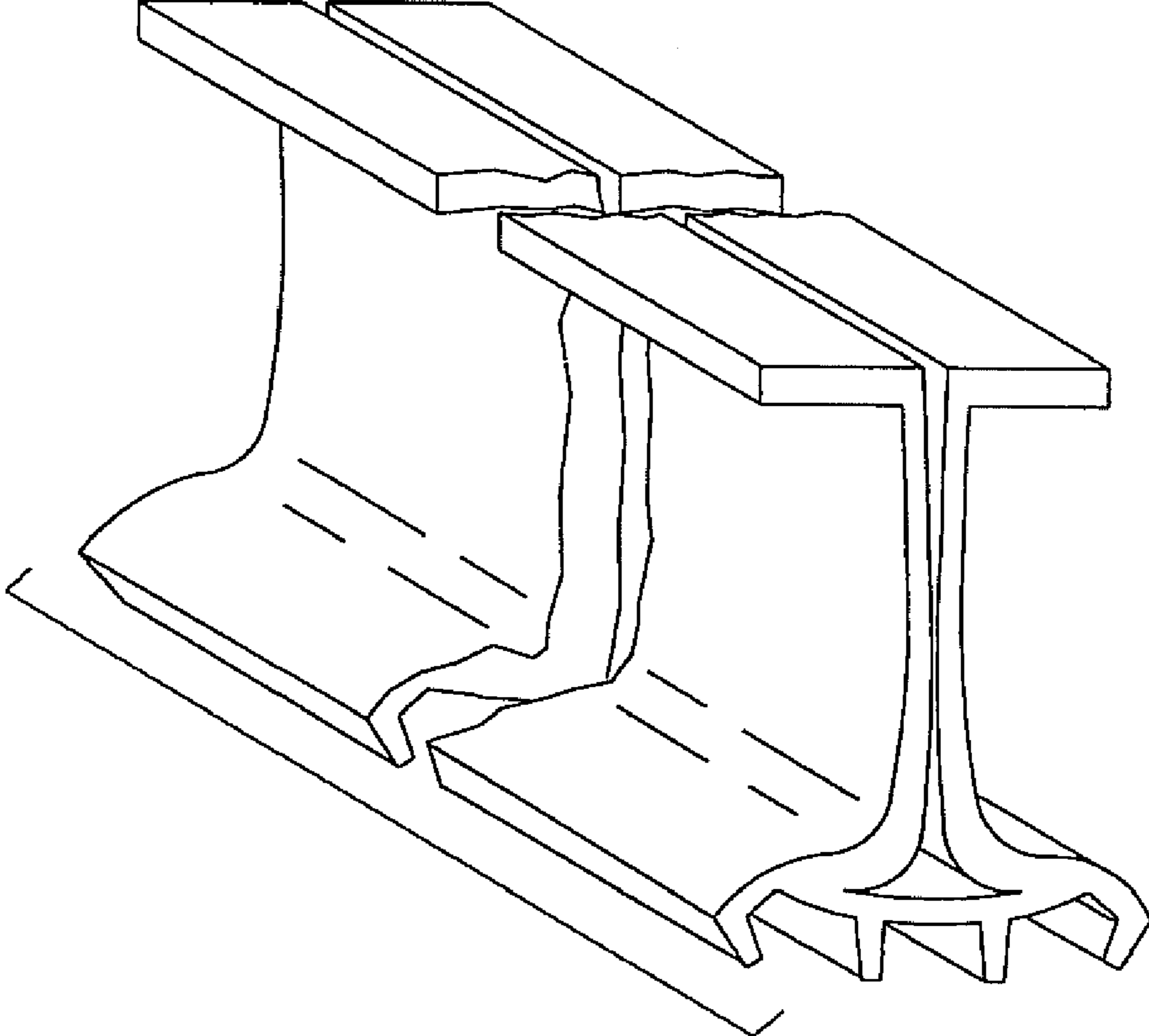


Fig. 2

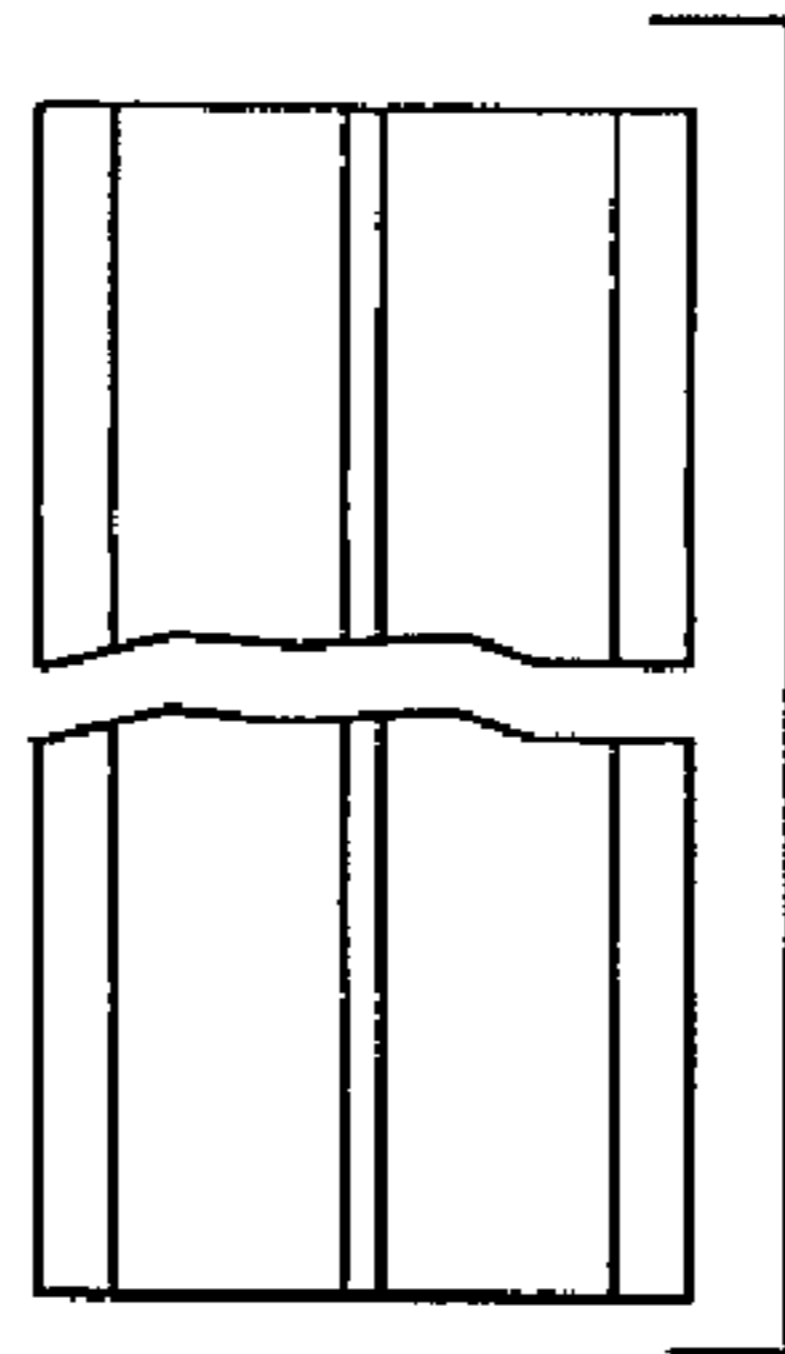


Fig. 3

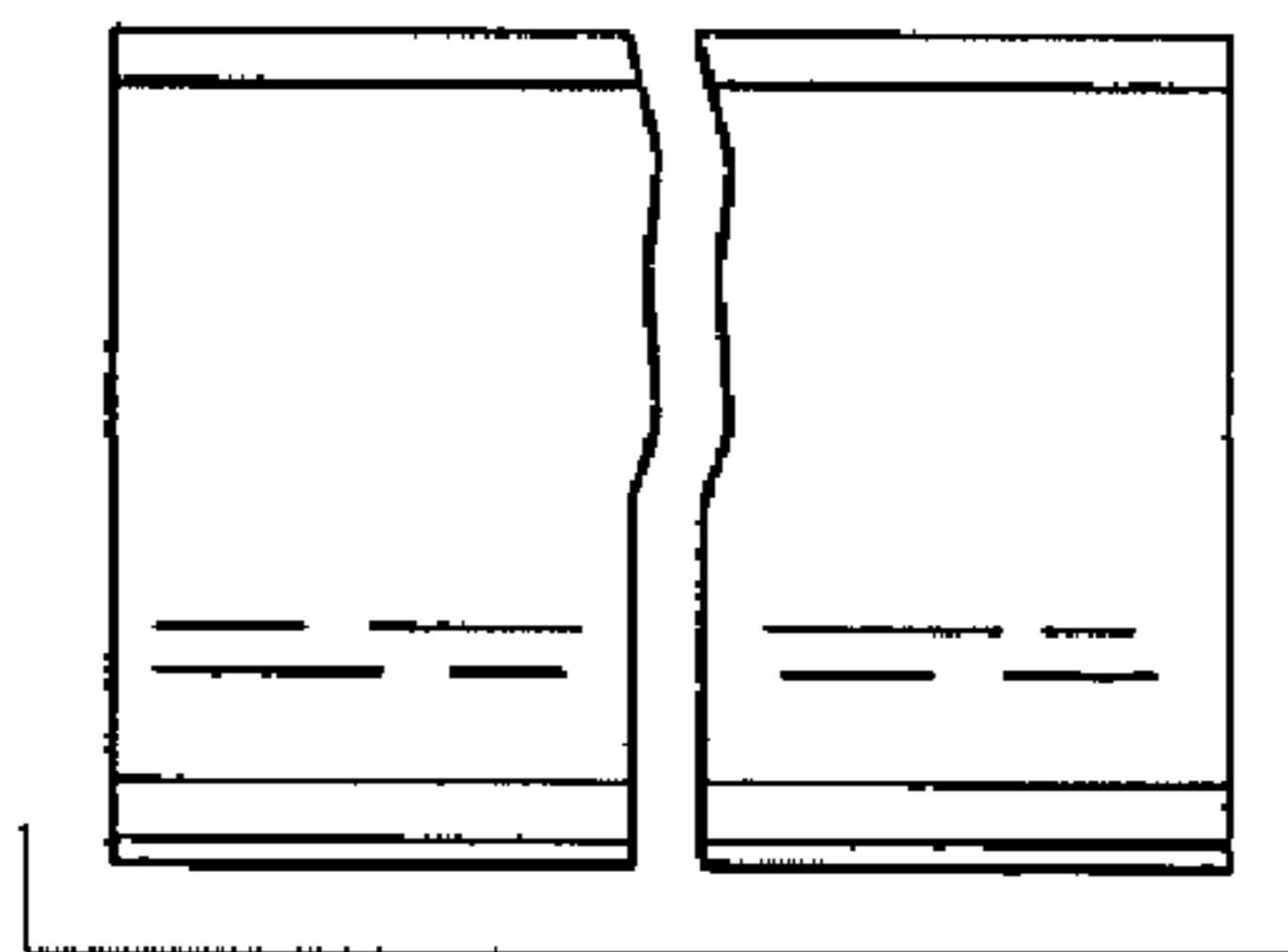


Fig. 4

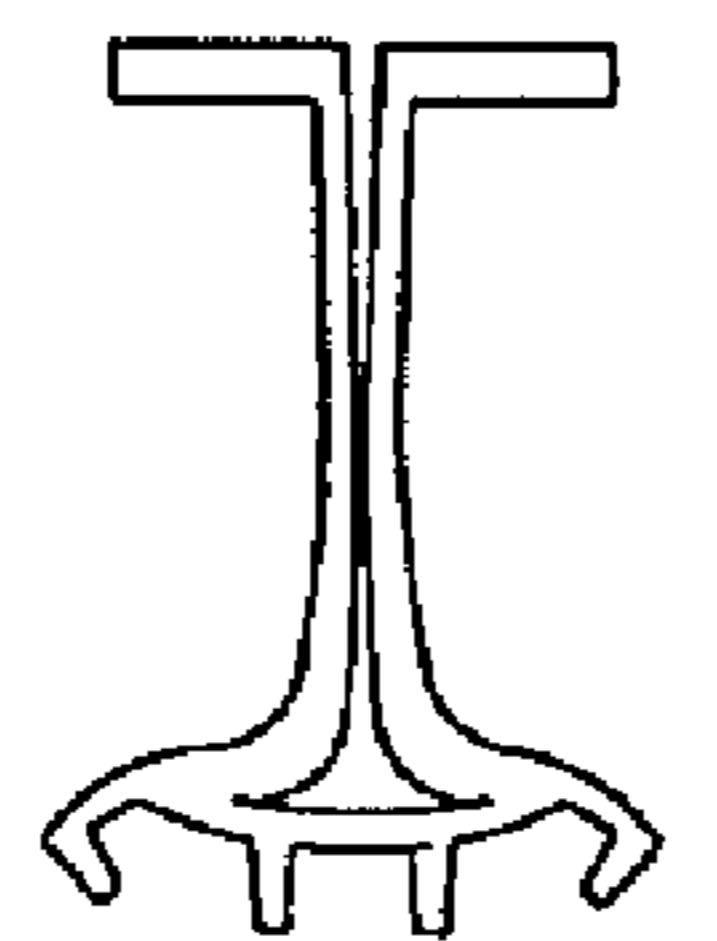


Fig. 5

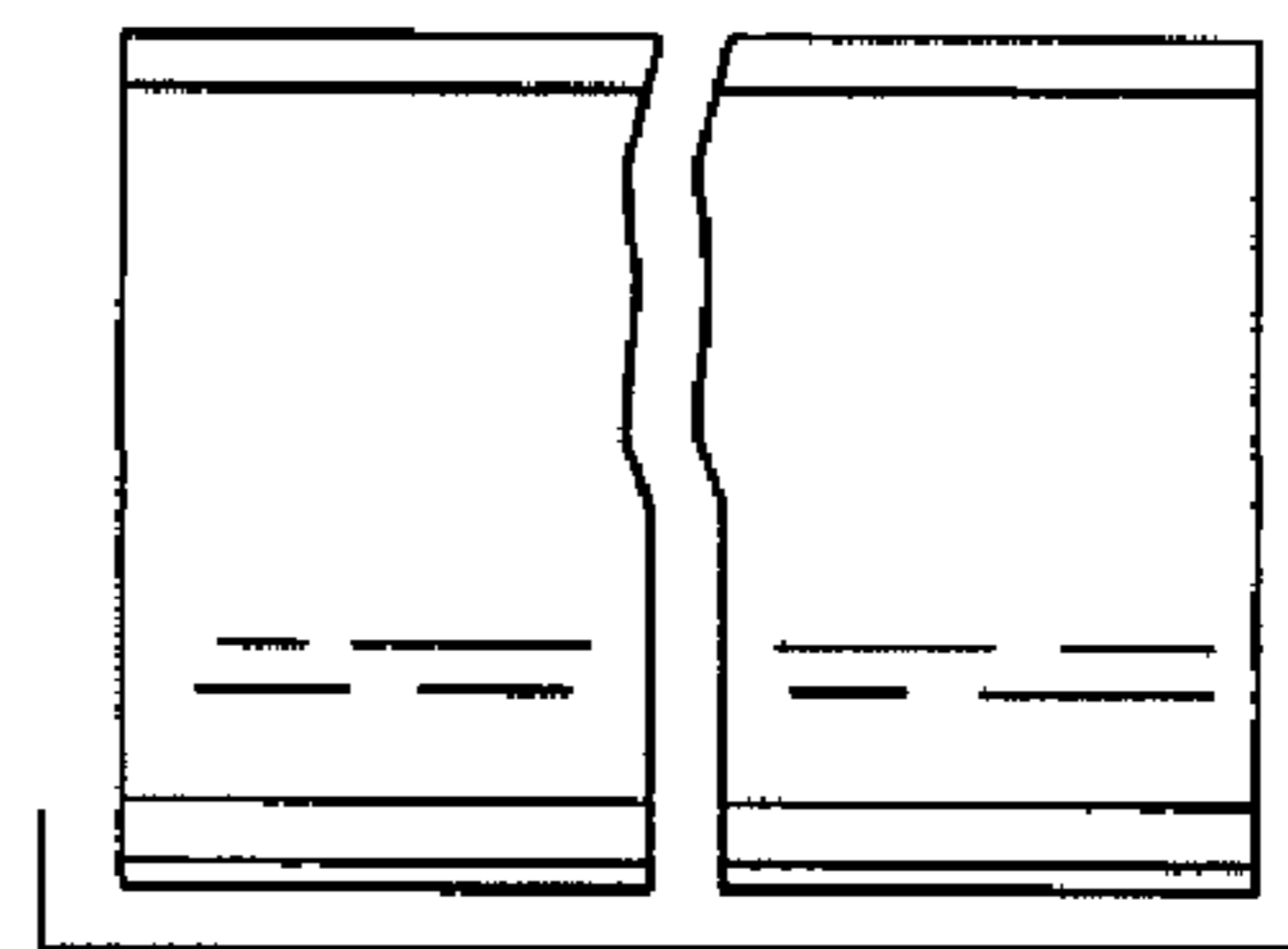


Fig. 6

