



US00D570673S

(12) **United States Design Patent** (10) **Patent No.:** **US D570,673 S**
Geiger et al. (45) **Date of Patent:** **** Jun. 10, 2008**

(54) **CLAMP TIE** 4,688,961 A 8/1987 Shioda et al.

(75) Inventors: **Gerard G. Geiger**, Jackson, WI (US);
Michael E. Puncochar, Hillsboro, OR (US)

(Continued)

(73) Assignee: **HellermannTyton Corporation**,
Milwaukee, WI (US)

FOREIGN PATENT DOCUMENTS

GB 933929 8/1963

(**) Term: **14 Years**

(21) Appl. No.: **29/287,000**

(Continued)

(22) Filed: **May 25, 2007**

(51) **LOC (8) Cl.** **08-08**

(52) **U.S. Cl.** **D8/394; D8/396**

(58) **Field of Classification Search** D8/356,
D8/383, 394-396; 24/16 PB, 17 AB, 30.5 P,
24/30.5 S, 300-302, 339, DIG. 16; 248/58,
248/60, 74.3

See application file for complete search history.

Primary Examiner—Robert M. Spear

Assistant Examiner—John Windmuller

(74) *Attorney, Agent, or Firm*—Ryan Kromholz & Manion,
S.C.

(57) **CLAIM**

The ornamental design for a clamp tie, as shown and described.

(56) **References Cited**

U.S. PATENT DOCUMENTS

1,313,372 A	8/1919	Dodge
1,437,144 A	11/1922	Isaacson
2,193,291 A	3/1940	Marchins
2,945,713 A	7/1960	Sears
3,149,808 A	9/1964	Weckesser
3,250,505 A	5/1966	Rodman, Sr. et al.
3,463,427 A *	8/1969	Fisher 248/68.1
3,486,725 A	12/1969	Hidassy
3,504,937 A	4/1970	Ponovic
3,632,069 A	1/1972	Thayer et al.
3,632,070 A	1/1972	Thayer
3,632,071 A	1/1972	Cameron et al.
3,705,708 A	12/1972	Cunningham
3,913,876 A	10/1975	McSherry
4,037,978 A	7/1977	Connelly
4,128,220 A	12/1978	McNeel
4,141,116 A	2/1979	Zalonis
4,396,329 A	8/1983	Wollar
4,552,481 A	11/1985	Bluett
4,665,588 A	5/1987	Nakano

DESCRIPTION

FIG. 1 is a perspective view of a clamp tie showing our new design;

FIG. 2 is a top plan view thereof;

FIG. 3 is a bottom plan view thereof;

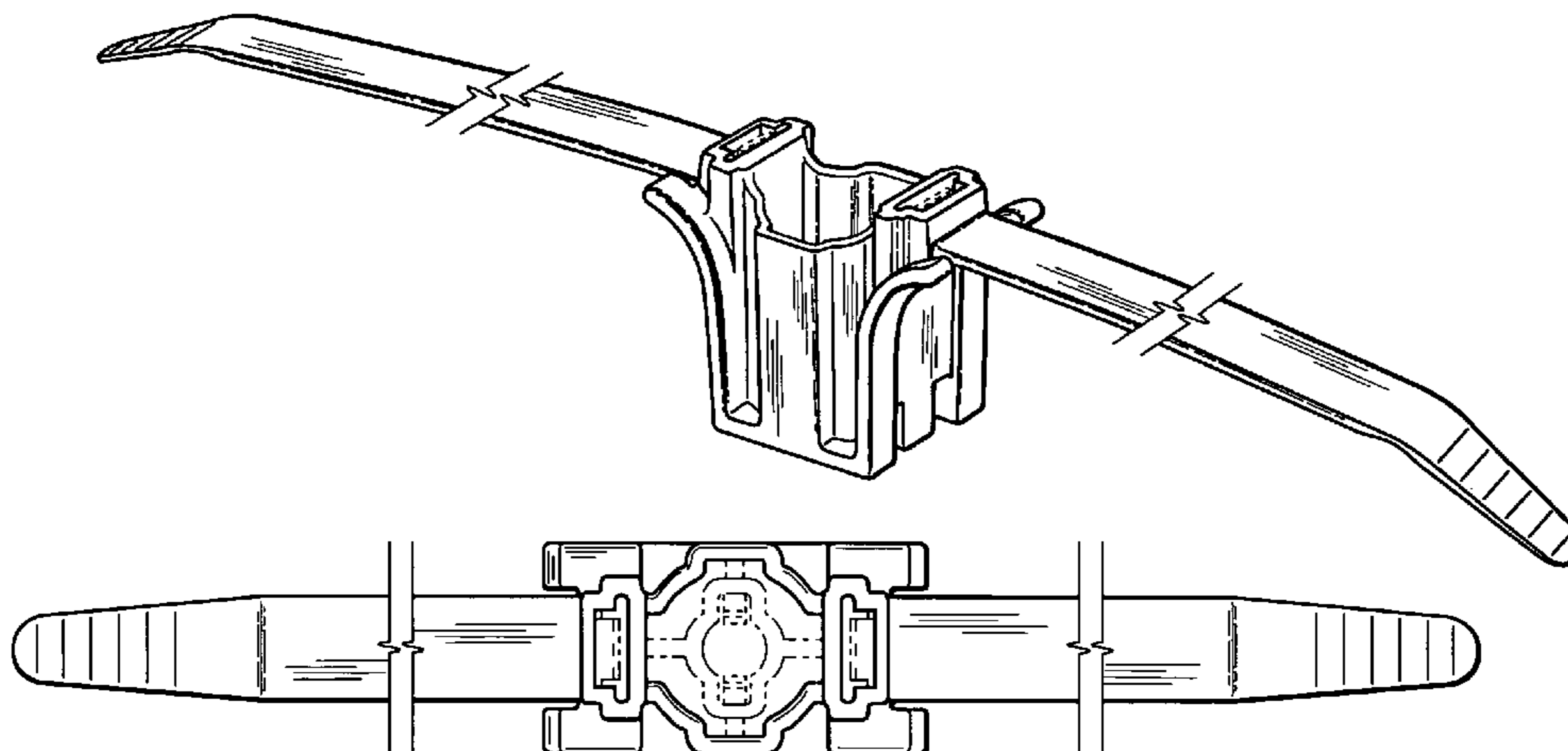
FIG. 4 is a front elevation view thereof, the rear elevation being identical thereto; and,

FIG. 5 is a right side elevation view thereof, the left side elevation being identical thereto.

The break lines shown in FIGS. 1-4 indicate that the straps have no specific length; said break lines form no part of the claimed design.

The broken lines in FIGS. 2 and 3 illustrate environment only and form no part of the claimed design.

1 Claim, 2 Drawing Sheets



US D570,673 S

Page 2

U.S. PATENT DOCUMENTS

4,705,245 A 11/1987 Osada
4,768,741 A 9/1988 Logsdon
4,865,281 A 9/1989 Wollar
4,910,831 A * 3/1990 Bingold 24/16 PB
4,925,136 A 5/1990 Knott
4,936,530 A 6/1990 Wollar
4,955,749 A 9/1990 Panovic
5,088,158 A * 2/1992 Burkholder 24/16 PB
5,224,244 A 7/1993 Ikeda et al.
D347,156 S * 5/1994 Starrett et al. D29/120.2
5,328,290 A 7/1994 Plastina
5,332,179 A 7/1994 Kuffel et al.
5,337,983 A 8/1994 Mailey
5,386,615 A 2/1995 Bernard
5,398,383 A * 3/1995 Bingold 24/16 PB
5,538,208 A 7/1996 Cordes et al.
5,636,937 A 6/1997 Zemlicka
5,653,409 A 8/1997 White, Jr. et al.
5,730,399 A 3/1998 Baginski
5,820,048 A 10/1998 Shereyk et al.
5,820,083 A 10/1998 Geiger
5,862,927 A 1/1999 Tebeau

5,884,367 A 3/1999 Teagno et al.
5,966,781 A 10/1999 Geiger
D417,838 S * 12/1999 Kim D8/396
6,151,761 A * 11/2000 Thompson 24/16 PB
6,196,033 B1 * 3/2001 Dowdle 70/16
6,196,751 B1 3/2001 Khokhar
6,240,602 B1 6/2001 Geiger
6,364,257 B1 * 4/2002 Holder 248/74.3
6,398,169 B1 6/2002 Streit
6,532,631 B2 * 3/2003 Rohaly et al. 24/16 PB
6,533,226 B2 3/2003 Geiger
6,536,718 B2 3/2003 Benito-Navazo
6,718,597 B2 4/2004 Geiger
7,055,783 B2 6/2006 Rosemann et al.
7,131,168 B2 * 11/2006 Pangallo 24/16 PB
D543,835 S 6/2007 Geiger
2002/0109050 A1 8/2002 Winton, III
2003/0189140 A1 10/2003 Takeuchi

FOREIGN PATENT DOCUMENTS

GB 2129863 5/1984

* cited by examiner

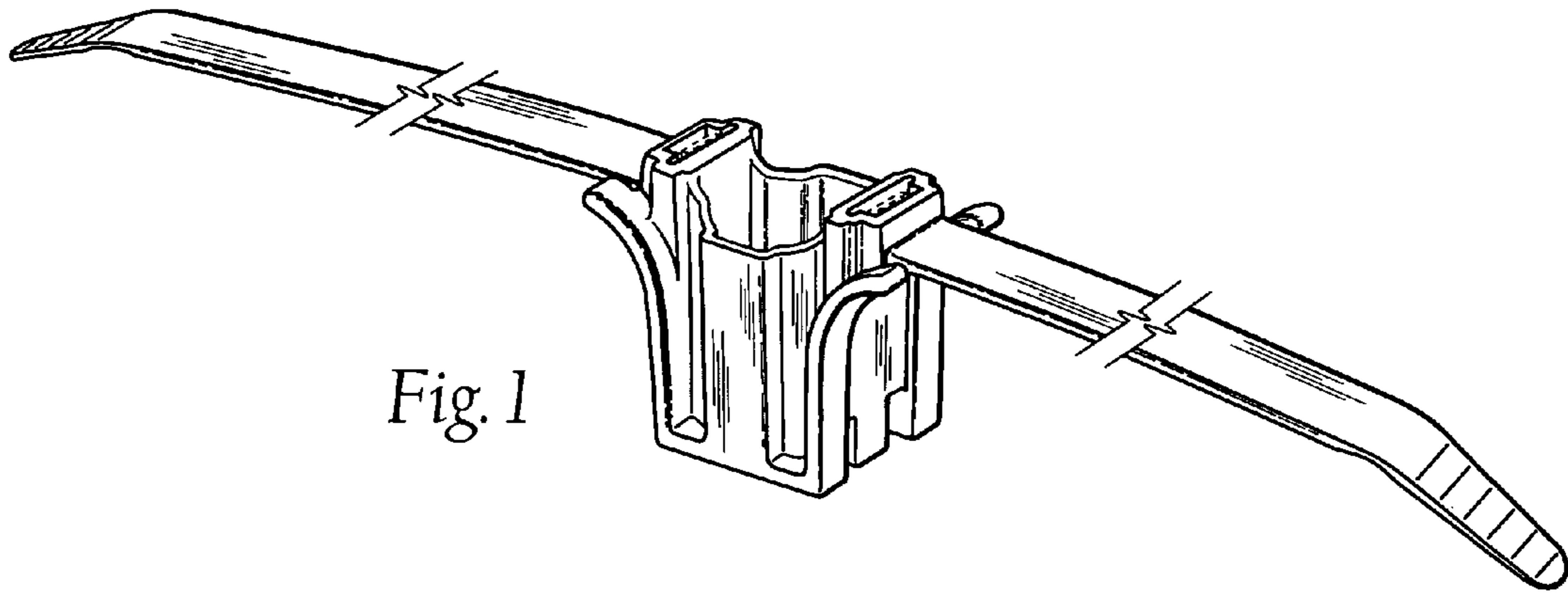


Fig. 1

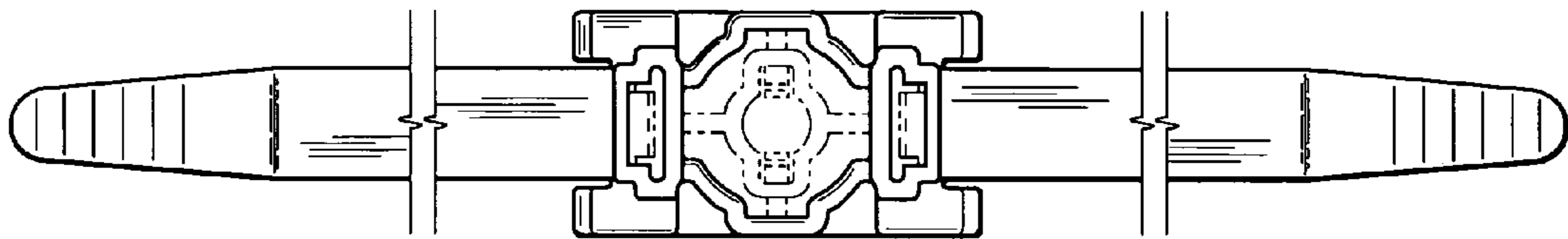


Fig. 2

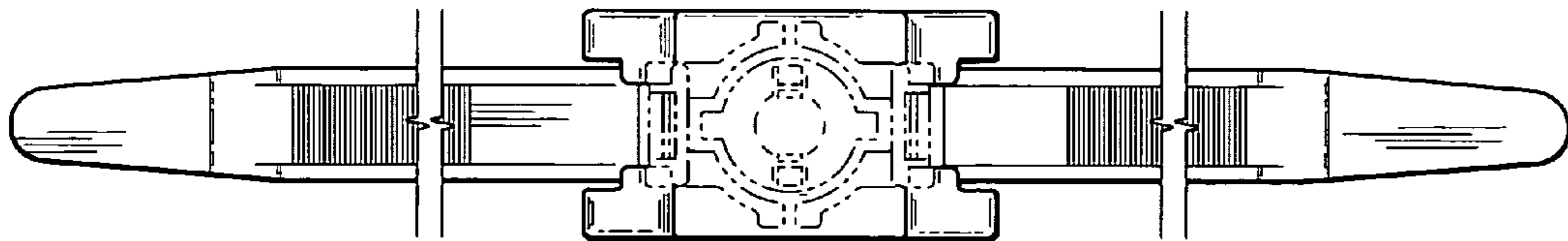


Fig. 3

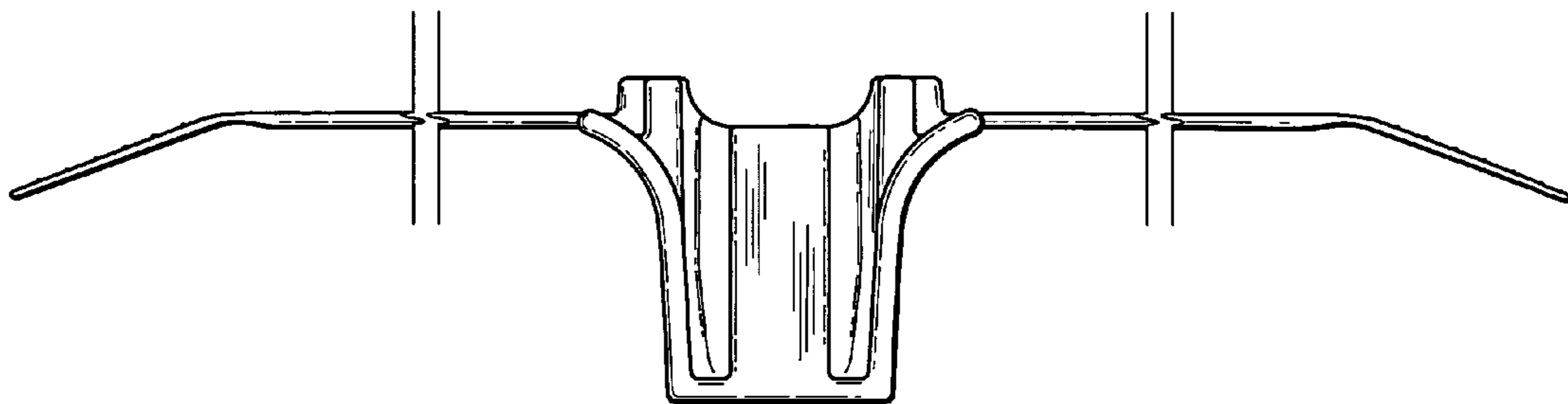


Fig. 4

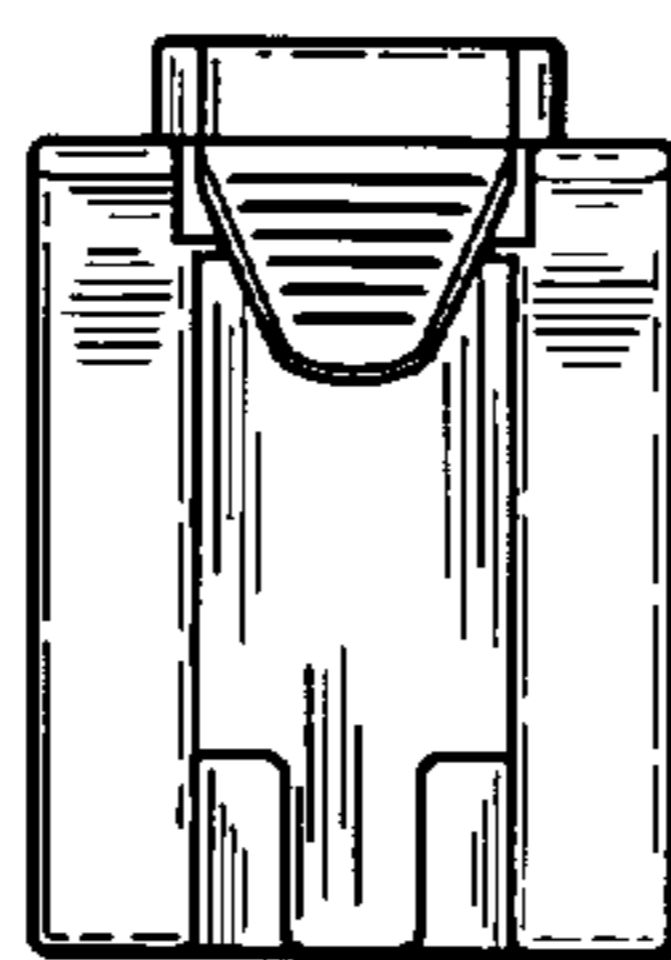


Fig. 5