



US00D570671S

(12) **United States Design Patent**
Hikai et al.

(10) **Patent No.:** **US D570,671 S**
(45) **Date of Patent:** **** Jun. 10, 2008**

(54) **METAL FASTENING MEMBER**

(75) Inventors: **Satoshi Hikai**, Nagoya (JP); **Tsuneaki Ito**, Kuwana (JP)

(73) Assignee: **Nichiha Co., Ltd.**, Nagoya-shi (JP)

(**) Term: **14 Years**

(21) Appl. No.: **29/262,702**

(22) Filed: **Jul. 10, 2006**

(51) **LOC (8) Cl.** **08-08**

(52) **U.S. Cl.** **D8/382**

(58) **Field of Classification Search** D8/382,
D8/354; 403/230, 232.1, 403, 231; 52/702,
52/715, 713; 248/300

See application file for complete search history.

(56) **References Cited**

U.S. PATENT DOCUMENTS

D285,047 S *	8/1986	Dean et al.	D8/382
D291,315 S *	8/1987	Belford et al.	D8/373
D323,105 S *	1/1992	Paul	D8/382
D374,579 S *	10/1996	Nilsson	D6/495
D374,605 S *	10/1996	Chase	D8/382
D381,572 S *	7/1997	Allen	D8/382
D424,915 S *	5/2000	Takase et al.	D8/382
D438,448 S *	3/2001	Batting et al.	D8/354
6,315,489 B1 *	11/2001	Watanabe	403/381
D461,709 S *	8/2002	Gallmeyer	D8/389
6,550,200 B1 *	4/2003	Mueller	52/296
2002/0174621 A1 *	11/2002	Melland	52/712

FOREIGN PATENT DOCUMENTS

JP	2000-291225	10/2000
JP	D1127426	11/2001
JP	D1146146	7/2002
JP	2002-220910	8/2002
JP	2002-371689	12/2002
JP	2005-133504	5/2005
JP	2006-037567	2/2006

* cited by examiner

Primary Examiner—Holly H. Baynham

Assistant Examiner—Sheryl Friedman

(74) *Attorney, Agent, or Firm*—Edwards Angell Palmer & Dodge LLP

(57) **CLAIM**

The ornamental design for a metal fastening member, as shown and described.

DESCRIPTION

FIG. 1 is a front view of the metal fastening member;

FIG. 2 is a back view thereof;

FIG. 3 is a top view thereof;

FIG. 4 is a bottom view thereof;

FIG. 5 is an enlarged right side view thereof;

FIG. 6 is an enlarged left side view thereof;

FIG. 7 is a perspective view thereof;

FIG. 8 is an enlarged partial view of FIG. 1;

FIG. 9 is an enlarged partial view of FIG. 1; and,

FIG. 10 is an enlarged partial view of FIG. 1.

1 Claim, 10 Drawing Sheets

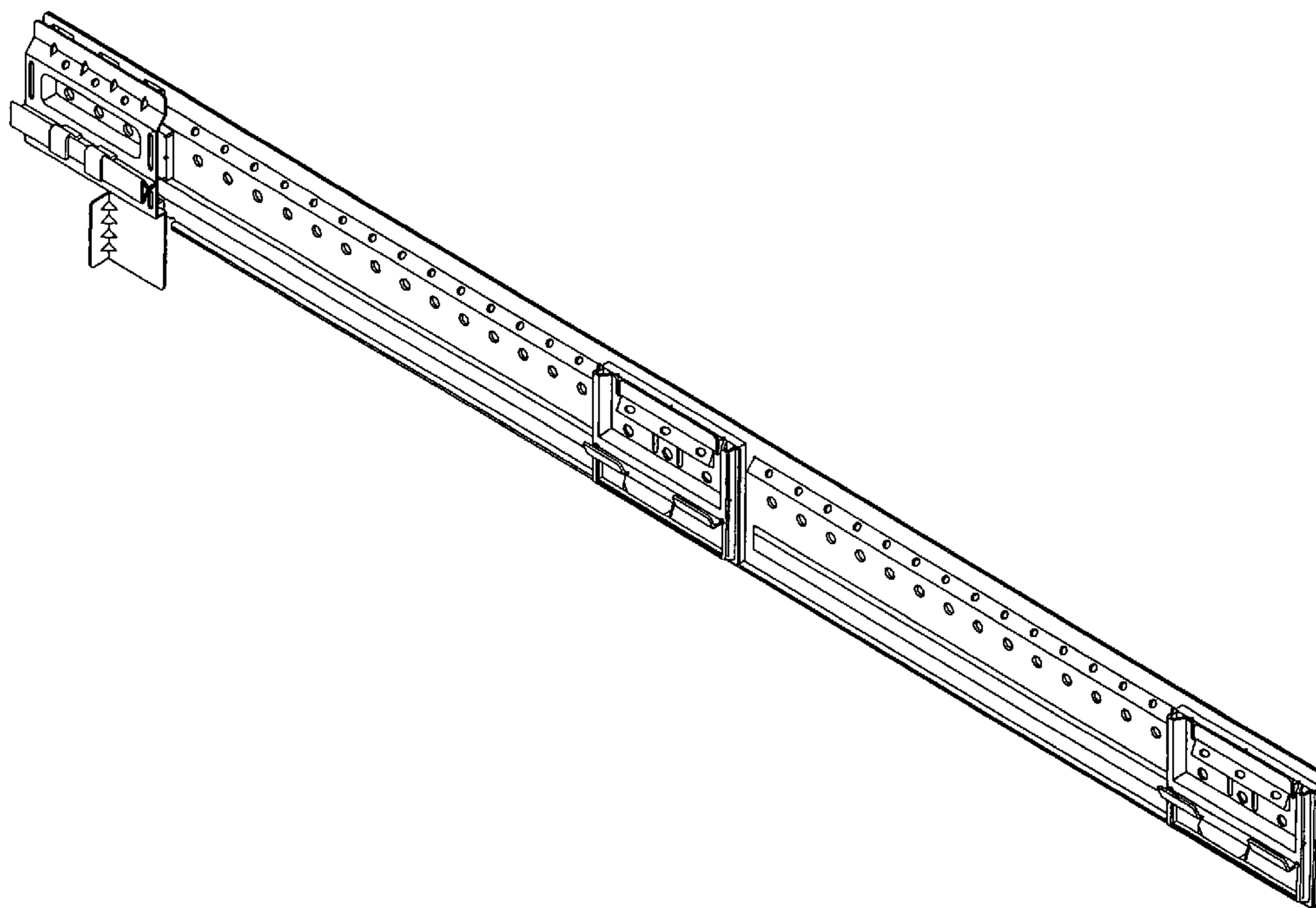


Fig. 1

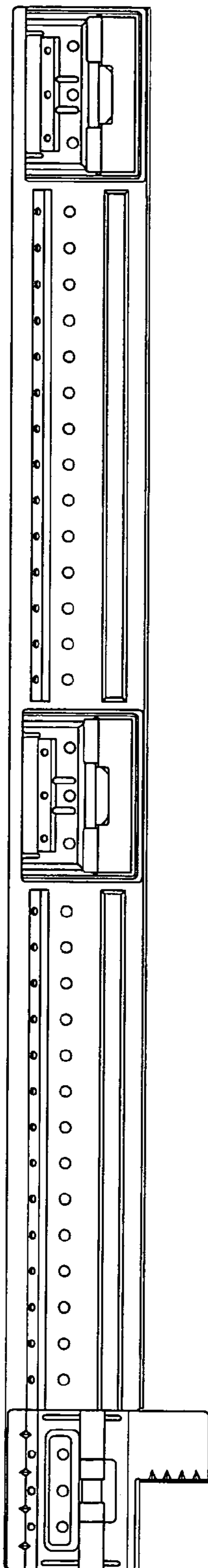


Fig. 2

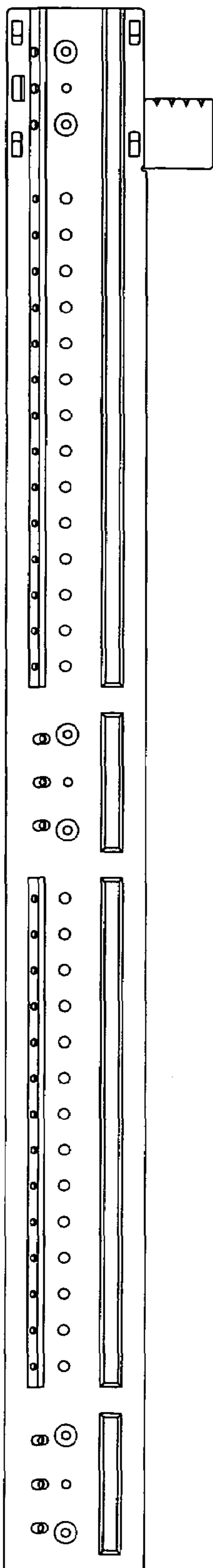
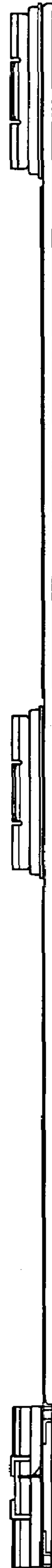


Fig. 3



Fig. 4



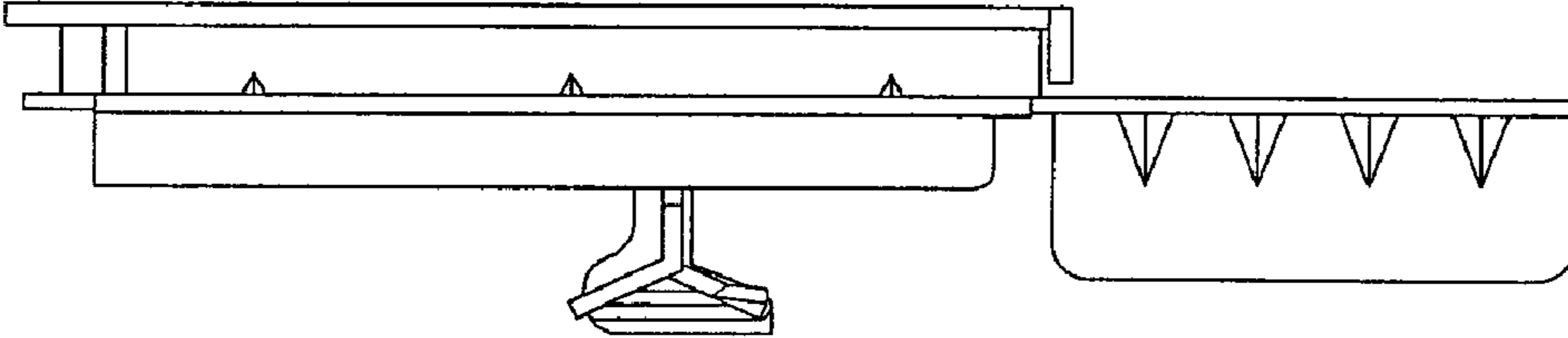


Fig. 5

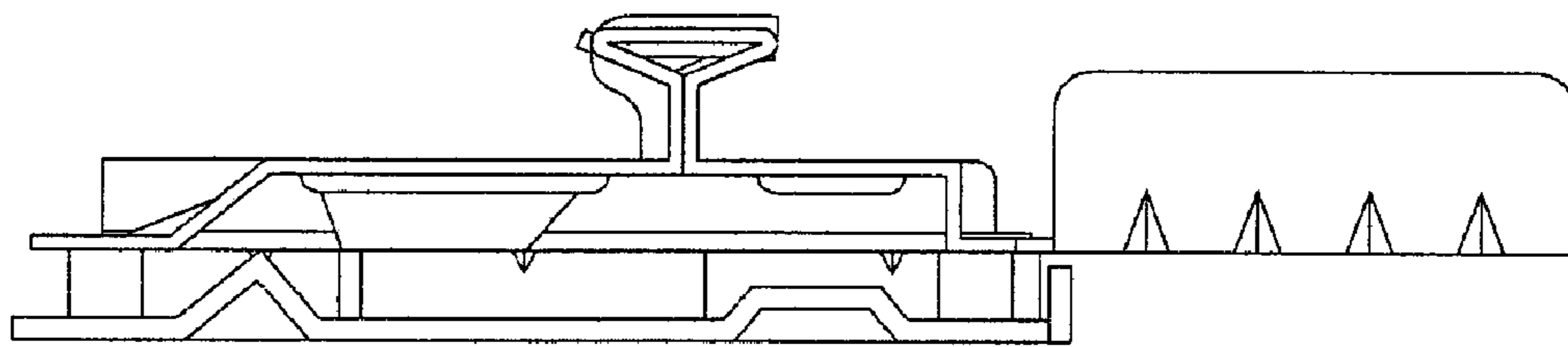
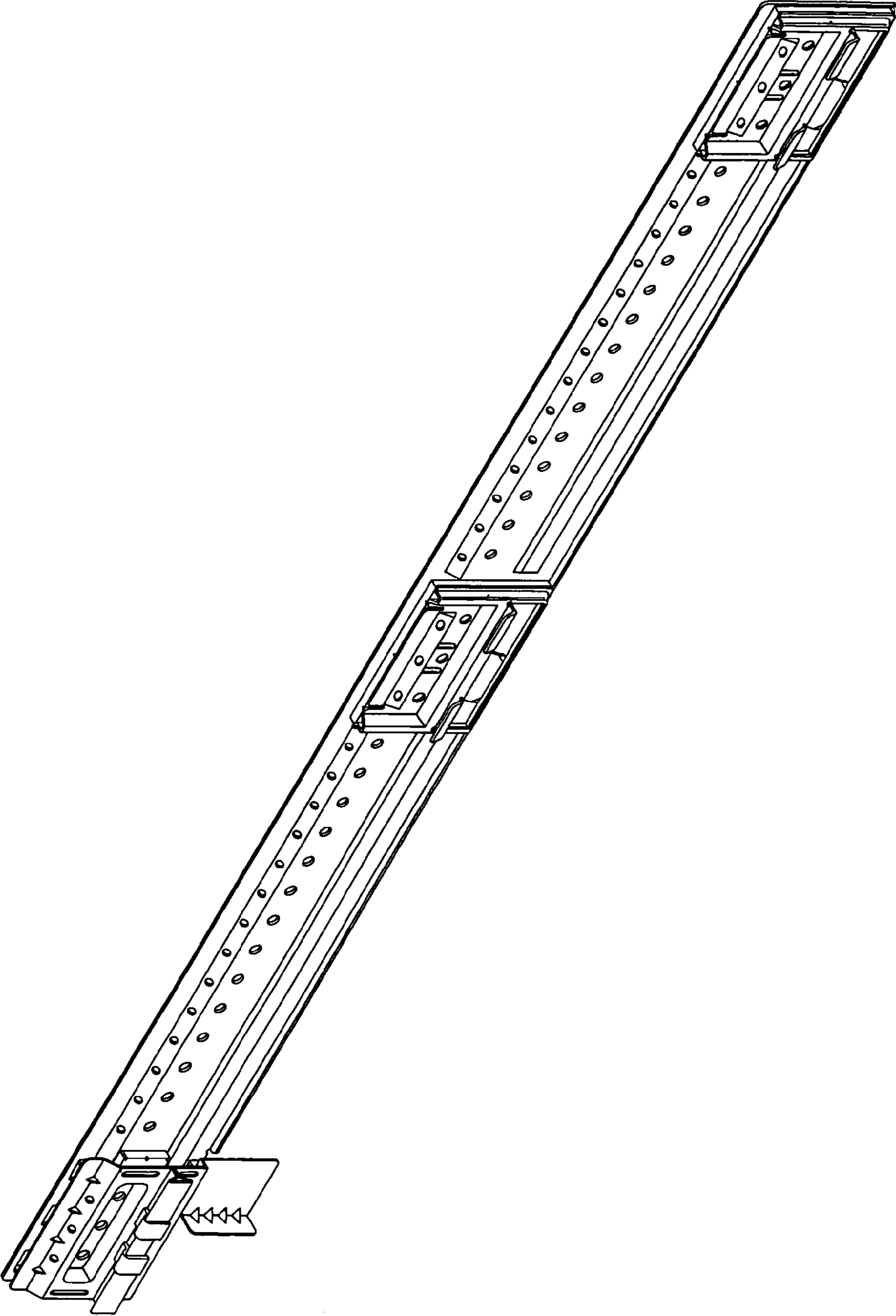


Fig. 6

Fig. 7



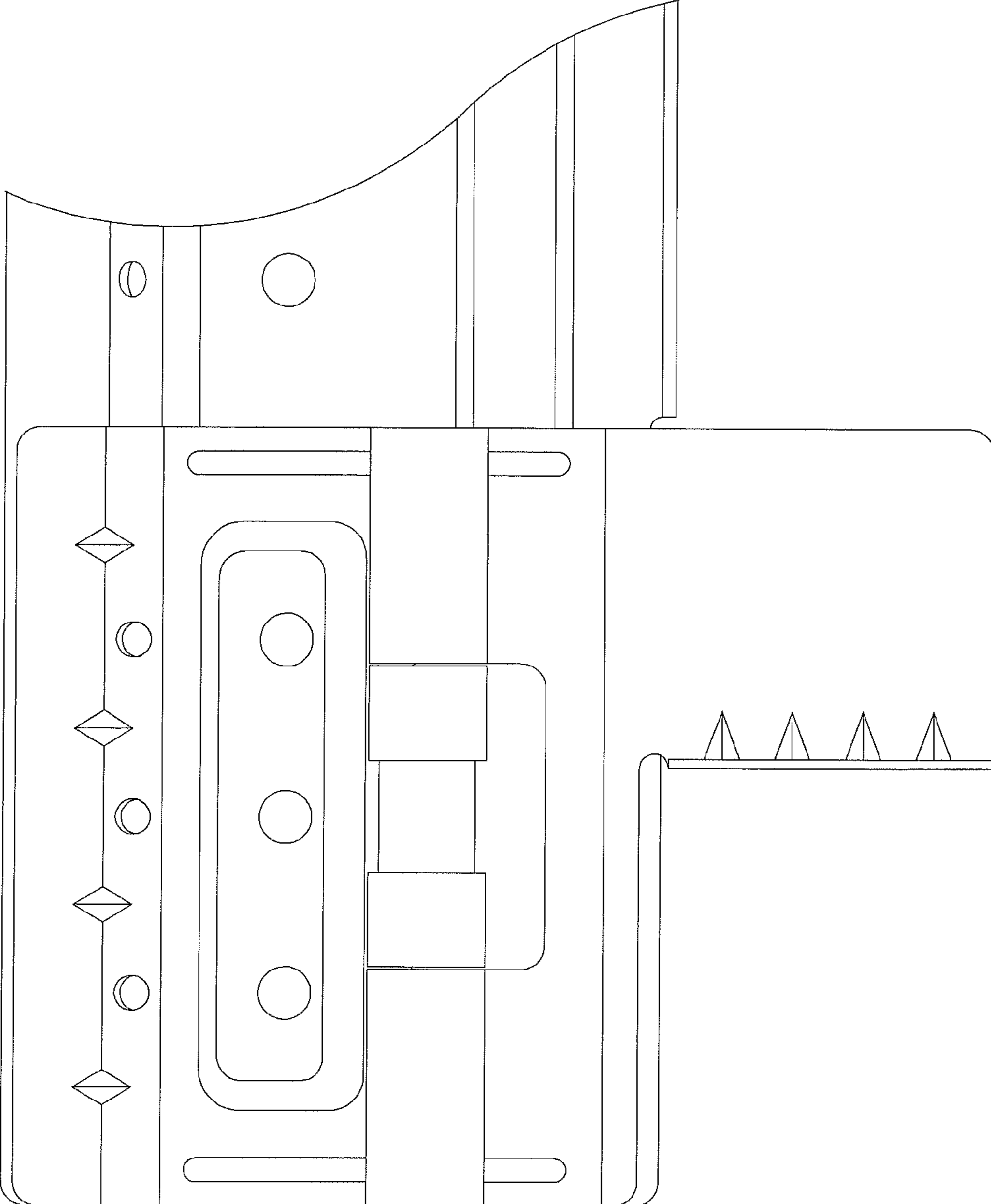


Fig. 8

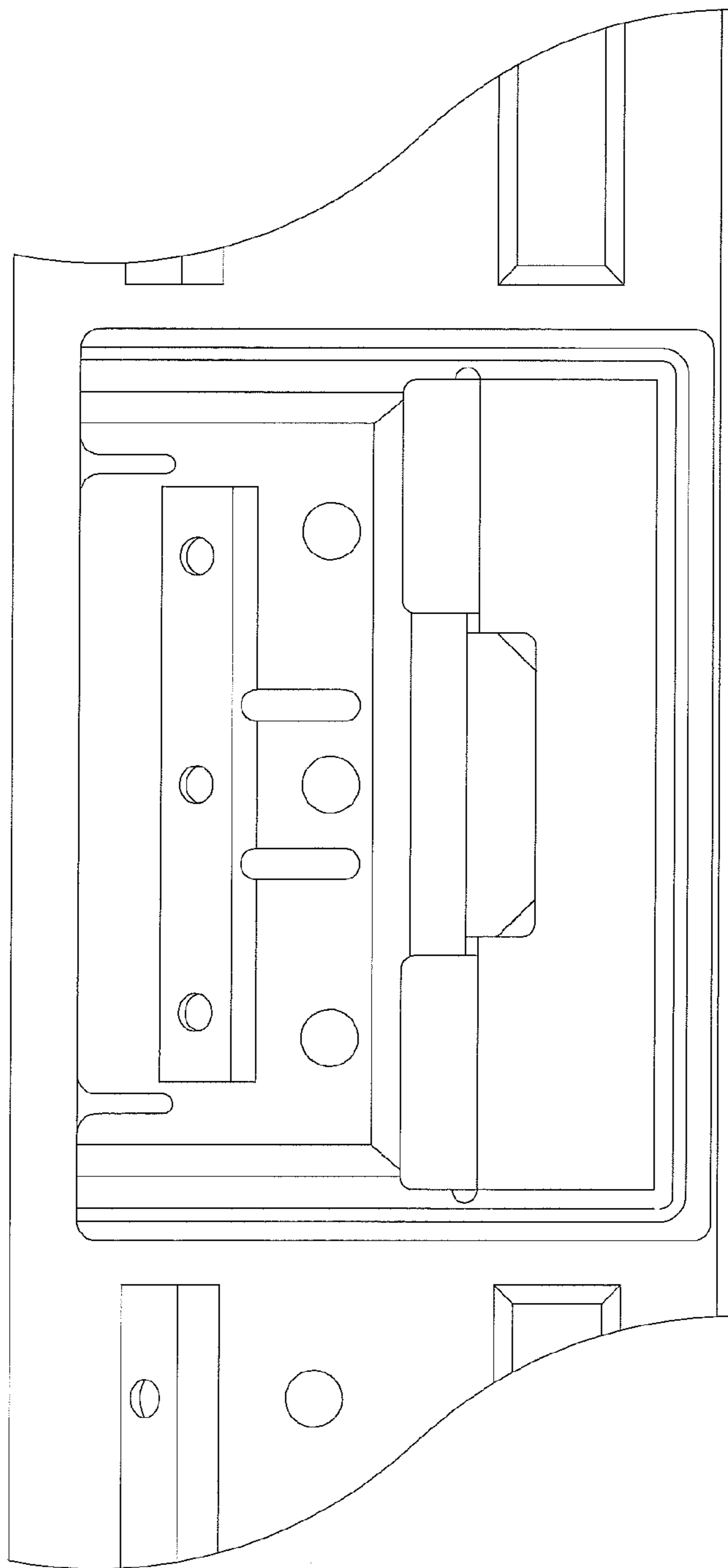


Fig. 9

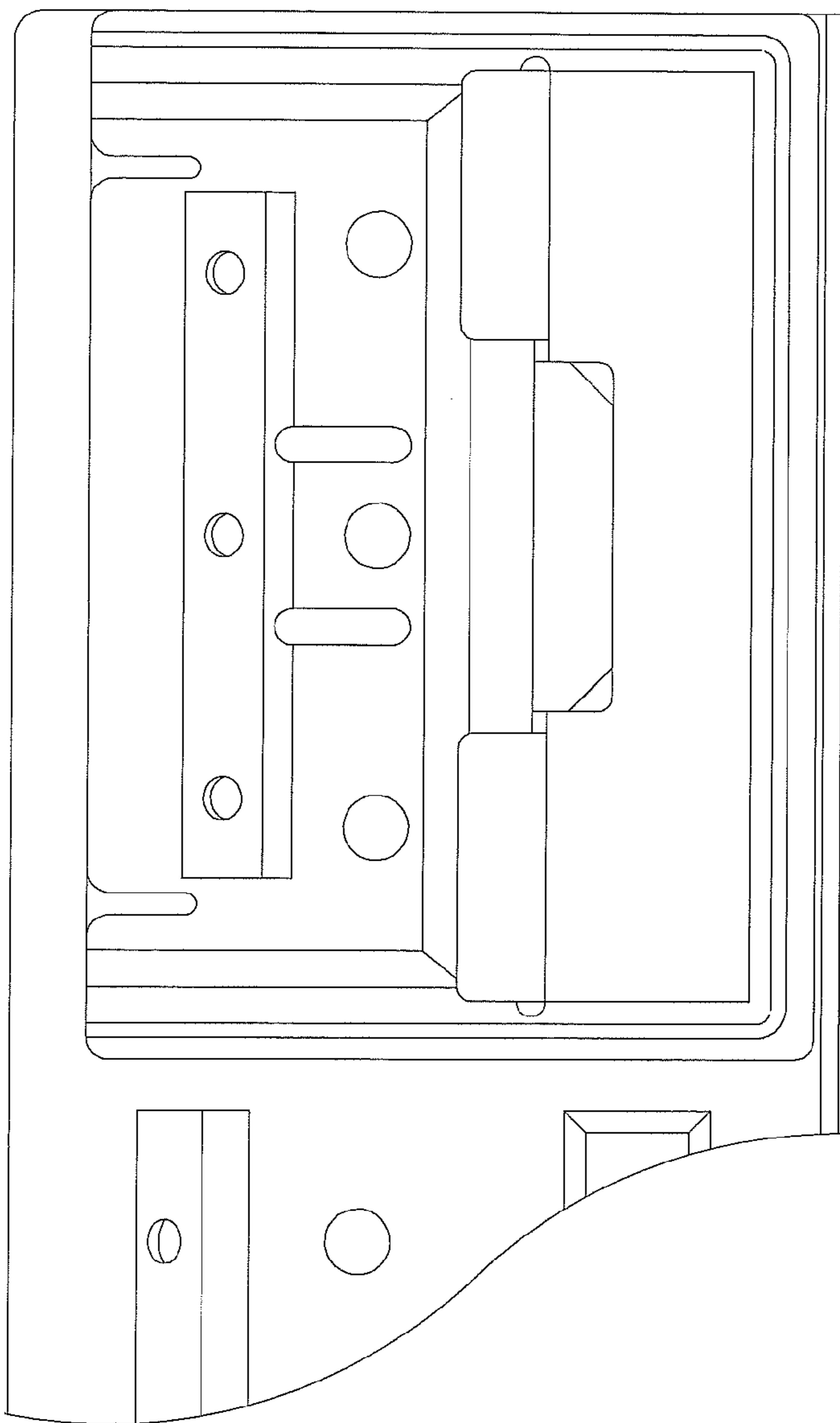


Fig. 10