

US00D570670S

(12) **United States Design Patent**
Clemens

(10) **Patent No.:** **US D570,670 S**
(45) **Date of Patent:** **** Jun. 10, 2008**

(54) **RESTROOM STALL DOOR DEVICE**

5,984,386 A 11/1999 Clemens
D499,958 S * 12/2004 Crane D8/402
D548,044 S * 8/2007 Tang D8/343
D556,563 S * 12/2007 Ravinsky D8/402

(76) Inventor: **Sharon Clemens**, 9902 Silver Strand
Dr., Huntington Beach, CA (US) 92646

(**) Term: **14 Years**

* cited by examiner

(21) Appl. No.: **29/260,553**

Primary Examiner—Prabhakar Deshmukh
(74) *Attorney, Agent, or Firm*—Kenneth L. Green; Edgar W.
Averill, Jr.

(22) Filed: **May 25, 2006**

(51) **LOC (8) Cl.** **08-07**

(57) **CLAIM**

(52) **U.S. Cl.** **D8/343; D8/330**

(58) **Field of Classification Search** D8/330,
D8/331, 343, 346, 333, 349, 402; 292/288,
292/297, 298, 289, 290, DIG. 21; 49/394;
52/463; D23/270, 303

The ornamental design for restroom stall door device, as
shown and described.

See application file for complete search history.

DESCRIPTION

(56) **References Cited**

FIG. 1 is a perspective view showing the top and right side
of the restroom stall door holding device showing my
design.

U.S. PATENT DOCUMENTS

FIG. 2 is a right side view thereof.

1,853,595	A *	4/1932	Asbury	16/344
2,441,600	A *	5/1948	Schmitzer	16/327
3,054,632	A *	9/1962	Welch	292/288
3,620,483	A *	11/1971	Weinberger	292/262
4,372,592	A *	2/1983	Beese	292/288
5,205,016	A *	4/1993	Kulot et al.	16/82
5,291,760	A *	3/1994	Schrader	70/14
D398,833	S *	9/1998	Hammar	D8/349

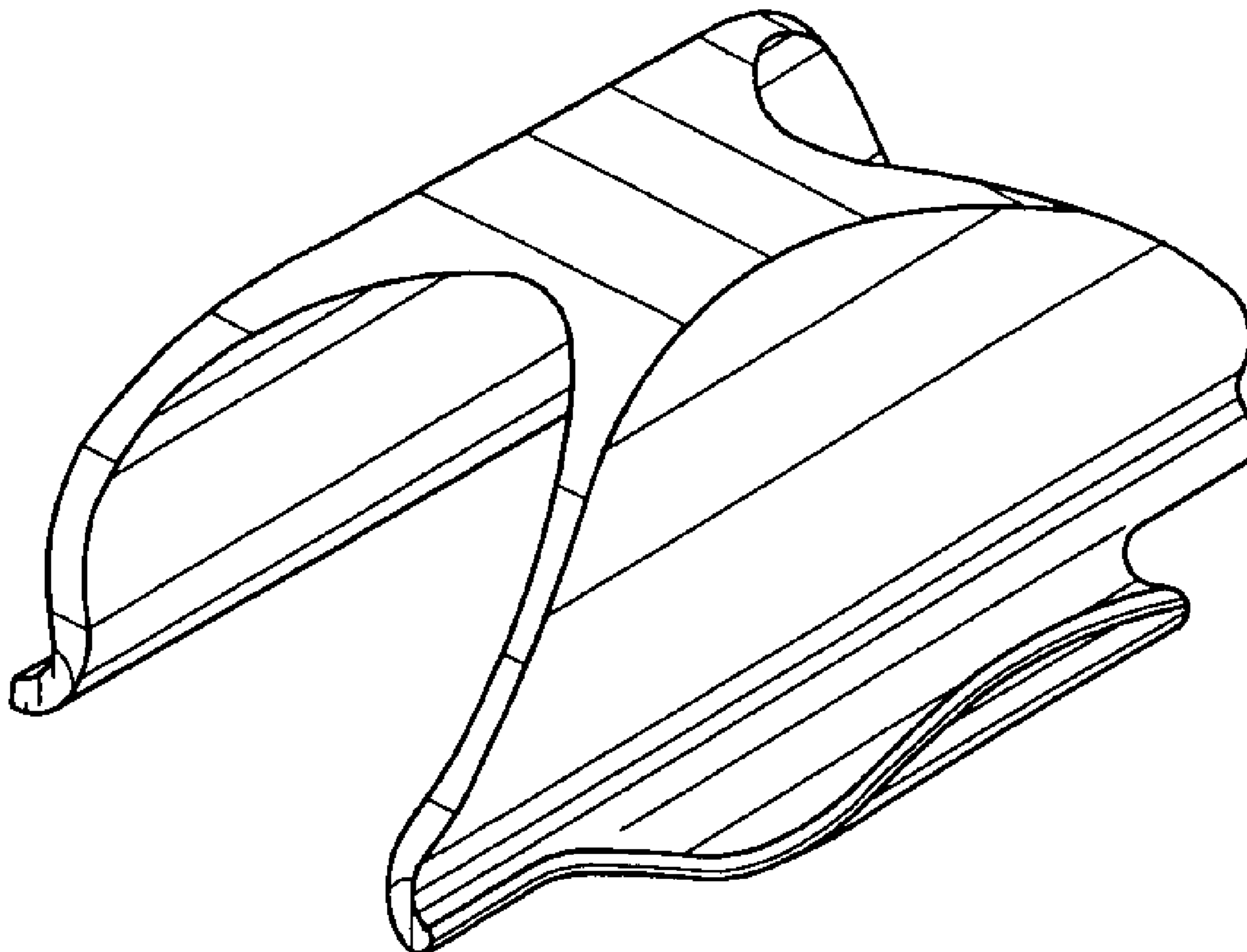
FIG. 3 is a front view thereof.

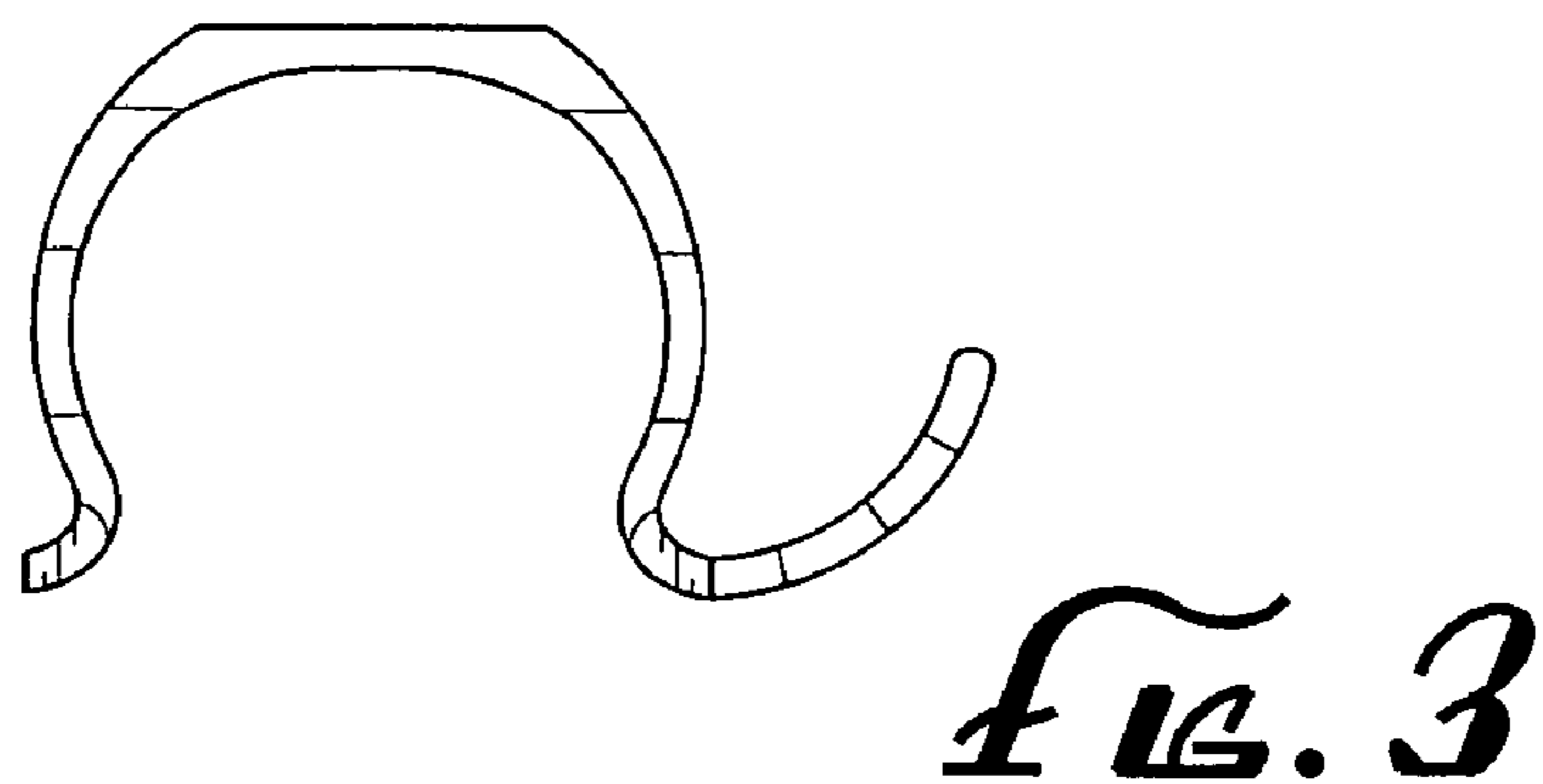
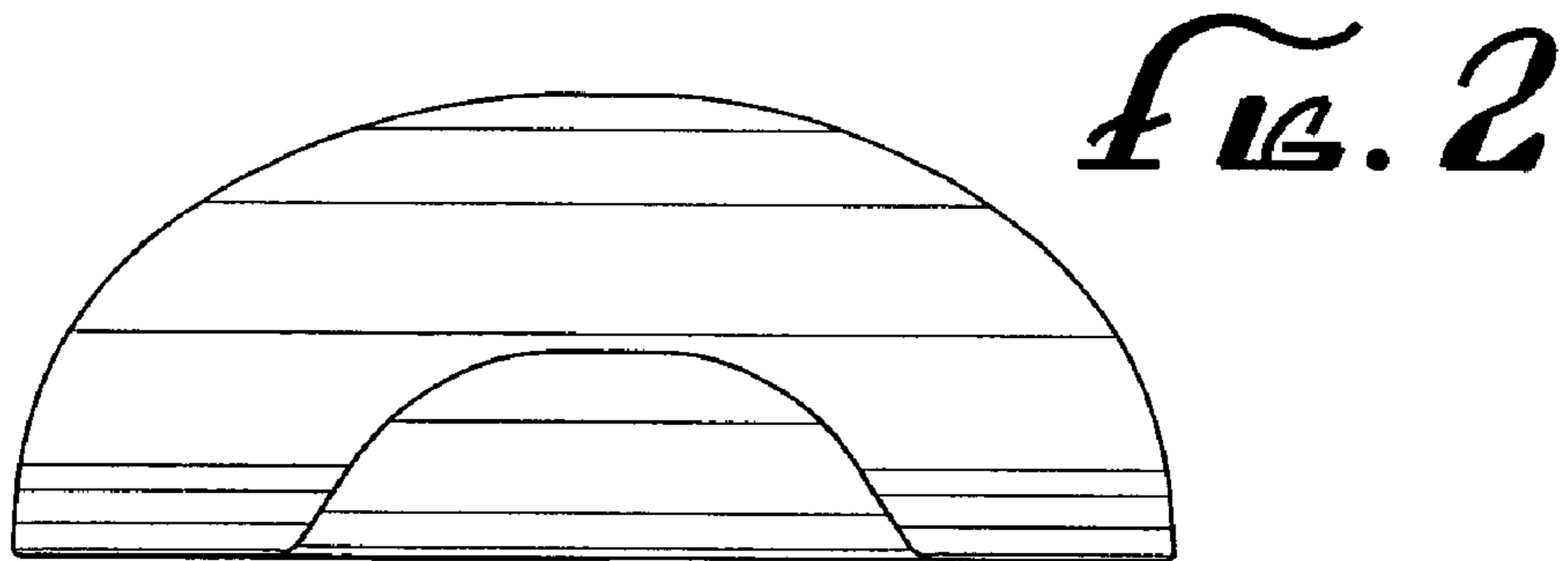
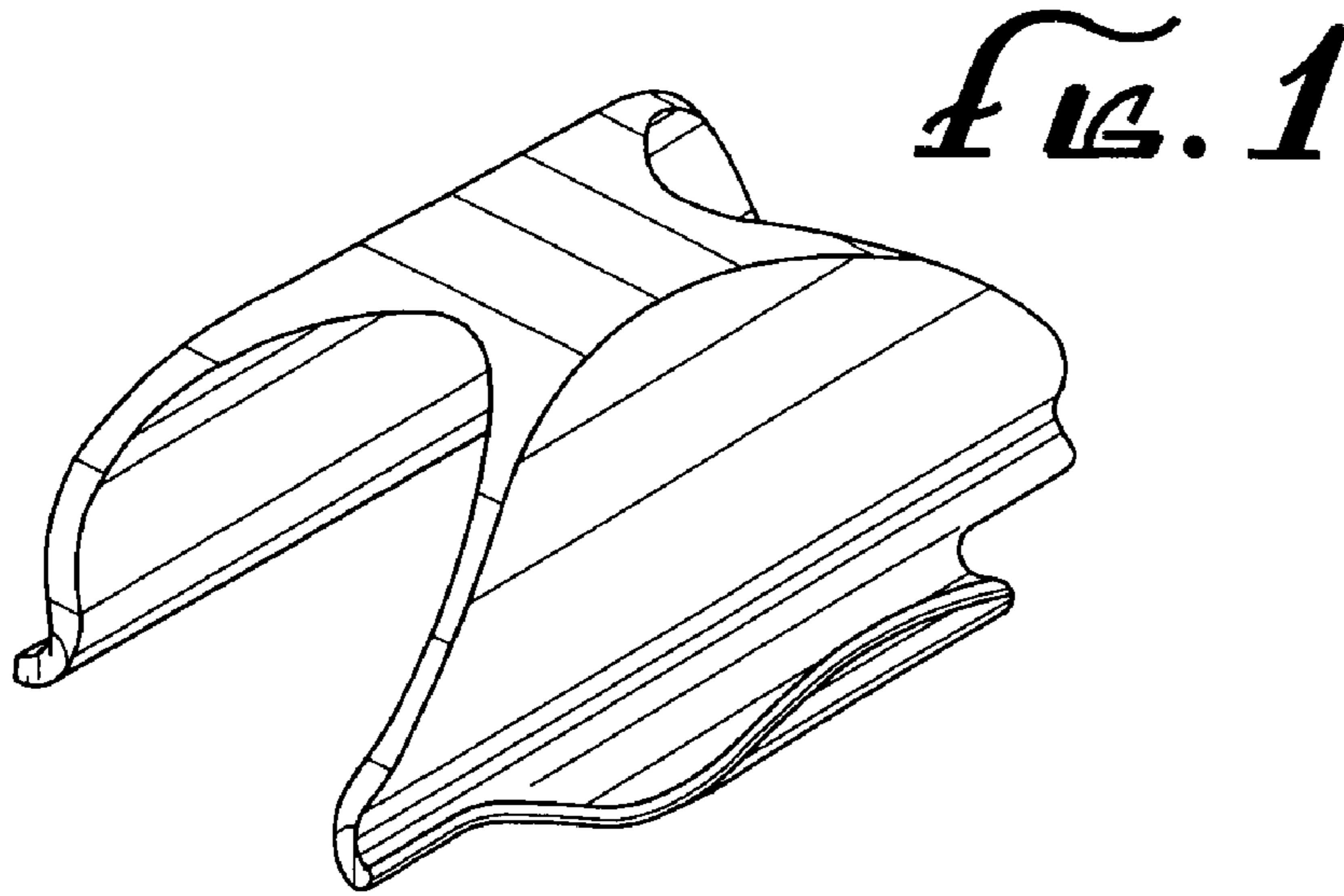
FIG. 4 is a top view thereof.

FIG. 5 is a left side view thereof; and,

FIG. 6 is a bottom view thereof.

1 Claim, 2 Drawing Sheets





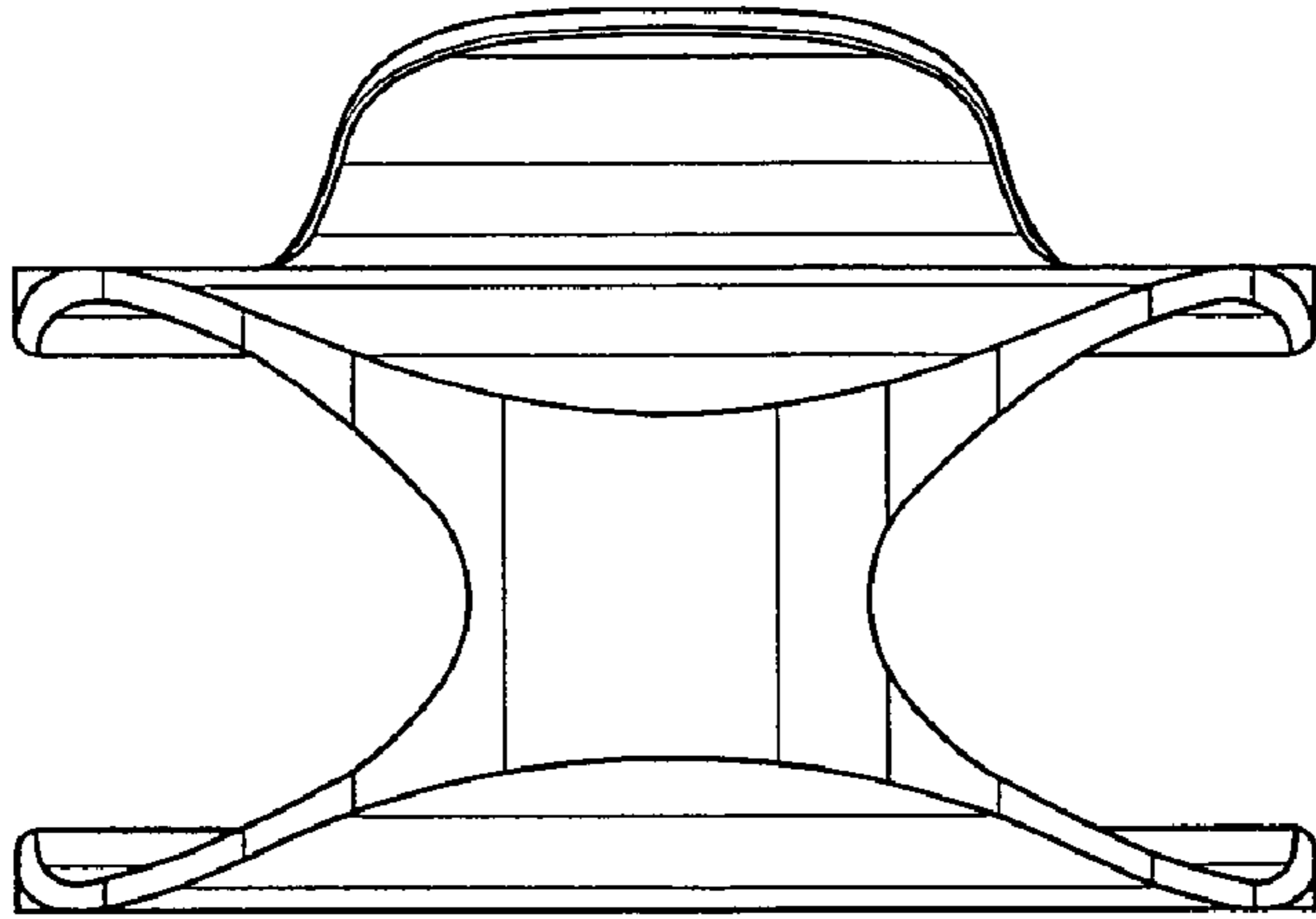


FIG. 4

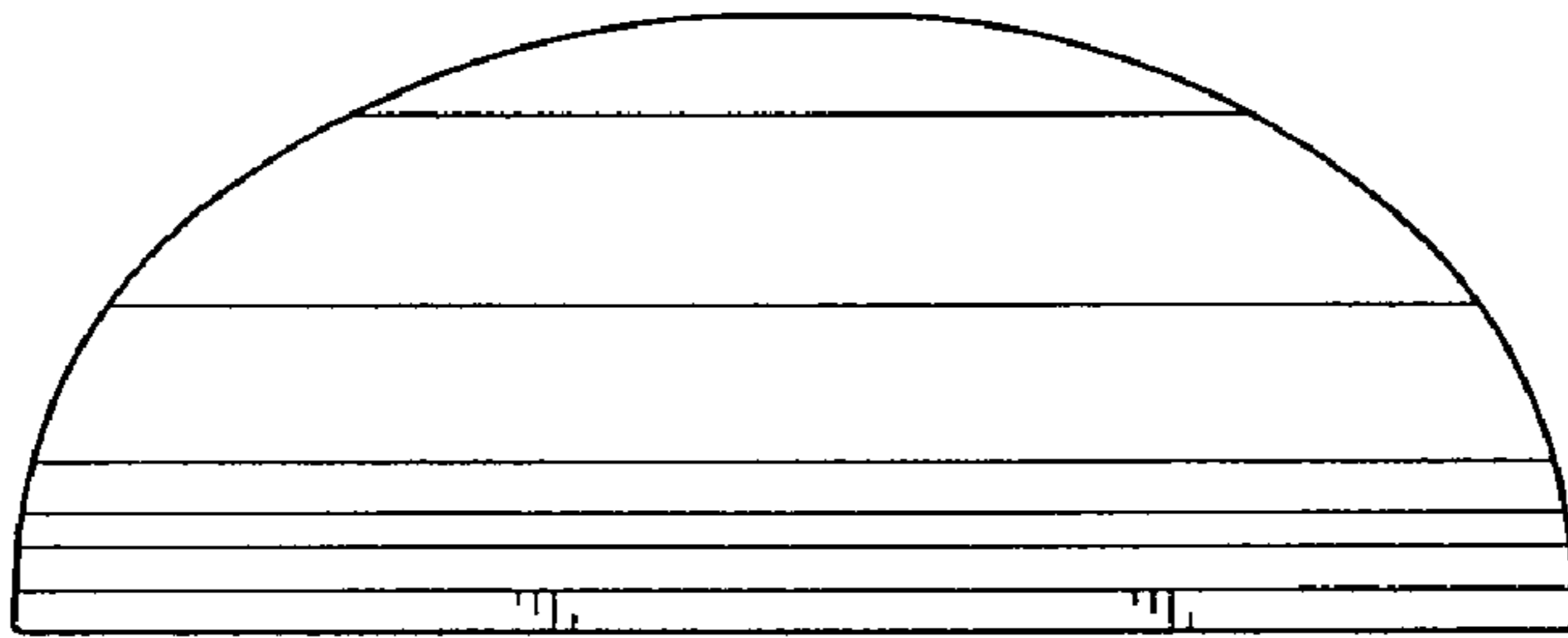


FIG. 5

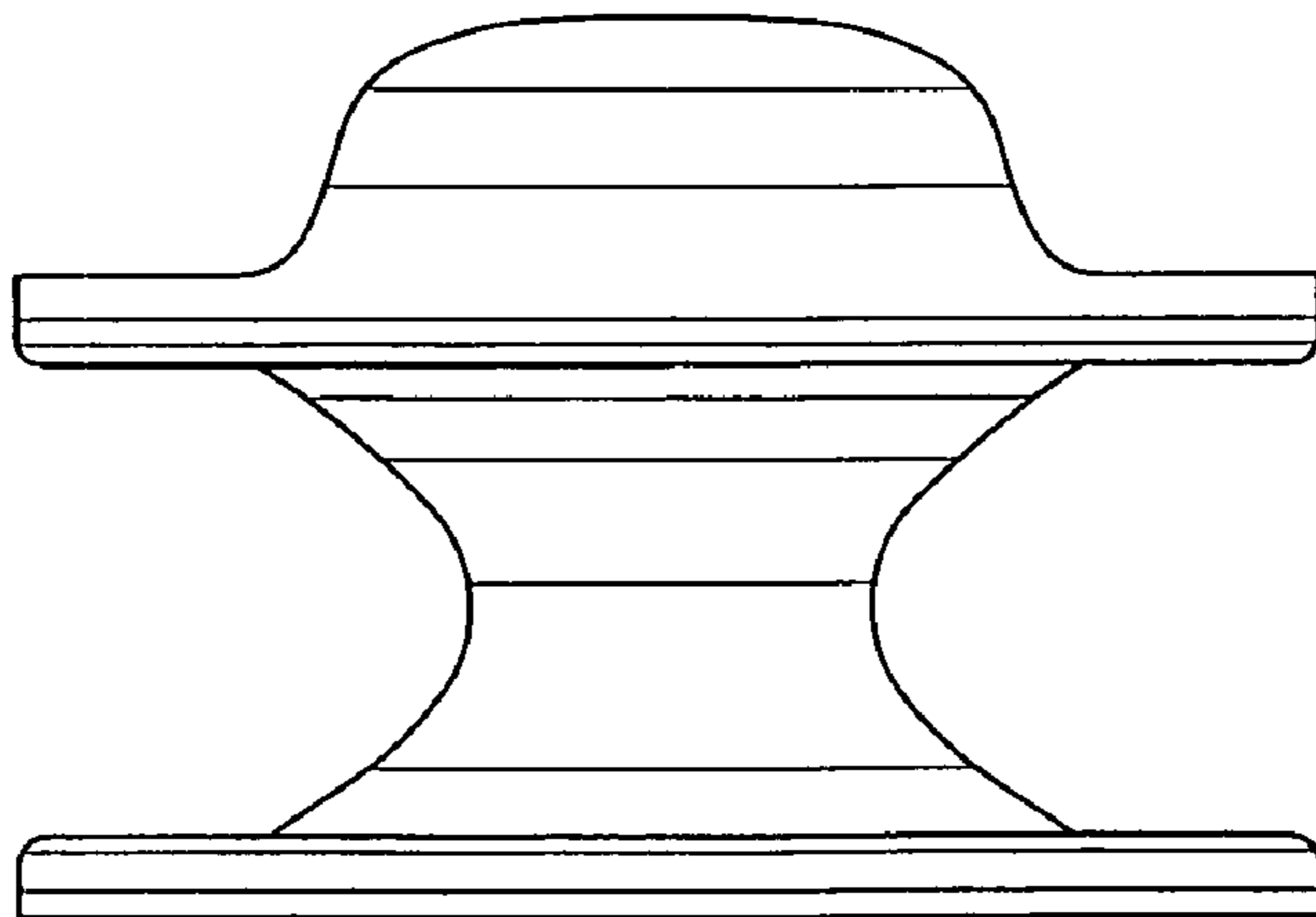


FIG. 6