

US00D570669S

(12) **United States Design Patent**
Le et al.

(10) **Patent No.:** **US D570,669 S**
(45) **Date of Patent:** **** Jun. 10, 2008**

(54) **TRIGGER LATCH**

(75) Inventors: **Tam Thanh Le**, El Monte, CA (US);
Larry Mirick, El Monte, CA (US)

(73) Assignee: **S.P.E.P. Acquisition Corp.**, Rancho Dominguez, CA (US)

(**) Term: **14 Years**

(21) Appl. No.: **29/281,446**

(22) Filed: **Jun. 22, 2007**

(51) **LOC (8) Cl.** **08-07**

(52) **U.S. Cl.** **D8/331**

(58) **Field of Classification Search** D8/301,
D8/302, 306, 308, 313, 330, 331, 338, 341,
D8/342, 343, 344, 345, 346, 349, 356; D22/108;
70/208, 369, 371, 421; 292/336.3, DIG. 30,
292/DIG. 31

See application file for complete search history.

(56) **References Cited**

U.S. PATENT DOCUMENTS

D303,617 S *	9/1989	Russell et al.	D8/306
D303,618 S *	9/1989	Russell et al.	D8/306
D303,619 S *	9/1989	Russell et al.	D8/313
D303,922 S *	10/1989	Russell et al.	D8/321
D314,131 S *	1/1991	Russell et al.	D8/321
D343,782 S *	2/1994	Gromotka et al.	D8/331
D371,502 S *	7/1996	Morris	D8/331
5,606,882 A *	3/1997	Larsen et al.	70/369
D383,664 S *	9/1997	Bennett	D8/331
D391,139 S *	2/1998	Gilliam	D8/331
D396,397 S *	7/1998	Swan	D8/331
5,983,682 A *	11/1999	Parikh	70/208
D417,603 S *	12/1999	Schlack et al.	D8/338
D418,043 S *	12/1999	Schlack et al.	D8/338
D425,775 S *	5/2000	Schlack et al.	D8/331
D432,897 S *	10/2000	Spangler	D8/331
6,145,352 A *	11/2000	Vickers et al.	70/208
D437,203 S *	2/2001	Antonucci et al.	D8/331
D483,430 S *	12/2003	Teskey	D22/108

D504,803 S * 5/2005 Misner et al. D8/302
D541,134 S * 4/2007 Antonucci et al. D8/331
2005/0110283 A1* 5/2005 Witiak et al. 292/336.3

* cited by examiner

Primary Examiner—Stella M. Reid

Assistant Examiner—Shanda C. Hill

(74) *Attorney, Agent, or Firm*—Christie, Parker & Hale, LLP

(57) **CLAIM**

The ornamental design for trigger latch, as shown and described.

DESCRIPTION

FIG. 1 is a top right front isometric view of the trigger latch of the invention in its closed position.

FIG. 2 is a top right rear isometric view of the trigger latch of FIG. 1.

FIG. 3 is a top view of the trigger latch of FIG. 1.

FIG. 4 is a right side view of the trigger latch of FIG. 1, the left side view being a mirror image;

FIG. 5 is a front view of the trigger latch of FIG. 1.

FIG. 6 is a rear view of the trigger latch of FIG. 1.

FIG. 7 is a top right front isometric view of the trigger latch of the invention but in its opened position.

FIG. 8 is a top right rear isometric view of the trigger latch of FIG. 7.

FIG. 9 is a top view of the trigger latch of FIG. 7.

FIG. 10 is a right side view of the trigger latch of FIG. 7, the left side view being a mirror image;

FIG. 11 is a front view of the trigger latch of FIG. 7; and,

FIG. 12 is a rear view of the trigger latch of FIG. 7.

The broken lines shown in the drawing disclosure are for illustrative purposes only and form no part of the claimed design.

1 Claim, 10 Drawing Sheets

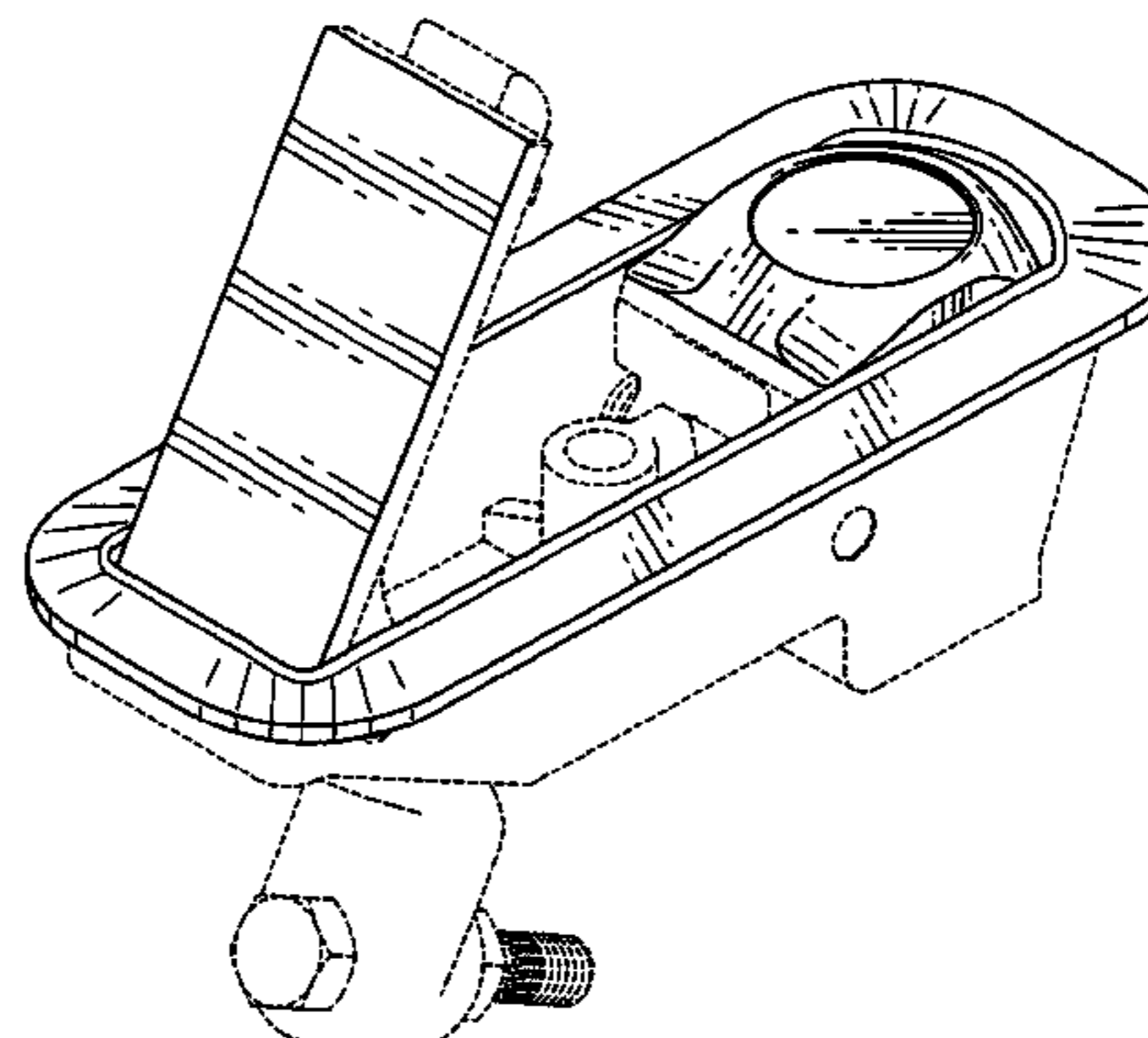
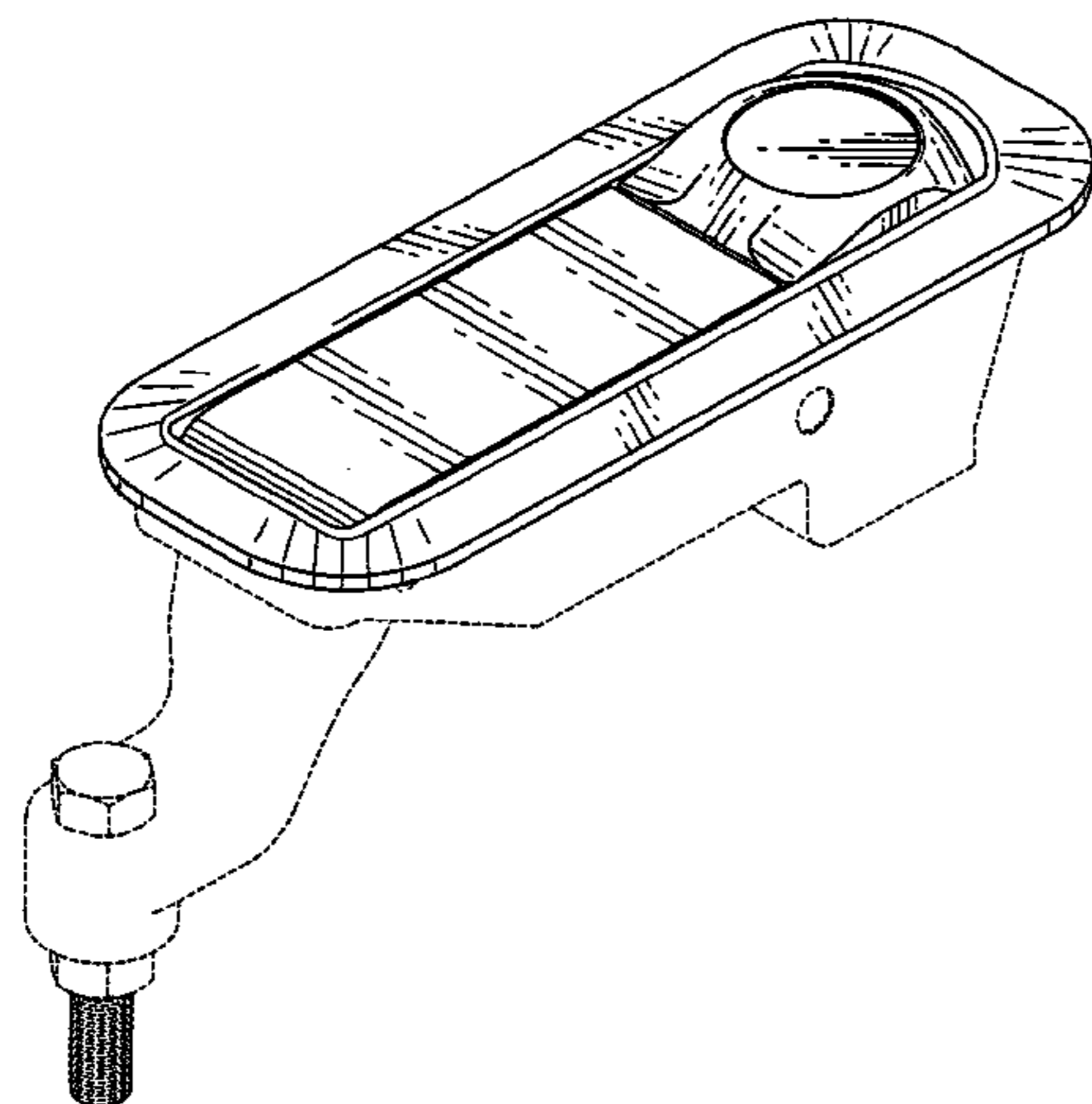


FIG. 1

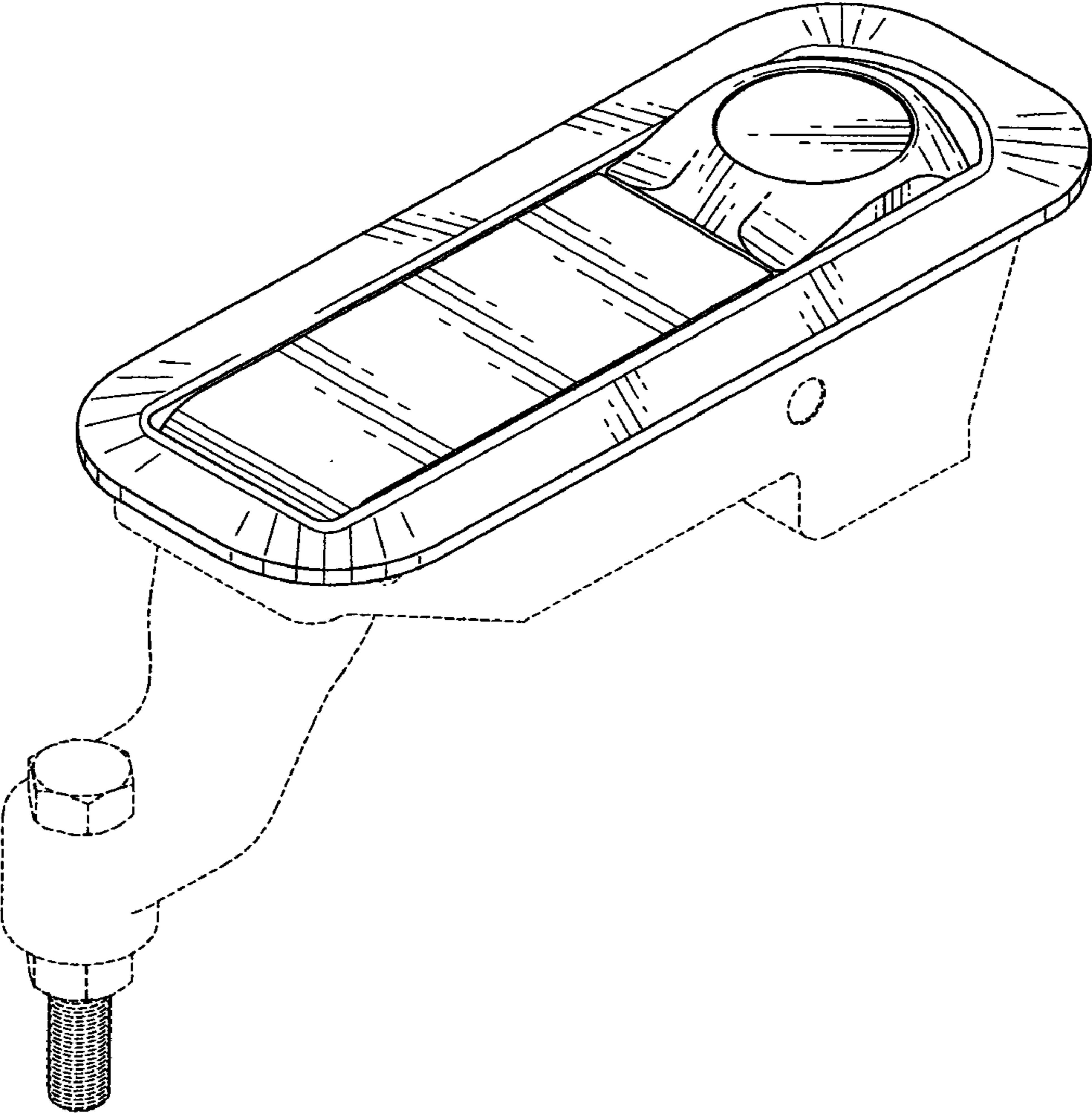


FIG. 2

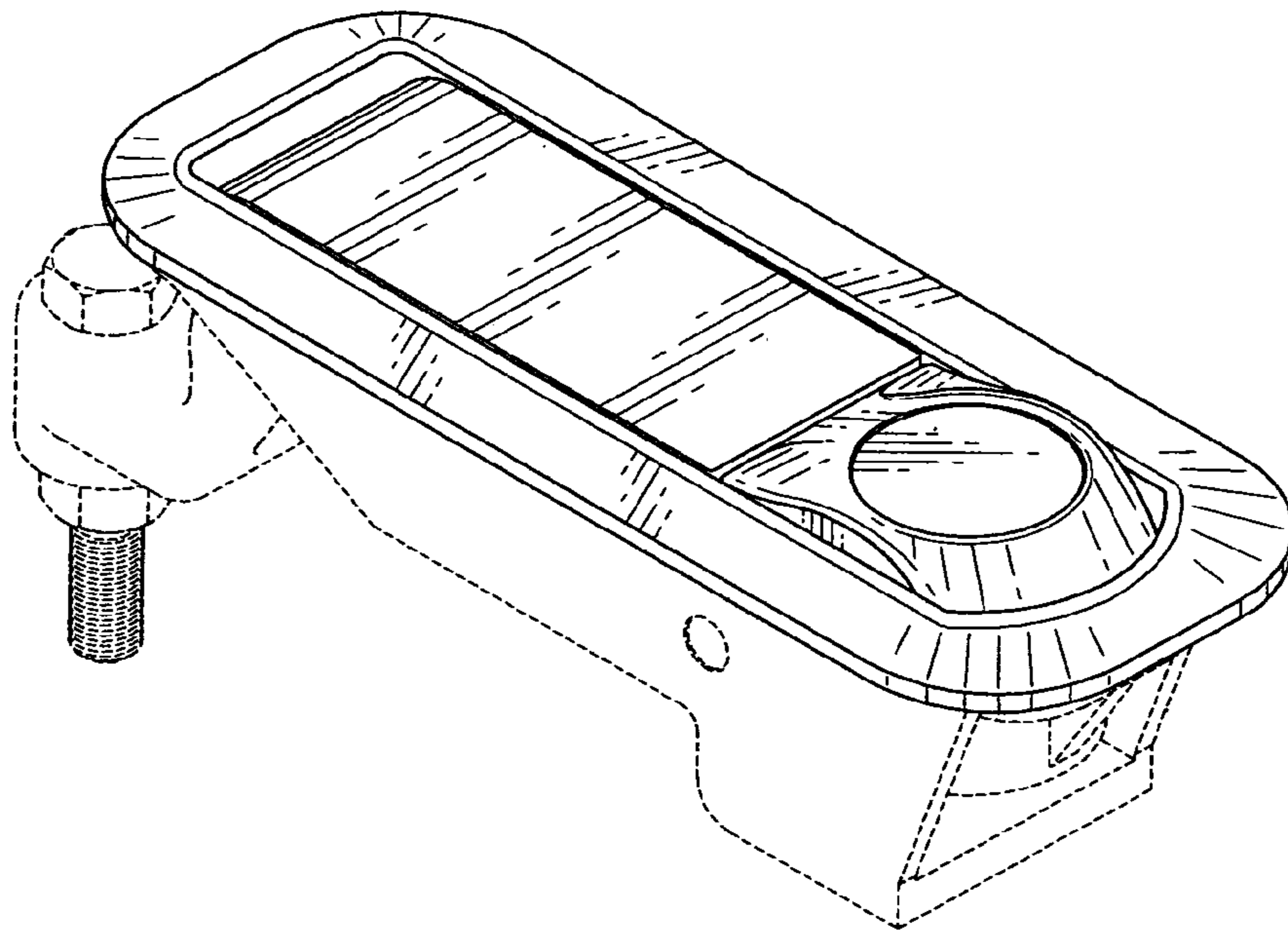


FIG. 3

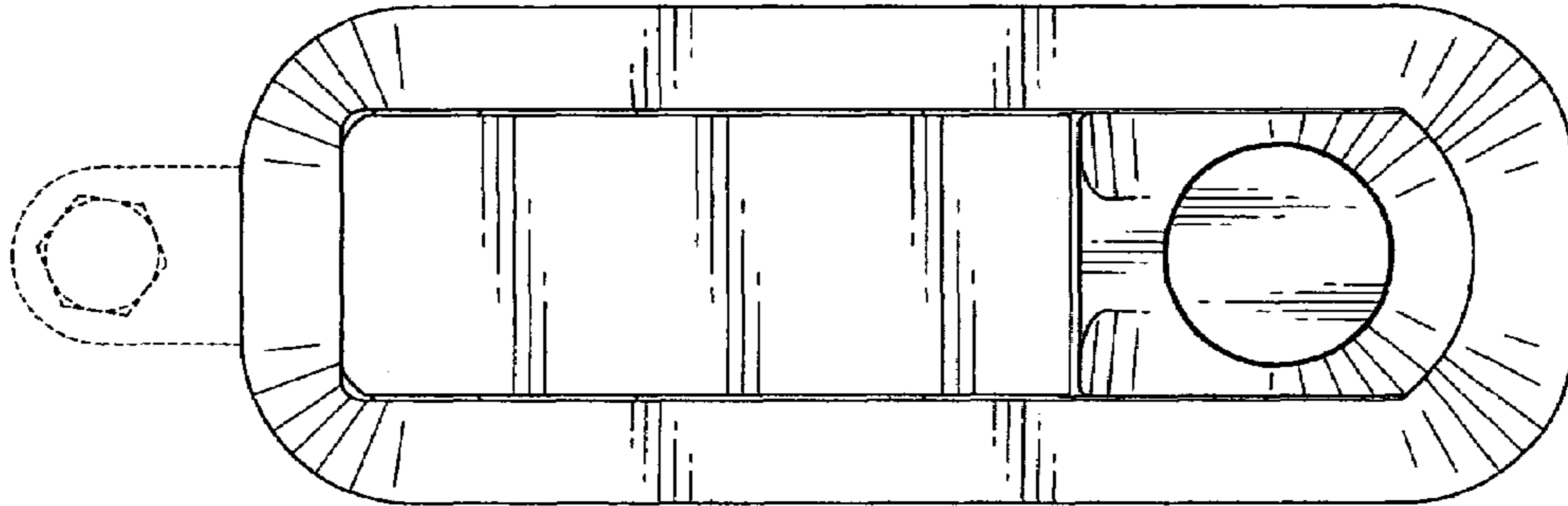


FIG. 4

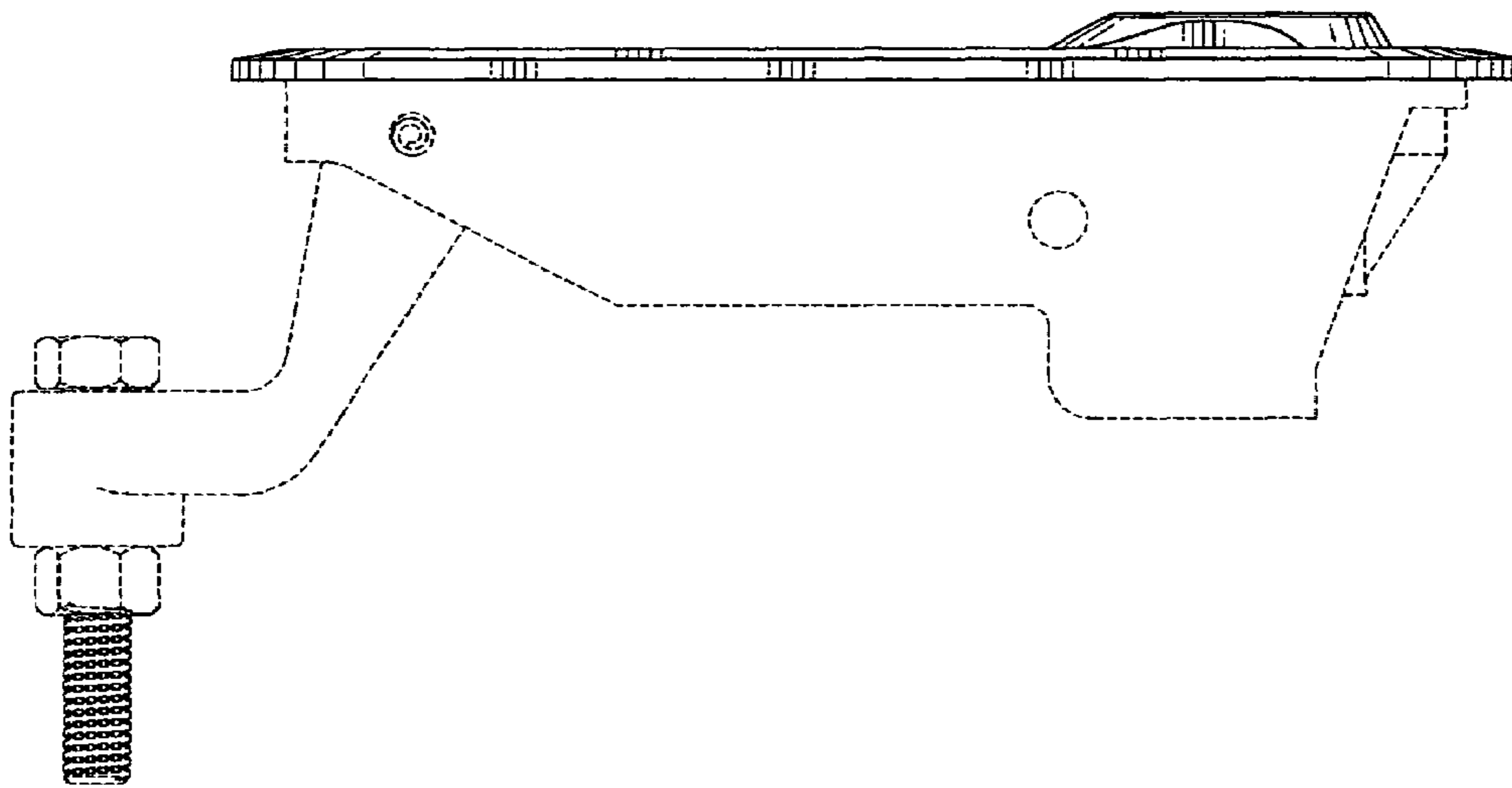


FIG. 5

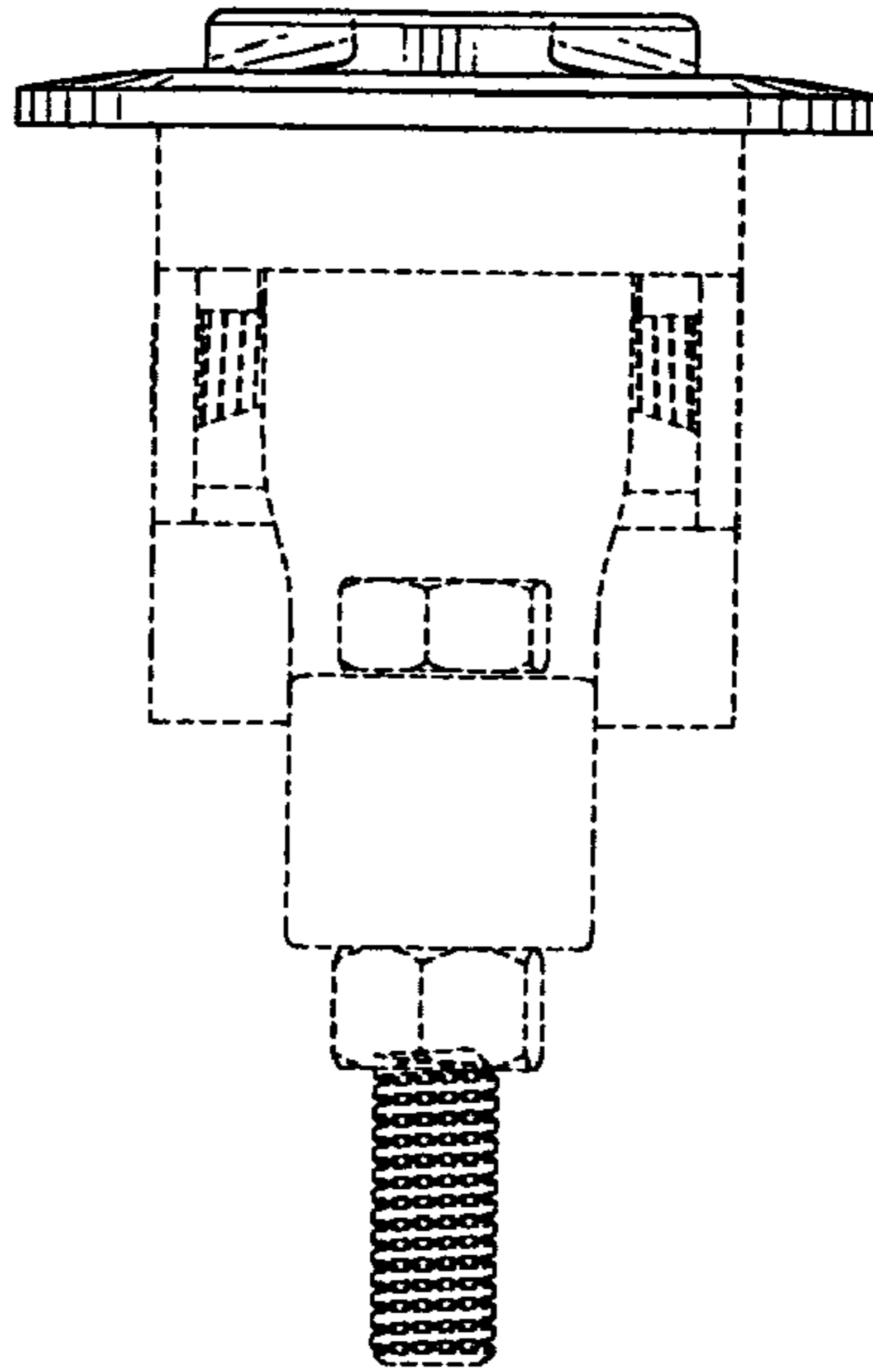


FIG. 6

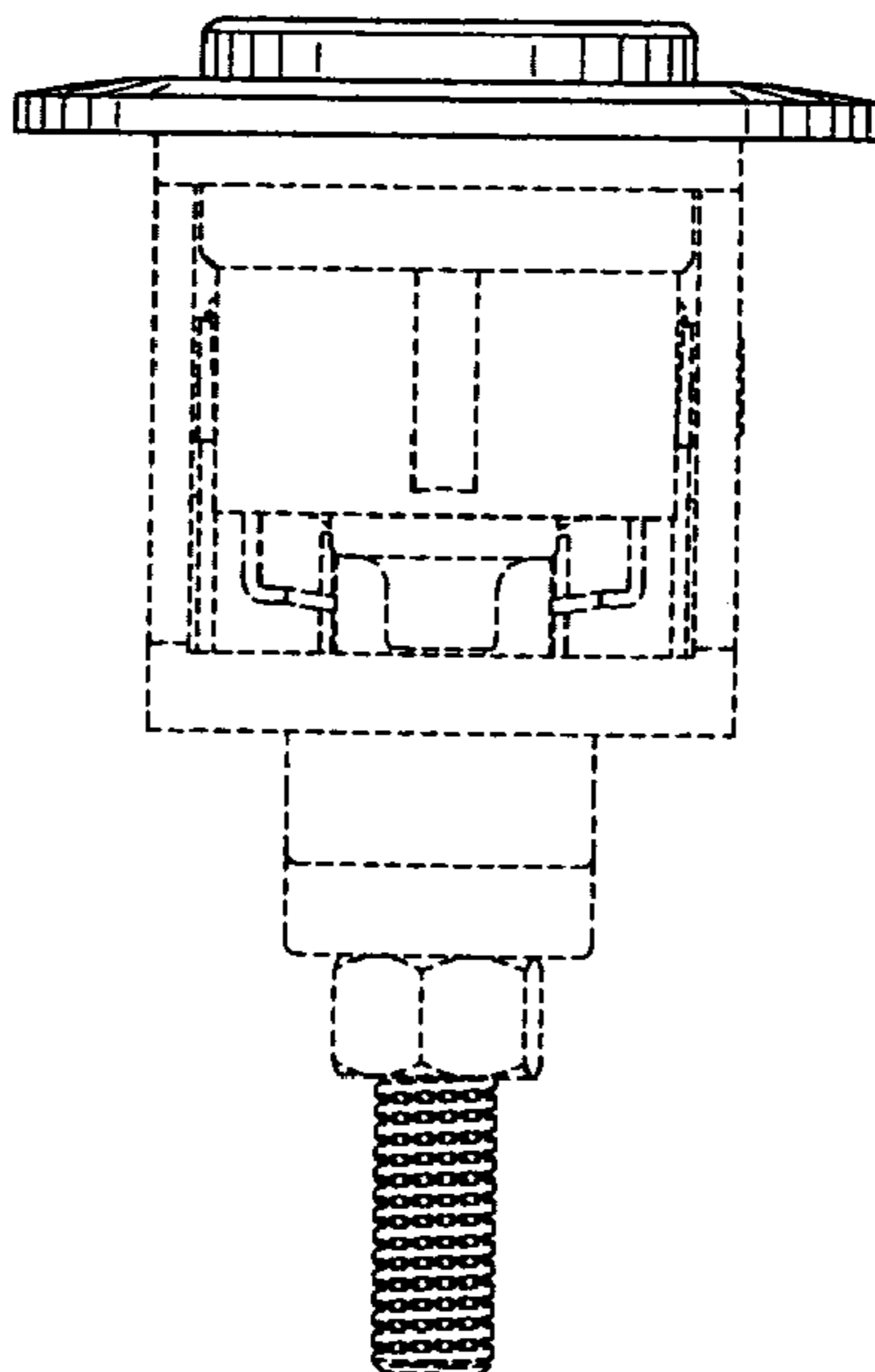


FIG. 7

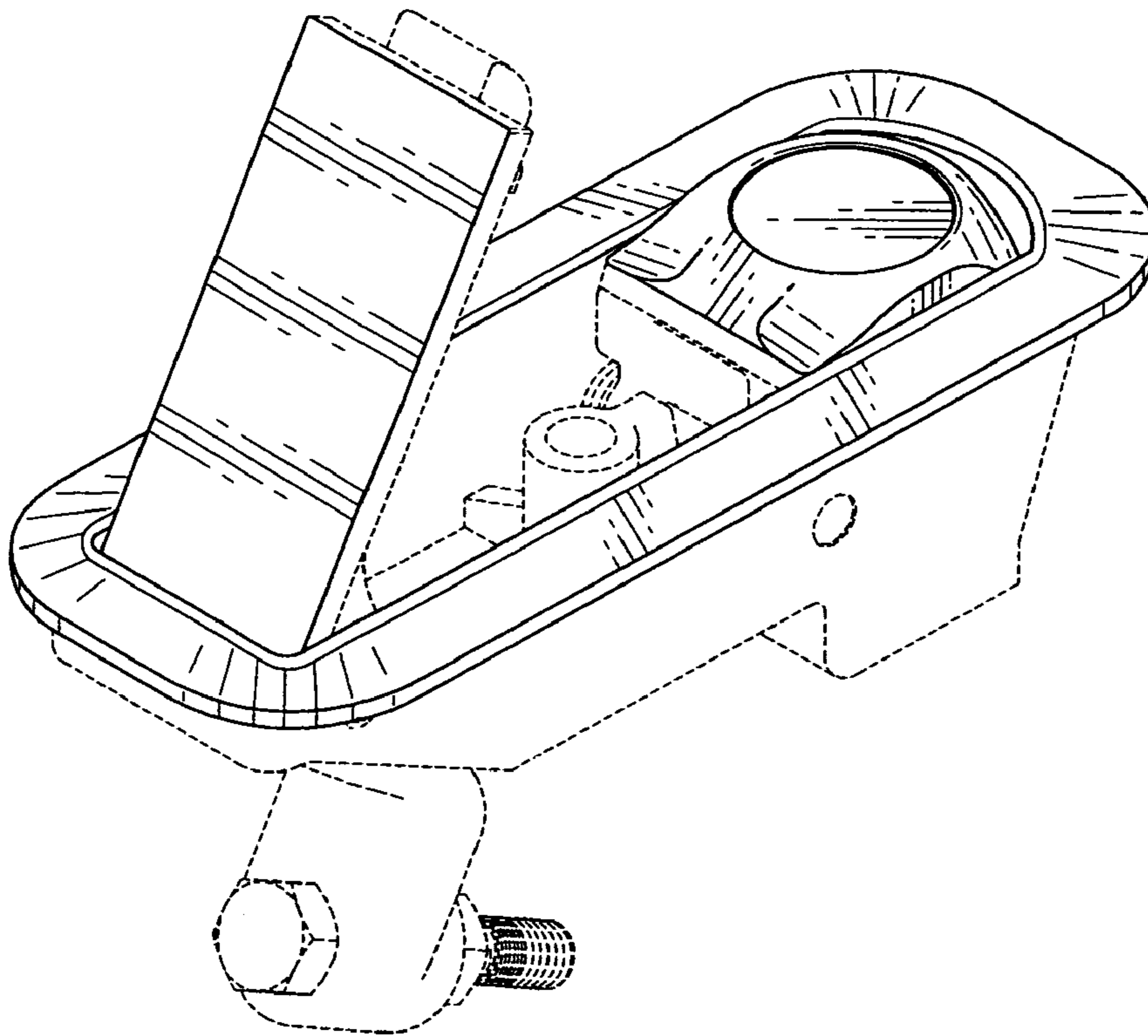


FIG. 8

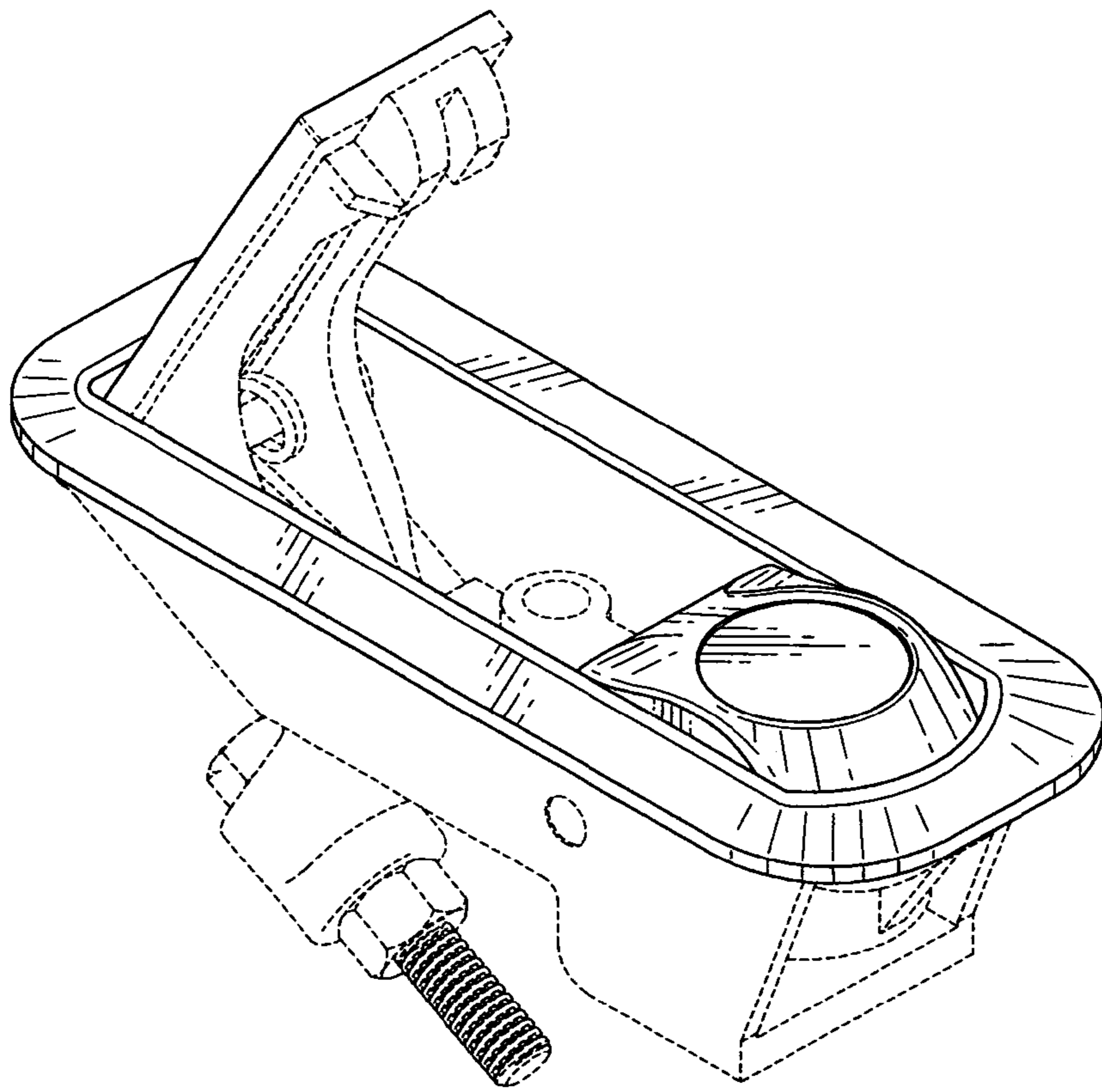


FIG. 9

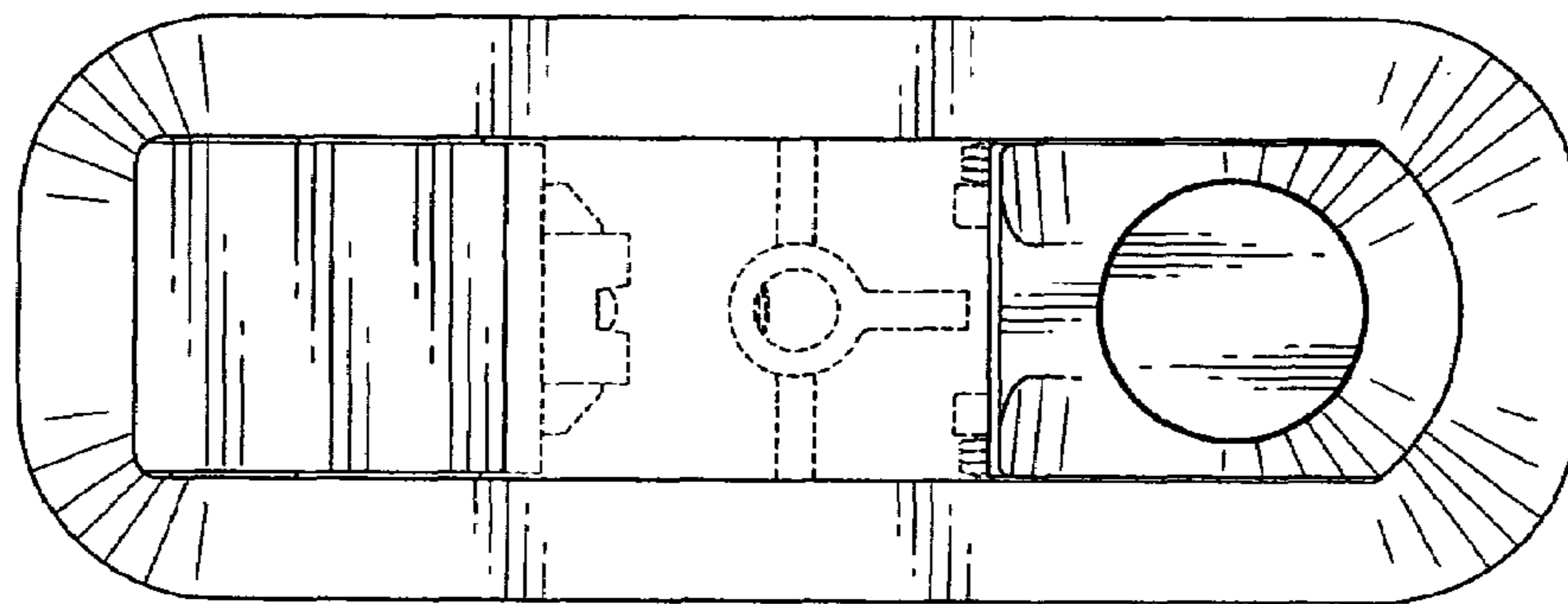


FIG. 10

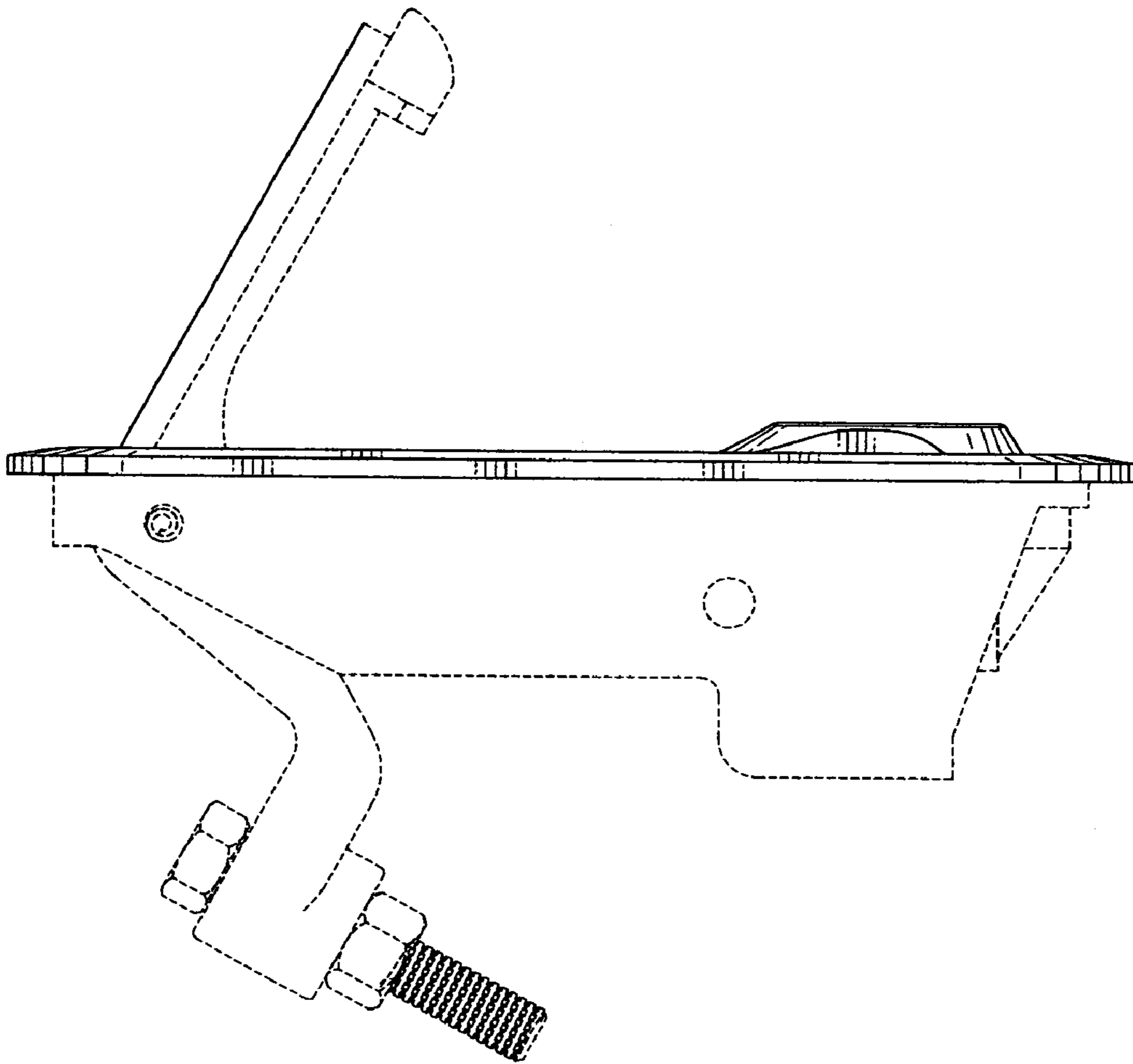


FIG. 11

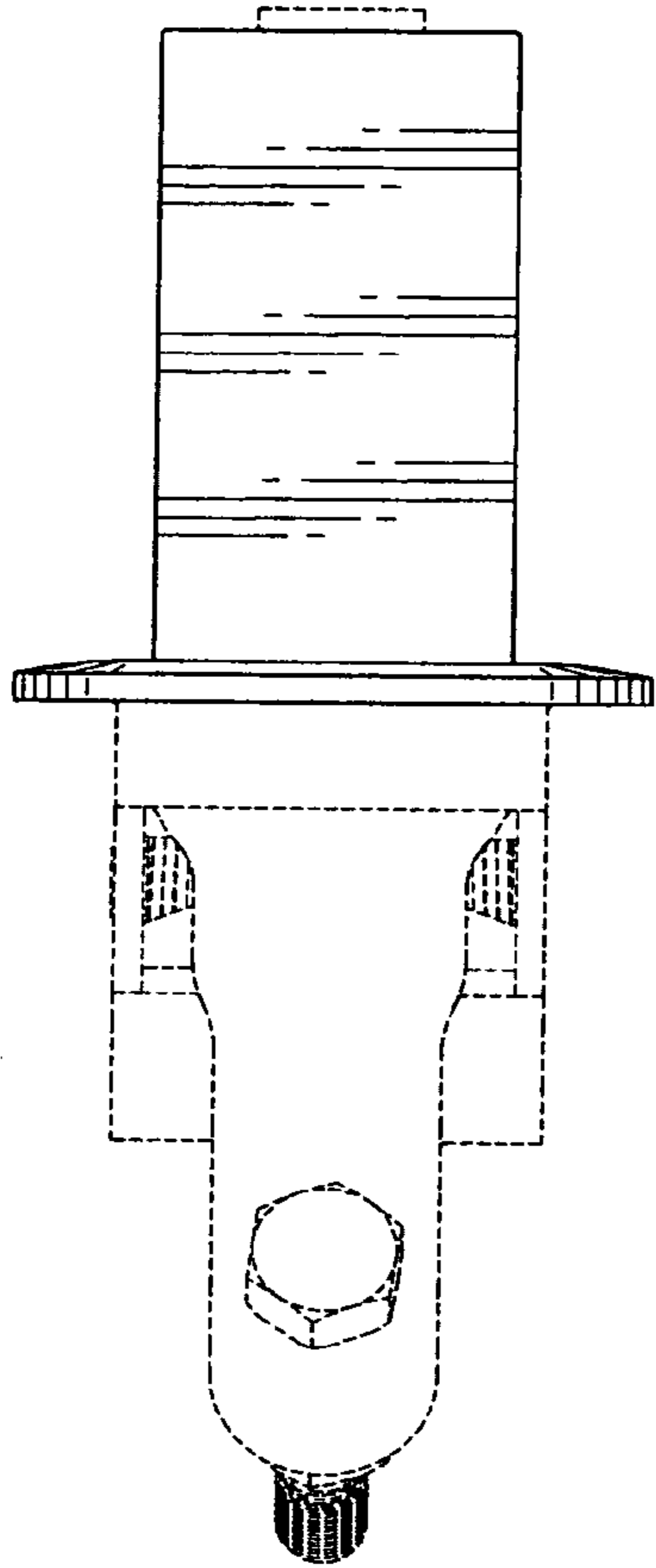


FIG. 12

