

US00D570668S

(12) **United States Design Patent** (10) **Patent No.:** **US D570,668 S**
DeCarlo et al. (45) **Date of Patent:** **** Jun. 10, 2008**

(54) **ZIPPER LOCK FOR A STORAGE DEVICE**

(75) Inventors: **Anthony J. DeCarlo**, Kirtland, OH
(US); **Daniel V. Perella**, Hudson, OH
(US); **Vincent J. Thomson**, Avon Lake,
OH (US)

(73) Assignee: **Ideastream Consumer Products, LLC**,
Parma, OH (US)

(**) Term: **14 Years**

(21) Appl. No.: **29/278,824**

(22) Filed: **Apr. 11, 2007**

(51) **LOC (8) Cl.** **08-07**

(52) **U.S. Cl.** **D8/330; D8/331**

(58) **Field of Classification Search** D8/301,
D8/302, 330, 331, 333, 338, 339, 341, 342,
D8/343, 344, 345, 346, 349; D11/200, 216,
D11/218, 220, 221, 237; D3/217, 219, 243,
D3/245, 256, 267, 273, 276, 291, 294; 190/120;
70/18, 68; 24/298, 587.12, 615, 625; 292/DIG. 26,
292/DIG. 42, DIG. 48, DIG. 49

See application file for complete search history.

(56) **References Cited**

U.S. PATENT DOCUMENTS

3,971,458 A * 7/1976 Koenig 190/120
3,973,419 A 8/1976 Atkinson
4,856,306 A 8/1989 Scelba
D312,986 S * 12/1990 Bianchi D11/216
4,974,432 A 12/1990 Blake
5,193,368 A 3/1993 Ling
5,517,836 A 5/1996 Hong
5,557,954 A * 9/1996 Ling 70/68
6,016,675 A 1/2000 Te
6,189,348 B1 2/2001 Huang

D469,383 S * 1/2003 Young D11/200
D498,408 S * 11/2004 Haas D8/338
D498,409 S * 11/2004 Haas D8/338
D498,658 S * 11/2004 Haas D8/338
6,871,517 B2 3/2005 Bonelli
6,912,879 B1 7/2005 Yu
7,007,804 B1 3/2006 Witherspoon
7,032,415 B2 4/2006 Young
D556,540 S * 12/2007 Bahadir D8/331
D560,468 S * 1/2008 Bahadir D8/331
2006/0081022 A1 4/2006 Yu

FOREIGN PATENT DOCUMENTS

JP 63-022665 8/1989

* cited by examiner

Primary Examiner—Stella M. Reid

Assistant Examiner—Shanda C. Hill

(74) *Attorney, Agent, or Firm*—Pillsbury Winthrop Shaw
Pittman LLP

(57) **CLAIM**

The ornamental design for a zipper lock for a storage device,
as shown and described.

DESCRIPTION

FIG. 1 is a perspective view of a zipper lock for a storage
device embodying our new design;

FIG. 2 is a front elevational view of FIG. 1;

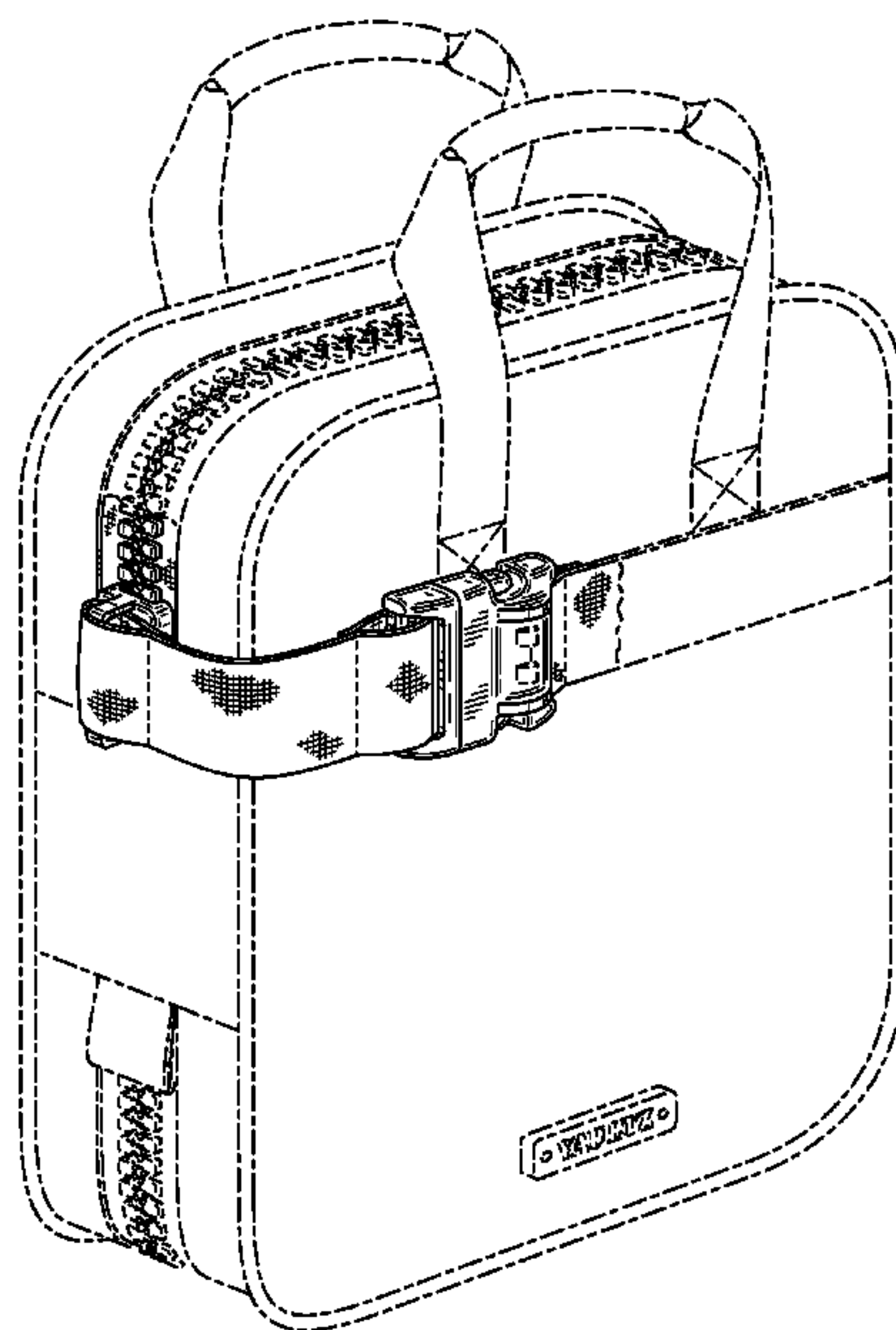
FIG. 3 is a right side elevational view of FIG. 1;

FIG. 4 is a top plan view of FIG. 1; and,

FIG. 5 is a bottom plan view of FIG. 1.

The broken lines shown in the drawing disclosure are for
illustrative purposes only and form no part of the claimed
design.

1 Claim, 4 Drawing Sheets



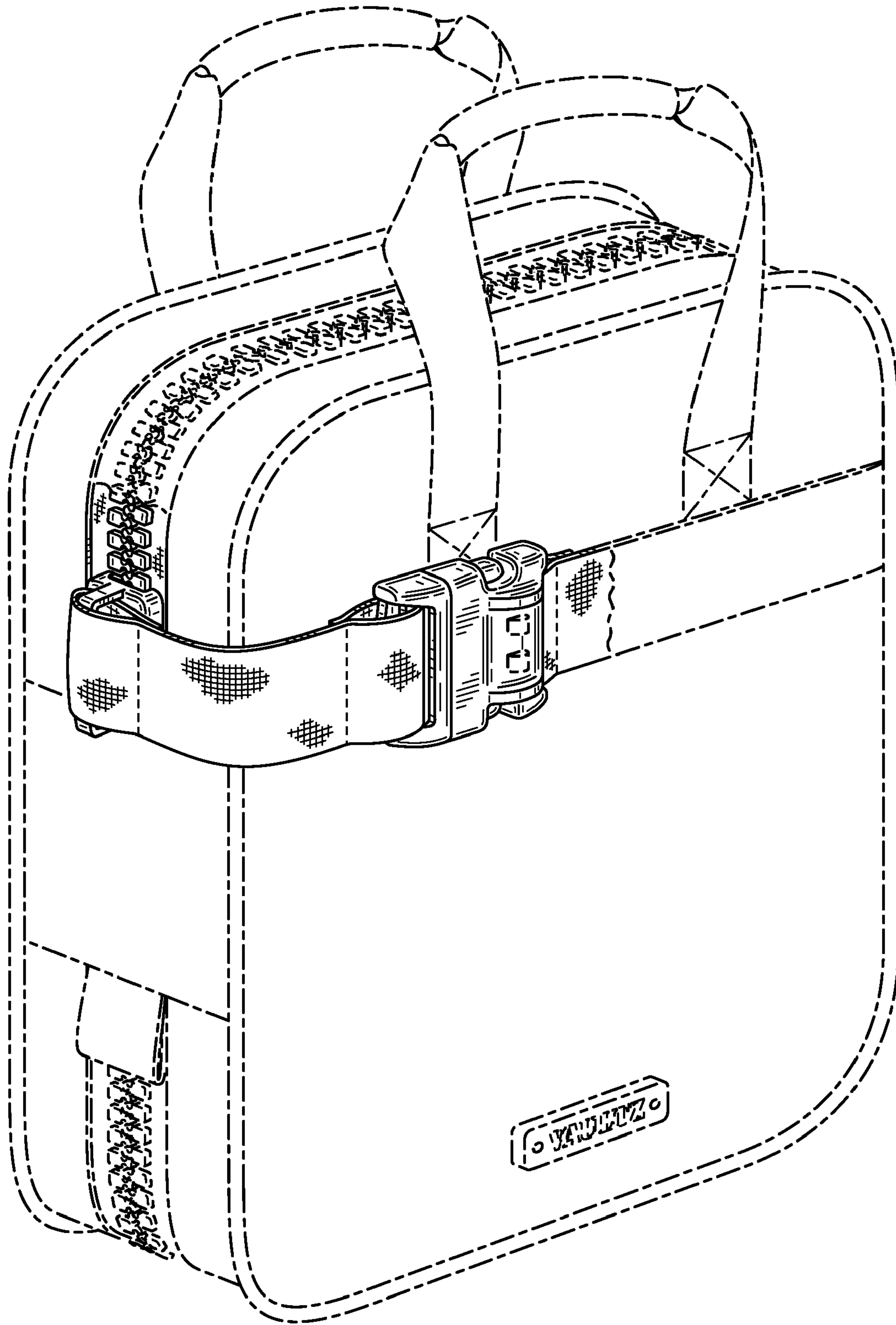


FIG. 1

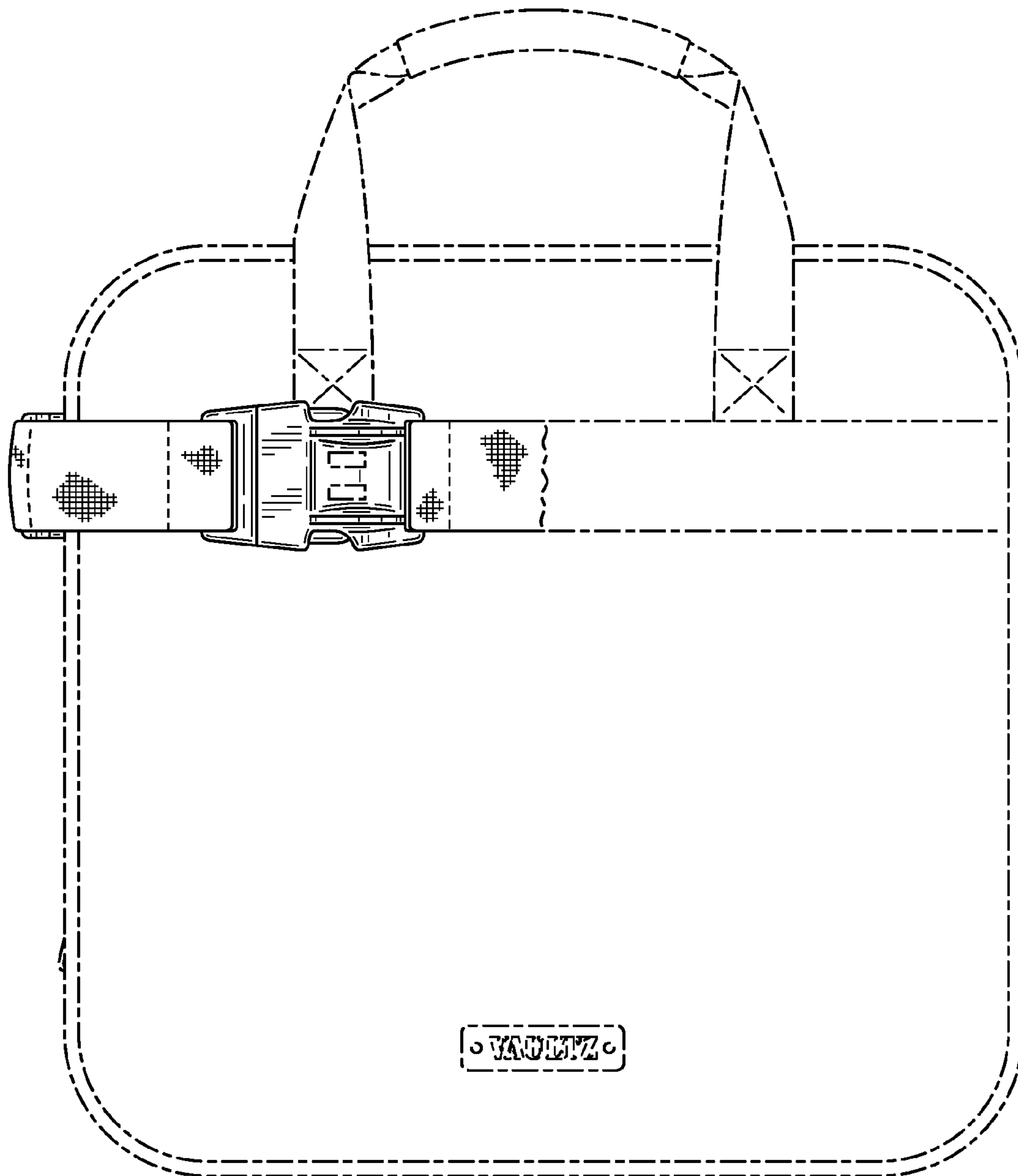


FIG. 2

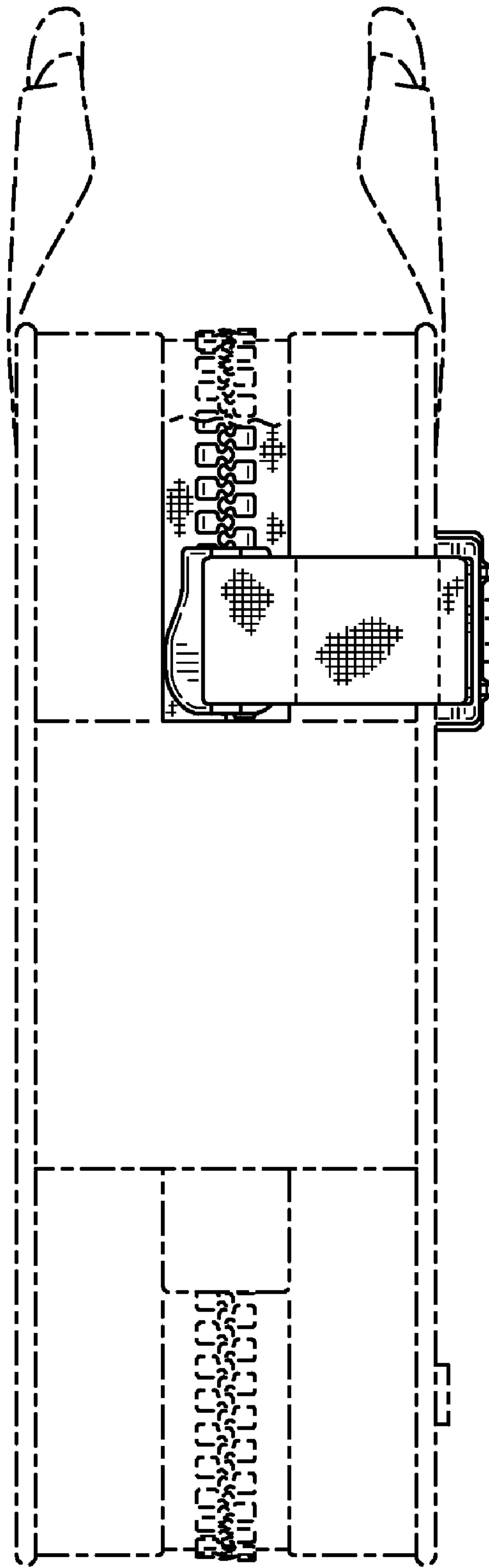


FIG. 3

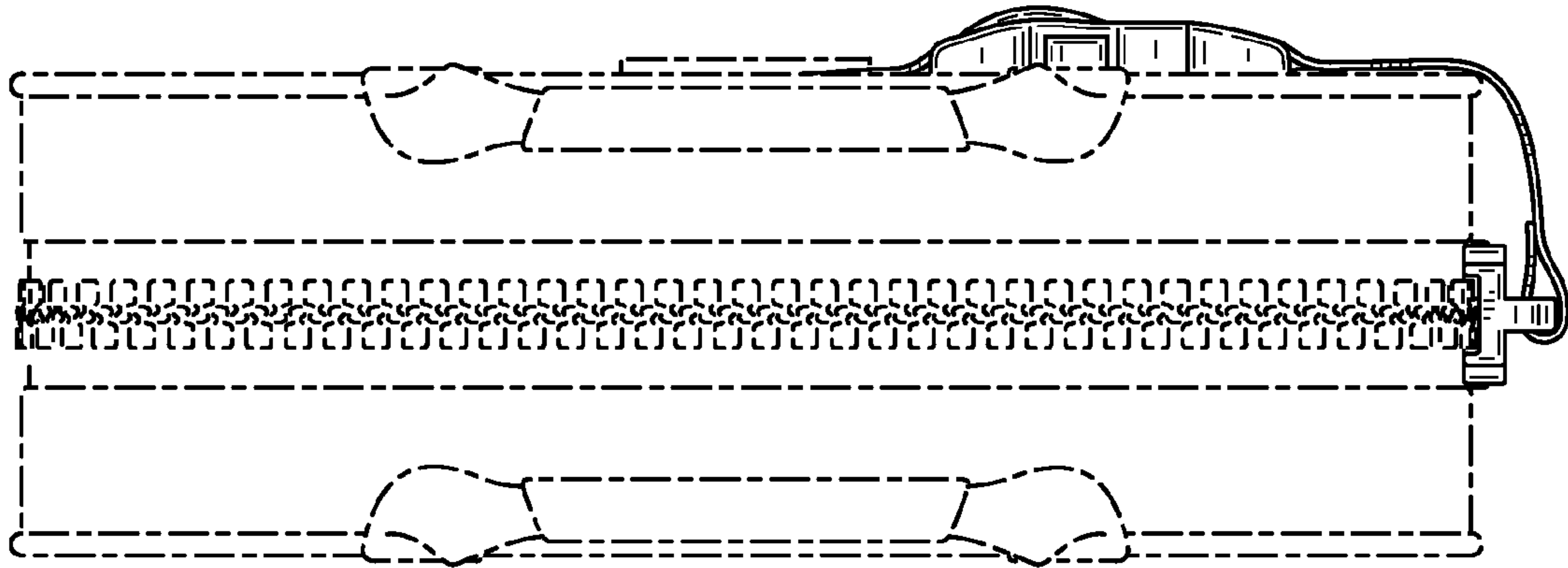


FIG. 4

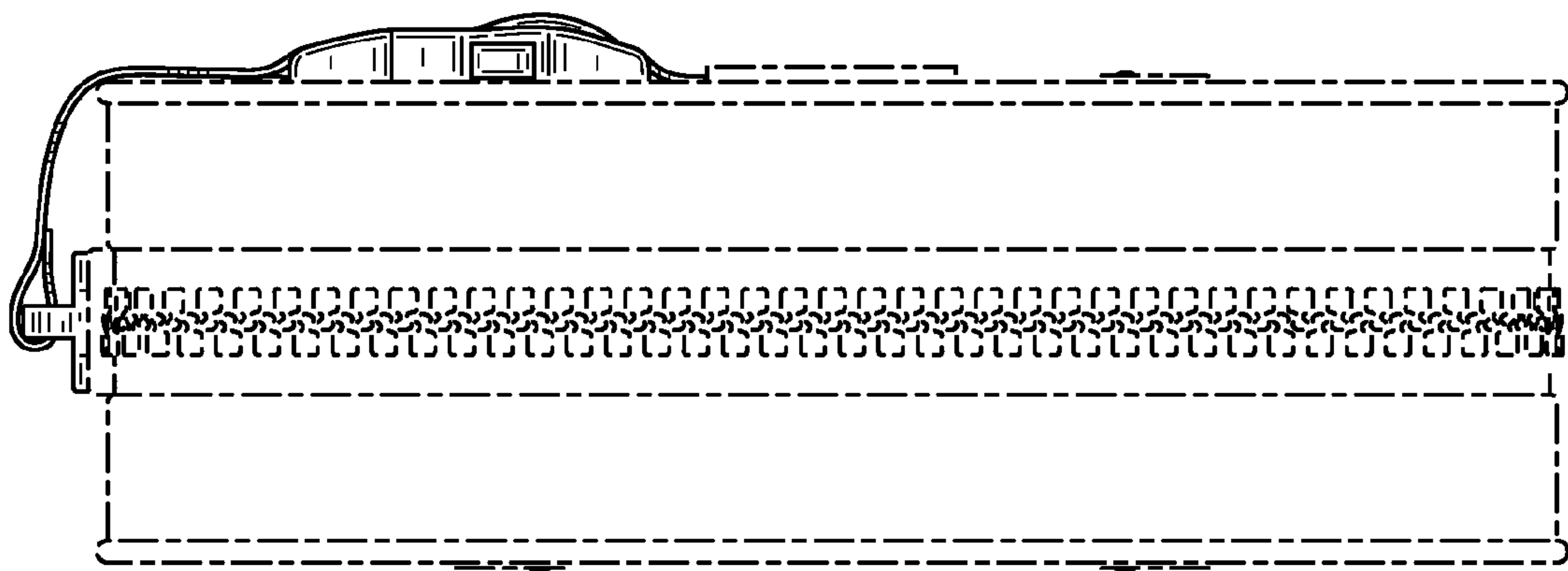


FIG. 5