



US00D570665S

(12) **United States Design Patent**  
**Lin**

(10) **Patent No.:** **US D570,665 S**

(45) **Date of Patent:** **\*\* Jun. 10, 2008**

(54) **HAND TOOL STEM**

D473,444 S \* 4/2003 Lin ..... D8/85

\* cited by examiner

(76) **Inventor:** **Tsung-Ming Lin**, No. 206, Chuan-Shui Lane, Sec. 1, Chung-Hsin Rd., Ta-Li, Taichung Hsien (TW)

*Primary Examiner*—Philip S Hyder

(74) *Attorney, Agent, or Firm*—Alan Kamrath; Kamrath & Associates PA

(\*\*) **Term:** **14 Years**

(57) **CLAIM**

(21) **Appl. No.:** **29/273,462**

The ornamental design for a hand tool stem, as shown and described.

(22) **Filed:** **Mar. 5, 2007**

(51) **LOC (8) Cl.** ..... **08-04**

**DESCRIPTION**

(52) **U.S. Cl.** ..... **D8/83; D8/107**

(58) **Field of Classification Search** ..... D8/82,  
D8/83, 84, 85, 86, 107, 309, 21, 14; 81/177.1,  
81/489, 436; 7/165

FIG. 1 is a perspective view of a hand tool stem, showing my new design;

FIG. 2 is a front view thereof;

FIG. 3 is a rear view thereof;

FIG. 4 is a left side view thereof;

FIG. 5 is a right side view thereof;

FIG. 6 is a top view thereof;

FIG. 7 is a bottom view thereof; and,

FIG. 8 is a perspective view showing an embodiment of the claimed design, wherein the broken lines are shown for illustrative purposes only and form no part of the claimed design.

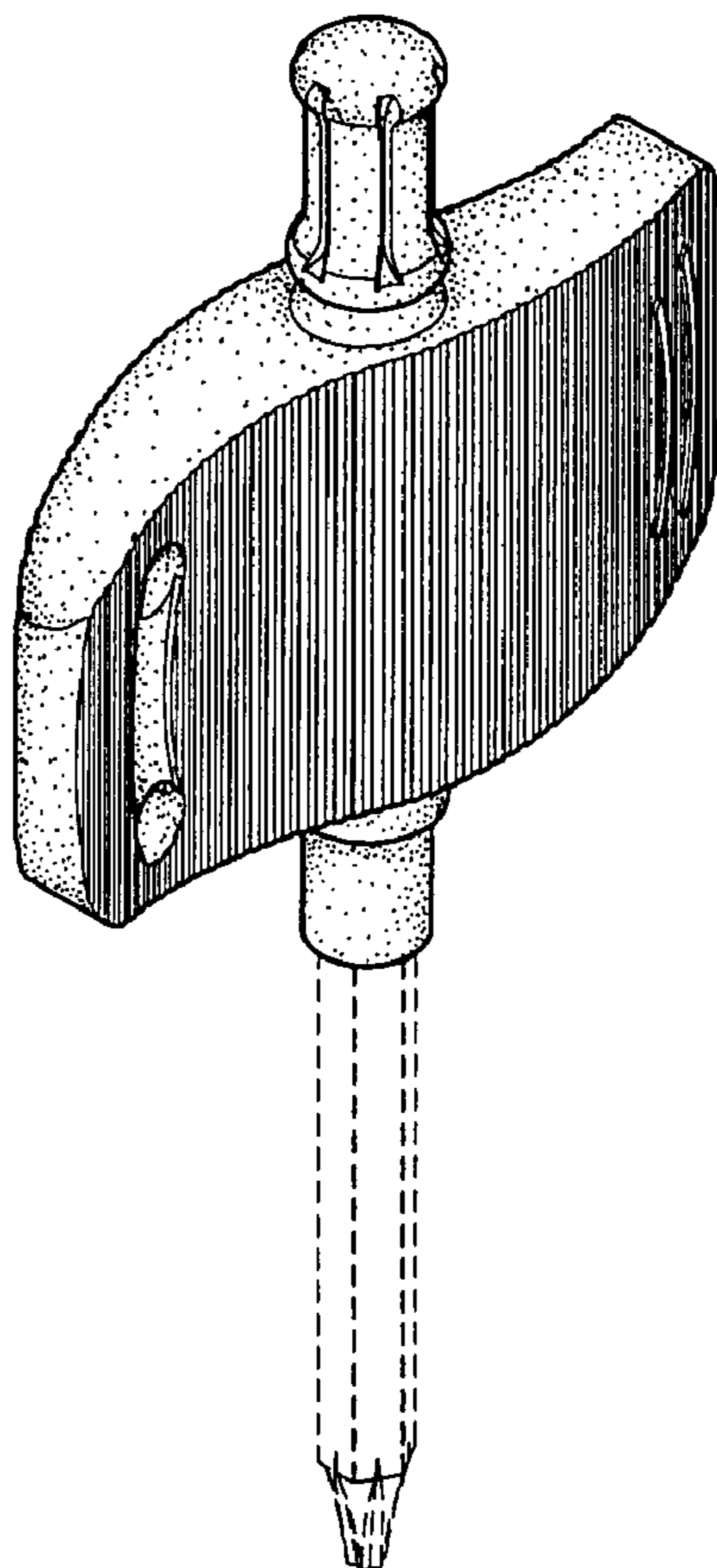
See application file for complete search history.

(56) **References Cited**

**U.S. PATENT DOCUMENTS**

- D245,062 S \* 7/1977 Grame ..... D8/83
- D245,063 S \* 7/1977 Grame ..... D8/83
- D344,664 S \* 3/1994 Malkinson ..... D8/85
- D380,363 S \* 7/1997 Macor ..... D8/83
- D400,775 S \* 11/1998 Hsu ..... D8/107
- D436,306 S \* 1/2001 Fu-Hui ..... D8/83

**1 Claim, 5 Drawing Sheets**



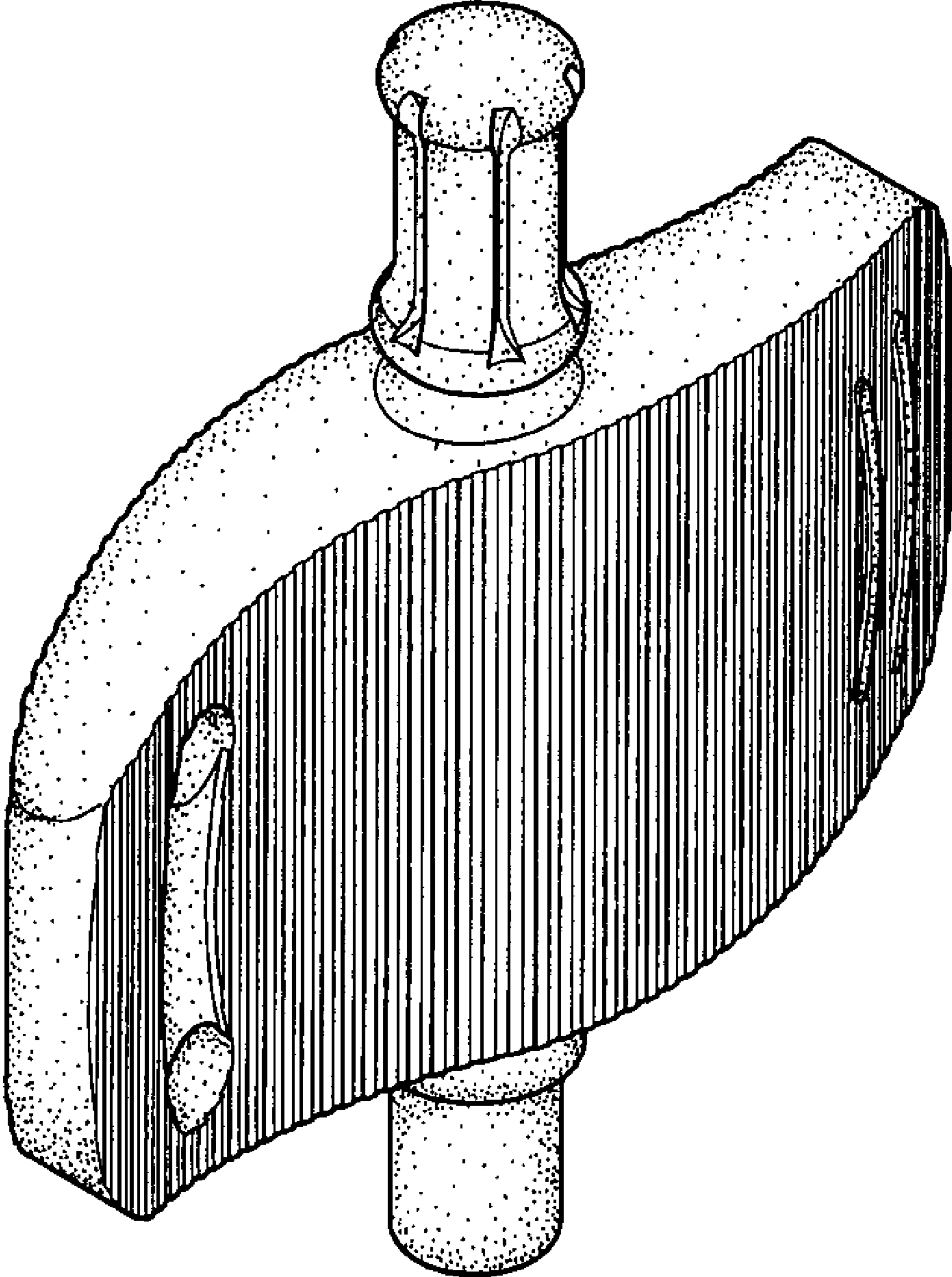


FIG. 1

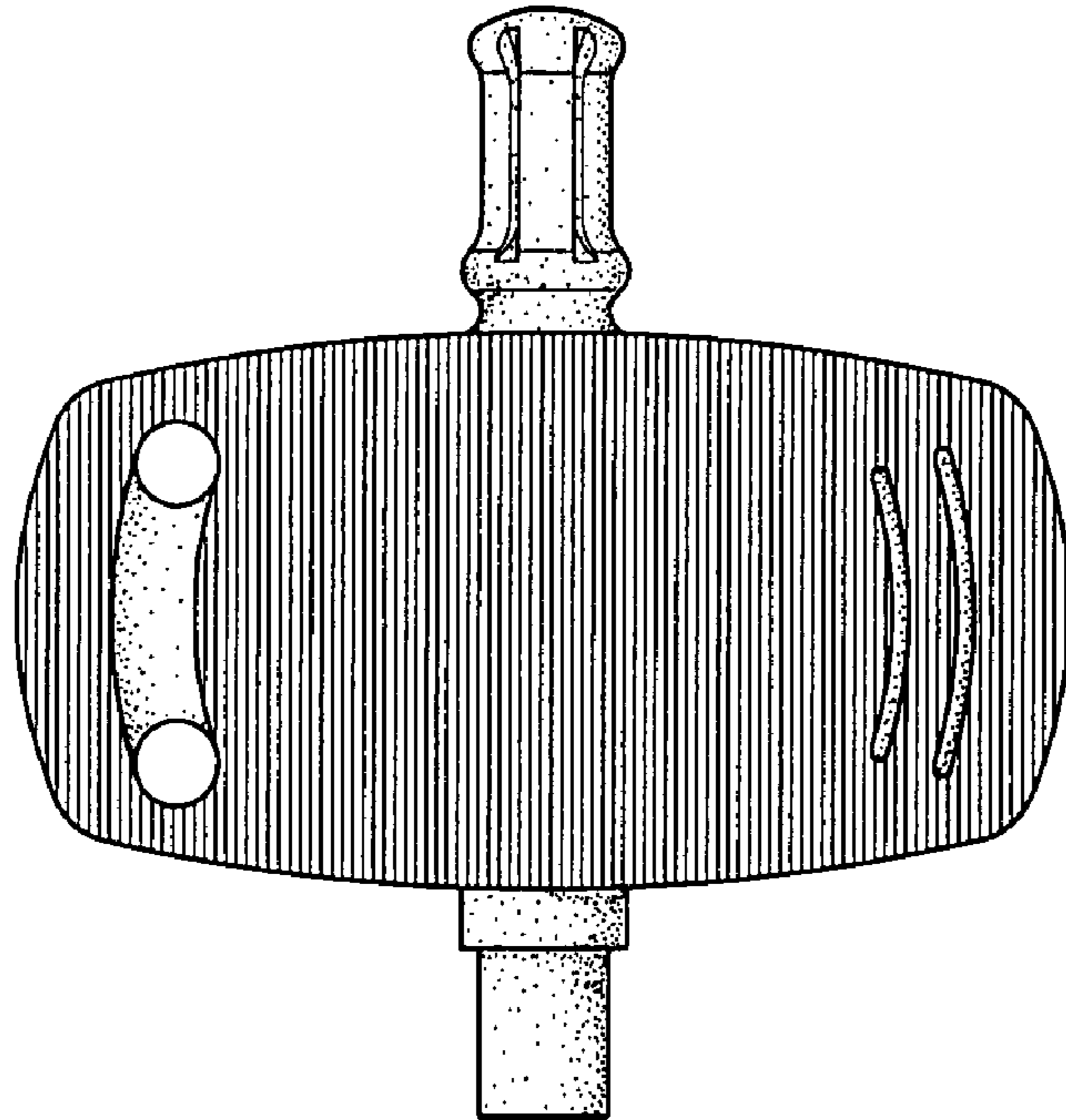


FIG. 2

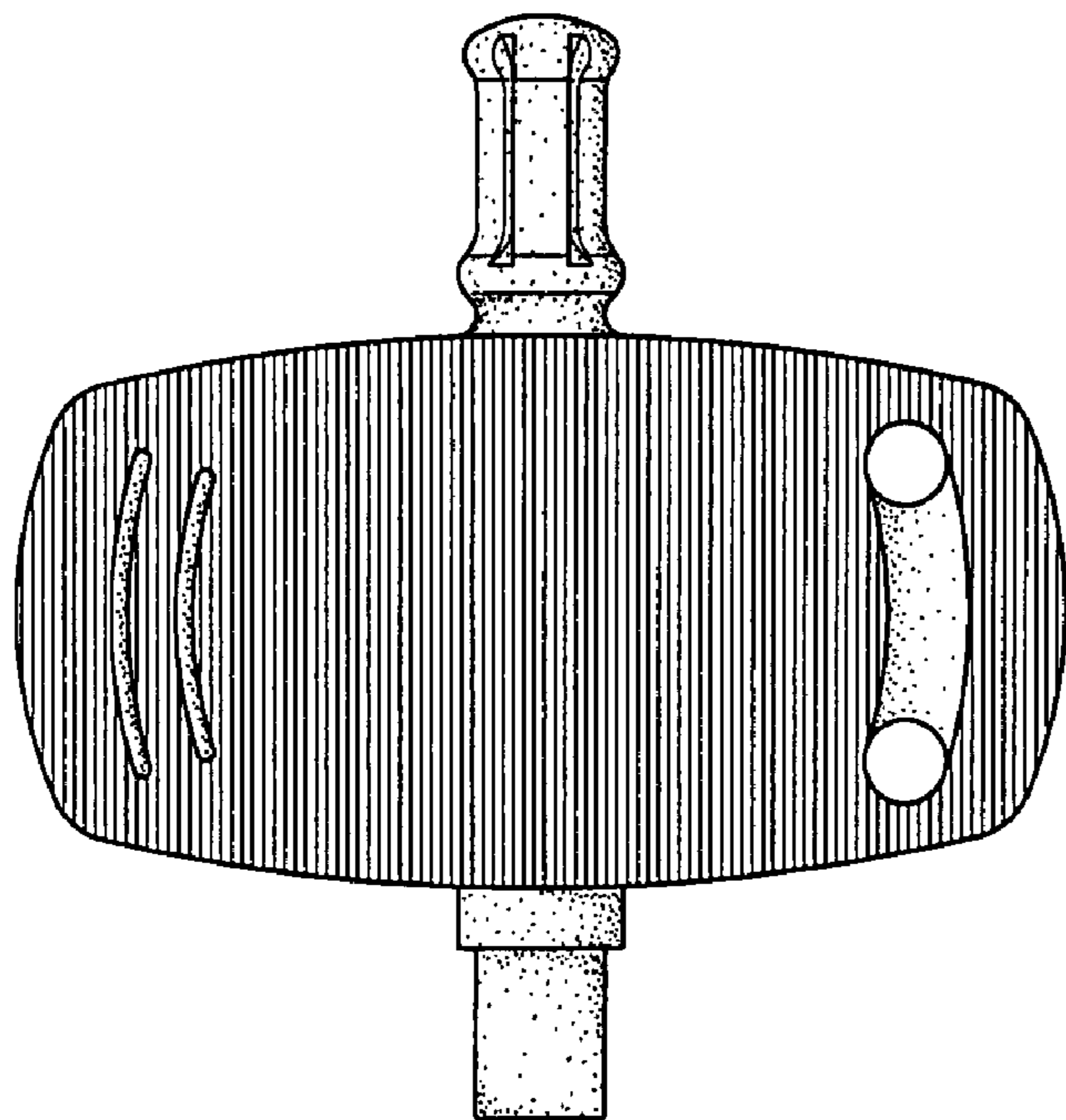


FIG. 3

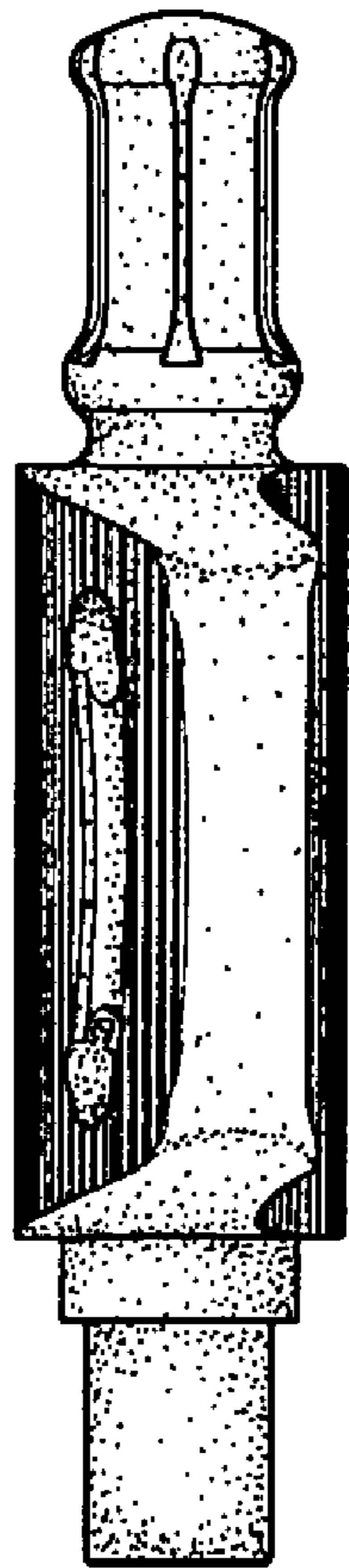


FIG. 4

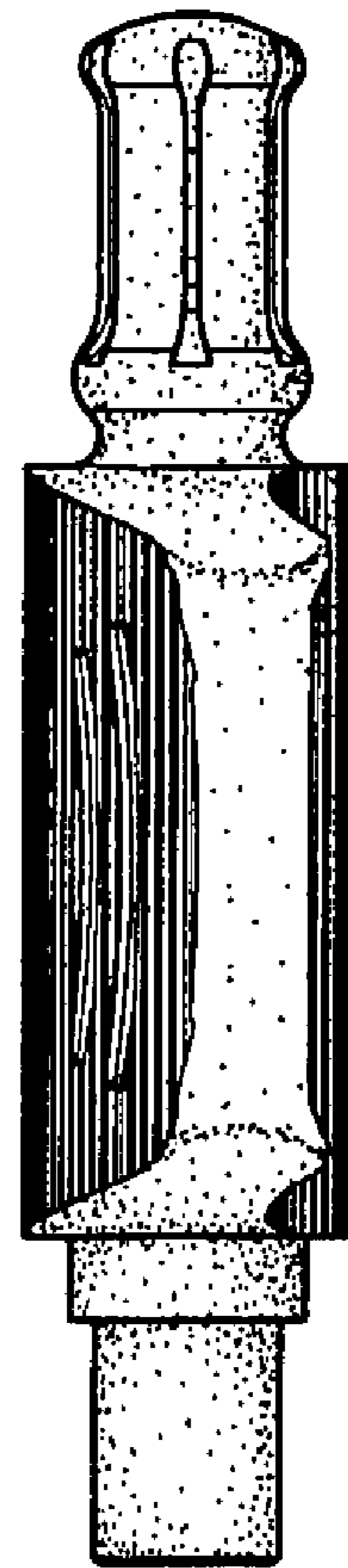


FIG. 5

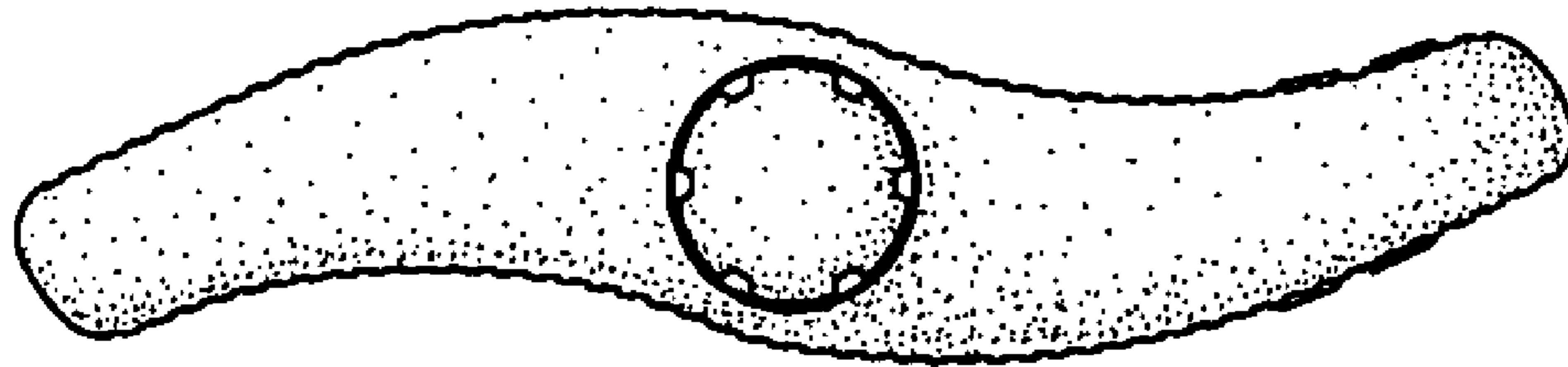


FIG. 6

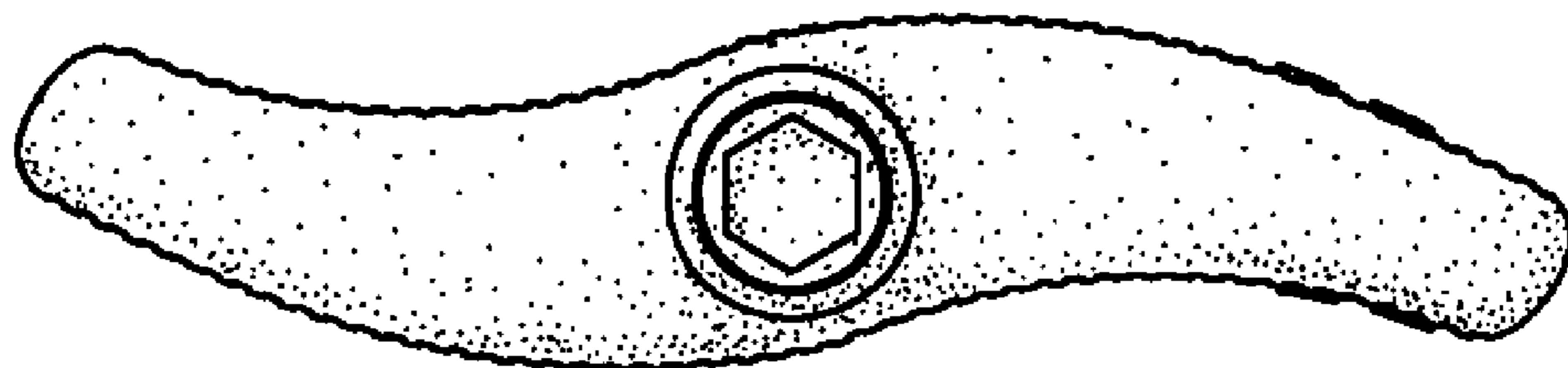


FIG. 7

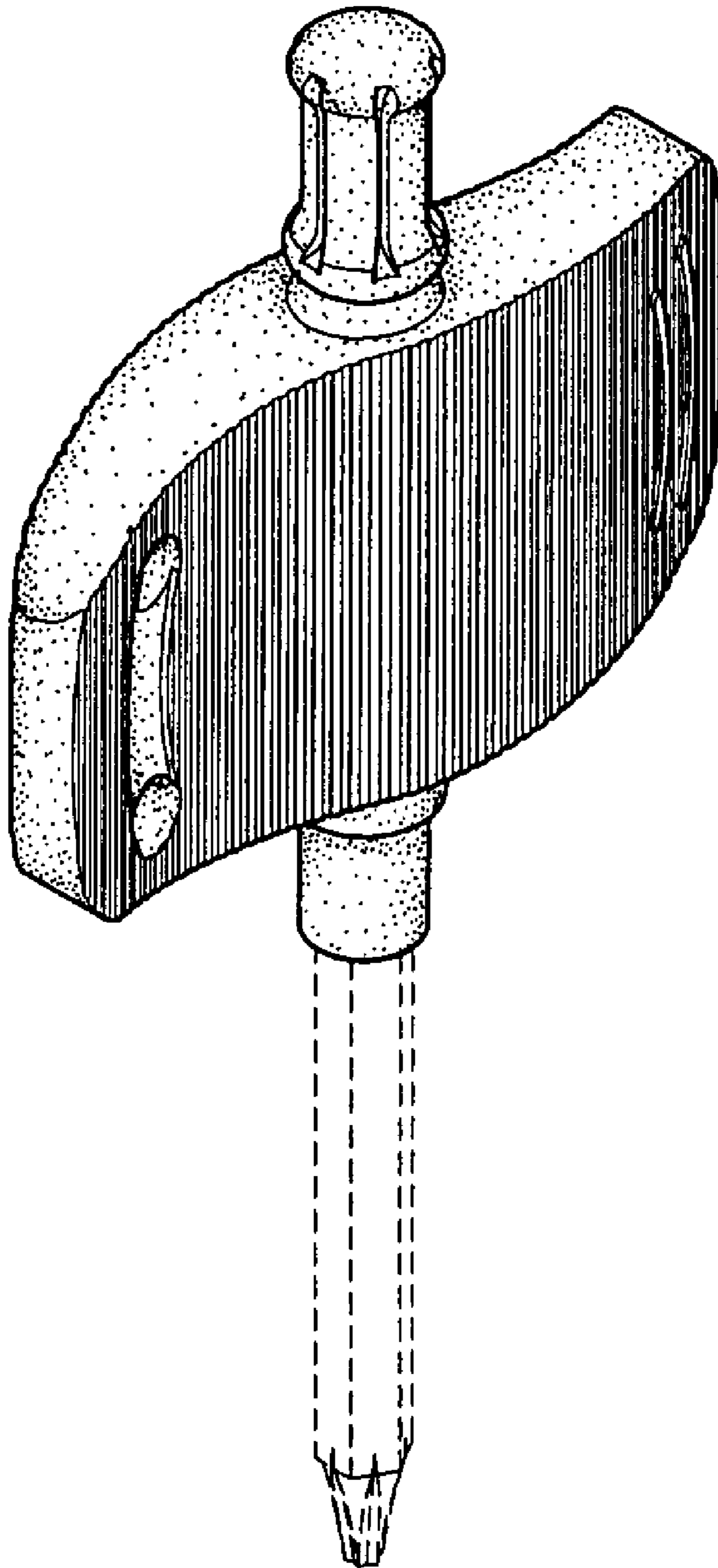


FIG.8