

US00D570662S

(12) **United States Design Patent**
Baxter

(10) **Patent No.:** **US D570,662 S**

(45) **Date of Patent:** **** Jun. 10, 2008**

(54) **SANDER**

(75) Inventor: **Mark James Baxter**, Newcastle upon Tyne (GB)

(73) Assignee: **Black & Decker Inc.**, Newark, DE (US)

(**) Term: **14 Years**

(21) Appl. No.: **29/298,117**

(22) Filed: **Nov. 29, 2007**

(51) **LOC (8) Cl.** **08-01**

(52) **U.S. Cl.** **D8/62**

(58) **Field of Classification Search** D8/67,
D8/62, 61, 70; D32/15, 17, 19; D4/102;
451/456, 451, 359, 358, 357, 356, 355, 364,
451/344

See application file for complete search history.

(56) **References Cited**

U.S. PATENT DOCUMENTS

D215,047 S *	8/1969	Mikiya	D8/62
4,578,906 A *	4/1986	Appleton	451/355
D298,508 S *	11/1988	Fukuda et al.	D8/62
D301,966 S *	7/1989	Currie	D8/62
D321,464 S *	11/1991	Mikiya	D8/62
D321,465 S *	11/1991	Mikiya	D8/62

D338,382 S *	8/1993	Fukuda et al.	D8/62
D351,544 S *	10/1994	Izumisawa	D8/62
D351,545 S *	10/1994	Izumisawa	D8/62
D357,164 S *	4/1995	Izumisawa	D8/62
D384,870 S *	10/1997	Yamaguchi	D8/62
D491,782 S *	6/2004	Chiba et al.	D8/62

* cited by examiner

Primary Examiner—Cathron Brooks

Assistant Examiner—Austin Murphy

(74) *Attorney, Agent, or Firm*—Wesley W. Muller

(57) **CLAIM**

The ornamental design for a sander, as shown and described.

DESCRIPTION

FIG. 1 is a front perspective view of a sander according to the present invention;

FIG. 2 is a rear view of the sander of FIG. 1;

FIG. 3 is a front view of the sander of FIG. 1;

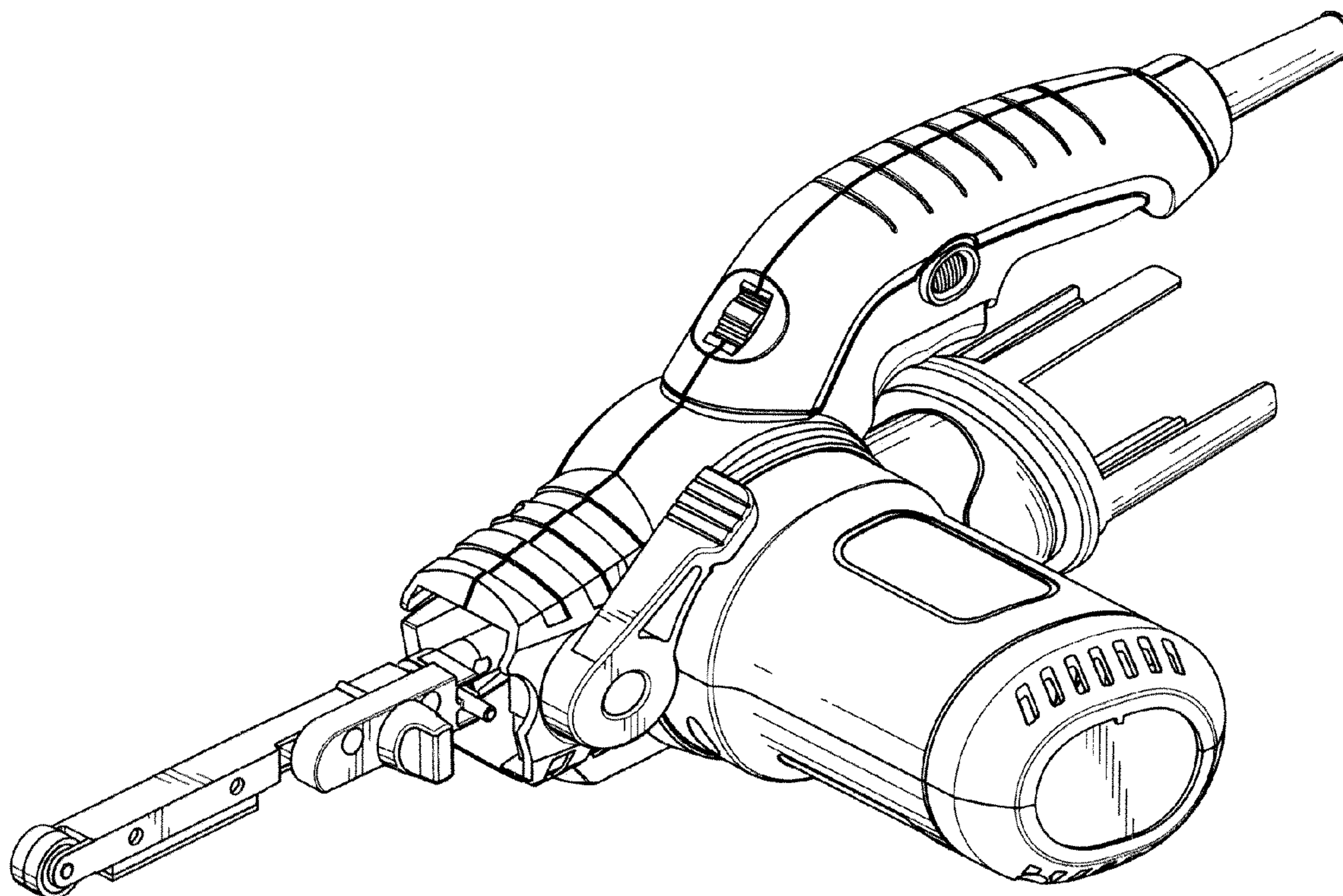
FIG. 4 is a top perspective view of a sander of FIG. 1;

FIG. 5 is a bottom view of the sander of FIG. 1;

FIG. 6 is a right side view of the sander of FIG. 1; and,

FIG. 7 is a left side view of the sander of FIG. 1.

1 Claim, 7 Drawing Sheets



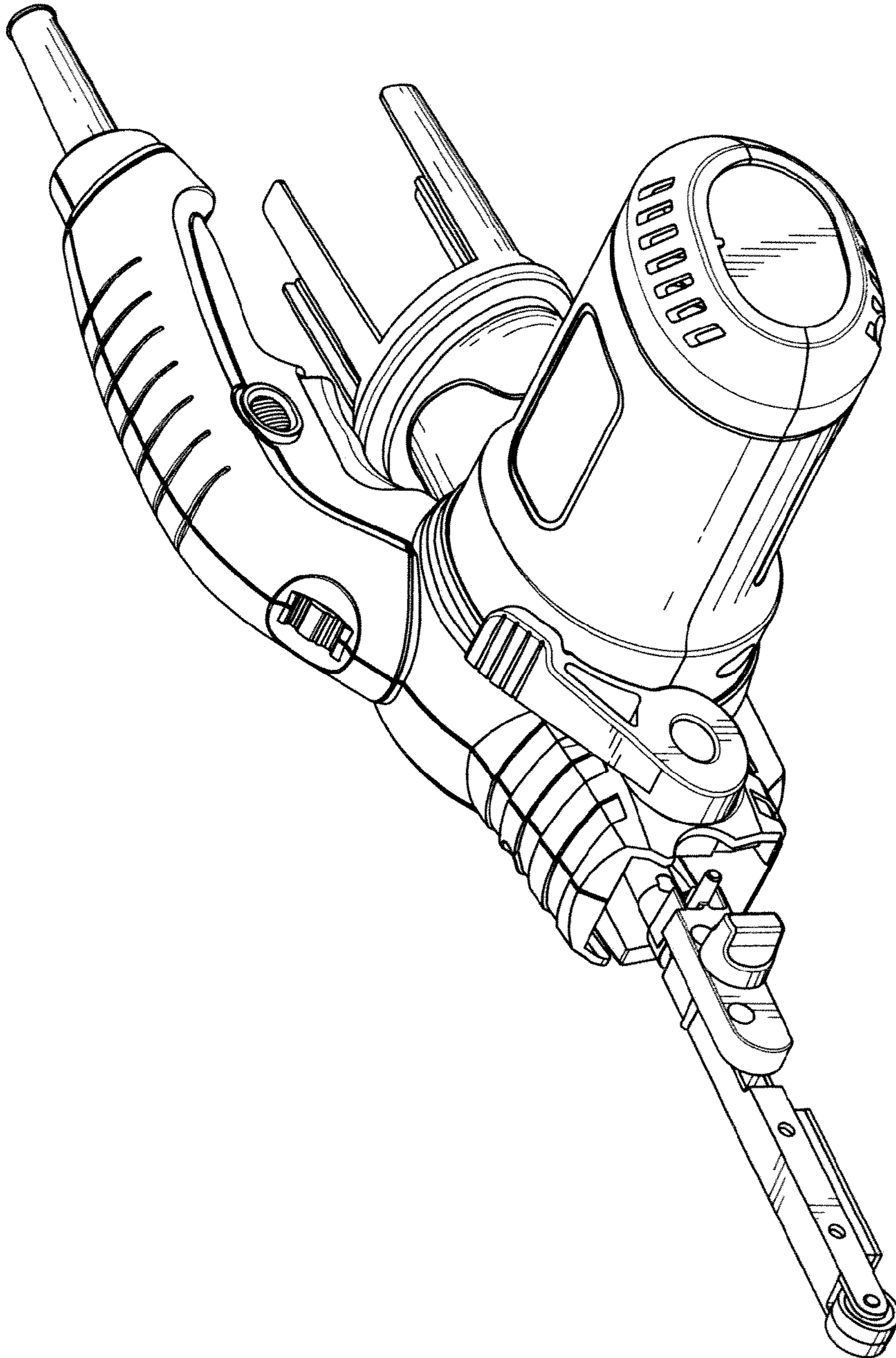


Fig. 1

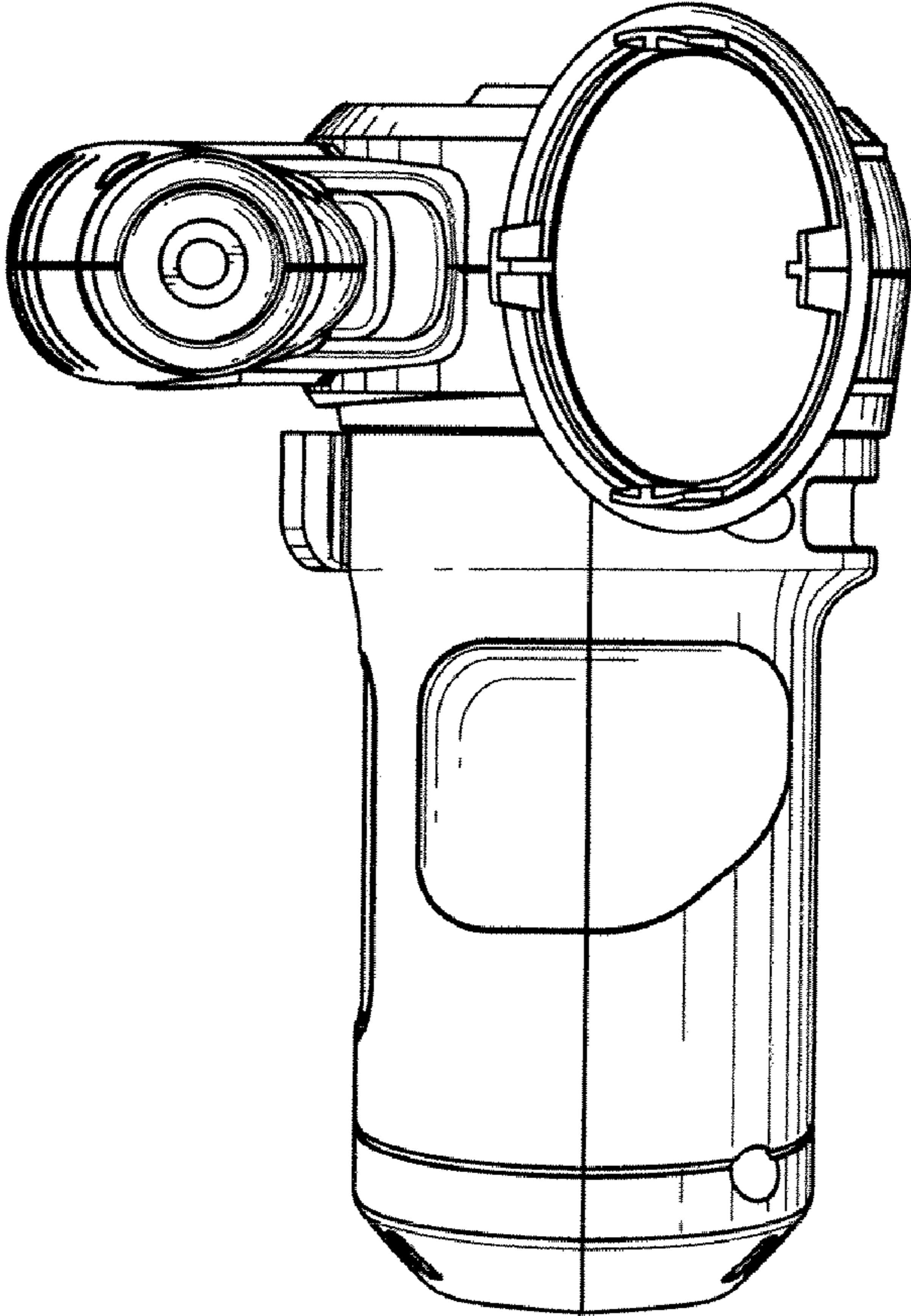


Fig. 2

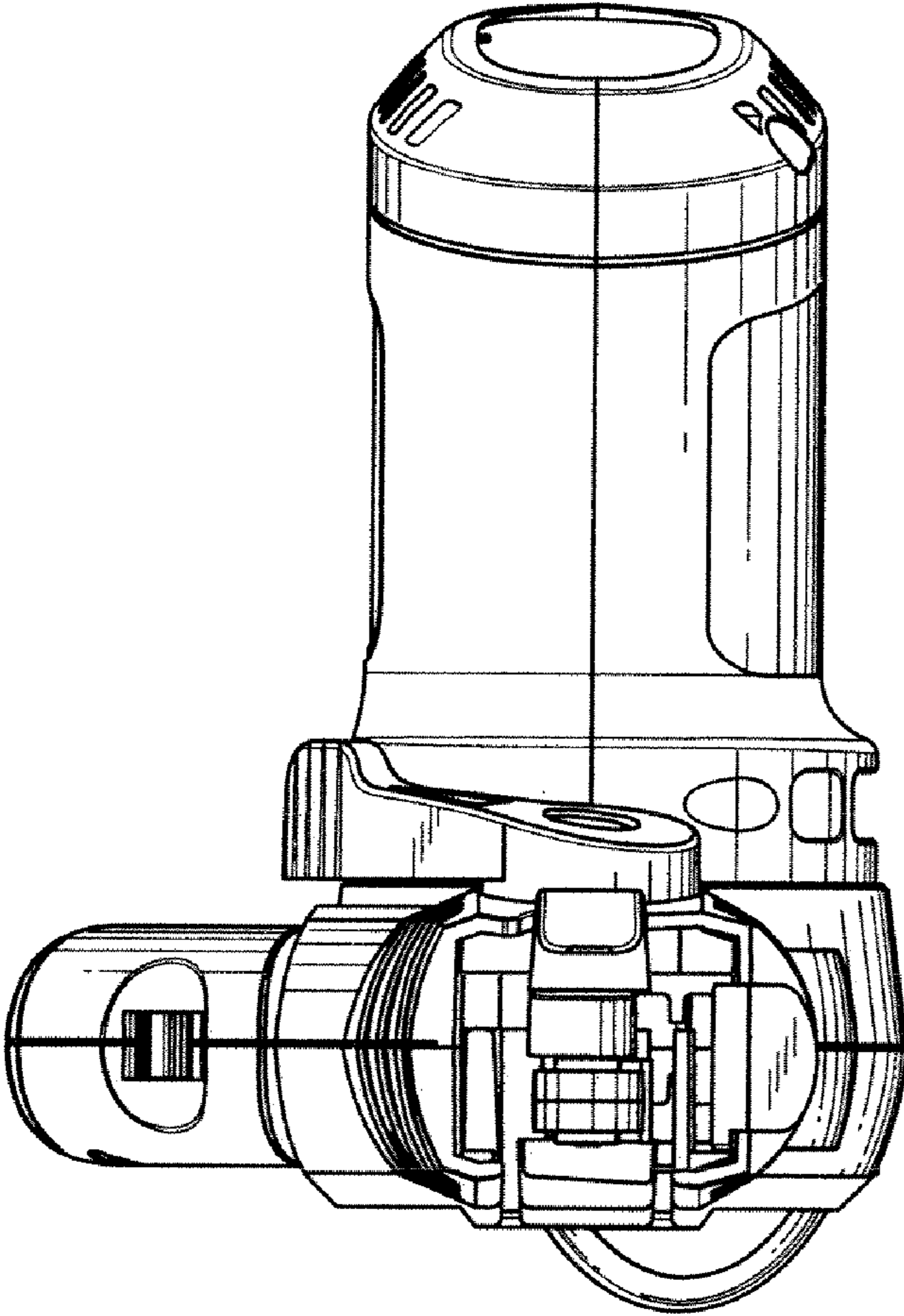


Fig. 3

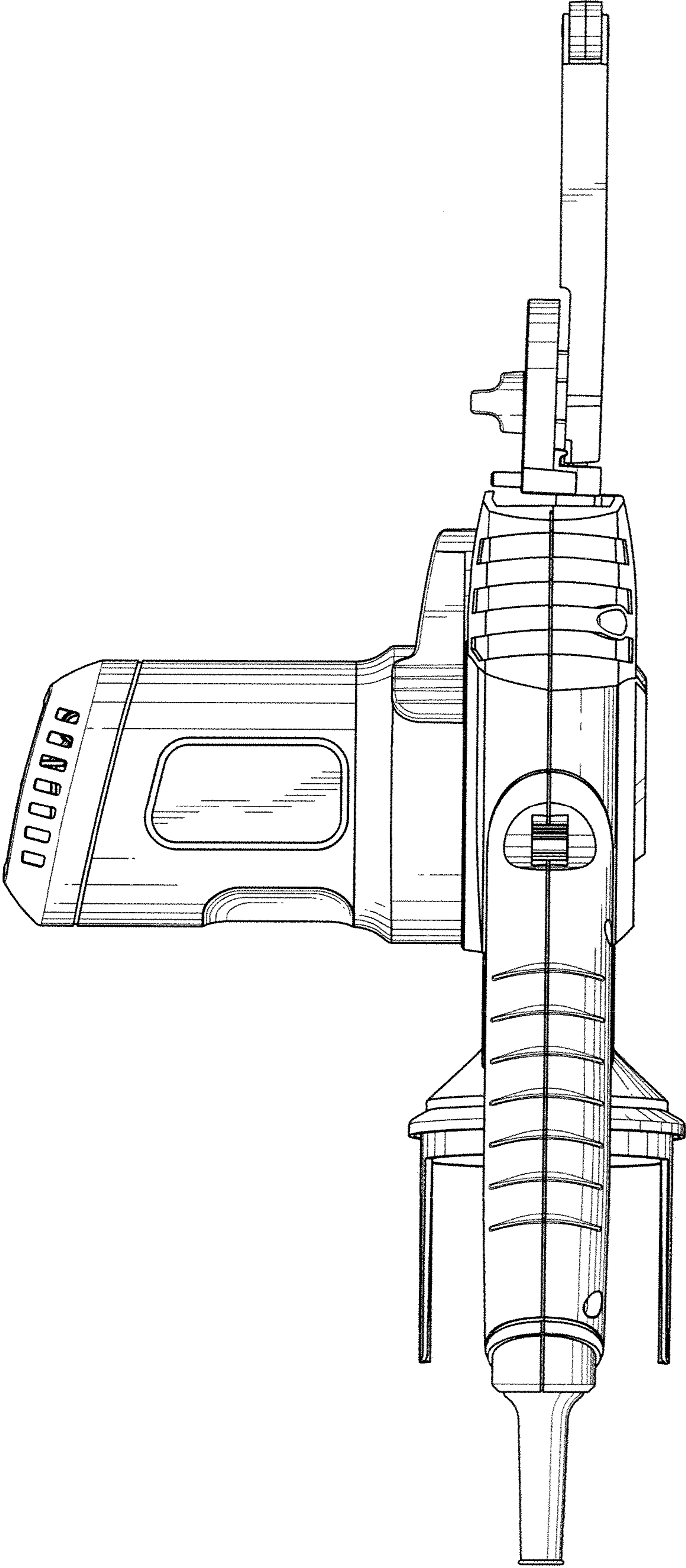


Fig. 4

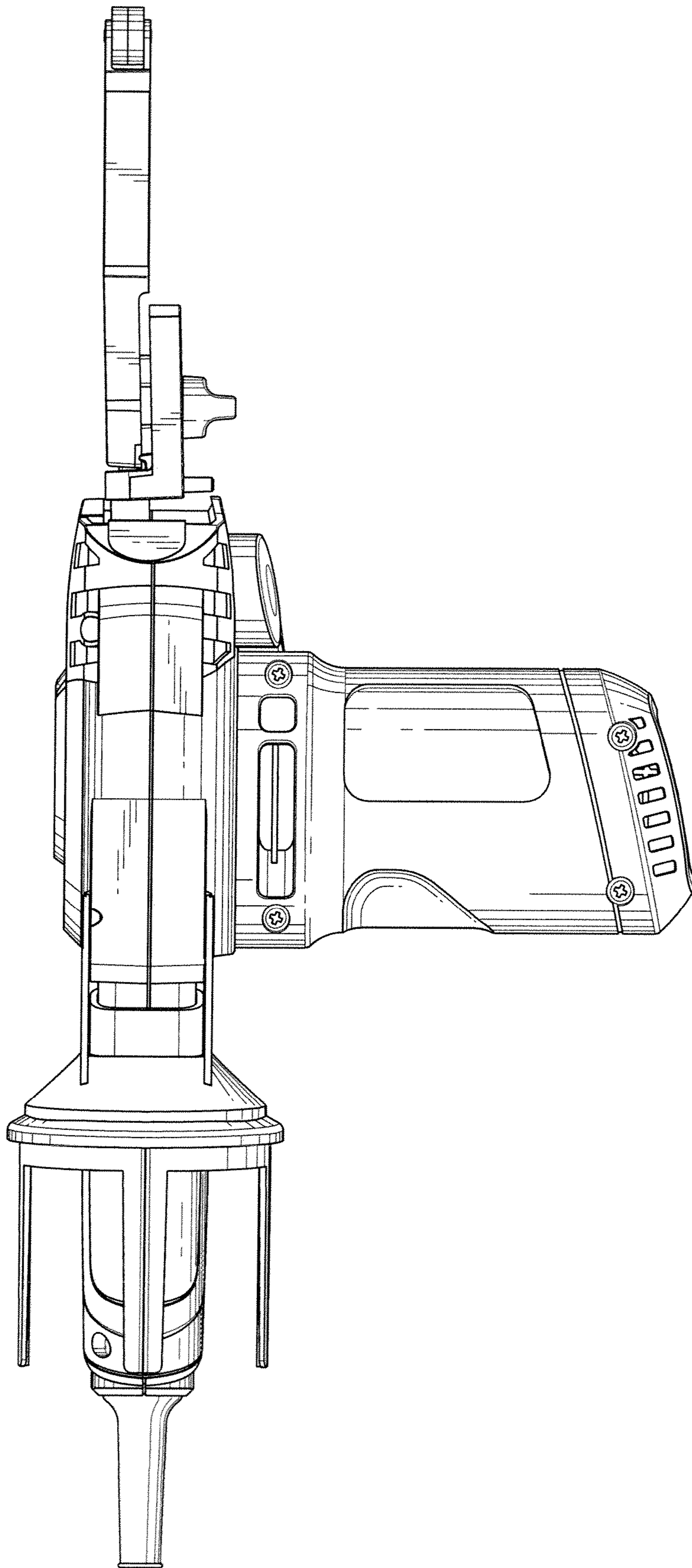


Fig. 5

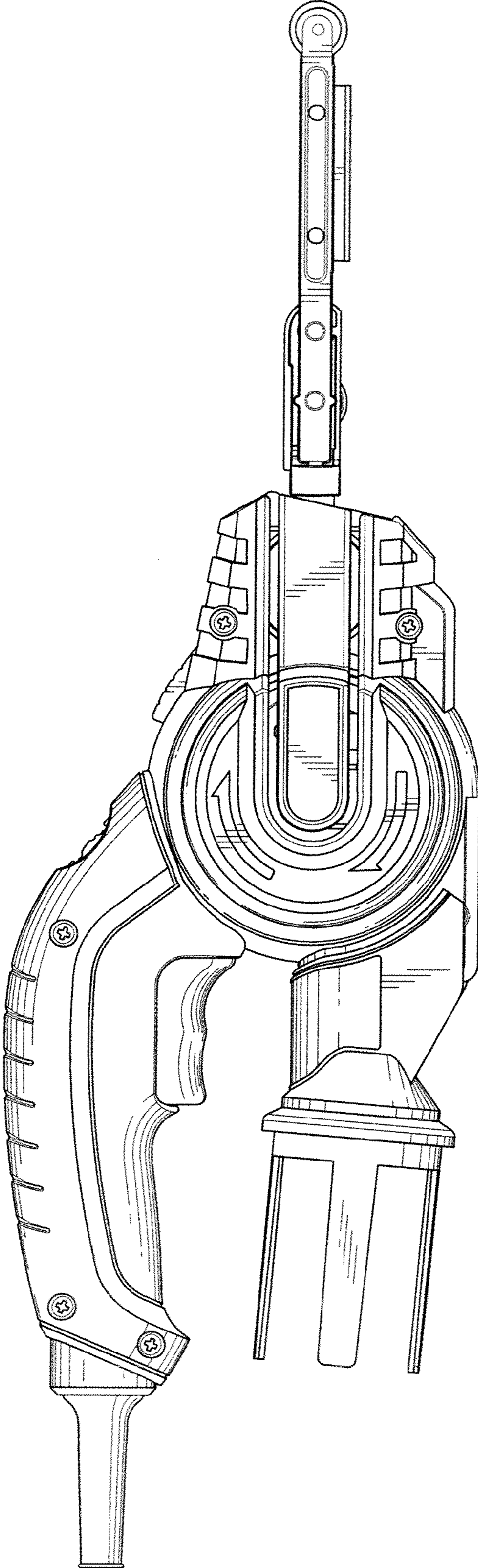


Fig. 6

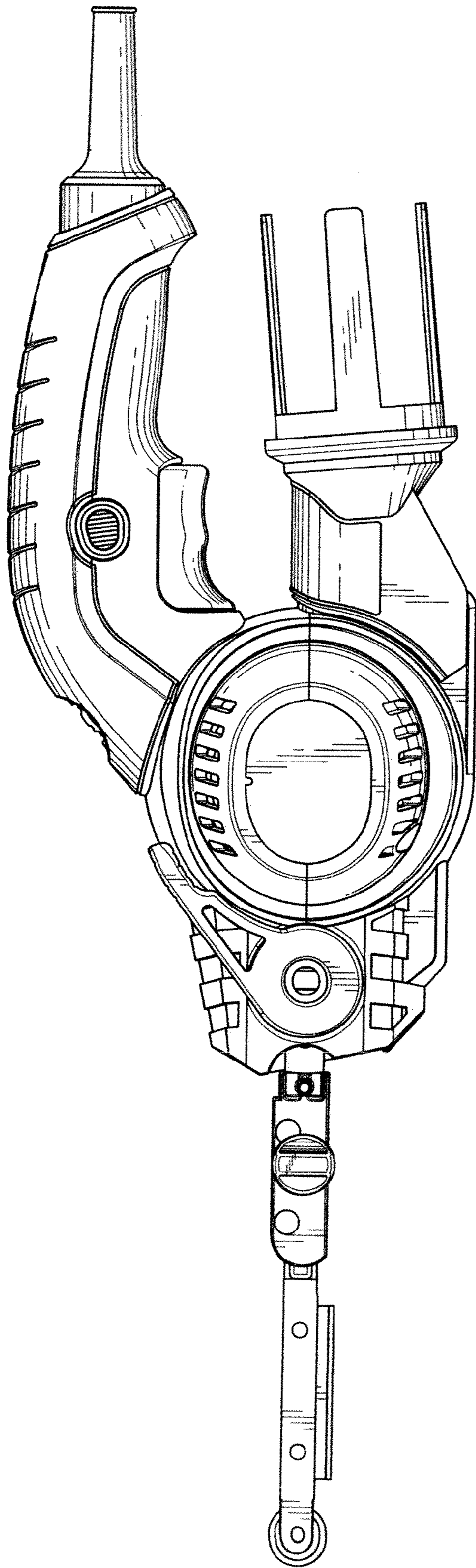


Fig. 7