

US00D570661S

(12) **United States Design Patent**  
**O'Hern**

(10) **Patent No.:** **US D570,661 S**  
(45) **Date of Patent:** **\*\* Jun. 10, 2008**

(54) **BELT SANDER**

(75) Inventor: **Adam M. O'Hern**, Cambridge, MA  
(US)

(73) Assignee: **Black & Decker Inc.**, Newark, DE  
(US)

(\*\*) Term: **14 Years**

(21) Appl. No.: **29/283,762**

(22) Filed: **Aug. 23, 2007**

(51) **LOC (8) Cl.** ..... **08-01**

(52) **U.S. Cl.** ..... **D8/62**

(58) **Field of Classification Search** ..... D8/67,  
D8/62, 61, 68, 70; D15/124, 125; D32/15,  
D32/17, 19; D4/102; 248/671; 451/130,  
451/296, 297, 301, 302, 303, 304, 306, 310,  
451/311, 340, 344, 355, 360, 415, 444; 474/138  
See application file for complete search history.

(56) **References Cited**

**U.S. PATENT DOCUMENTS**

1,523,151	A	1/1925	Wilsbach	
2,617,239	A	11/1952	Steurer	
2,621,453	A	12/1952	Oren	
2,777,330	A	1/1957	Barclay	
2,819,565	A	1/1958	Werth	
3,334,447	A	8/1967	Leveque	
3,359,689	A	12/1967	McCarty et al.	
3,566,548	A	3/1971	Beckering et al.	
3,643,385	A	2/1972	Mikiya	
4,115,957	A	9/1978	Porth et al.	
4,178,723	A	12/1979	Fleckenstein et al.	
4,334,390	A	6/1982	Sumerau	
4,403,454	A	9/1983	Glore et al.	
4,574,531	A	3/1986	McCurry	
4,742,649	A	5/1988	Fuchs	
4,967,513	A	11/1990	Hundebol	
5,094,000	A *	3/1992	Becht et al.	30/475
5,168,658	A	12/1992	Price	
D400,073	S *	10/1998	Hara	D8/62

6,159,085	A *	12/2000	Hara	451/451
6,174,226	B1	1/2001	Frech et al.	
6,419,569	B1	7/2002	Frech et al.	
6,475,075	B1	11/2002	Wuensch	
D478,261	S *	8/2003	Sham	D8/62
6,688,349	B2 *	2/2004	Razlan et al.	144/154.5
D492,563	S *	7/2004	Wright	D8/62
D497,298	S *	10/2004	Tillman et al.	D8/62
D502,072	S *	2/2005	Wright	D8/62
D503,600	S *	4/2005	Bian	D8/62
D508,833	S *	8/2005	Brazell et al.	D8/62
D509,117	S *	9/2005	Tillman et al.	D8/62

(Continued)

**FOREIGN PATENT DOCUMENTS**

DE	3117785	A1	11/1982
EP	0168299	A1	6/1985
EP	0573826	A1	12/1993

*Primary Examiner*—Cathron Brooks  
*Assistant Examiner*—Austin Murphy  
(74) *Attorney, Agent, or Firm*—Wesley W. Muller

(57) **CLAIM**

The ornamental design for a belt sander, as shown and described.

**DESCRIPTION**

FIG. 1 is a left perspective view of a belt sander according to the present invention;

FIG. 2 is a front view of the belt sander of FIG. 1;

FIG. 3 is a rear view of the belt sander of FIG. 1;

FIG. 4 is a right side view of the belt sander of FIG. 1;

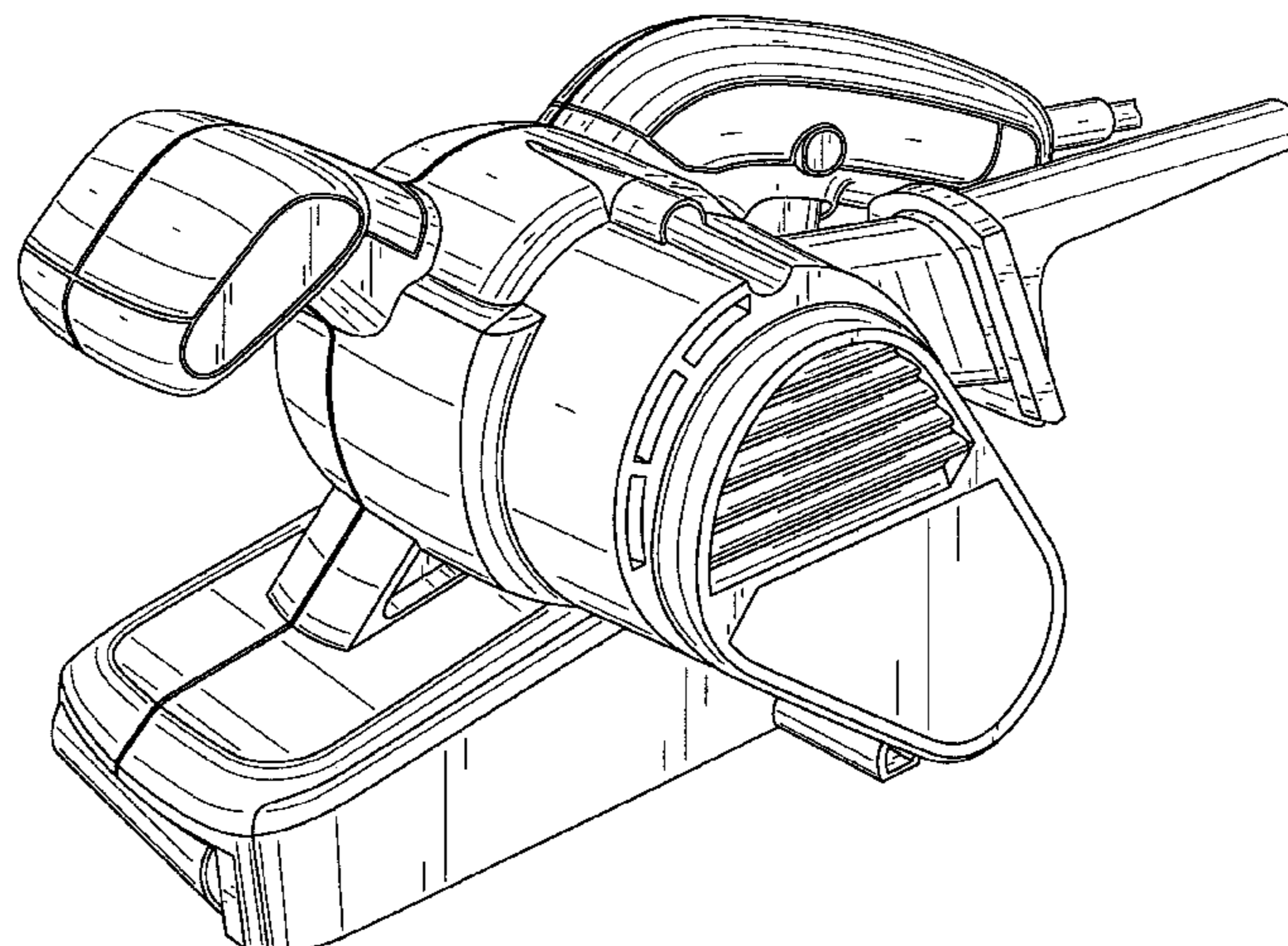
FIG. 5 is a left side view of the belt sander of FIG. 1;

FIG. 6 is a top view of the belt sander of FIG. 1; and,

FIG. 7 is a bottom view of the belt sander of FIG. 1.

The broken lines shown in the drawings form no part of the claimed design.

**1 Claim, 6 Drawing Sheets**



# US D570,661 S

Page 2

---

## U.S. PATENT DOCUMENTS

D509,721 S *	9/2005	Park .....	D8/62	D528,388 S *	9/2006	Andriolo et al. ....	D8/62
D512,619 S *	12/2005	Aglassinger .....	D8/62	D529,357 S *	10/2006	Qiu .....	D8/62
7,018,280 B2	3/2006	Walker		7,226,346 B2	6/2007	Walker et al.	
D520,317 S *	5/2006	Robson .....	D8/62	2001/0014577 A1	8/2001	French et al.	
D525,841 S *	8/2006	Lind et al. ....	D8/62	2003/0168122 A1*	9/2003	Razlan et al. ....	144/154.5
				2005/0034782 A1*	2/2005	Park et al. ....	144/154.5

\* cited by examiner

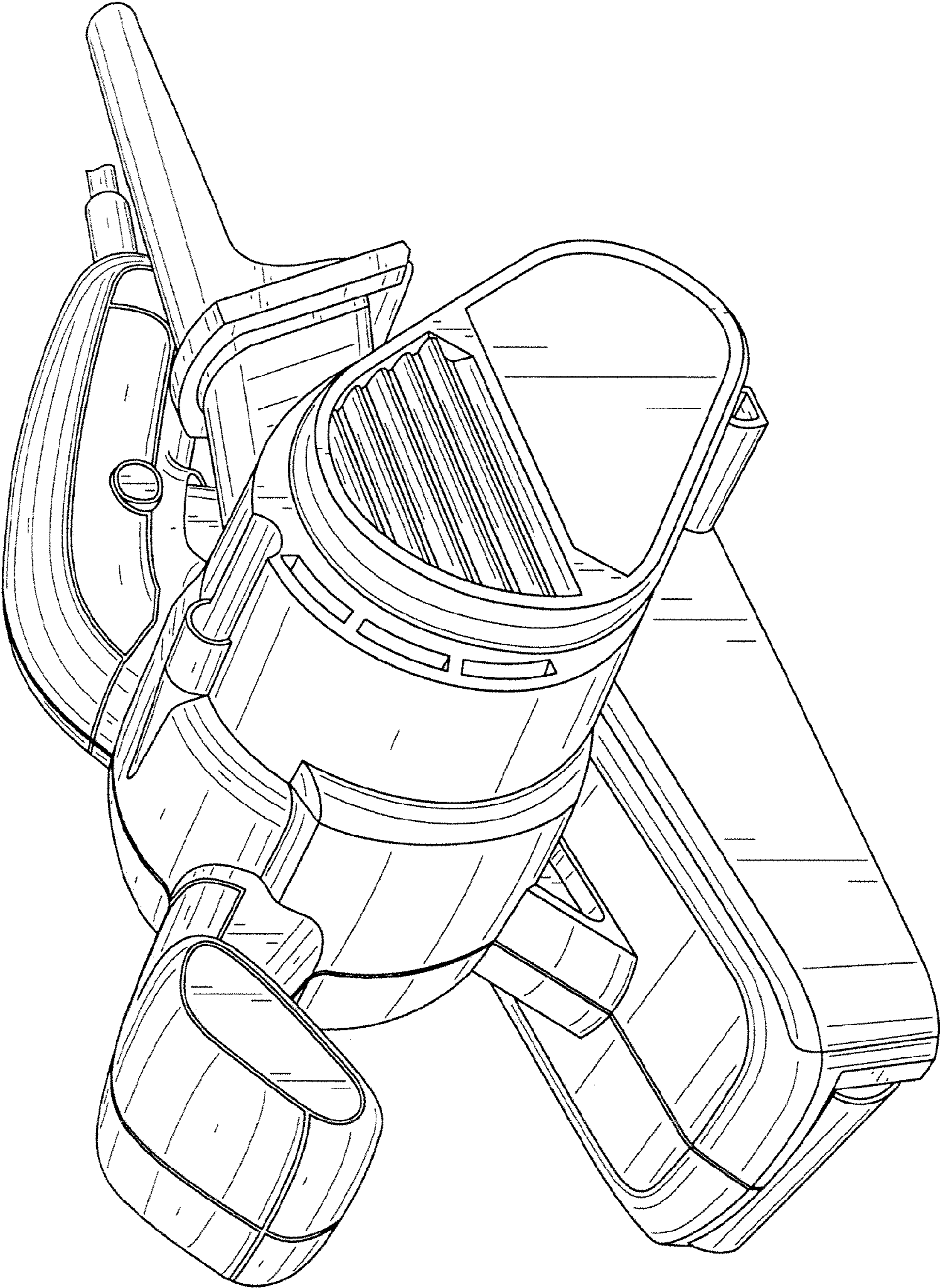


FIG. 1



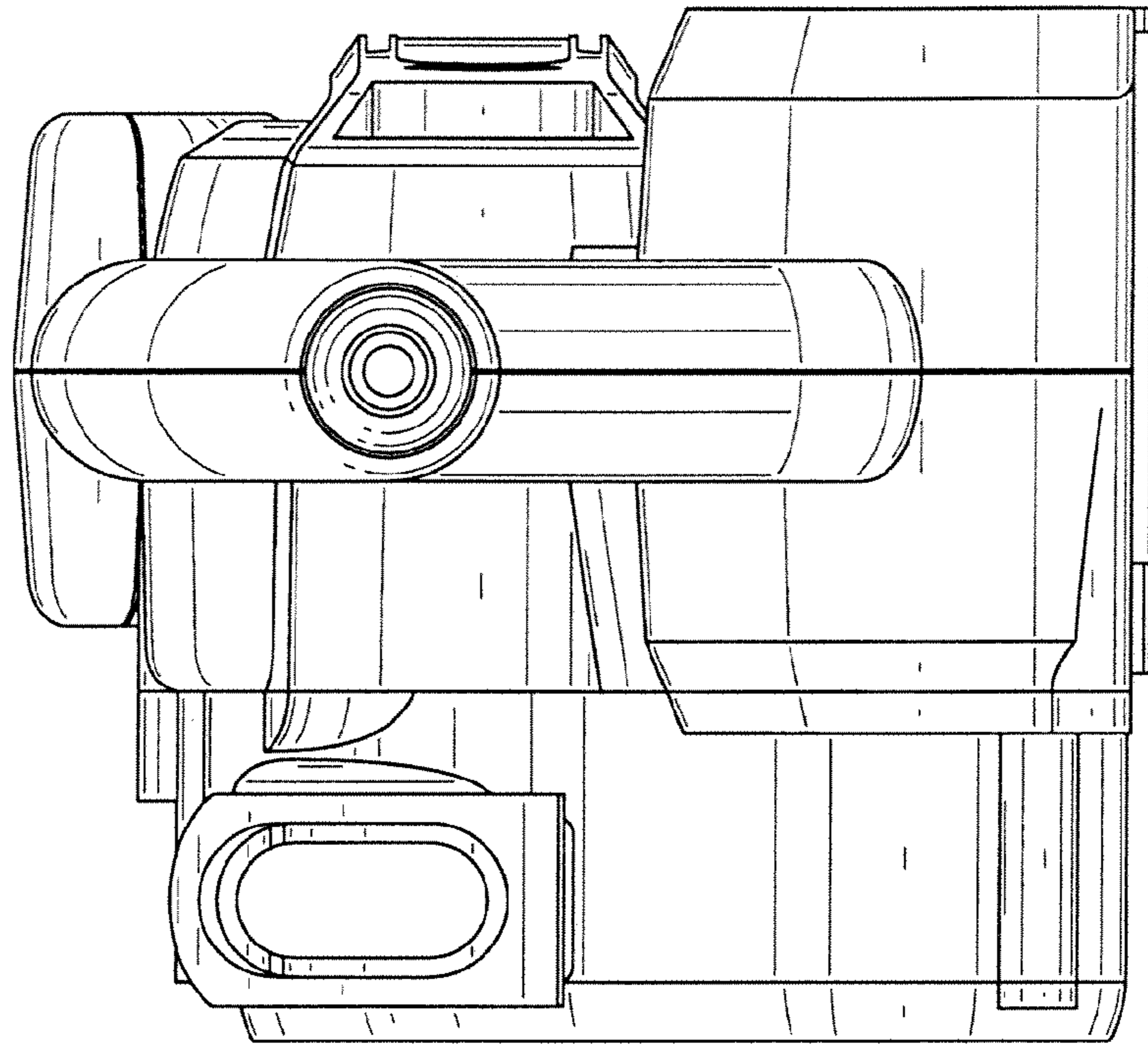


FIG. 3

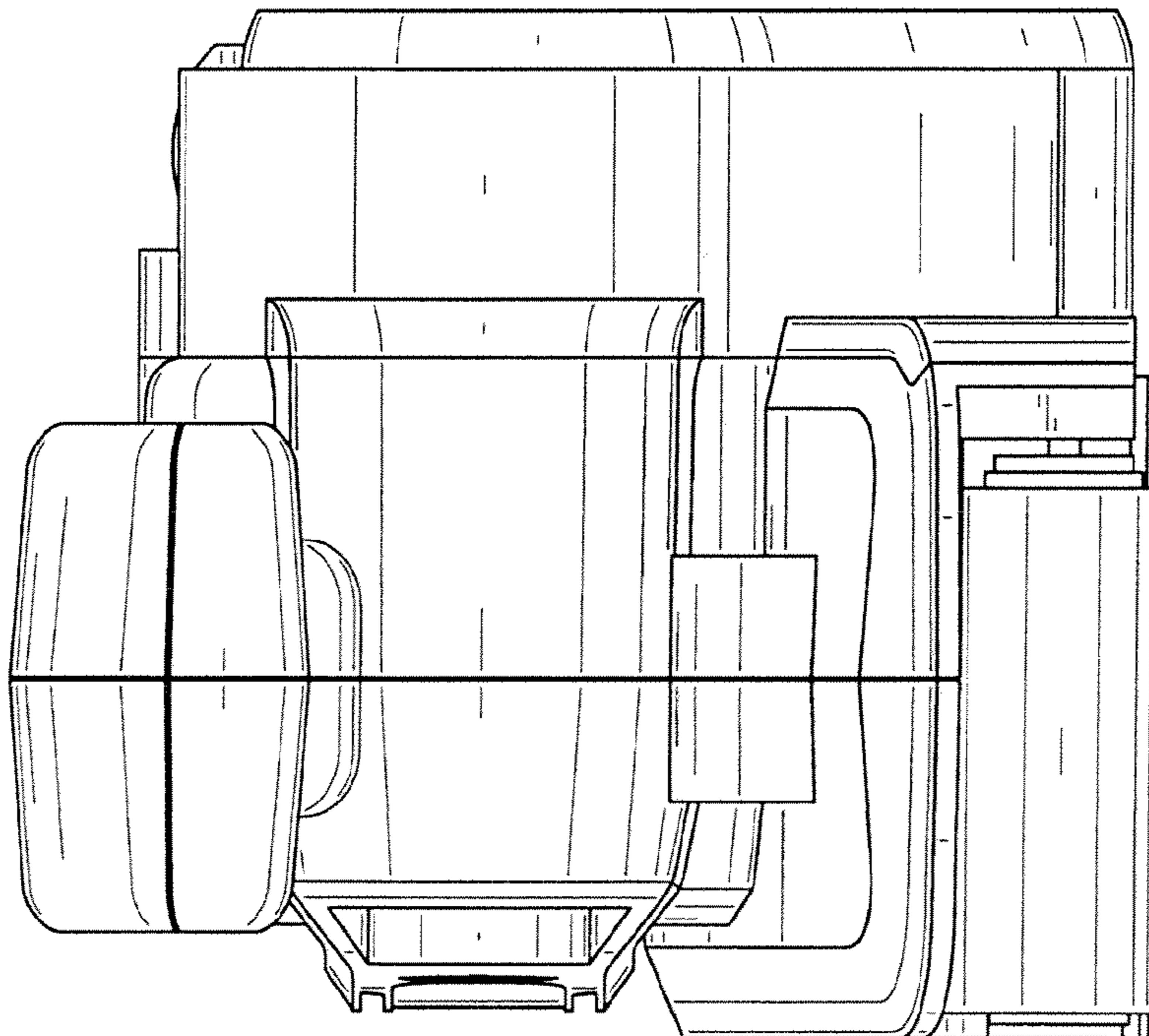


FIG. 2

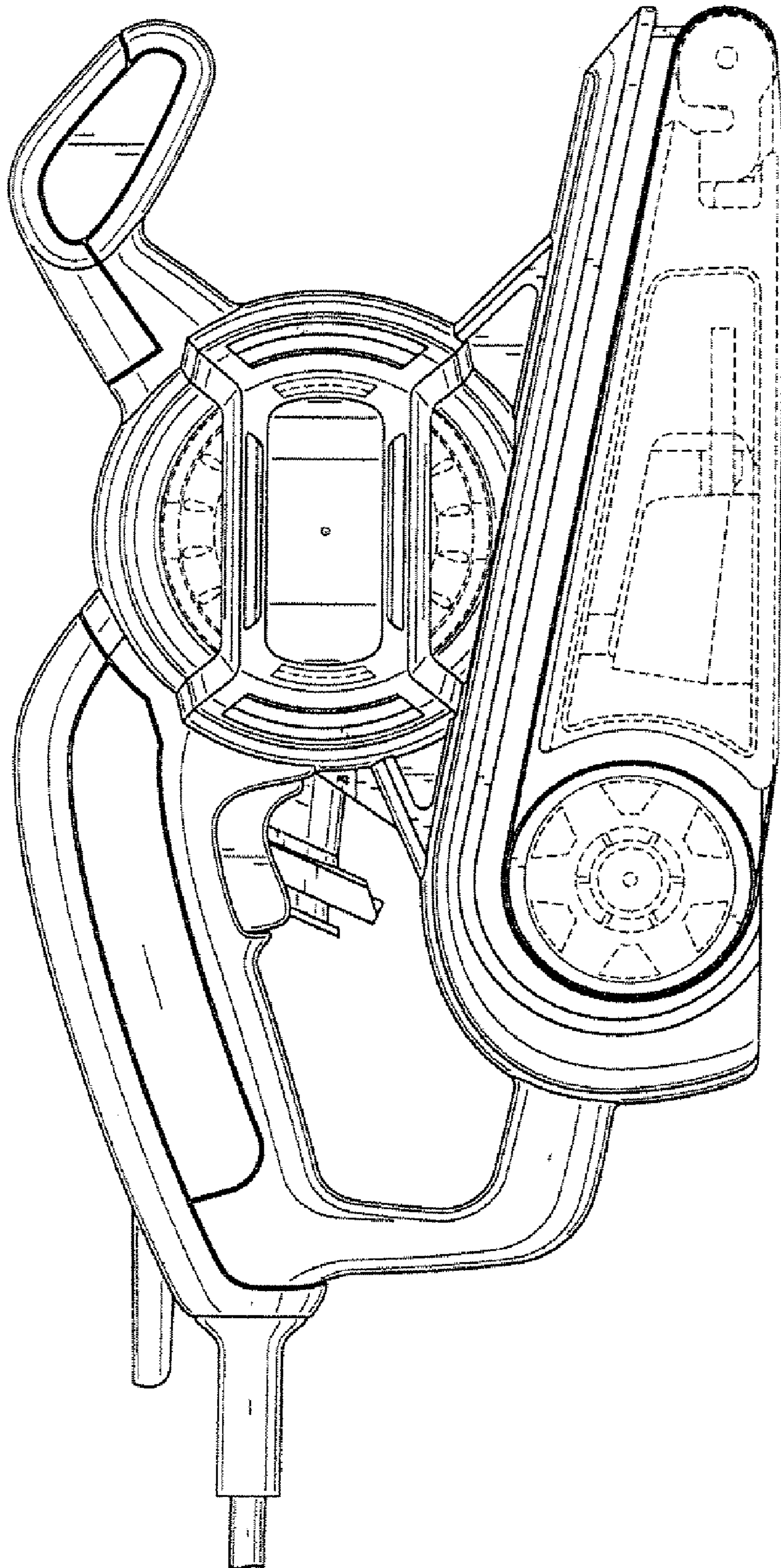


FIG. 4



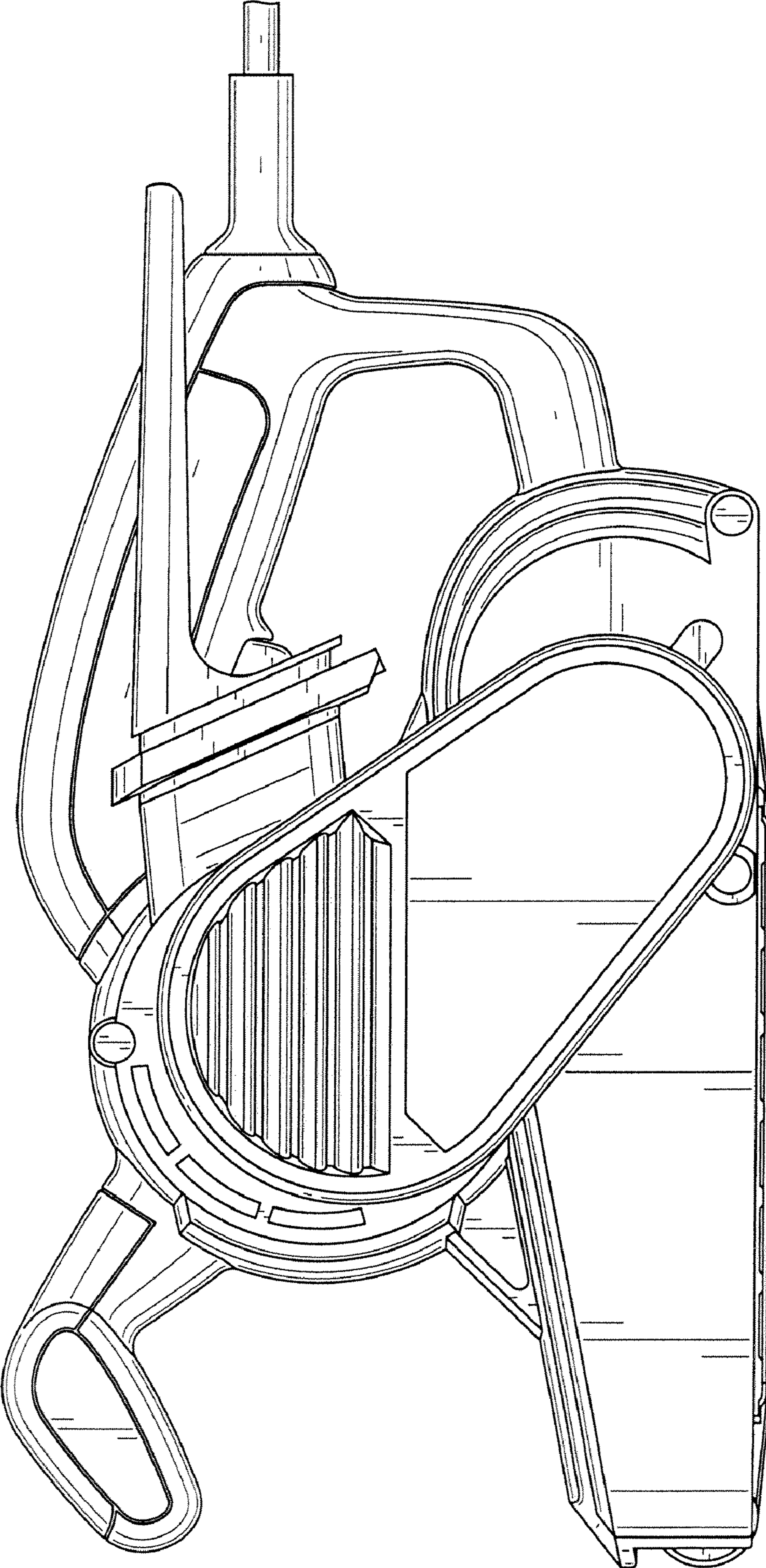


FIG. 5

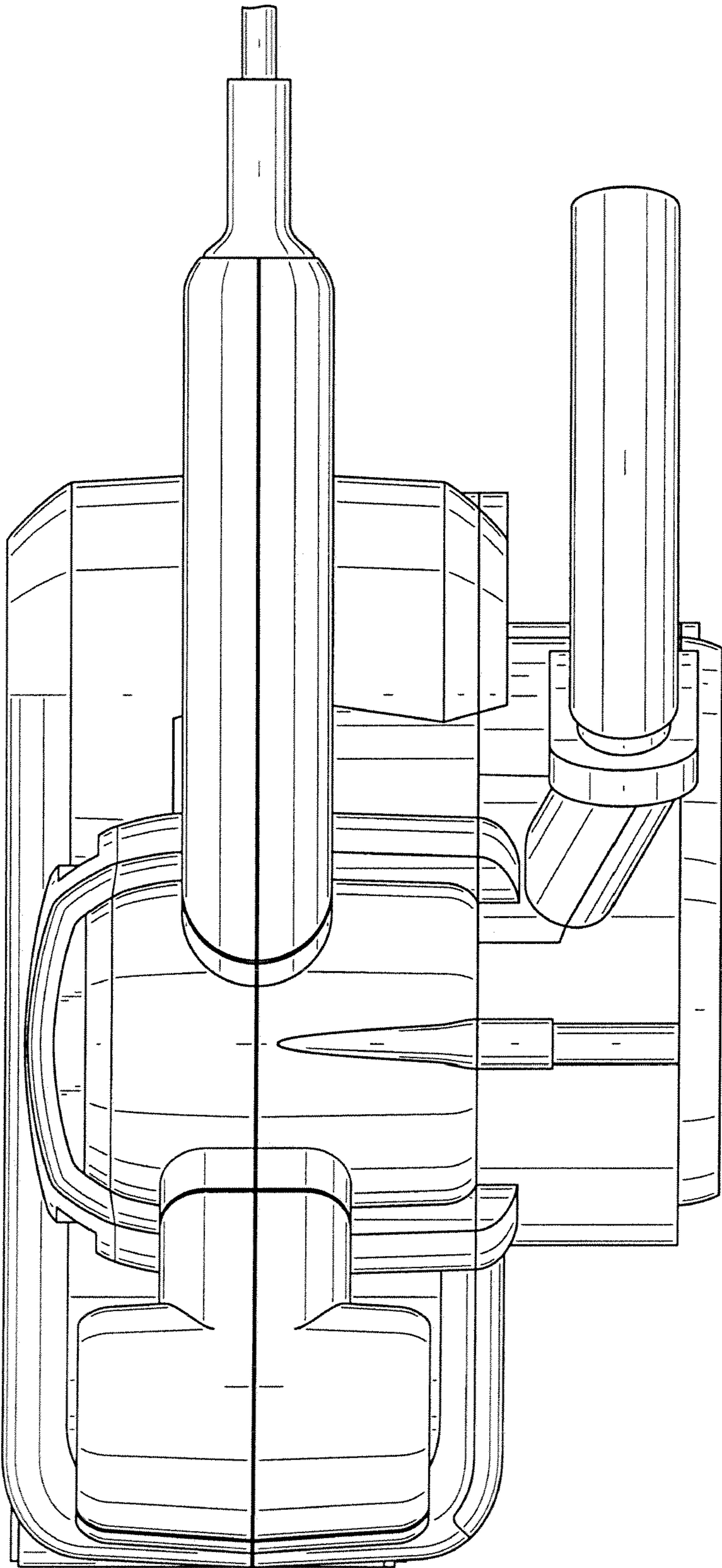


FIG. 6

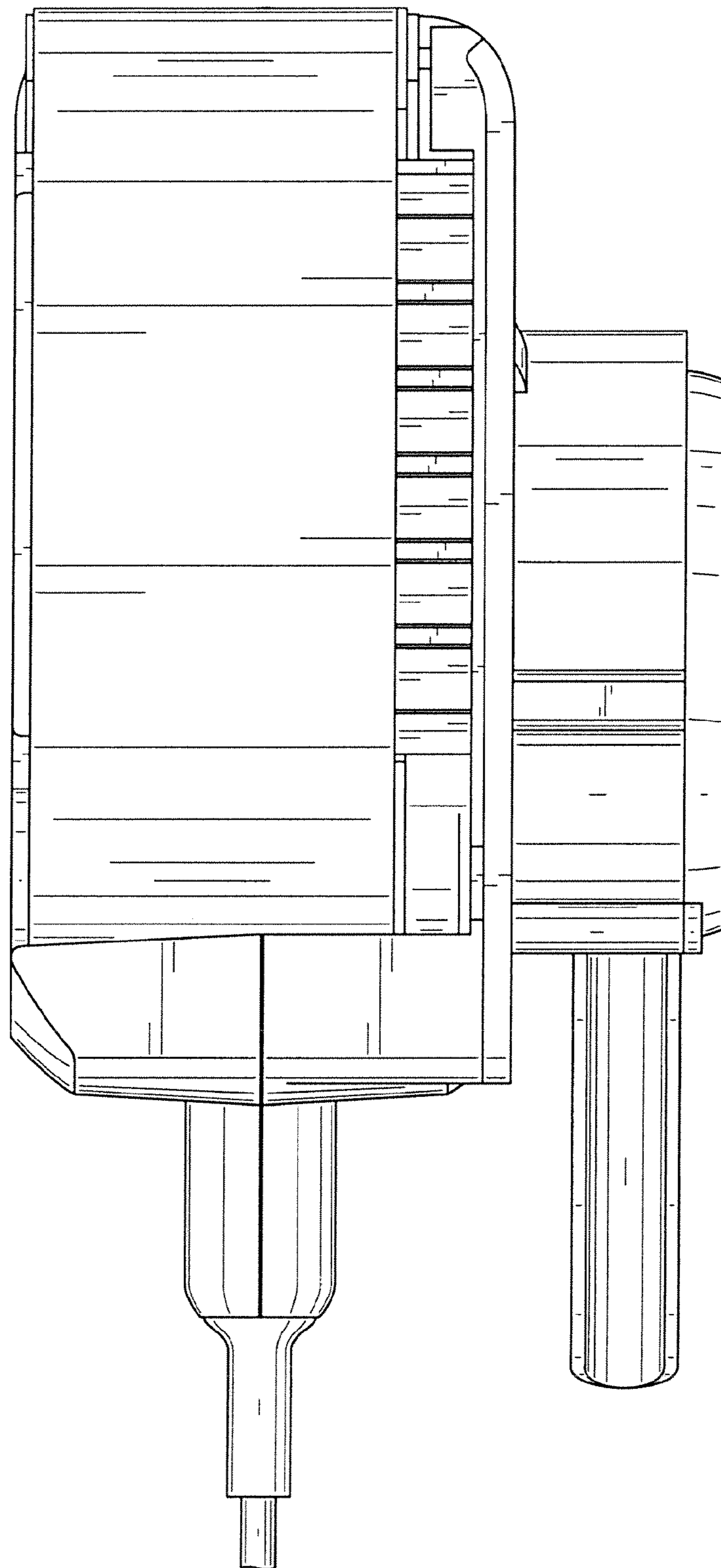


FIG. 7