

US00D570658S

(12) **United States Design Patent**
Degen

(10) **Patent No.:** **US D570,658 S**
(45) **Date of Patent:** **** Jun. 10, 2008**

(54) **RATCHET BAND CLAMP**

(75) Inventor: **Klemens Degen**, Weibern (DE)

(73) Assignee: **Wolfcraft GmbH** (DE)

(**) Term: **14 Years**

(21) Appl. No.: **29/272,693**

(22) Filed: **Feb. 15, 2007**

(30) **Foreign Application Priority Data**

Aug. 24, 2006 (EM) 000580626

(51) **LOC (8) Cl.** **08-05**

(52) **U.S. Cl.** **D8/44**

(58) **Field of Classification Search** D8/14,
D8/44, 51, 356, 383; 254/218, 247, 223;
410/100, 151; 24/68 CD, 68 R, 71.2
See application file for complete search history.

(56) **References Cited**

U.S. PATENT DOCUMENTS

- 4,227,286 A * 10/1980 Holmberg 24/68 CD
- D266,828 S * 11/1982 Prete, Jr. D8/383
- D328,840 S * 8/1992 Jensen D8/44
- 5,282,296 A * 2/1994 Huang 24/68 CD
- 5,369,848 A * 12/1994 Huang 24/68 CD
- 6,007,053 A 12/1999 Huang
- 6,609,275 B1 * 8/2003 Lin 24/68 CD
- 6,648,301 B2 * 11/2003 Lee 254/218

- 6,654,987 B1 * 12/2003 Wu 24/68 CD
- D505,849 S * 6/2005 Degen D8/44
- 7,296,326 B2 * 11/2007 Madachy et al. 24/68 CD
- 2003/0059269 A1 3/2003 Bosley
- 2003/0145434 A1 8/2003 Lin

FOREIGN PATENT DOCUMENTS

- DE 202 19 239 4/2003
- NL 1017968 1/2003

* cited by examiner

Primary Examiner—Philip S Hyder

(74) *Attorney, Agent, or Firm*—Bell, Boyd & Lloyd LLP

(57) **CLAIM**

I claim the ornamental design for the ratchet band clamp, as shown and described.

DESCRIPTION

FIG. 1 is a front view of a ratchet band clamp of the claimed design.

FIG. 2 is a top view of the ratchet band clamp.

FIG. 3 is a rear view of the ratchet band clamp.

FIG. 4 is a bottom view of the ratchet band clamp.

FIG. 5 is a right side view of the ratchet band clamp.

FIG. 6 is a left side view of the ratchet band clamp; and,

FIG. 7 is a perspective view of the ratchet band clamp.

1 Claim, 4 Drawing Sheets

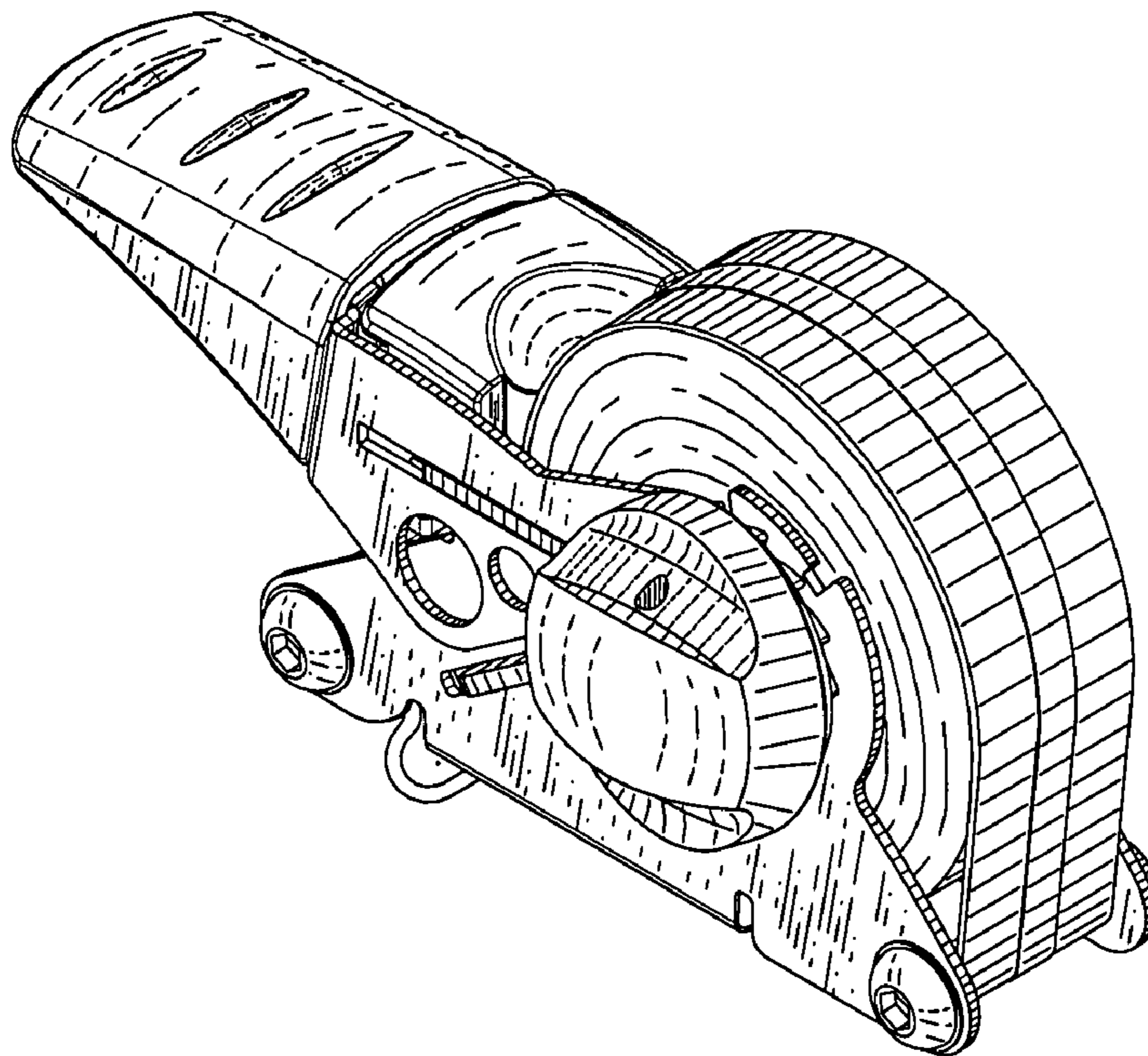


Fig. 1

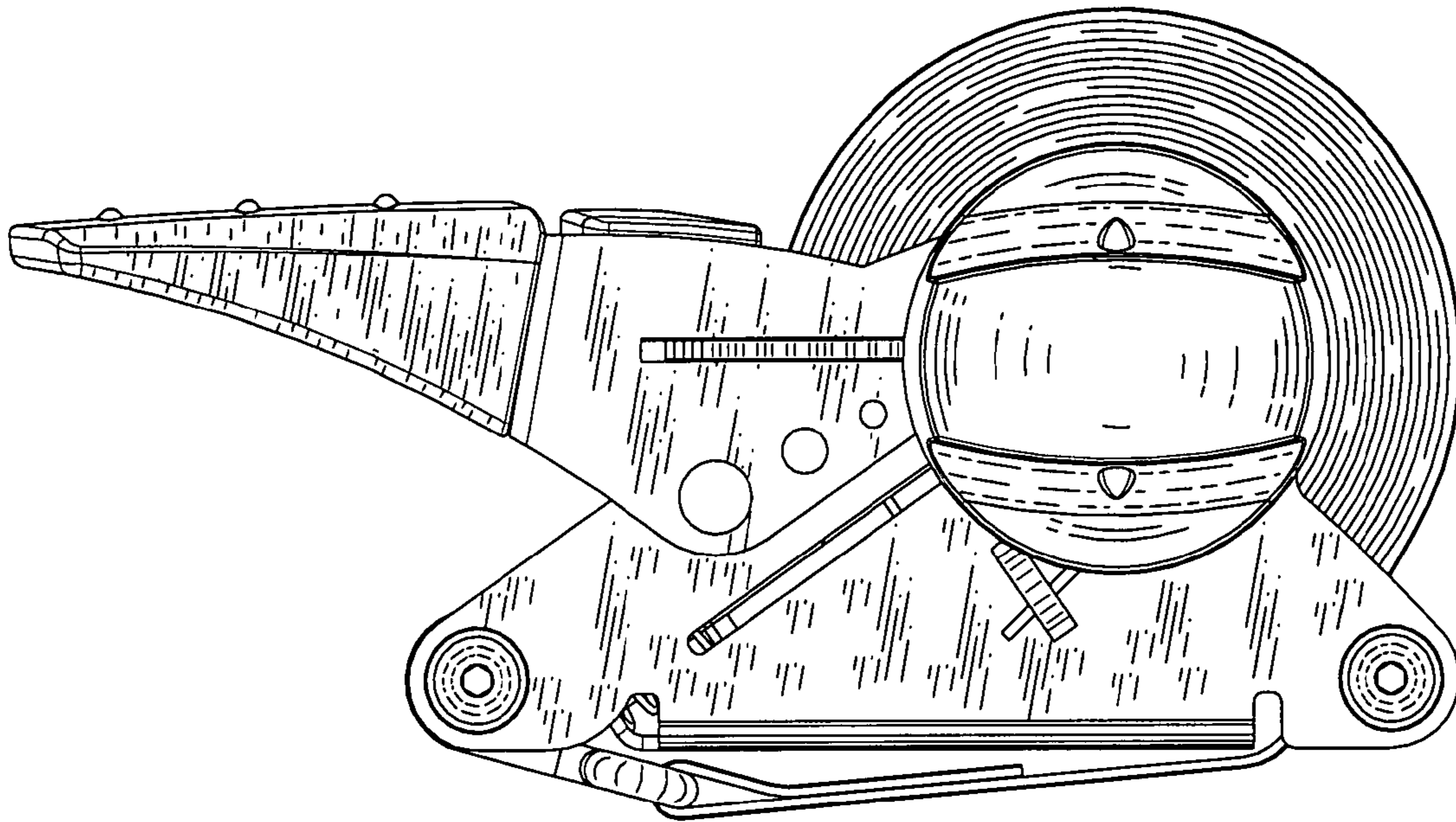


Fig. 2

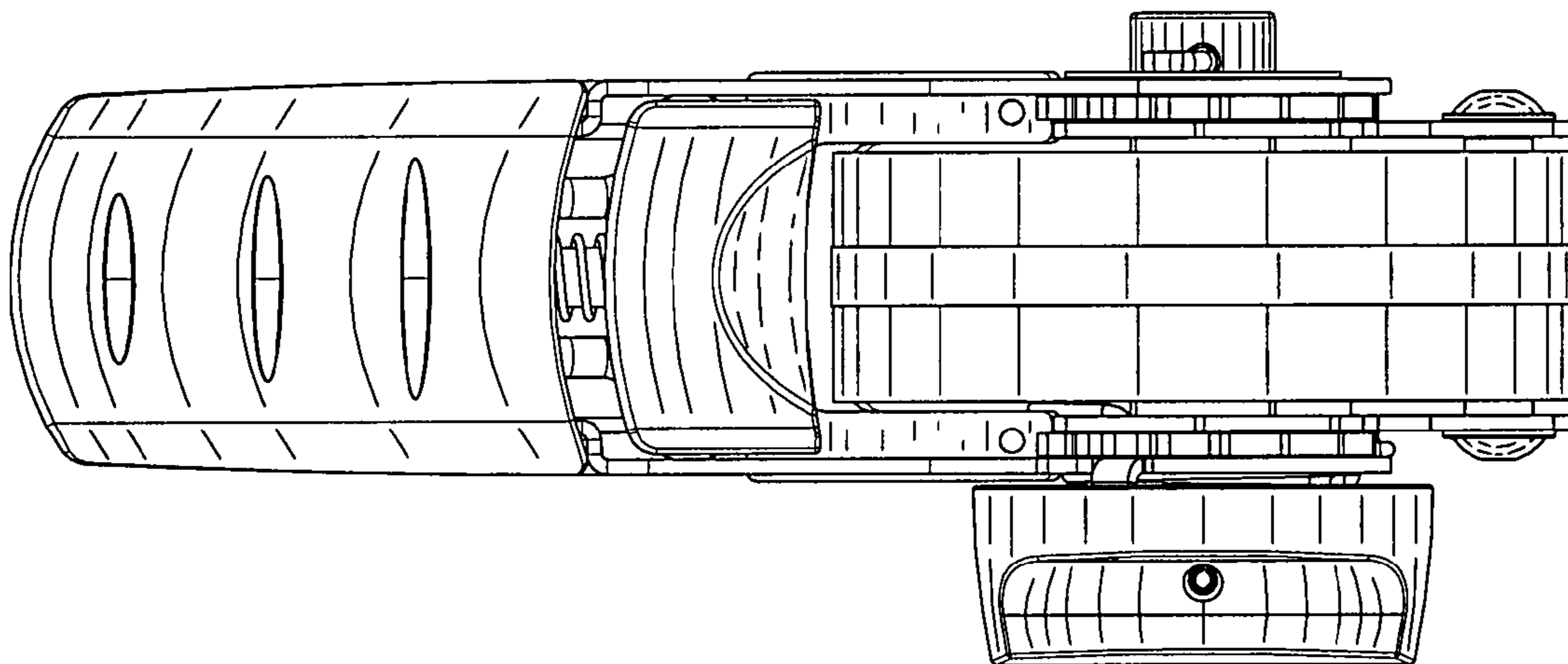


Fig. 3

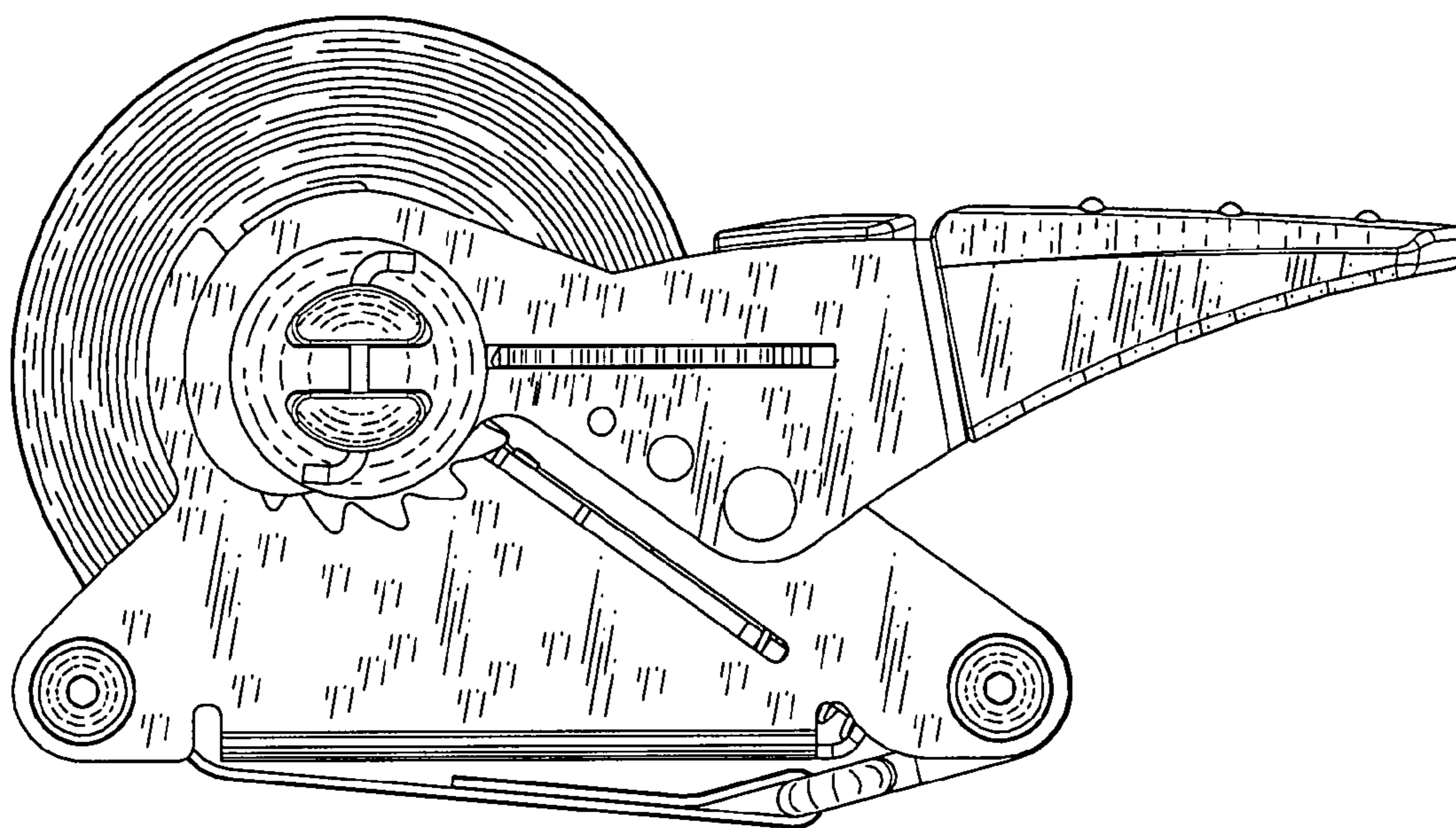


Fig. 4

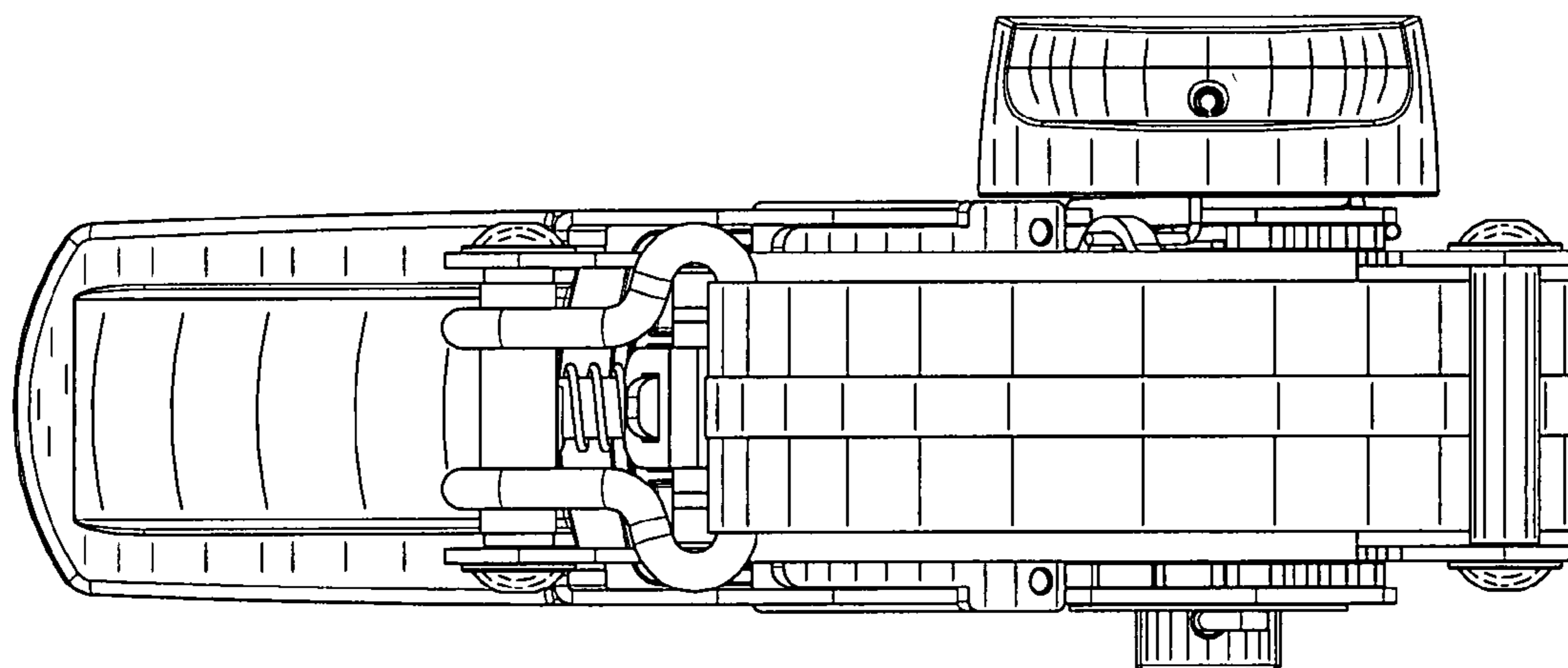


Fig. 5

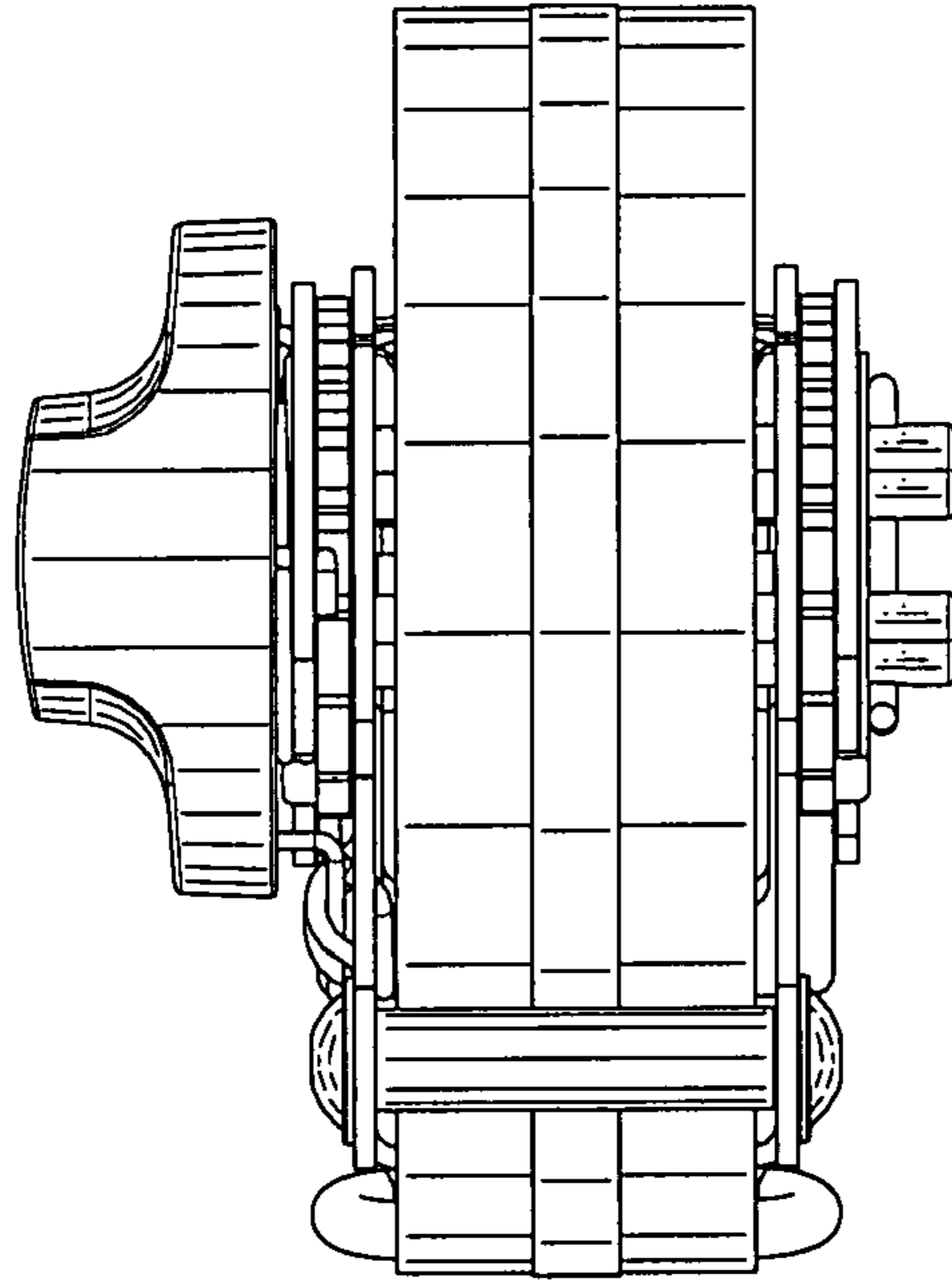


Fig. 6

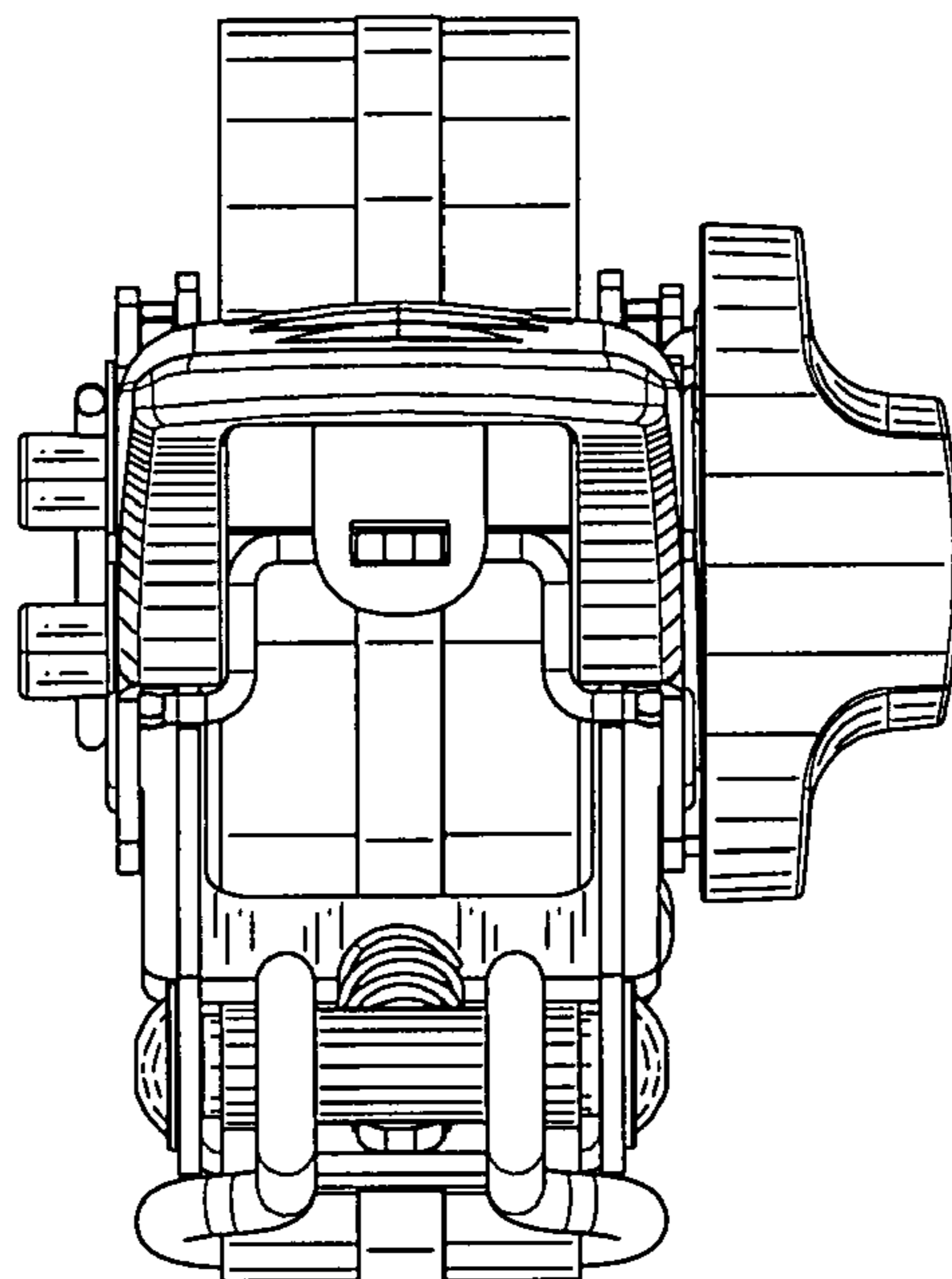


Fig. 7

