



US00D570655S

(12) **United States Design Patent**
Meagher et al.

(10) **Patent No.:** **US D570,655 S**

(45) **Date of Patent:** **** Jun. 10, 2008**

(54) **RAM**

(75) Inventors: **Paul J. Meagher**, Chicago, IL (US);
Brian L. Papacek, Elmwood Park, IL (US)

(73) Assignee: **Knock Knock, Inc.**, Westchester, IL (US)

(**) Term: **14 Years**

(21) Appl. No.: **29/280,083**

(22) Filed: **May 16, 2007**

(51) **LOC (8) Cl.** **08-05**

(52) **U.S. Cl.** **D8/14; D8/75**

(58) **Field of Classification Search** D8/14,
D8/75, 76, 77; 29/254; D22/117; 173/90
See application file for complete search history.

(56) **References Cited**

U.S. PATENT DOCUMENTS

4,681,171	A *	7/1987	Kee et al.	173/90
D305,718	S *	1/1990	Ashcraft	D8/14
5,067,237	A *	11/1991	Holder	30/1
5,177,850	A *	1/1993	Hull et al.	29/254
5,329,685	A *	7/1994	Gillespie	29/254

OTHER PUBLICATIONS

Cobra Battering Ram, www.finnrappel.fi/entrytools.htm, undated, found Apr. 2008.*

* cited by examiner

Primary Examiner—Philip S Hyder

(74) *Attorney, Agent, or Firm*—Grant E. Coffield; Eckert Seamans Cherin & Mellott, LLC

(57) **CLAIM**

The ornamental design for a ram, as shown and described.

DESCRIPTION

FIG. 1 is an isometric view of a ram in accordance with an embodiment of the invention;

FIG. 2 is a right side elevation view of the ram of FIG. 1;

FIG. 3 is a left side elevation view of the ram of FIG. 1;

FIG. 4 is a top plan view of the ram of FIG. 1;

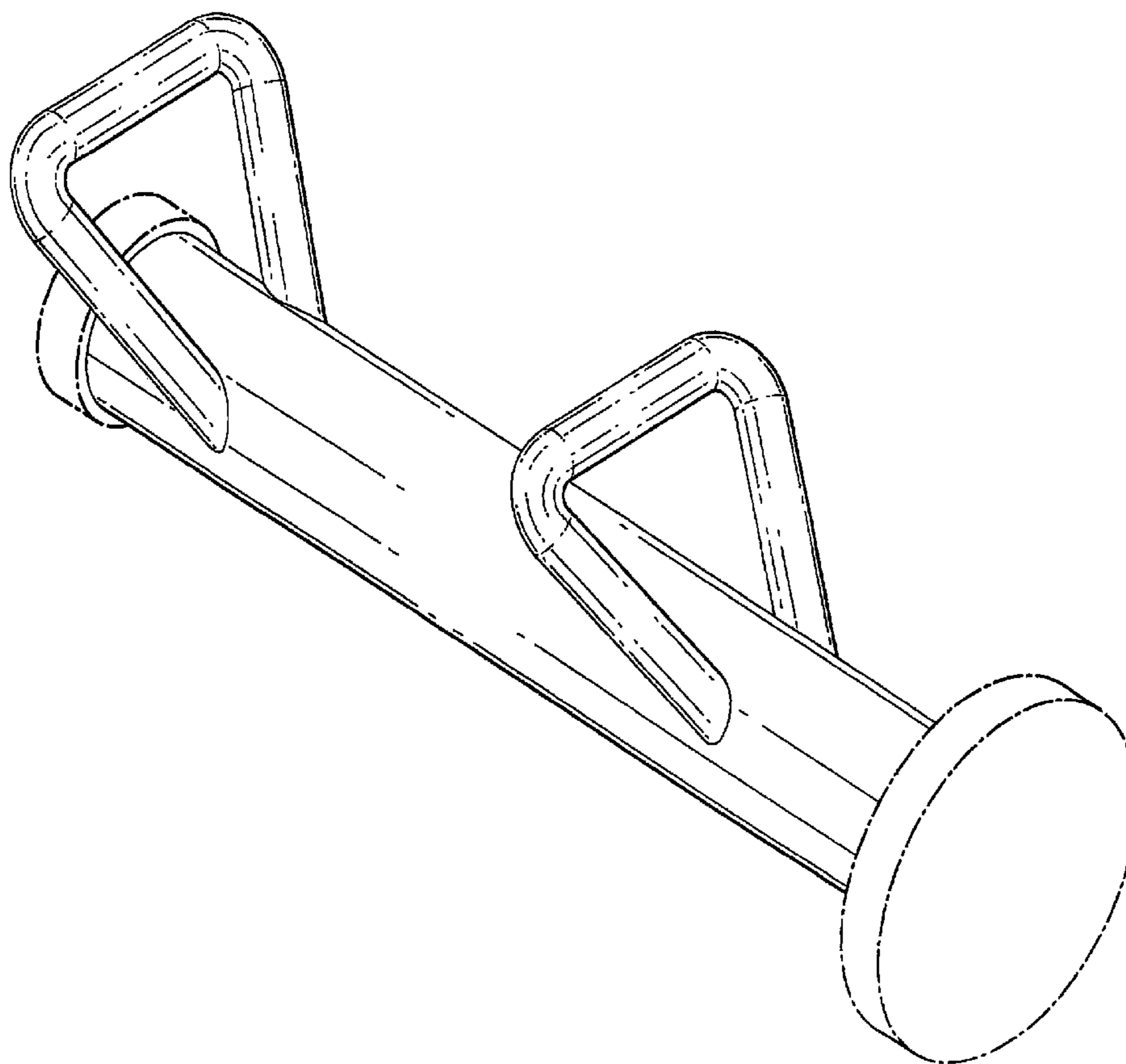
FIG. 5 is a bottom plan view of the ram of FIG. 1;

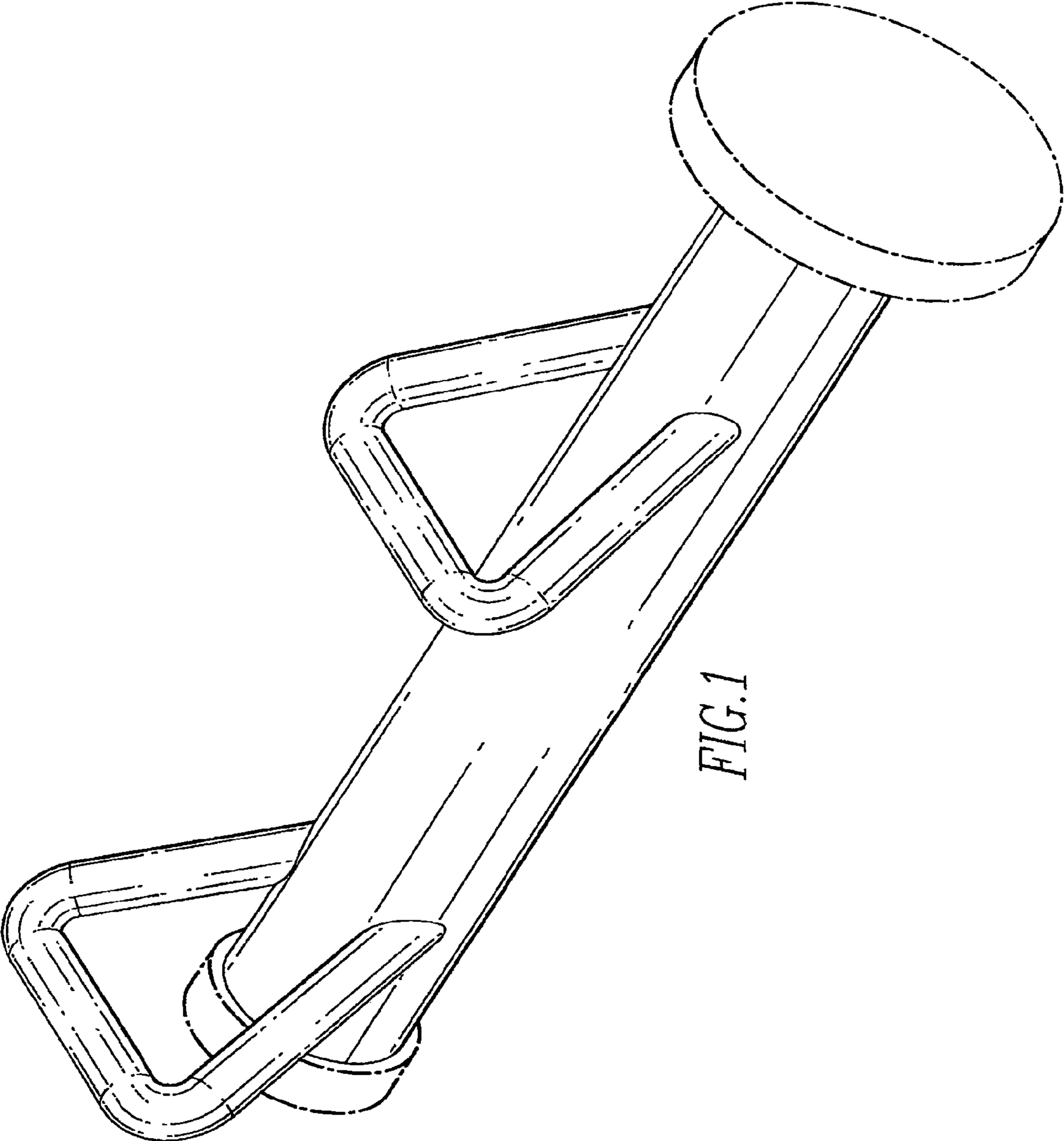
FIG. 6 is a front end elevation view of the ram of FIG. 1; and,

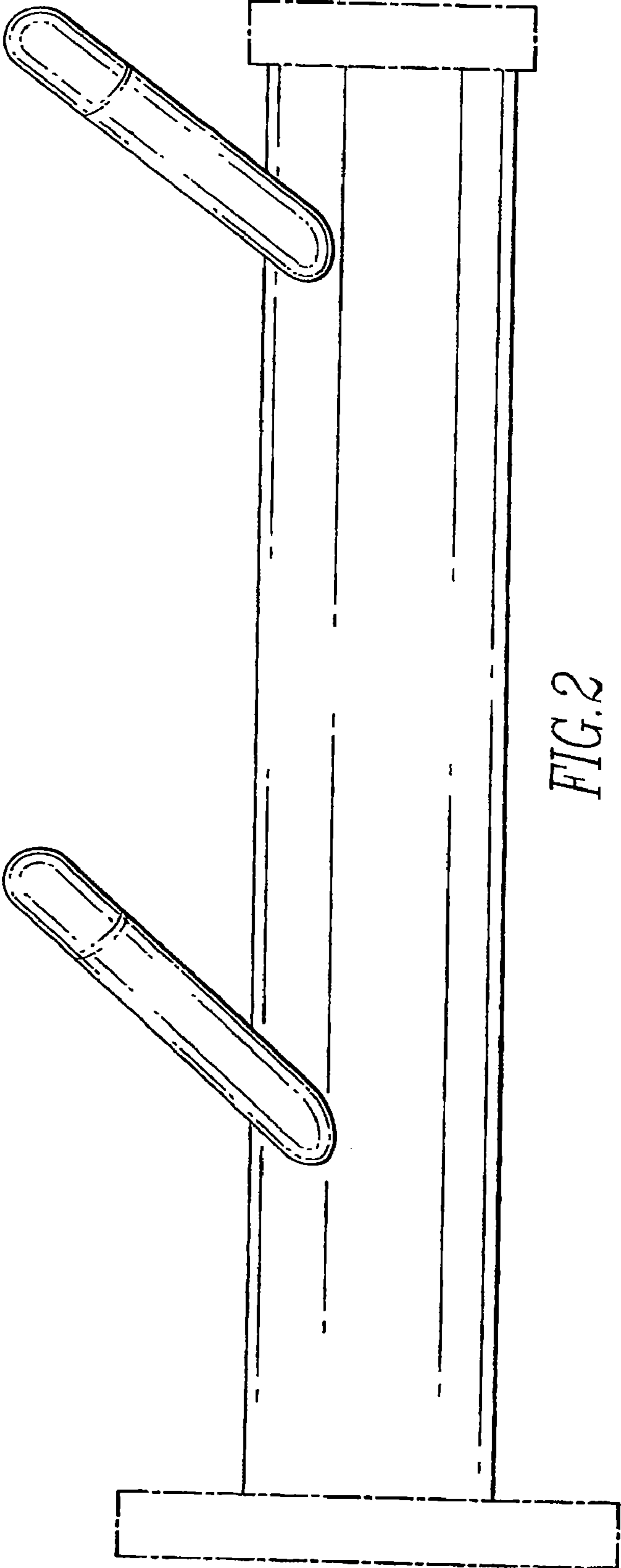
FIG. 7 is a back end elevation view of the ram of FIG. 1.

The components shown in broken lines in the drawings are for illustrative purposes only and do not form a part of the claimed design.

1 Claim, 6 Drawing Sheets







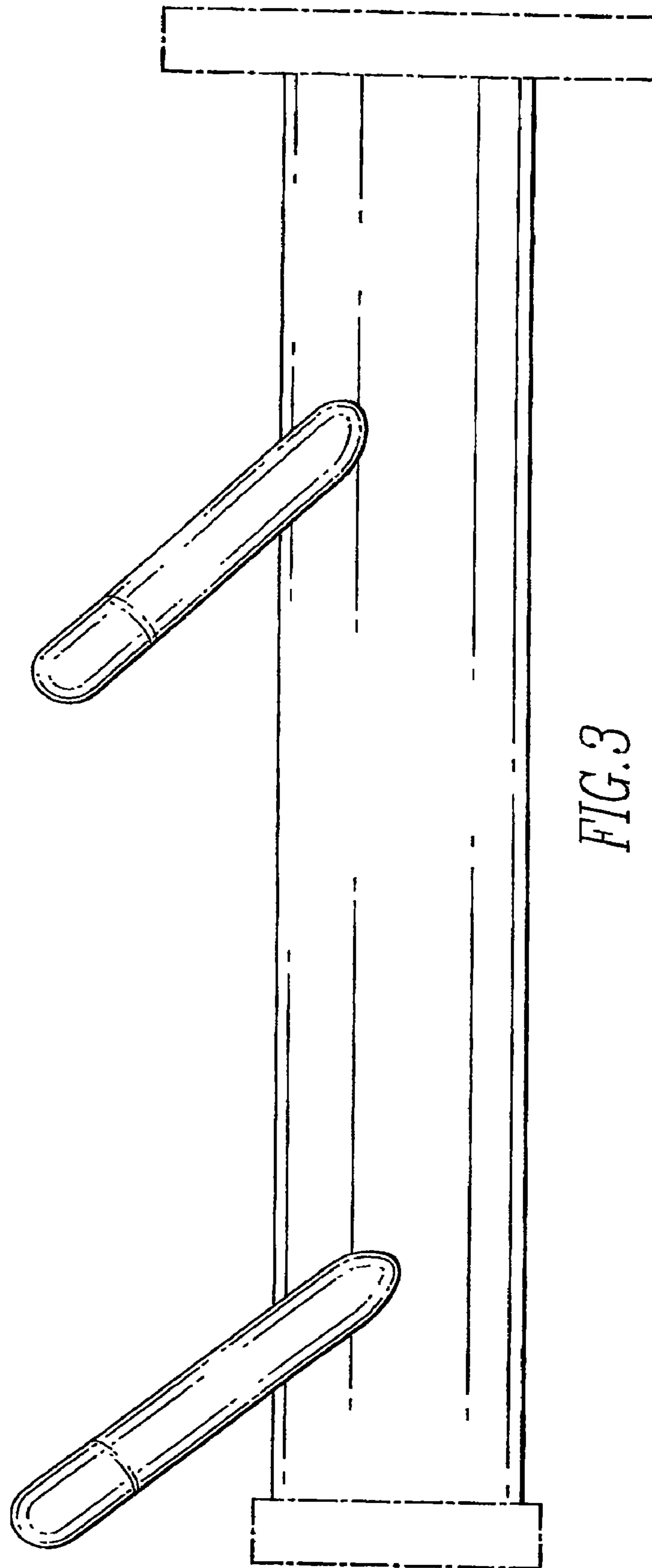


FIG. 3

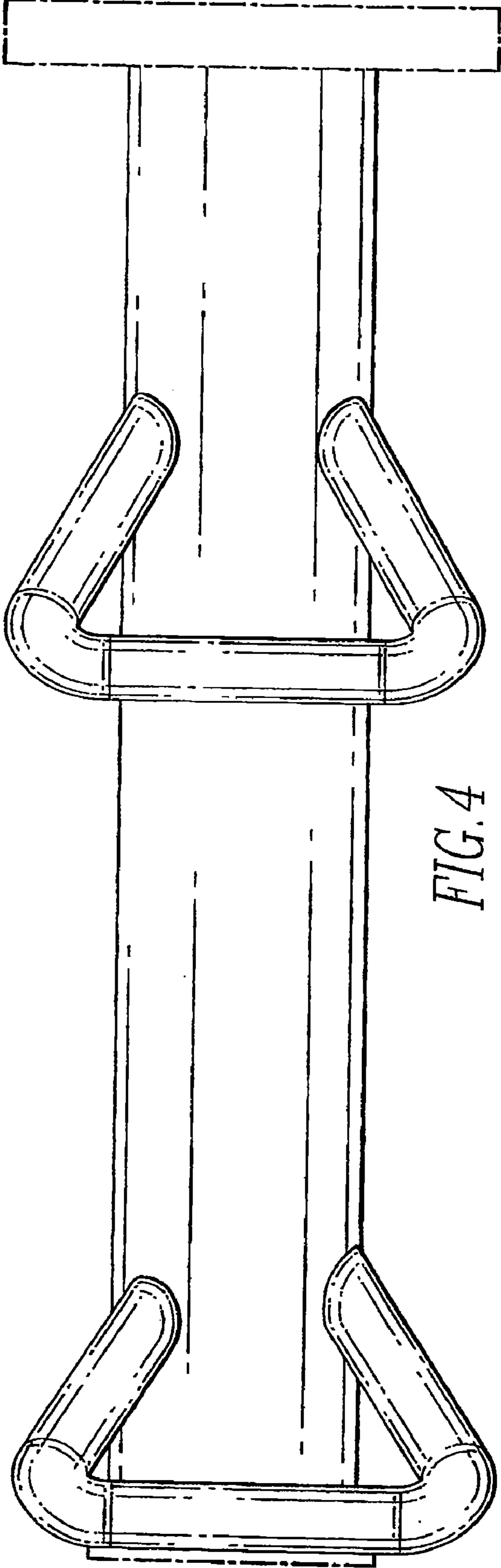


FIG. 4

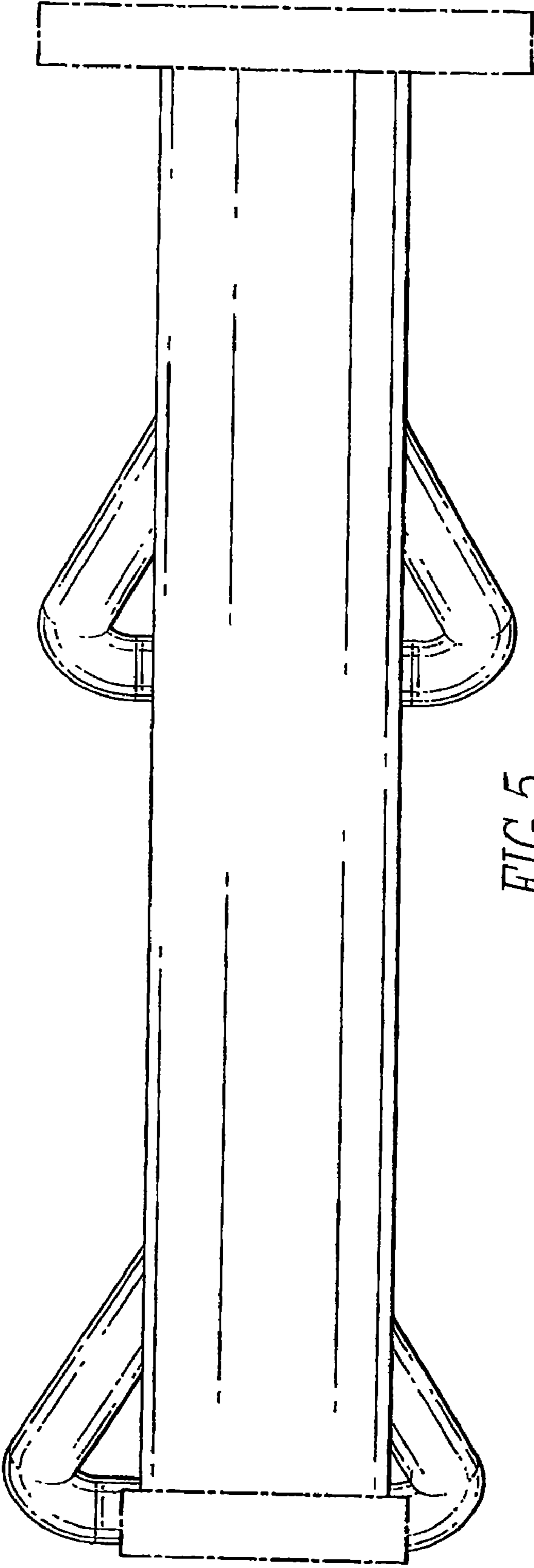


FIG. 5

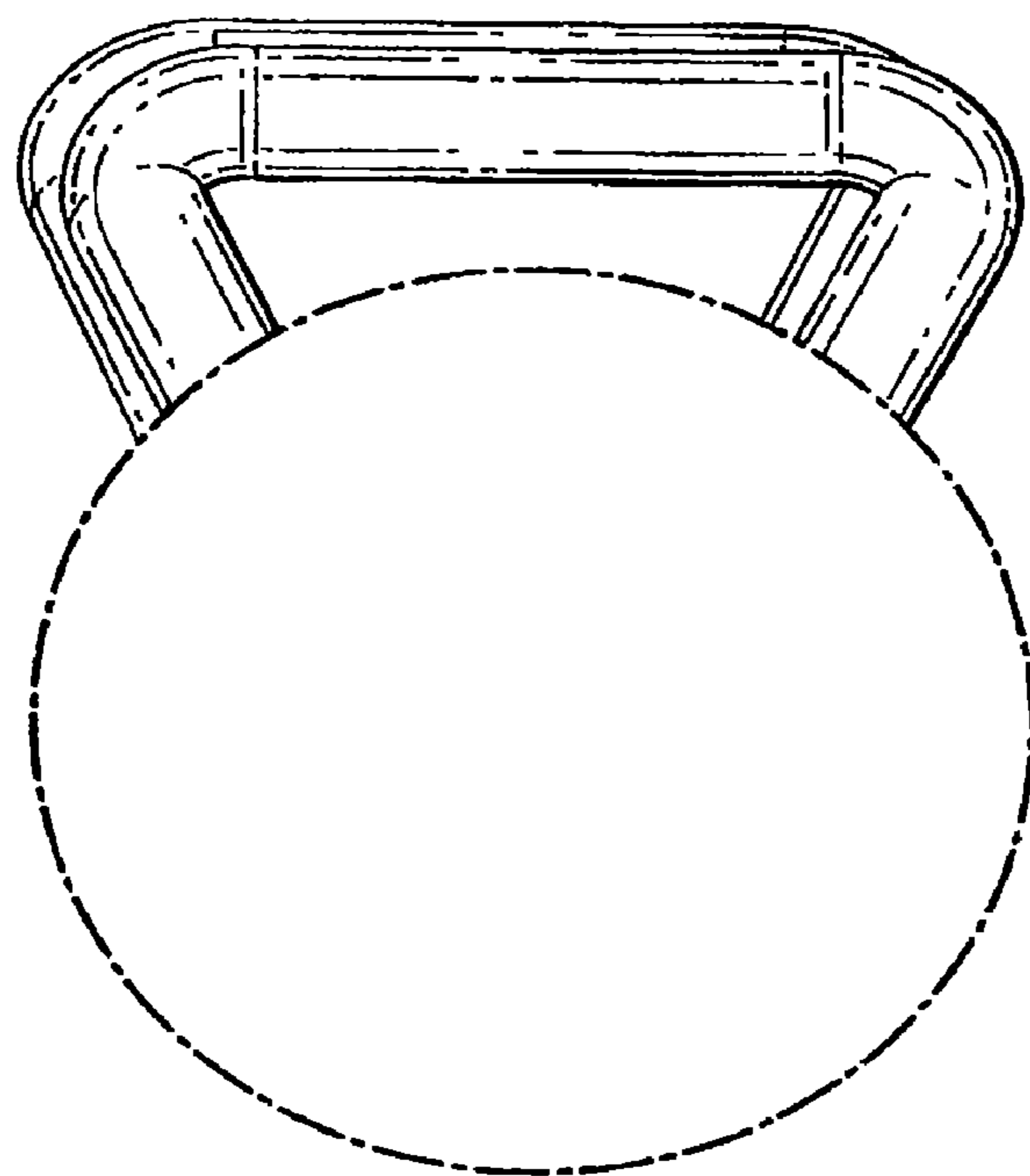


FIG. 6

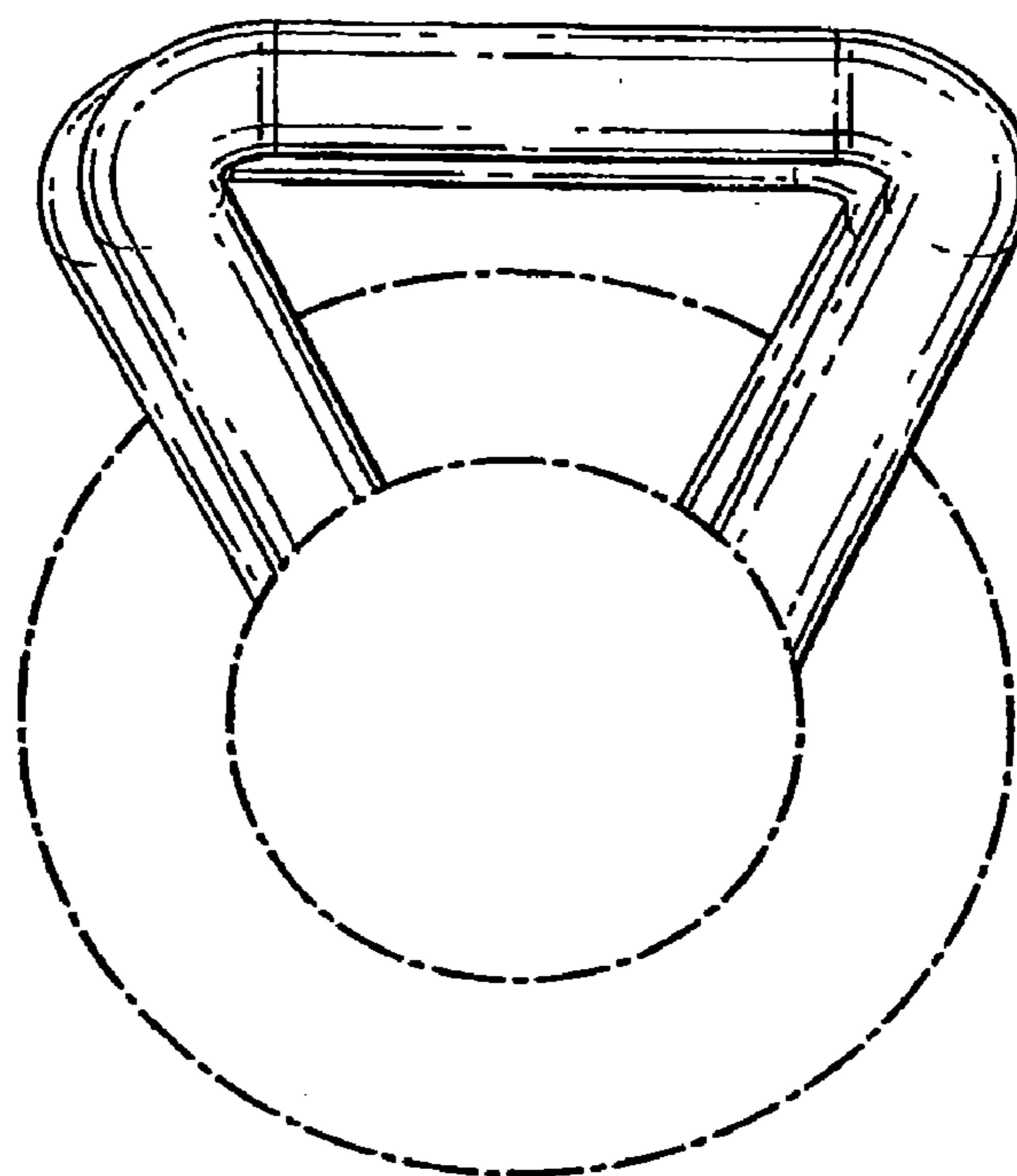


FIG. 7