

US00D570654S

(12) **United States Design Patent**  
**Baker**

(10) **Patent No.:** **US D570,654 S**

(45) **Date of Patent:** **\*\* Jun. 10, 2008**

(54) **SPADE**

(75) Inventor: **Bruce Baker**, Ann Arbor, MI (US)

(73) Assignee: **Radius Garden LLC**, Ann Arbor, MI (US)

(\*\*) Term: **14 Years**

(21) Appl. No.: **29/277,926**

(22) Filed: **Mar. 14, 2007**

(51) **LOC (8) Cl.** ..... **08-01**

(52) **U.S. Cl.** ..... **D8/10**

(58) **Field of Classification Search** ..... D8/10;  
294/49, 53.5, 54.5

See application file for complete search history.

(56) **References Cited**

**U.S. PATENT DOCUMENTS**

969,975	A	*	9/1910	Olmsted	.....	403/193
1,762,718	A		6/1930	Hervey		
2,843,359	A		7/1958	Franz et al.		
3,945,065	A		3/1976	Dushku et al.		
4,786,095	A		11/1988	Dumont et al.		
5,165,144	A		11/1992	Nisenbaum		
5,533,768	A		7/1996	Mitchell et al.		
D413,774	S	*	9/1999	Spear	.....	D8/10
D477,193	S	*	7/2003	Atnip et al.	.....	D8/10

D482,249	S	*	11/2003	Atnip et al.	.....	D8/10
D487,010	S		2/2004	Marquardt et al.		
D527,960	S	*	9/2006	Fortier	.....	D8/10
D533,754	S	*	12/2006	Fortier	.....	D8/10

\* cited by examiner

*Primary Examiner*—Holly H. Baynham

*Assistant Examiner*—Sheryl Friedman

(74) *Attorney, Agent, or Firm*—Gifford, Krass, Sprinkle, Anderson & Citkowski, PC

(57) **CLAIM**

The ornamental design for a spade, as shown and described.

**DESCRIPTION**

FIG. 1 is an oblique view of the invention;

FIG. 2 is a front view of the invention;

FIG. 3 is a rear view of the invention;

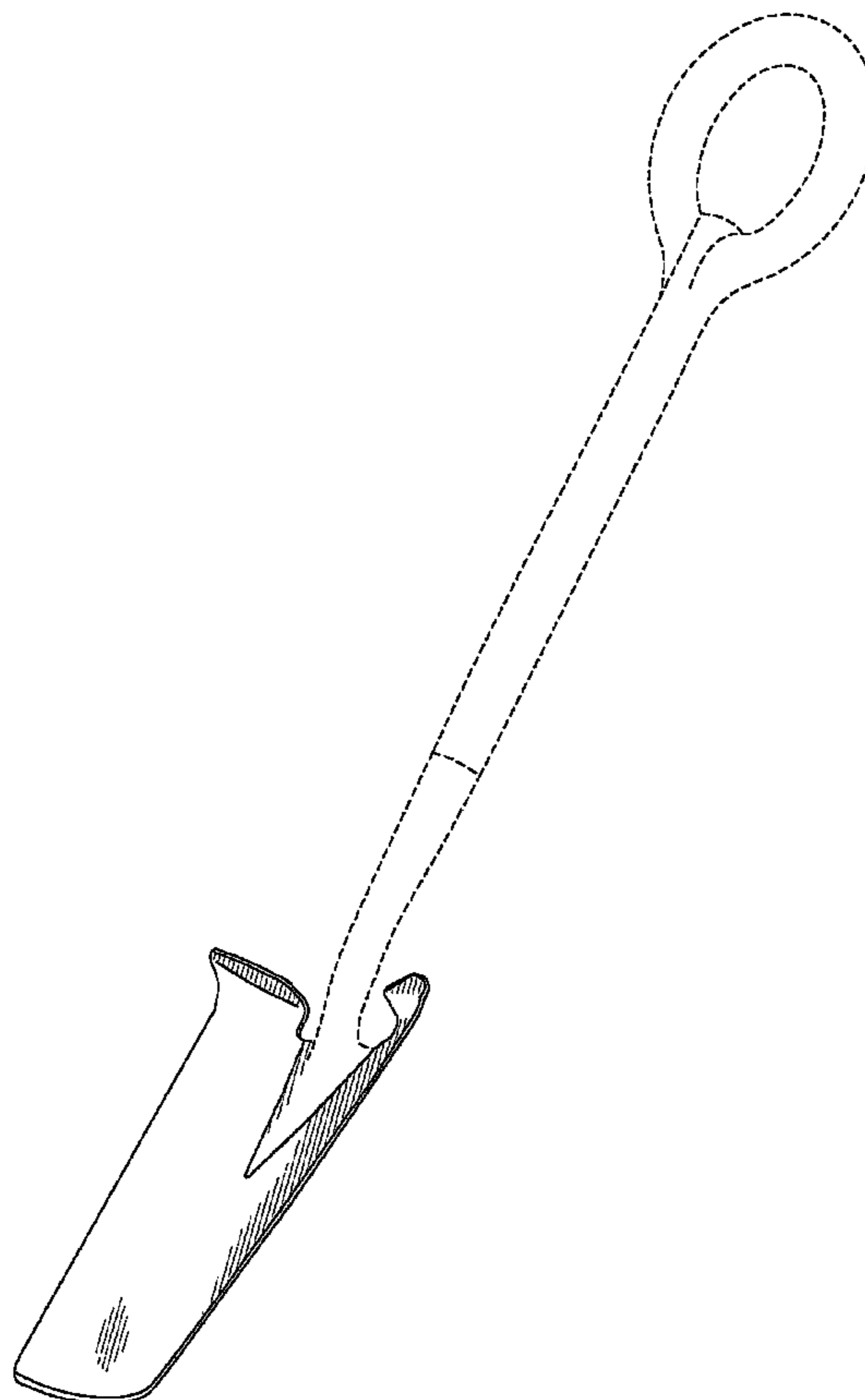
FIG. 4 is a bottom view of the invention;

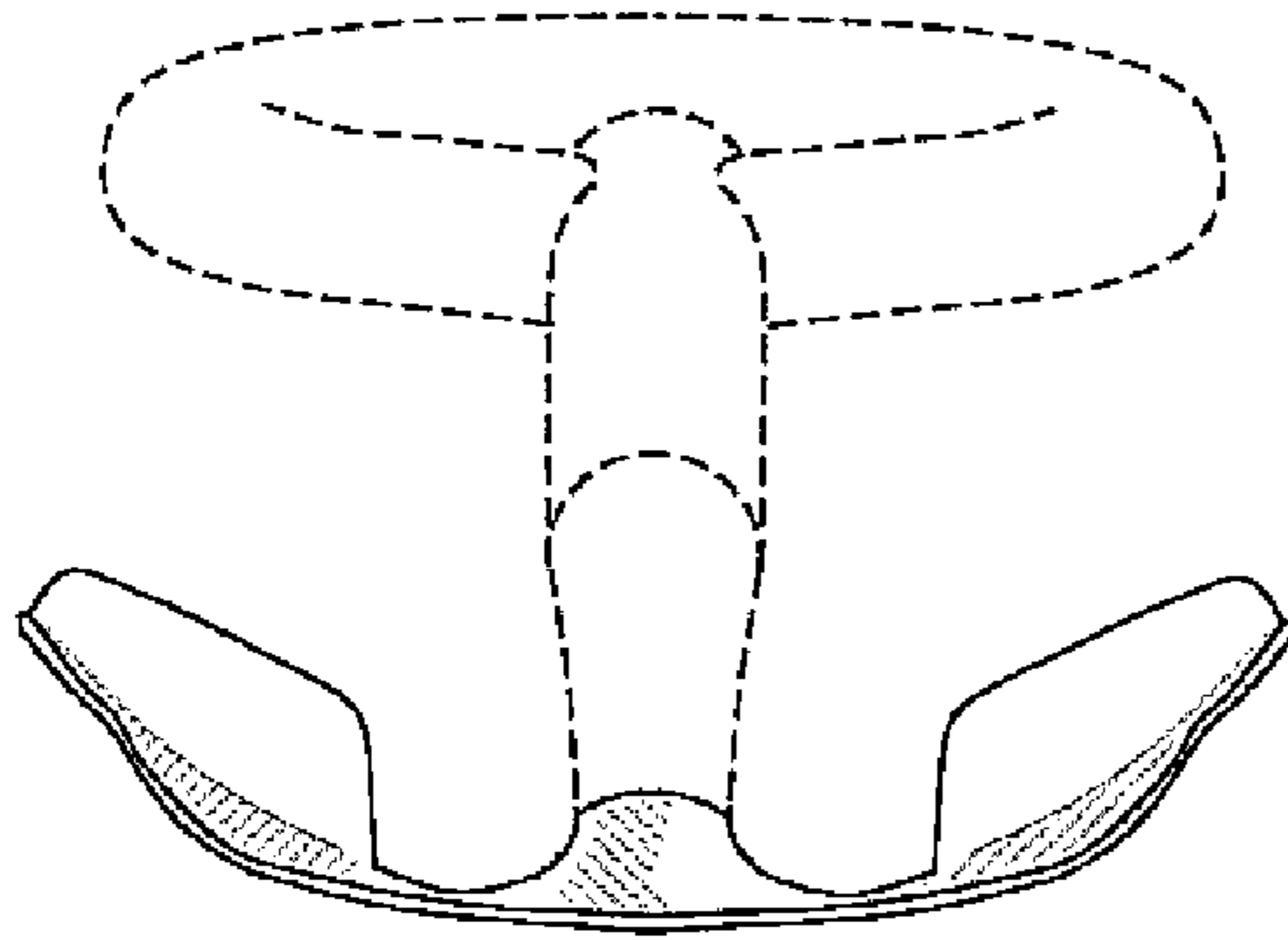
FIG. 5 is a side view of the invention; and,

FIG. 6 is a top view of the invention.

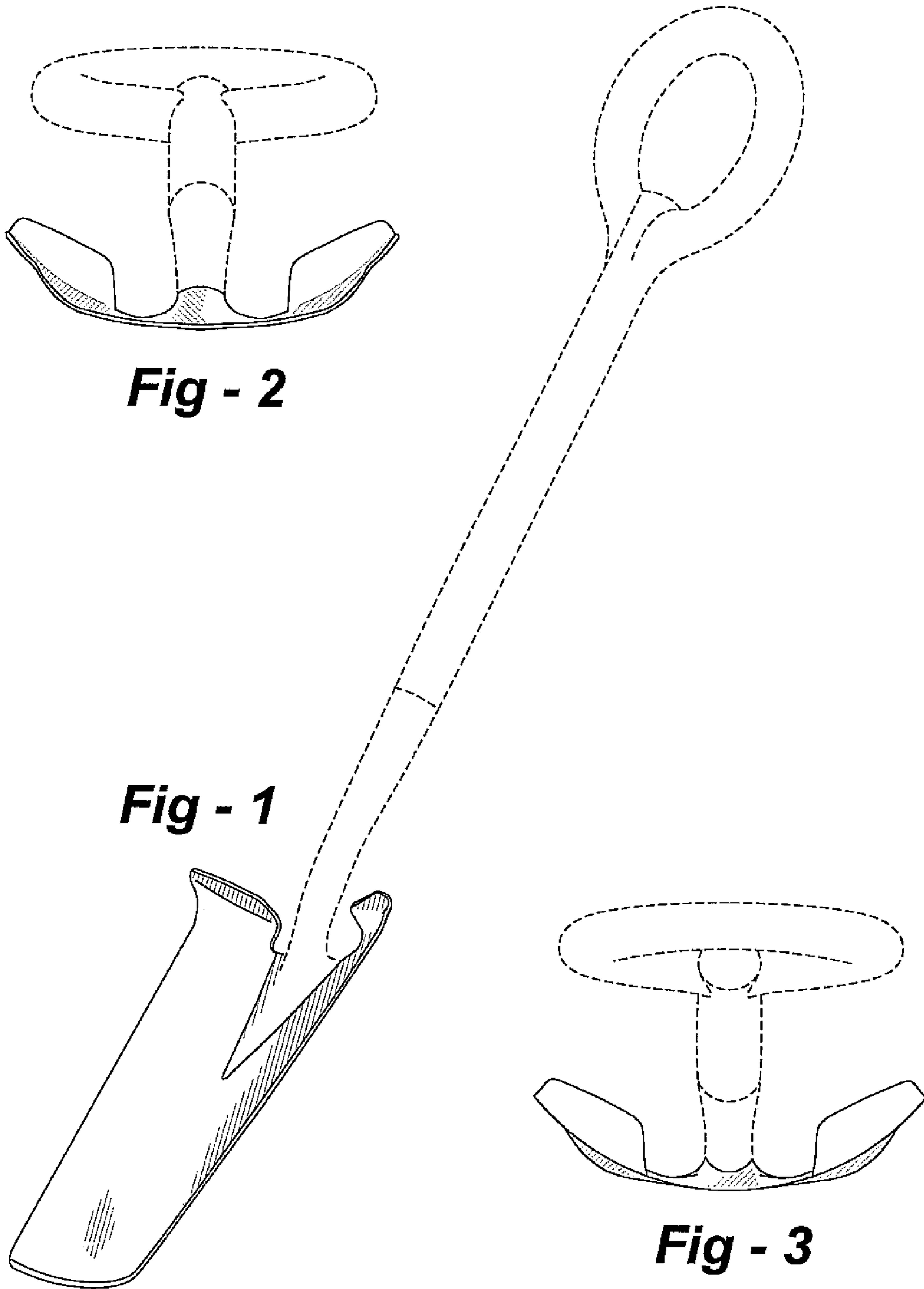
The broken line showing of the spade's handle is included for the purpose of illustrating environment and forms no part of the claimed design.

**1 Claim, 2 Drawing Sheets**

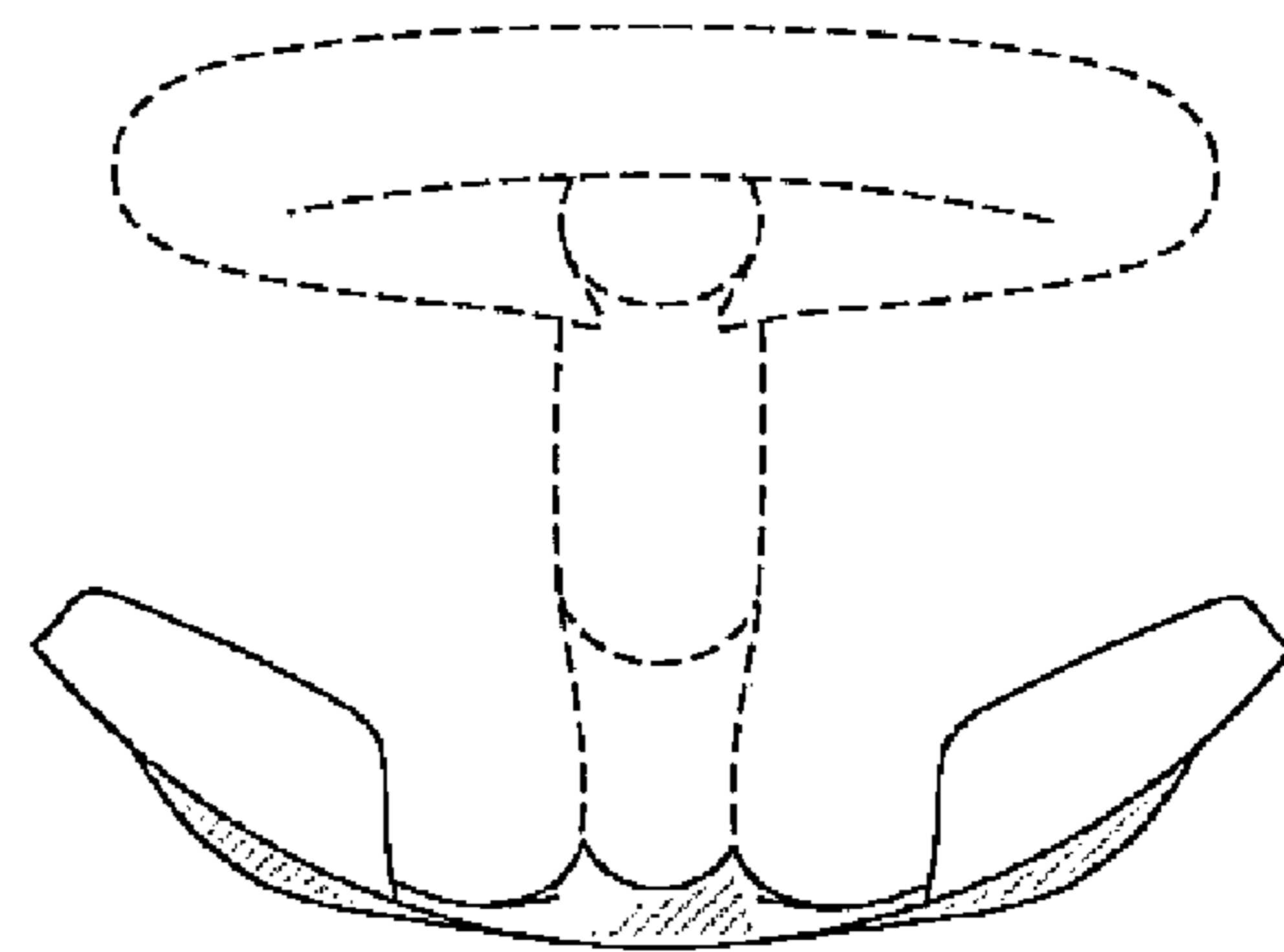




**Fig - 2**



**Fig - 1**



**Fig - 3**

