

US00D570653S

(12) **United States Design Patent**
Baker

(10) **Patent No.:** **US D570,653 S**

(45) **Date of Patent:** **** Jun. 10, 2008**

(54) **SHOVEL**

(75) Inventor: **Bruce Baker**, Ann Arbor, MI (US)

(73) Assignee: **Radius Garden LLC**, Ann Arbor, MI (US)

(**) Term: **14 Years**

(21) Appl. No.: **29/277,924**

(22) Filed: **Mar. 14, 2007**

(51) **LOC (8) Cl.** **08-01**

(52) **U.S. Cl.** **D8/10**

(58) **Field of Classification Search** D8/10;
294/49, 53.5, 54.5

See application file for complete search history.

(56) **References Cited**

U.S. PATENT DOCUMENTS

1,762,718	A	6/1930	Hervey	
2,380,361	A *	7/1945	Harte	76/113
2,843,359	A	7/1958	Franz et al.	
D214,662	S *	7/1969	Portz	D8/10
3,848,915	A *	11/1974	Wherry	294/49
3,945,065	A	3/1976	Dushku et al.	
D242,520	S *	11/1976	Nollar	D8/105
D292,061	S *	9/1987	Germain	D8/10
D294,555	S *	3/1988	Tremaine	D8/10
4,786,095	A	11/1988	Dumont et al.	
D300,199	S *	3/1989	Ipema	D8/10
5,165,144	A	11/1992	Nisenbaum	

5,533,768	A	7/1996	Mitchell et al.	
D477,193	S *	7/2003	Atnip et al.	D8/10
D482,249	S *	11/2003	Atnip et al.	D8/10
D487,010	S	2/2004	Marquardt et al.	
D500,432	S *	1/2005	Villani	D8/10
7,070,006	B2 *	7/2006	Villani	172/371
D534,045	S *	12/2006	Fortier	D8/10

* cited by examiner

Primary Examiner—Holly H. Baynham

Assistant Examiner—Sheryl Friedman

(74) *Attorney, Agent, or Firm*—Gifford, Krass, Sprinkle, Anderson & Citkowski, PC

(57) **CLAIM**

The ornamental design for a shovel, as shown and described.

DESCRIPTION

FIG. 1 is an oblique view of the invention;

FIG. 2 is a front view of the invention;

FIG. 3 is a rear view of the invention;

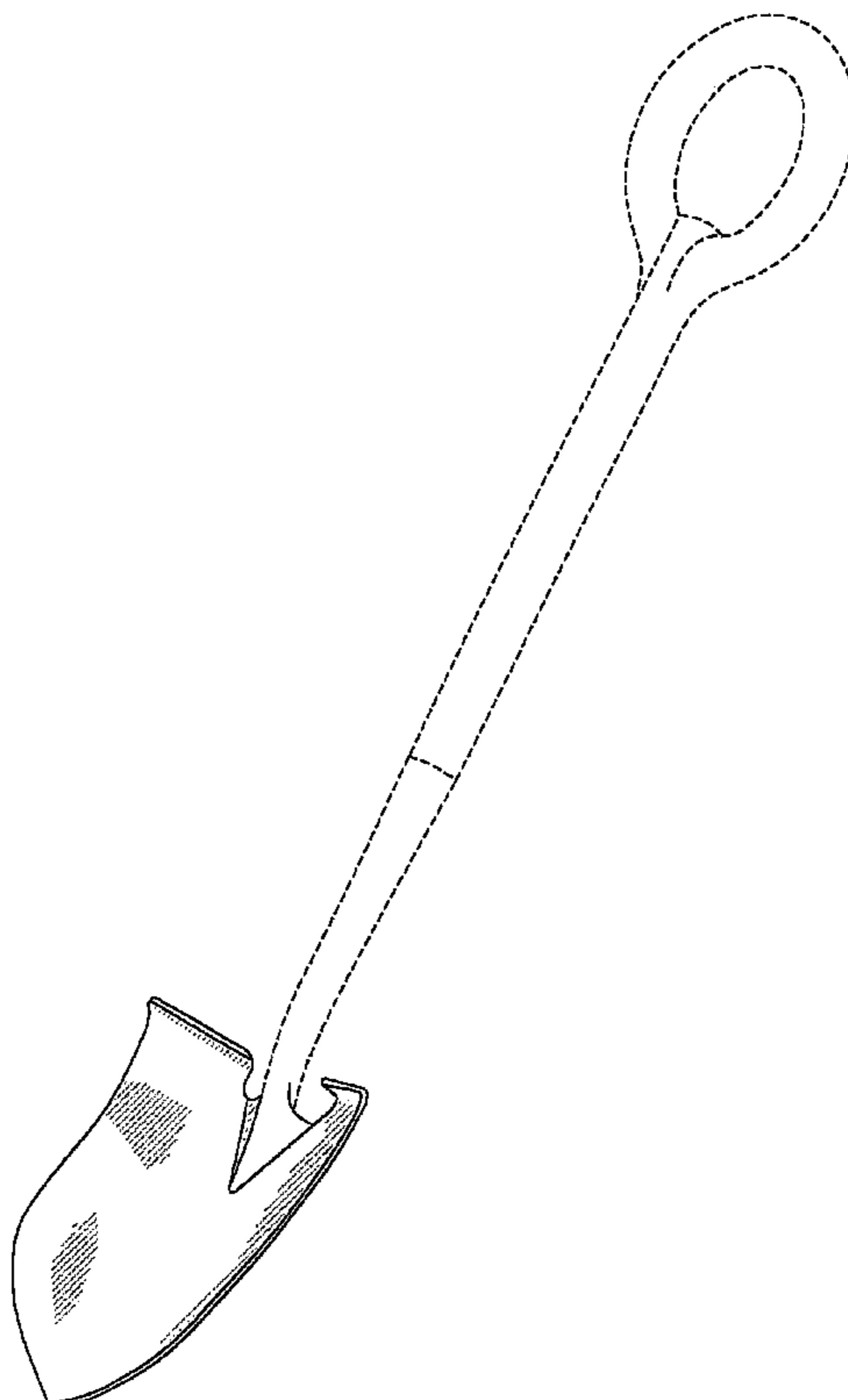
FIG. 4 is a bottom view of the invention;

FIG. 5 is a side view of the invention; and,

FIG. 6 is a top view of the invention.

The broken line showing of the shovel's handle is included for the purpose of illustrating environment and forms no part of the claimed design.

1 Claim, 2 Drawing Sheets



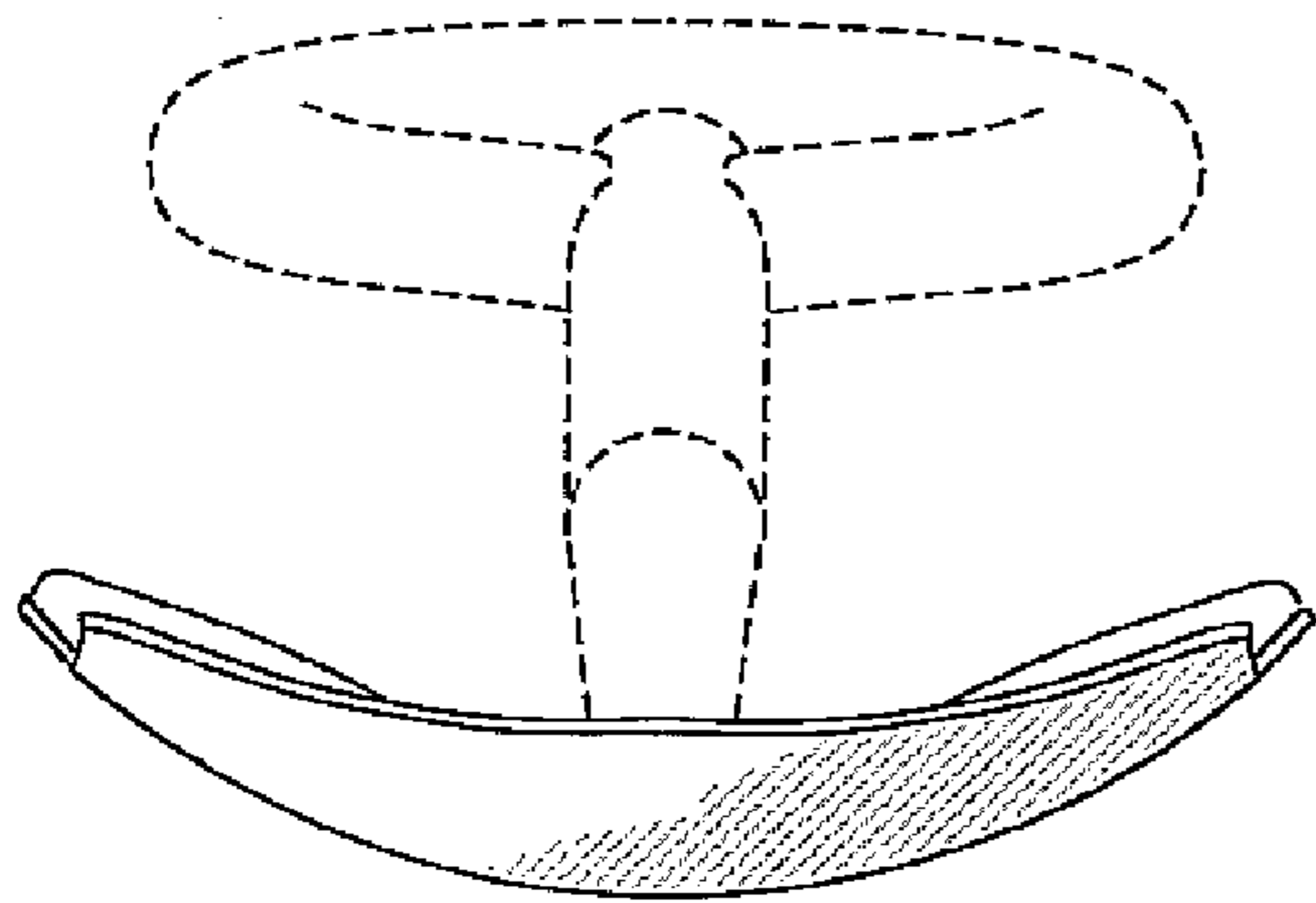


Fig - 2

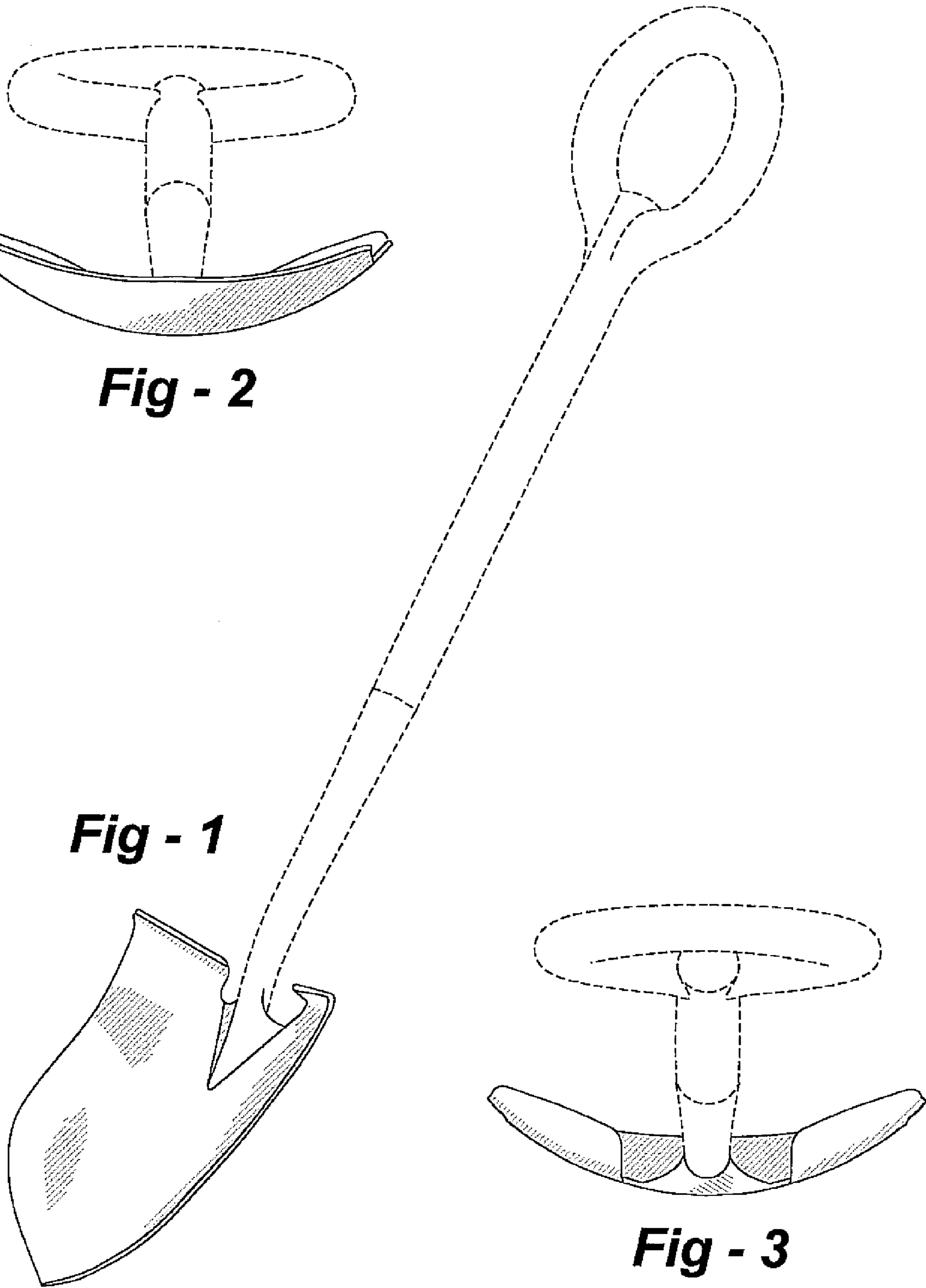


Fig - 1

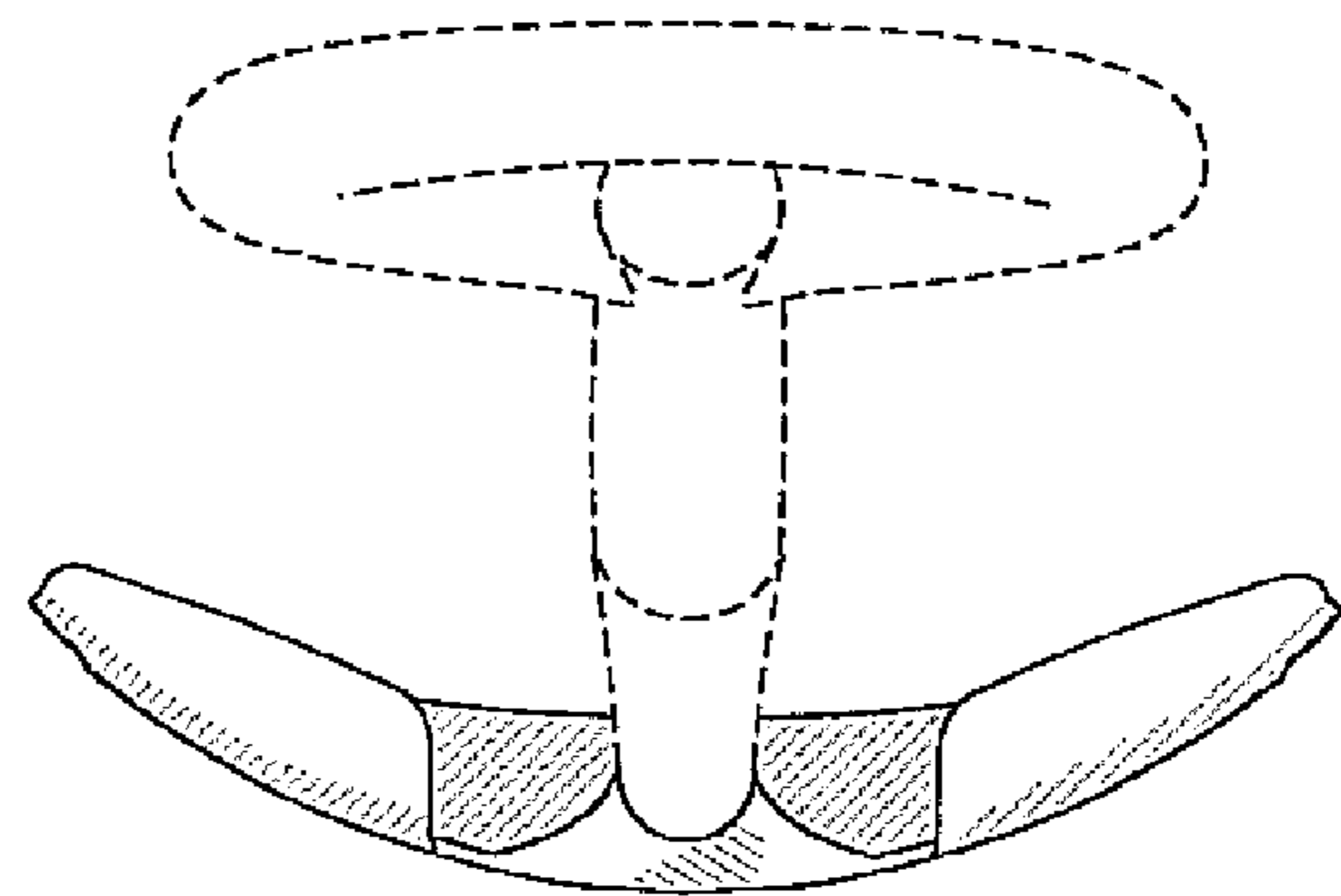


Fig - 3

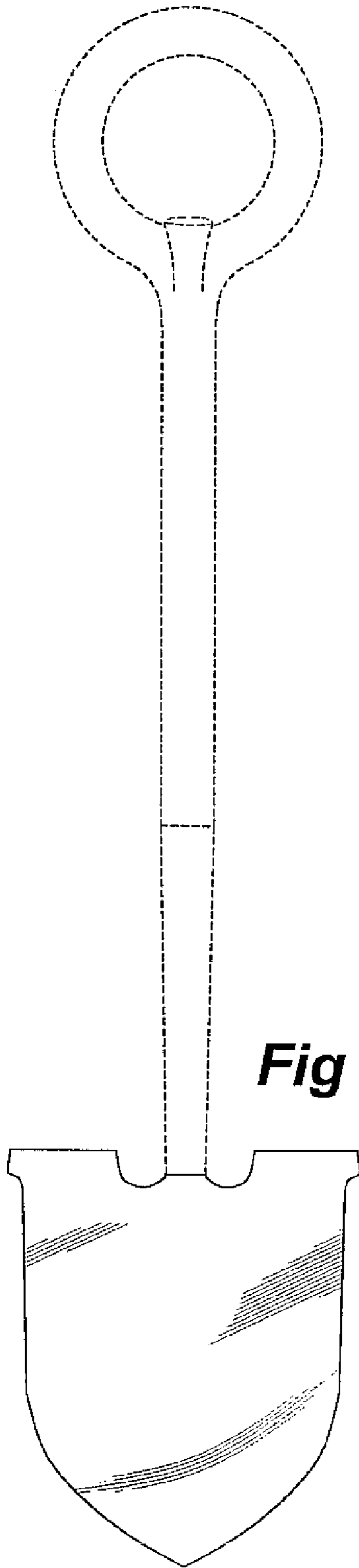


Fig - 4



Fig - 5

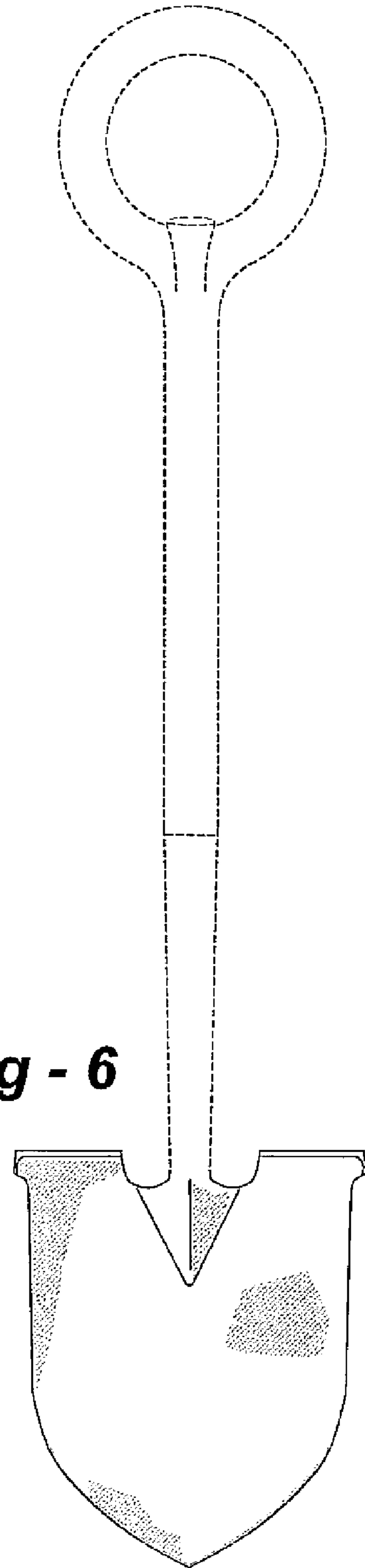


Fig - 6