



US00D570652S

(12) **United States Design Patent**
Nudi, Jr. et al.

(10) **Patent No.:** **US D570,652 S**
(45) **Date of Patent:** **** Jun. 10, 2008**

(54) **WINE DECANTING FUNNEL**

D514,901 S * 2/2006 Wang D7/700

(76) Inventors: **Peter Joseph Nudi, Jr.**, 2424 Humboldt St., Santa Rosa, CA (US) 95404;
Thomas Scott Hassur, 429 Skylark St., Windsor, CA (US) 95492

* cited by examiner

Primary Examiner—Terry A Wallace

(**) Term: **14 Years**

(57) **CLAIM**

(21) Appl. No.: **29/279,377**

The ornamental design for a wine decanting funnel, as shown and described.

(22) Filed: **Apr. 27, 2007**

DESCRIPTION

(51) **LOC (8) Cl.** **07-99**

FIG. 1 is a perspective view of the wine decanting funnel showing our new design;

(52) **U.S. Cl.** **D7/700**

FIG. 2 is a side elevational view of FIG. 1;

(58) **Field of Classification Search** D7/700,
D7/400; 99/323.1, 277.2, 276, 277; 261/76;
426/11, 231, 592

FIG. 3 is a top plan view of FIG. 1; and,

FIG. 4 is a bottom plan view of FIG. 1.

See application file for complete search history.

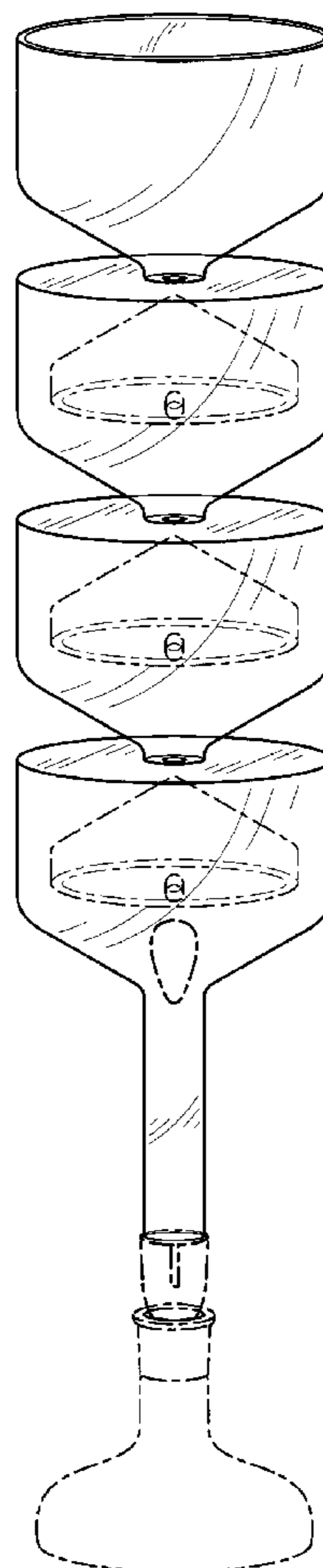
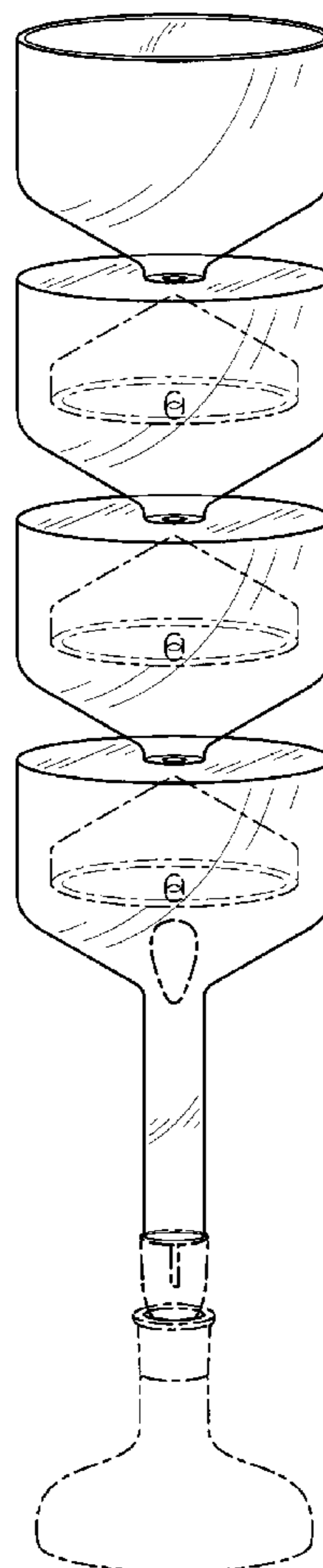
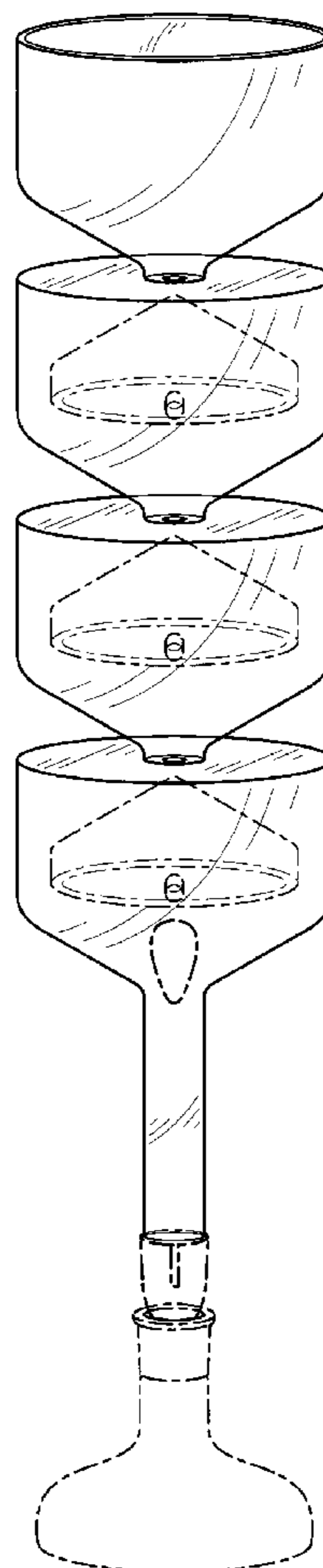
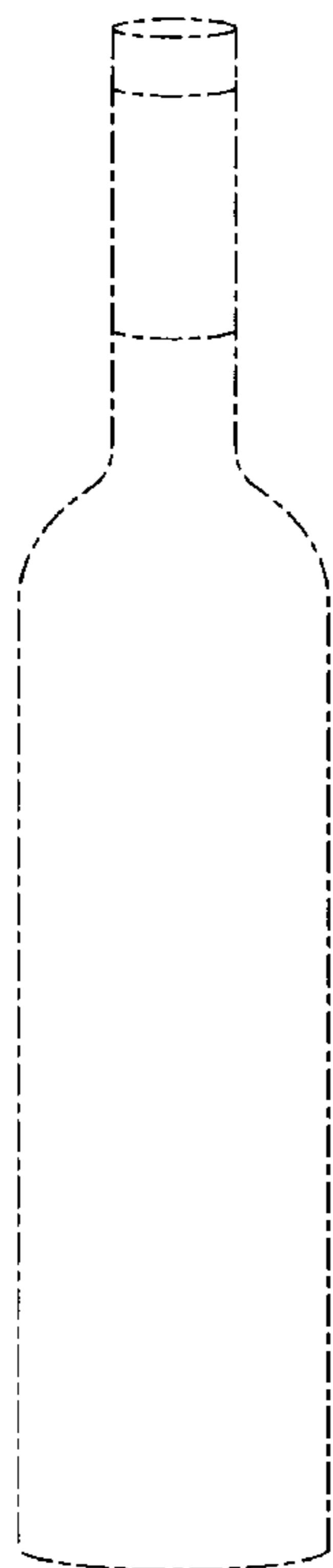
The broken line showings in FIGS. 1 through 4 are for illustrative purposes only, depicting the environment and/or functional components of the new design, forming no part thereof as claimed.

(56) **References Cited**

U.S. PATENT DOCUMENTS

5,713,263 A * 2/1998 Burks, III 99/323.1
6,814,992 B2 * 11/2004 Pazik et al. 99/323.1

1 Claim, 3 Drawing Sheets



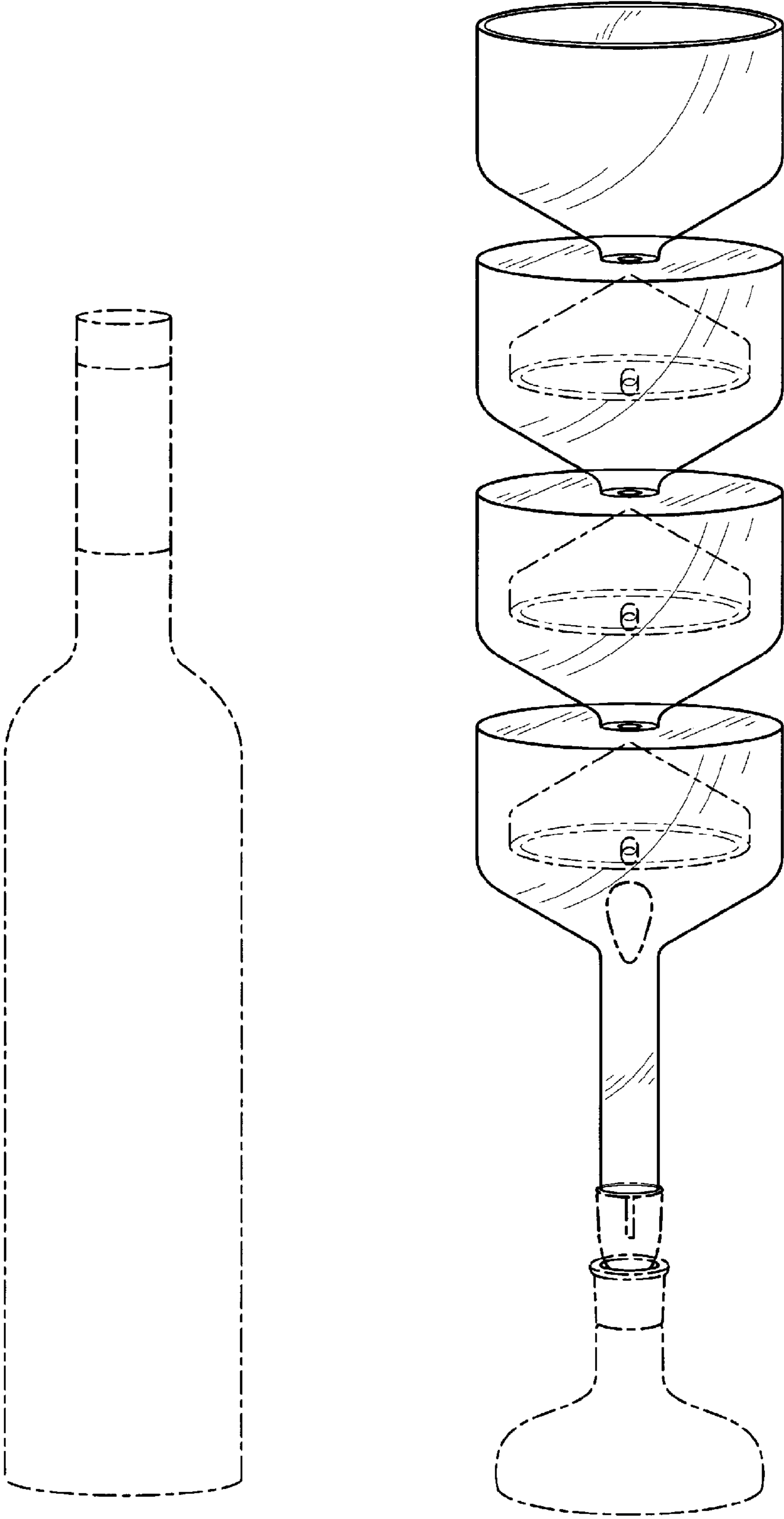


FIG. 1

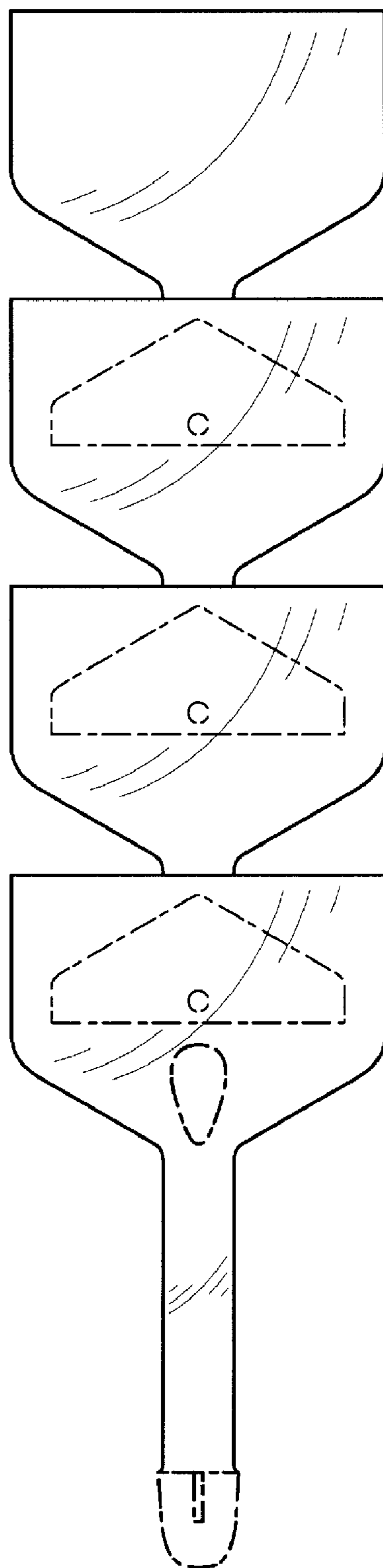


FIG. 2

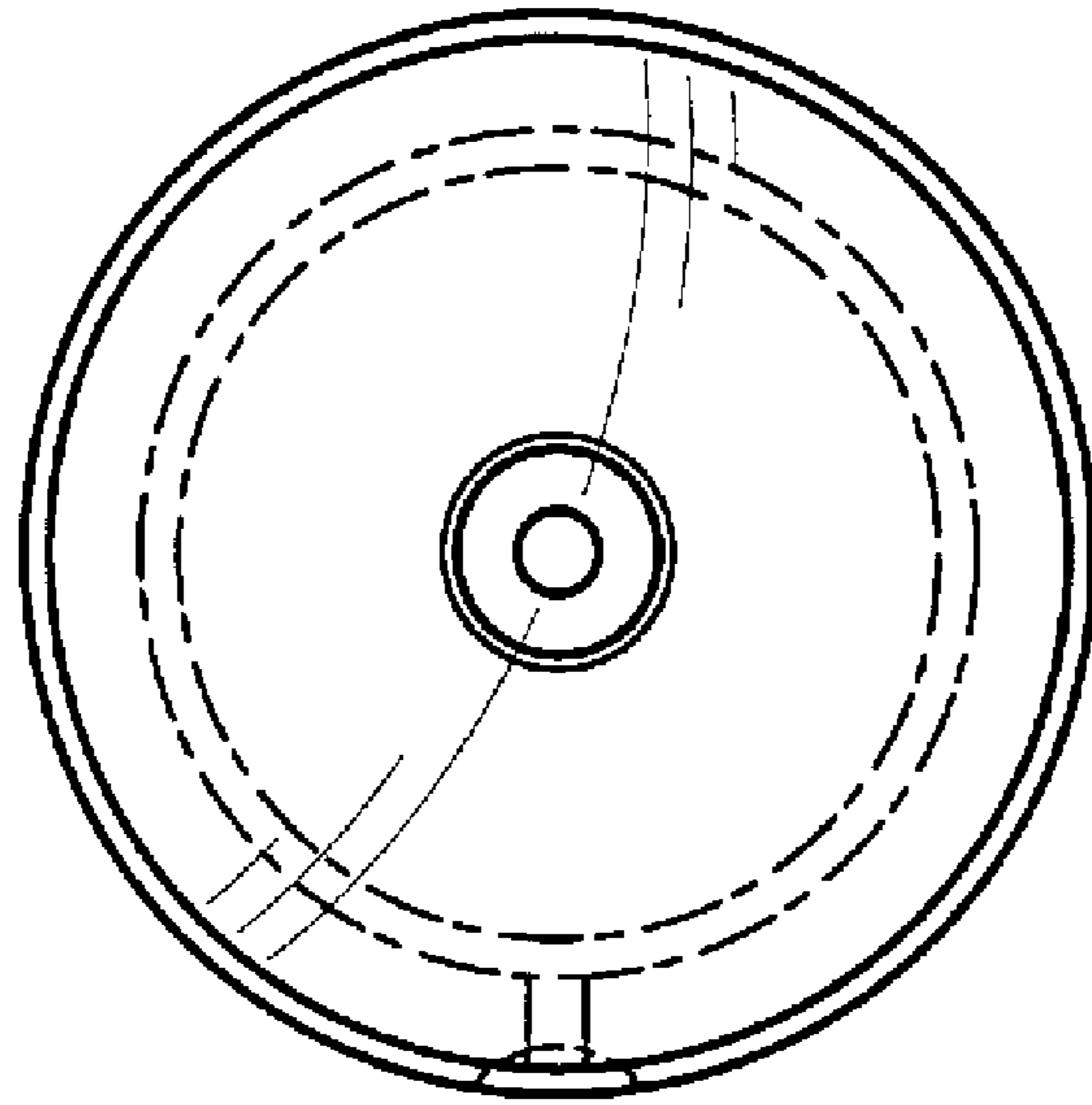


FIG. 3

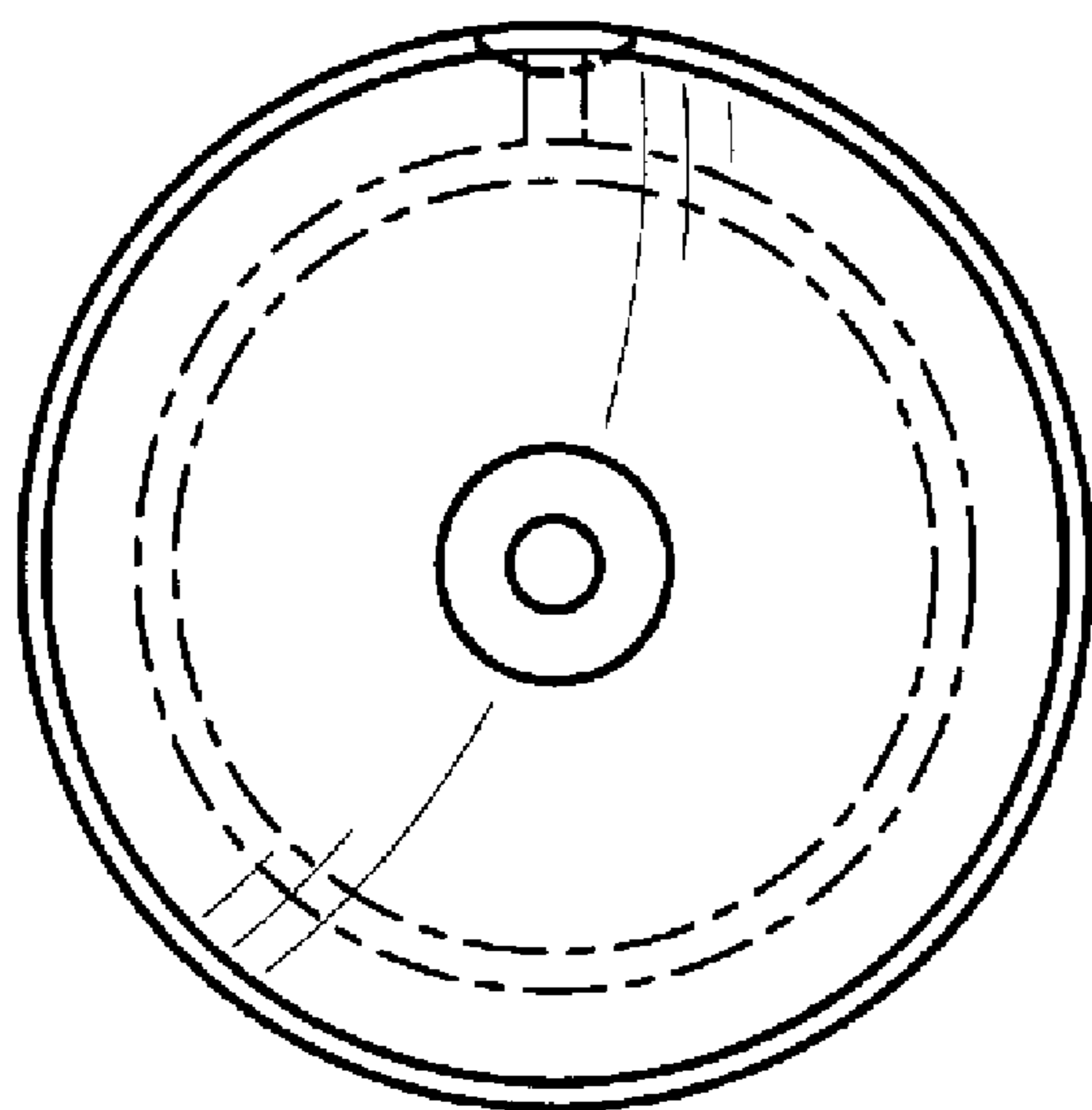


FIG. 4