



US00D570651S

(12) **United States Design Patent**
Lin

(10) **Patent No.:** **US D570,651 S**
(45) **Date of Patent:** **** Jun. 10, 2008**

(54) **PEPPER SHAKER AND PEPPER GRINDER COMBINATION**

D349,432 S * 8/1994 Kibbe D7/679
D362,598 S * 9/1995 Kibbe D7/678
D382,167 S * 8/1997 Husted D7/679
D467,773 S * 12/2002 Wright D7/679

(75) Inventor: **Yu Peng Lin**, Taipei (TW)

* cited by examiner

(73) Assignee: **Lin-Pak Enterprise Corporation**,
Taipei (TW)

Primary Examiner—Terry A Wallace

(**) Term: **14 Years**

(57) **CLAIM**

(21) Appl. No.: **29/299,143**

The ornamental design for a pepper shaker and pepper grinder combination, as shown.

(22) Filed: **Dec. 20, 2007**

DESCRIPTION

(51) **LOC (8) Cl.** **07-04**

FIG. 1 is a perspective view of a pepper shaker and pepper grinder combination showing my new design;

(52) **U.S. Cl.** **D7/679**

FIG. 2 is a front elevational view thereof;

(58) **Field of Classification Search** D7/590–598,
D7/679, 372, 373; D9/515, 549, 559, 574,
D9/575; 241/168, 169, 169.1, 169.2, 273.1–273.4,
241/286

FIG. 3 is a rear elevational view thereof;

FIG. 4 is a top plan view thereof;

See application file for complete search history.

FIG. 5 is a bottom plan view thereof;

FIG. 6 is a left side view thereof; and,

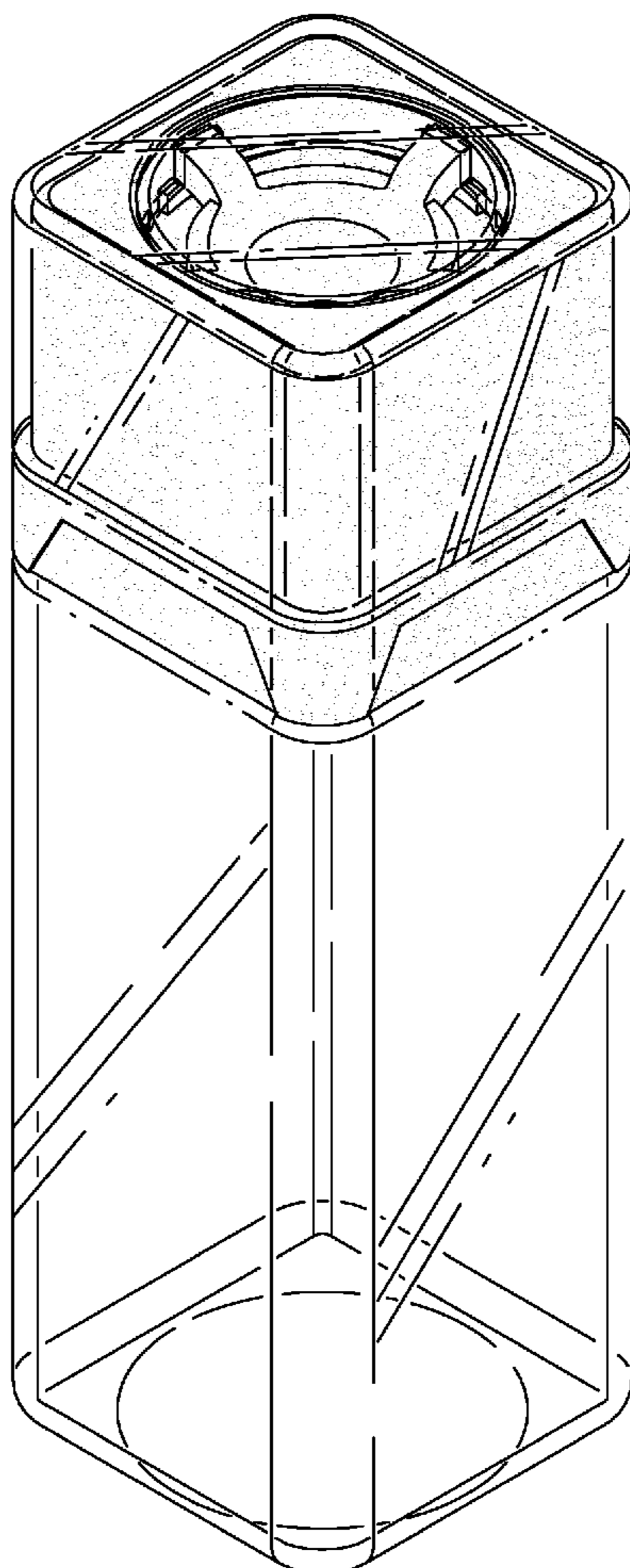
FIG. 7 is a right side view thereof.

(56) **References Cited**

U.S. PATENT DOCUMENTS

3,991,947 A * 11/1976 Schlessel 241/169.1

1 Claim, 6 Drawing Sheets



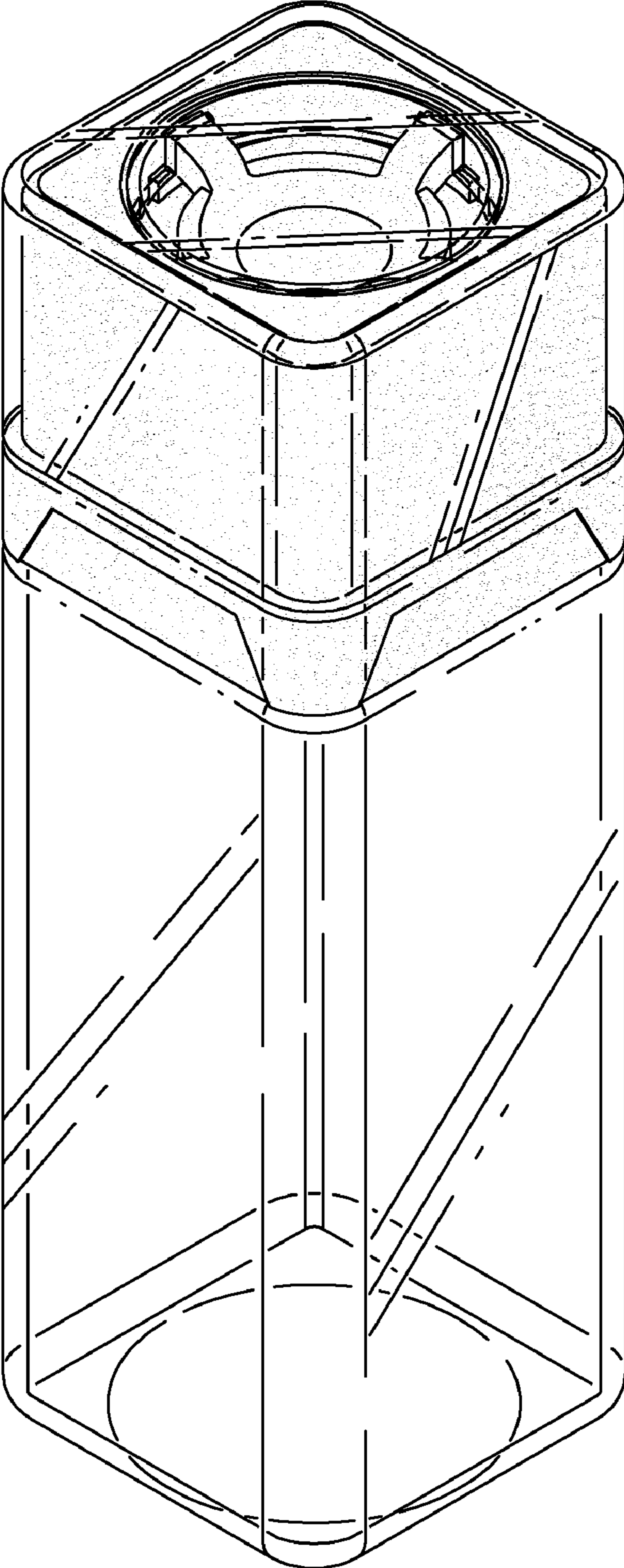


FIG. 1

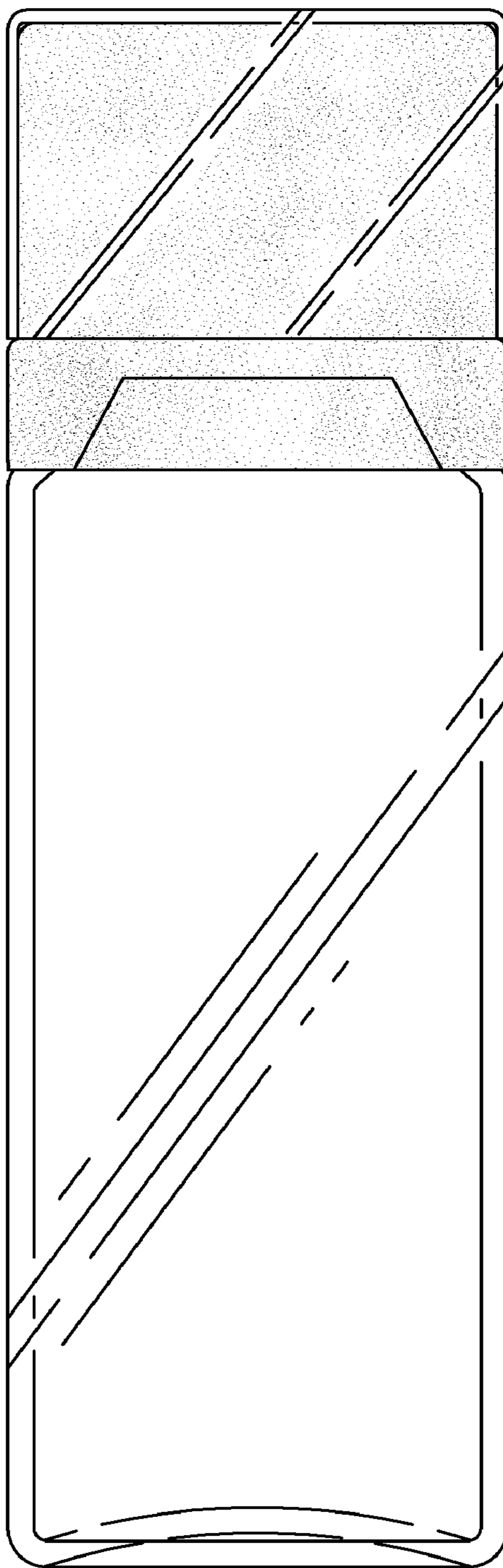


FIG. 2

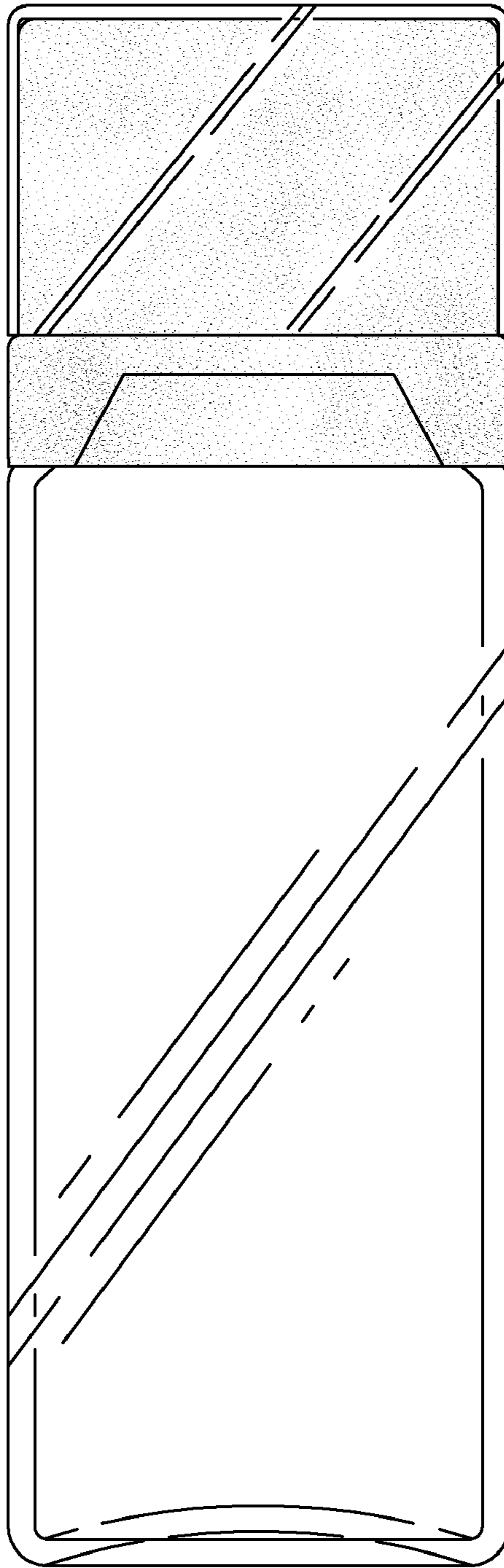


FIG. 3

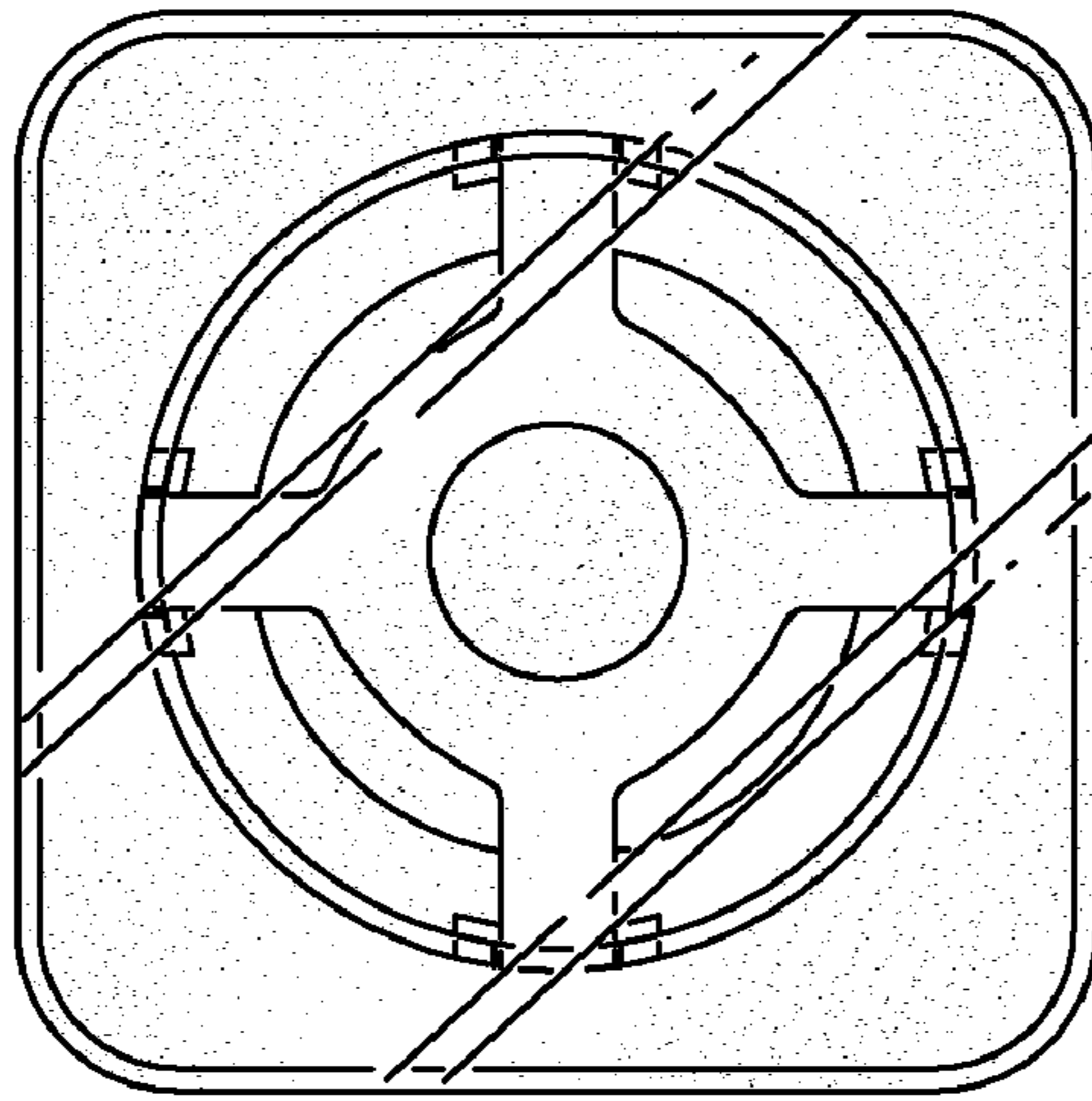


FIG. 4

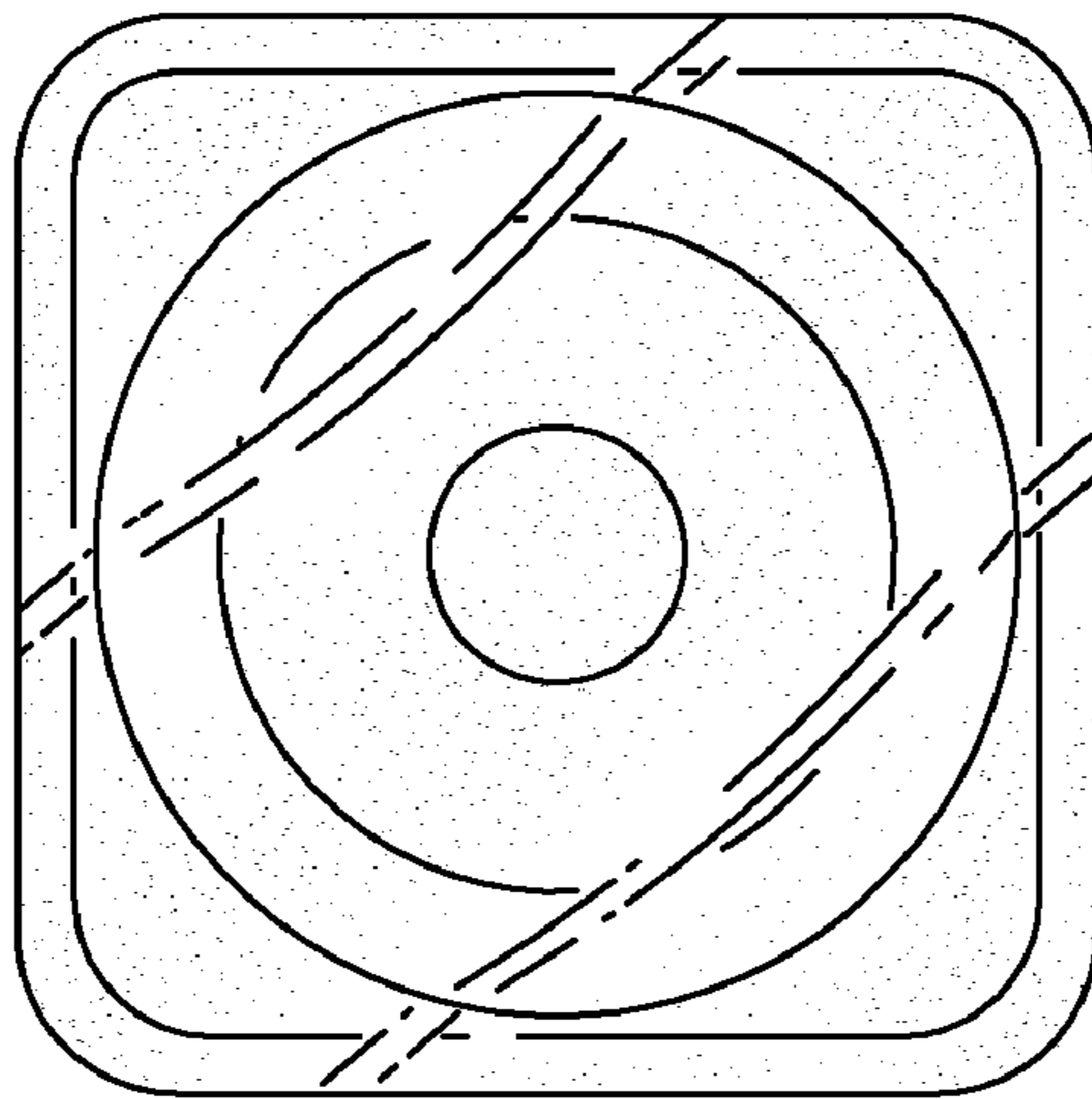


FIG. 5

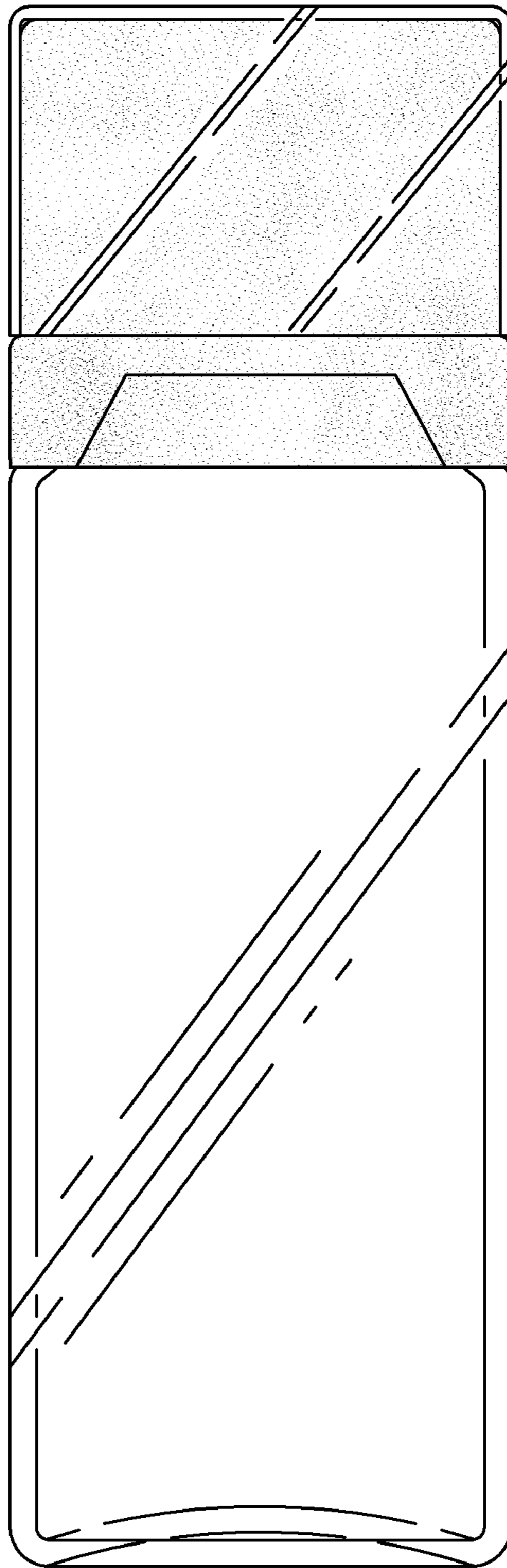


FIG. 6

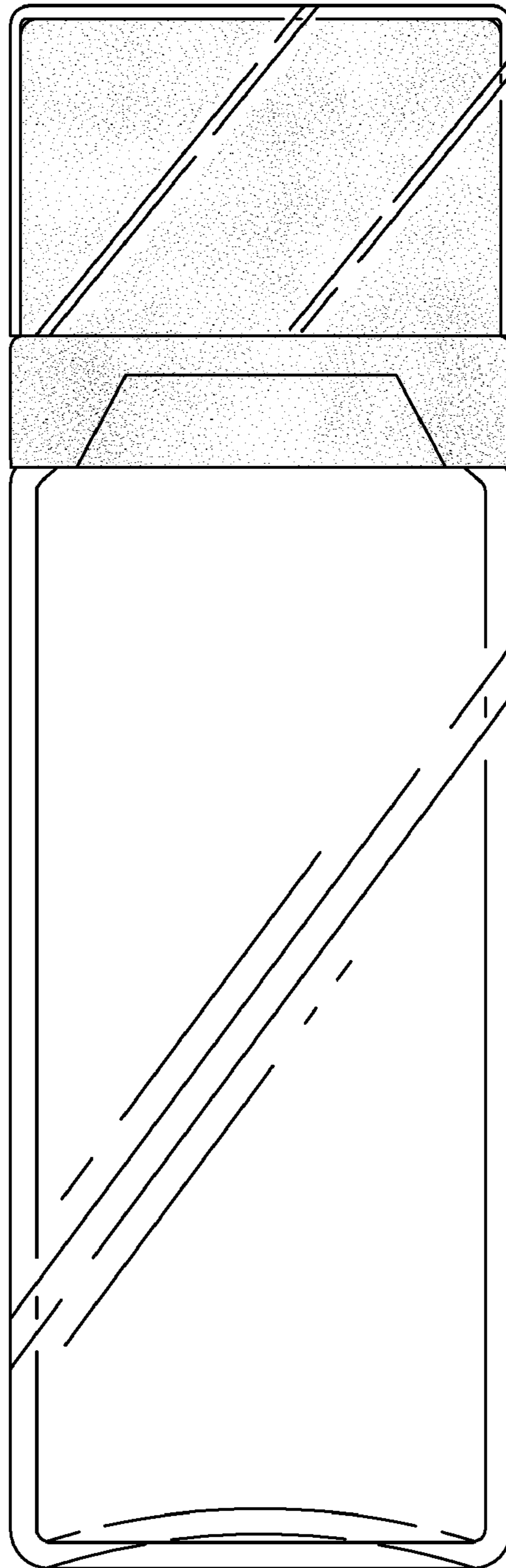


FIG. 7