

US00D570650S

(12) **United States Design Patent**  
**Vovan**

(10) **Patent No.:** **US D570,650 S**  
(45) **Date of Patent:** **\*\* Jun. 10, 2008**

(54) **WAVE PATTERN FOOD CONTAINER**

(75) Inventor: **Terry Vovan**, Rialto, CA (US)

(73) Assignee: **PWP Industries**, Vernon, CA (US)

(\*\*) Term: **14 Years**

(21) Appl. No.: **29/292,148**

(22) Filed: **Sep. 28, 2007**

(51) **LOC (8) Cl.** ..... **07-01**

(52) **U.S. Cl.** ..... **D7/629; D9/429**

(58) **Field of Classification Search** ..... D9/414,  
D9/418, 424-432; D7/354, 360, 505, 540-545,  
D7/554, 565-567, 570, 574, 584-586; D30/123,  
D30/129-133; 426/115, 122, 394; 206/216,  
206/469, 497, 508, 557, 804, 815; 220/4.22,  
220/266, 495.01, 574; 229/123.1, 125.35;  
D11/143

See application file for complete search history.

(56) **References Cited**

**U.S. PATENT DOCUMENTS**

D52,692 S *	11/1918	Beiswanger	.....	D7/565
D227,979 S *	7/1973	Bird	.....	D9/429
D264,686 S *	6/1982	Davis	.....	D9/429
D323,097 S *	1/1992	Picozza	.....	D7/542
D328,705 S *	8/1992	Krupa	.....	D9/420
D329,198 S *	9/1992	Krupa	.....	D9/423
D336,041 S *	6/1993	Zama	.....	D9/429
D371,938 S *	7/1996	Davis	.....	D7/540
D375,683 S *	11/1996	Schoff	.....	D9/429
D415,025 S *	10/1999	McCann	.....	D9/429
D438,794 S *	3/2001	Miles et al.	.....	D9/429
D440,829 S *	4/2001	Brown	.....	D7/629
D445,310 S *	7/2001	Brown	.....	D7/629
D452,821 S *	1/2002	Westphal	.....	D9/429
D468,202 S *	1/2003	Chou	.....	D9/429

D473,426 S *	4/2003	Jalet et al.	.....	D7/545
D519,831 S *	5/2006	de Cleir et al.	.....	D9/428
D551,909 S *	10/2007	Eide et al.	.....	D7/565
D556,569 S *	12/2007	Stein et al.	.....	D9/428

\* cited by examiner

*Primary Examiner*—Robert M. Spear

*Assistant Examiner*—Susan E Krakower

(74) *Attorney, Agent, or Firm*—Leon D. Rosen

(57) **CLAIM**

The ornamental design for wave pattern food container, as shown and described.

**DESCRIPTION**

FIG. 1 is an exploded top isometric view of a wave pattern food container in an open position with the lid and base separated, showing my design.

FIG. 2 is a top isometric view thereof with the container in a closed position.

FIG. 3 is a bottom isometric view thereof with the container in a closed position.

FIG. 4 is a front elevation view thereof with the container in a closed position, the rear elevation, left side elevation, and right side elevation views being identical thereto.

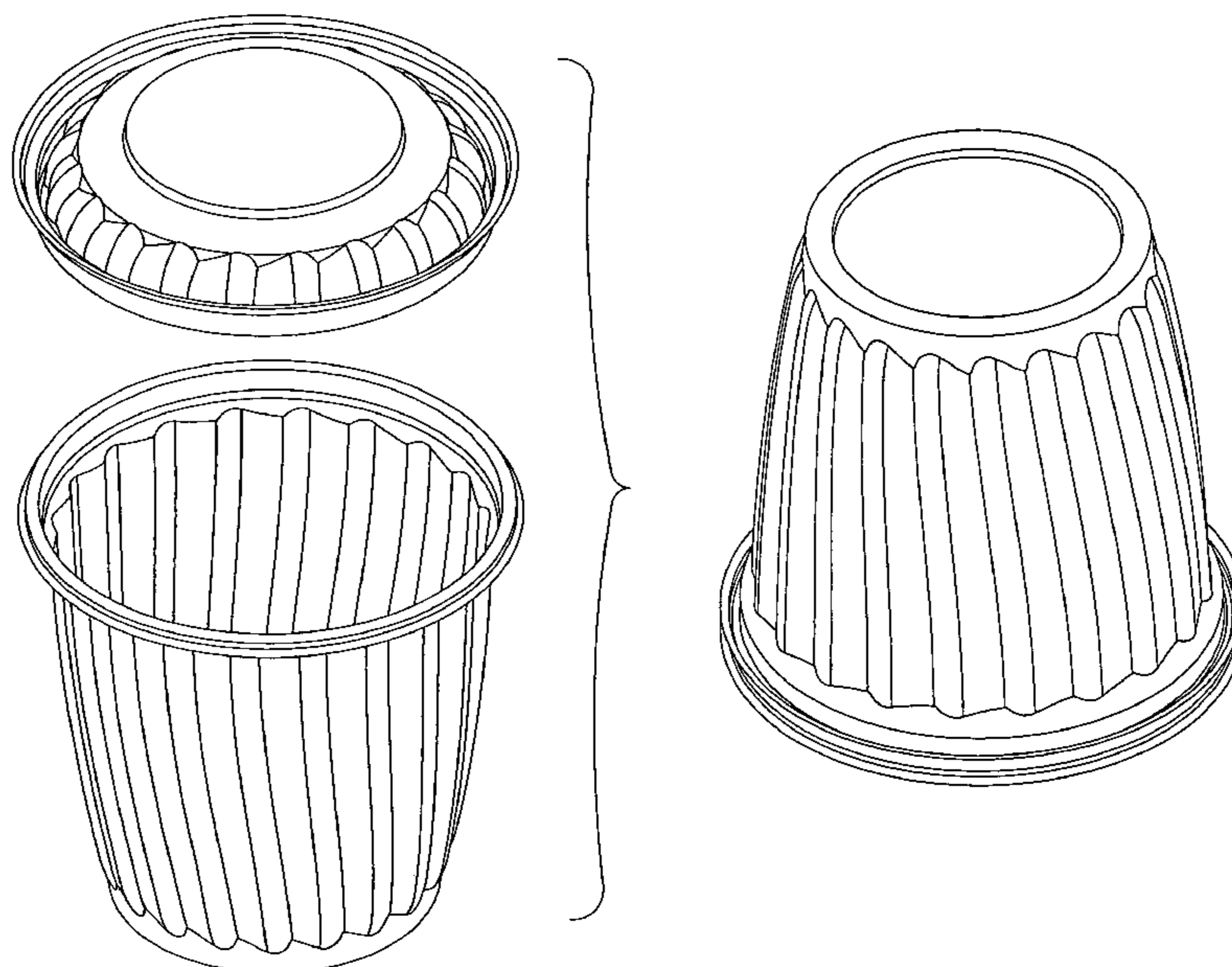
FIG. 5 is a top plan view thereof with the container in a closed position.

FIG. 6 is a bottom view thereof, with the container in a closed position.

FIG. 7 is an exploded front elevation view thereof, with the container in an open position, the rear elevation, left side elevation, and right side elevation exploded views being identical thereto; and,

FIG. 8 is a bottom plan view of the lid of the container.

**1 Claim, 4 Drawing Sheets**



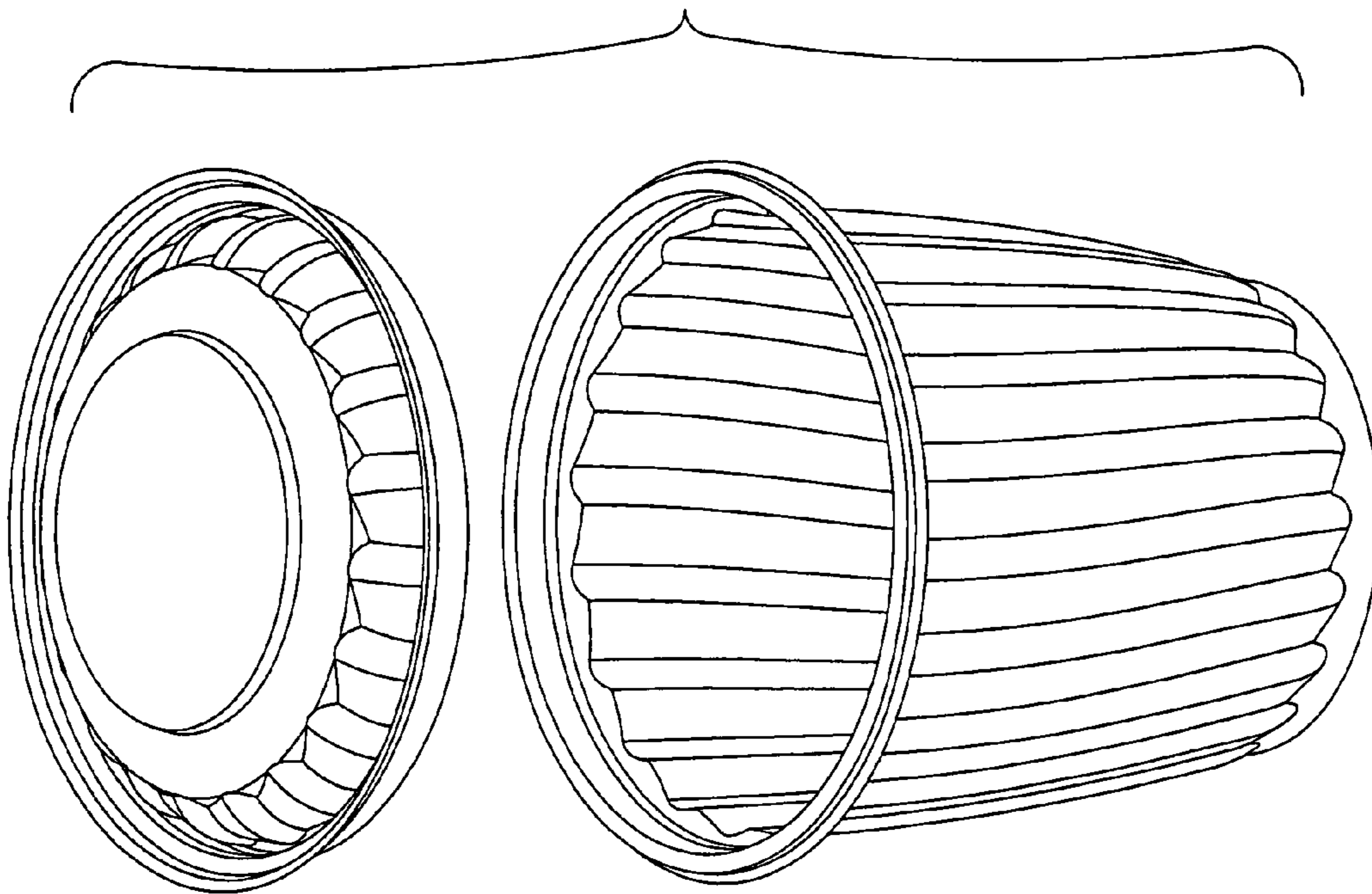


FIG. 1

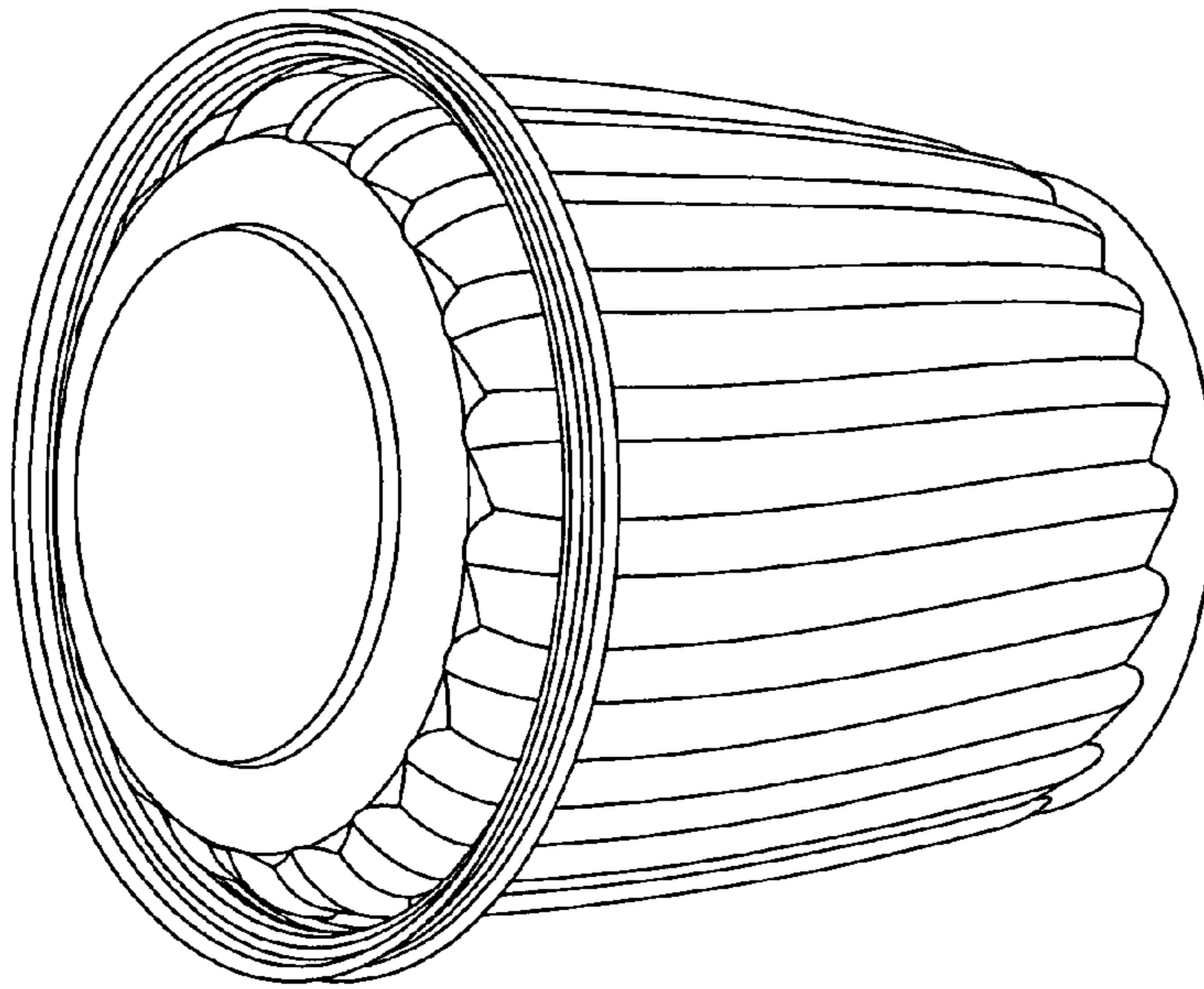


FIG. 2

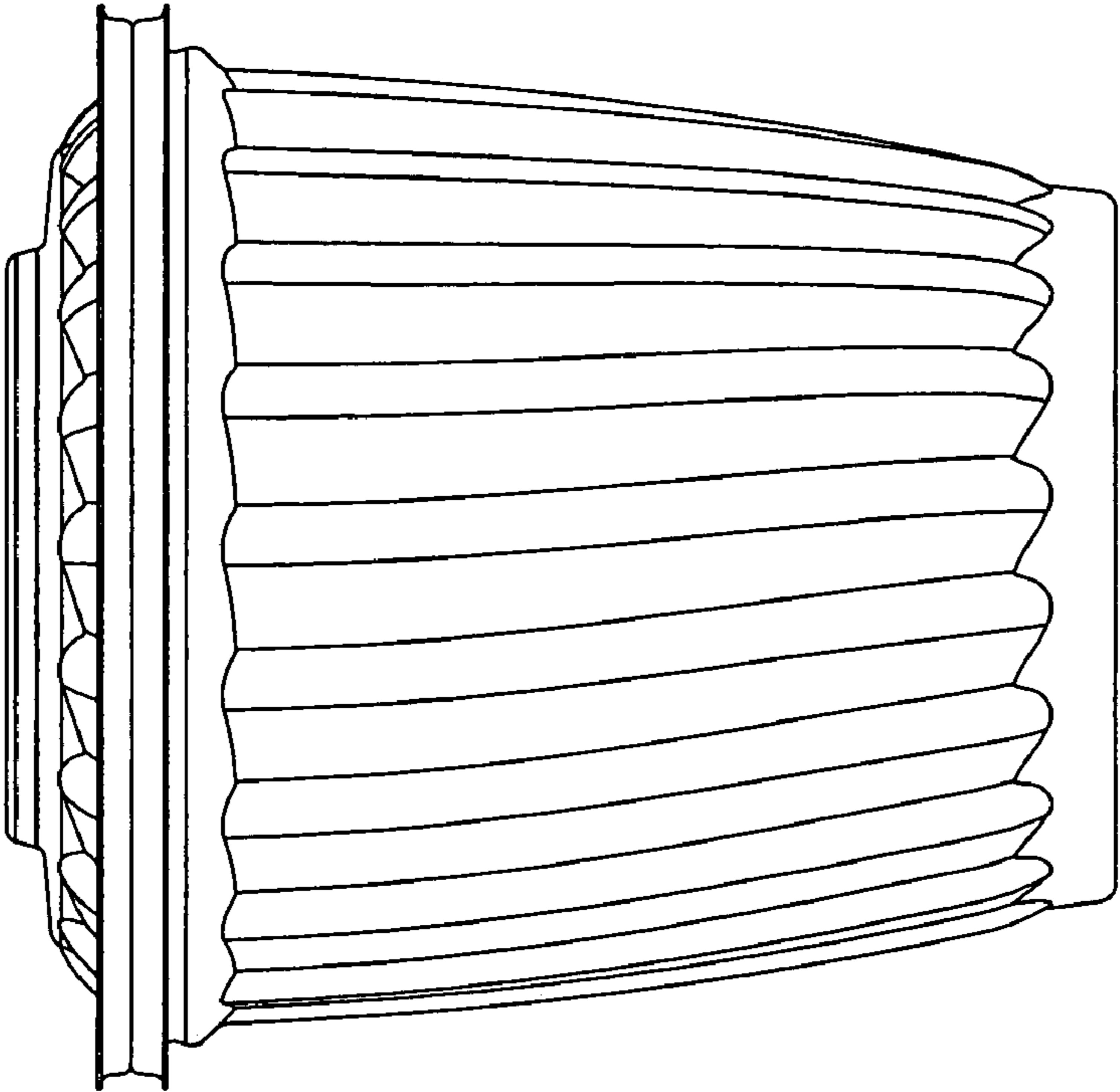


FIG. 4

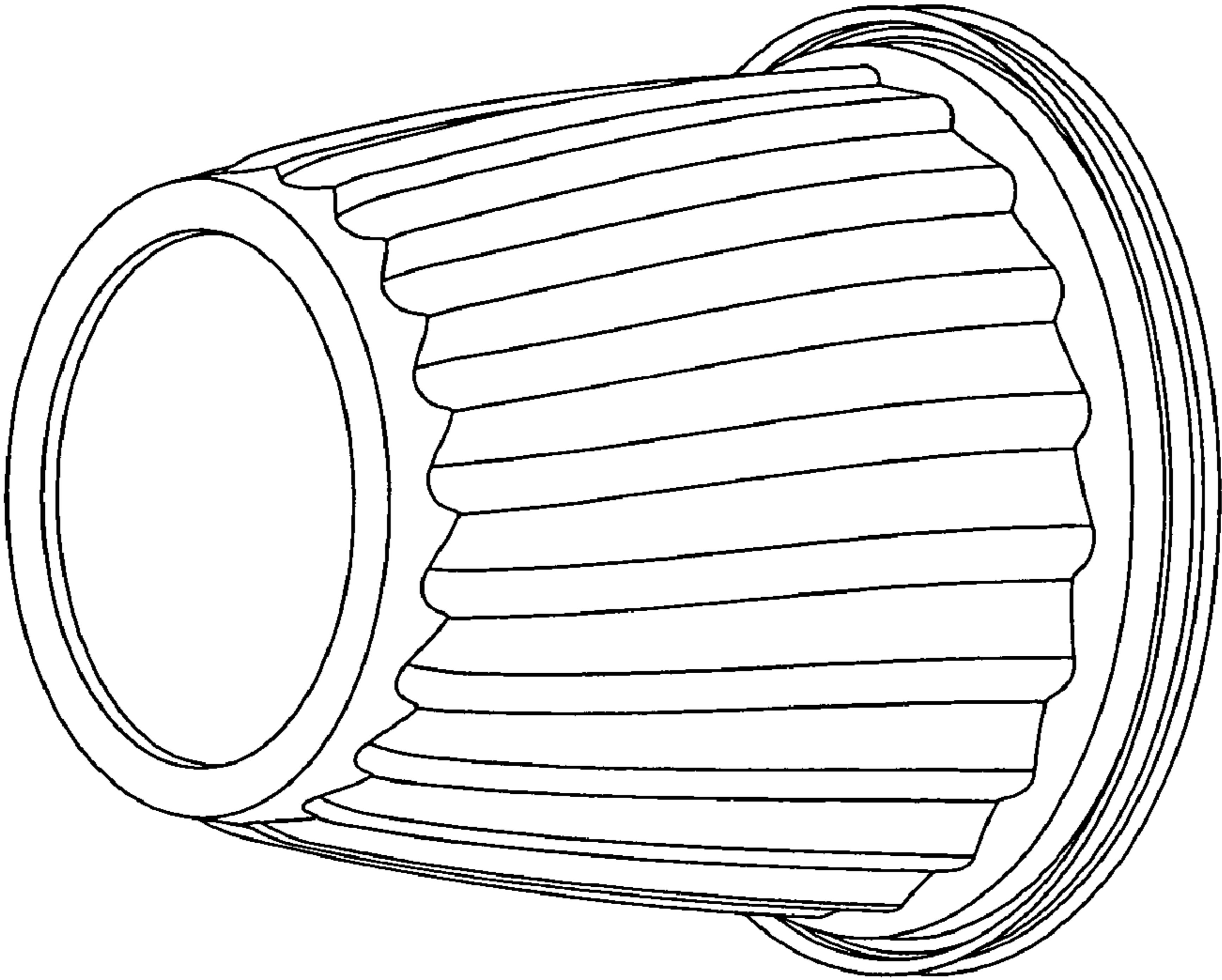


FIG. 3

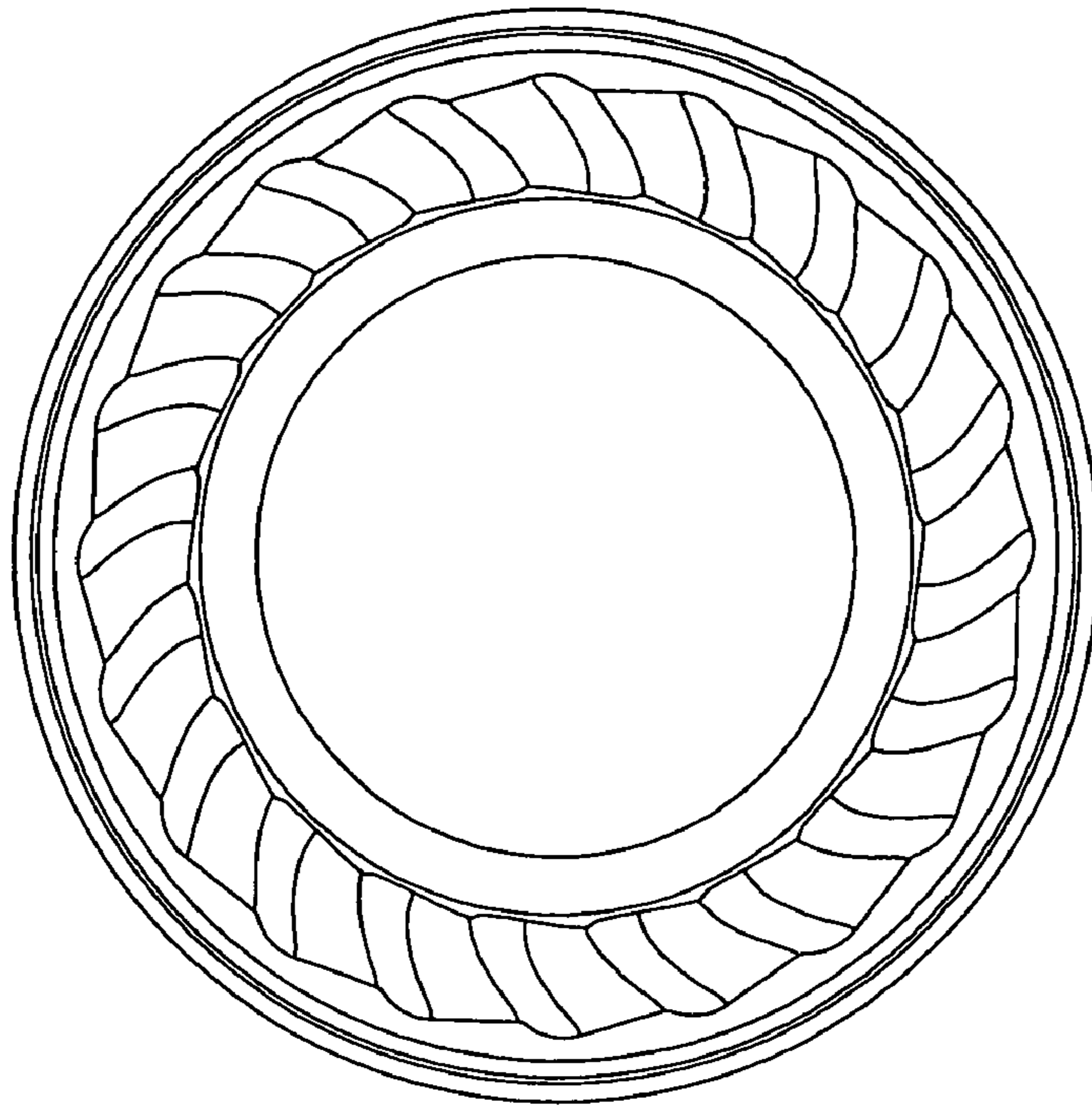


FIG. 6

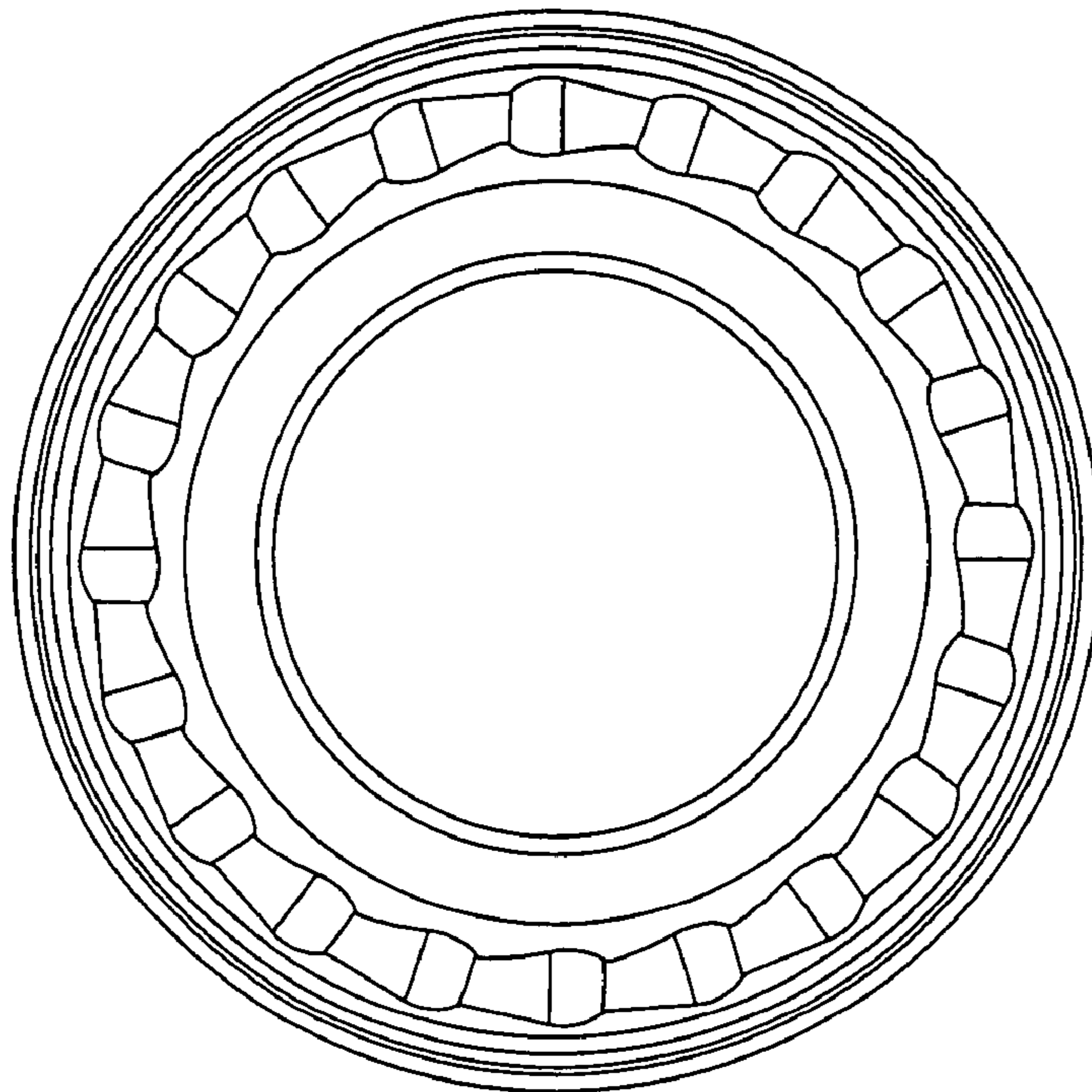


FIG. 5

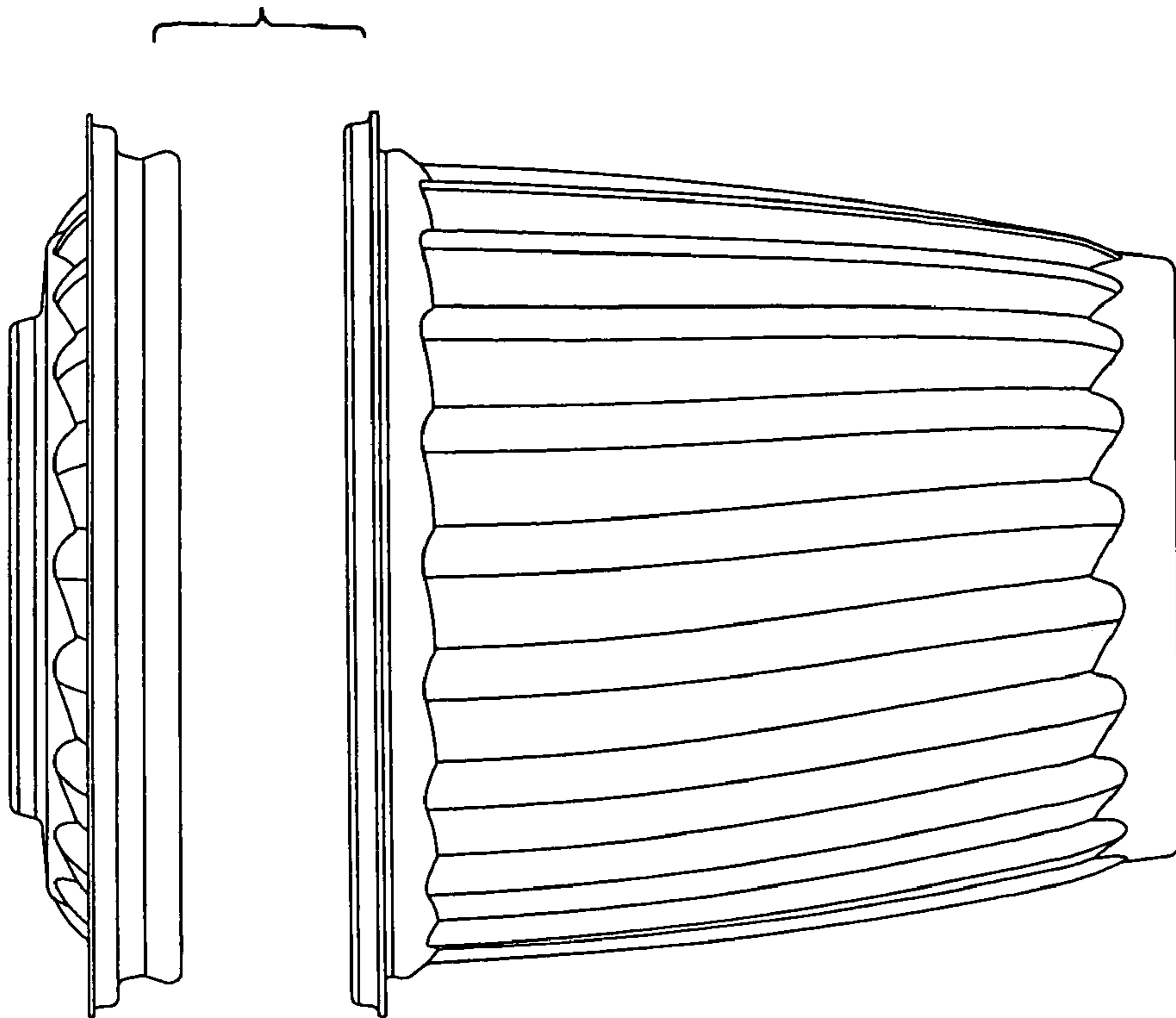


FIG. 7

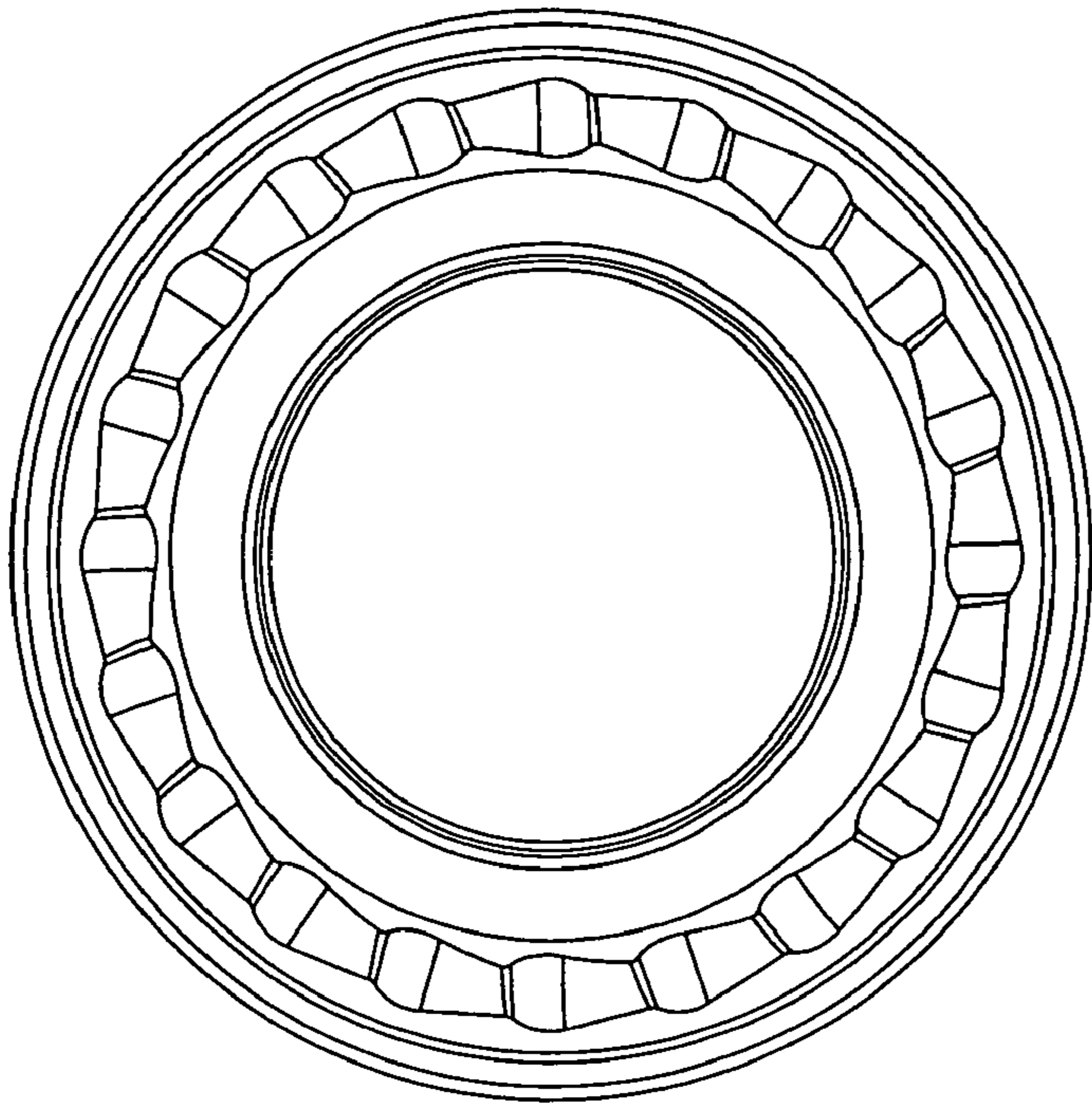


FIG. 8