



US00D570642S

(12) **United States Design Patent**
Svartström

(10) **Patent No.:** **US D570,642 S**
(45) **Date of Patent:** **** Jun. 10, 2008**

(54) **OUTDOOR STOVE**

(75) Inventor: **Eric Svartström**, Uppsala (SE)

(73) Assignee: **Primus, AB**, Ornskoldsvik (SE)

(**) Term: **14 Years**

(21) Appl. No.: **29/275,752**

(22) Filed: **Jan. 5, 2007**

(30) **Foreign Application Priority Data**

Jul. 5, 2006 (EM) 000555461-0001

(51) **LOC (8) Cl.** **07-02**

(52) **U.S. Cl.** **D7/337**

(58) **Field of Classification Search** D7/340,
D7/347, 348, 332, 334-337, 339, 323, 402-405;
126/29, 25 R, 25 A, 25 AA, 9 R, 9 B, 37 R,
126/41 R, 40, 33, 369.2, 377.1, 276, 268;
99/450, 481-482

See application file for complete search history.

(56) **References Cited**

U.S. PATENT DOCUMENTS

4,624,239 A * 11/1986 Yellin 126/25 R
D287,091 S * 12/1986 Elliston D7/337

D292,163 S * 10/1987 Mashburn et al. D7/337
D468,960 S * 1/2003 Hung D7/402
2006/0048764 A1 * 3/2006 Mashburn 126/25 R
2007/0181008 A1 * 8/2007 Pawlick et al. 99/450

* cited by examiner

Primary Examiner—Ruth McInroy

(74) *Attorney, Agent, or Firm*—Greenberg Traurig, LLP;
James Goepel

(57) **CLAIM**

The ornamental design for an outdoor stove, as shown and described.

DESCRIPTION

FIG. 1 is a top perspective view of the outdoor stove, showing the present design;

FIG. 2 is a bottom plan view of the present design;

FIG. 3 is a back elevation view of the present design;

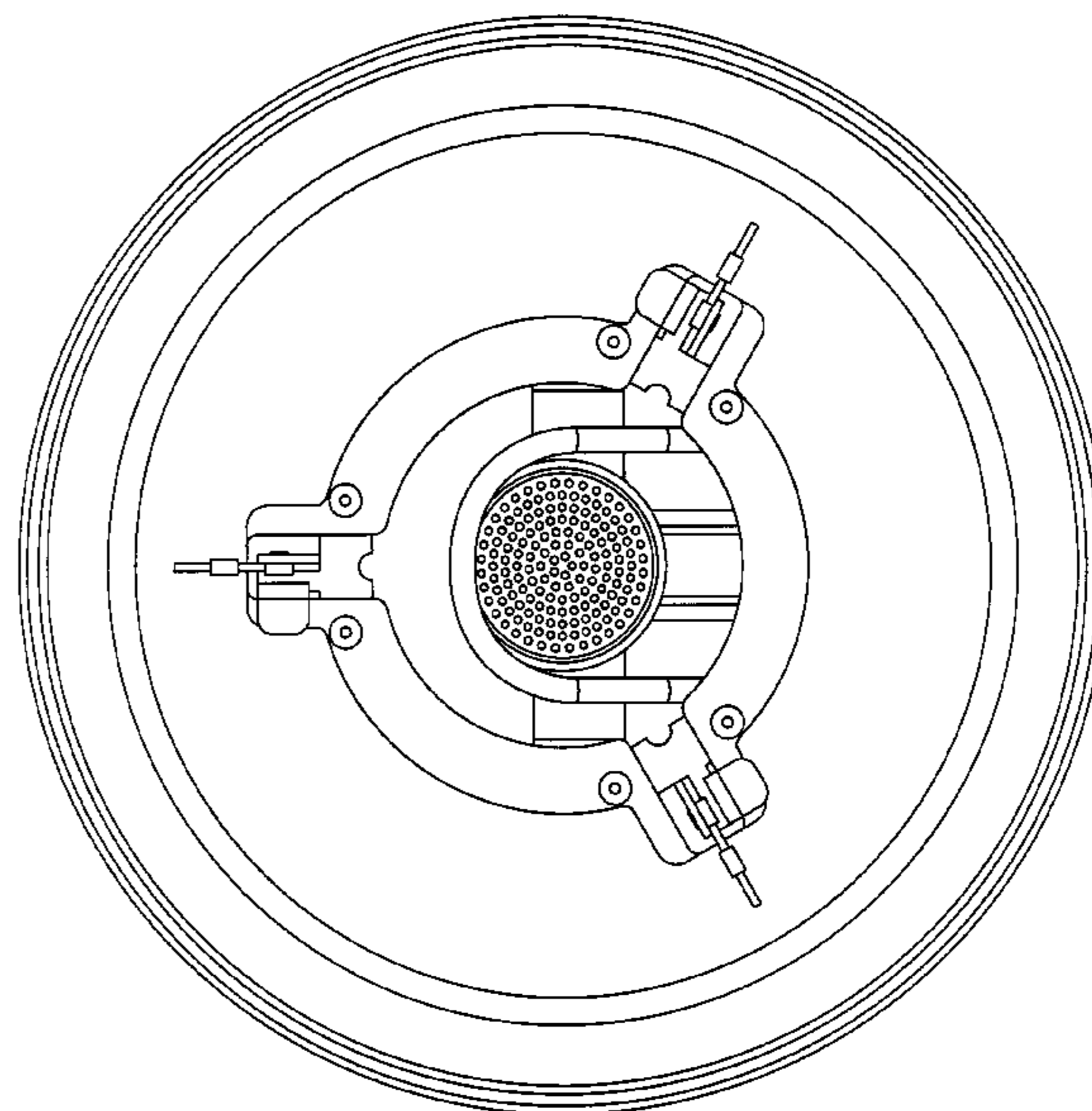
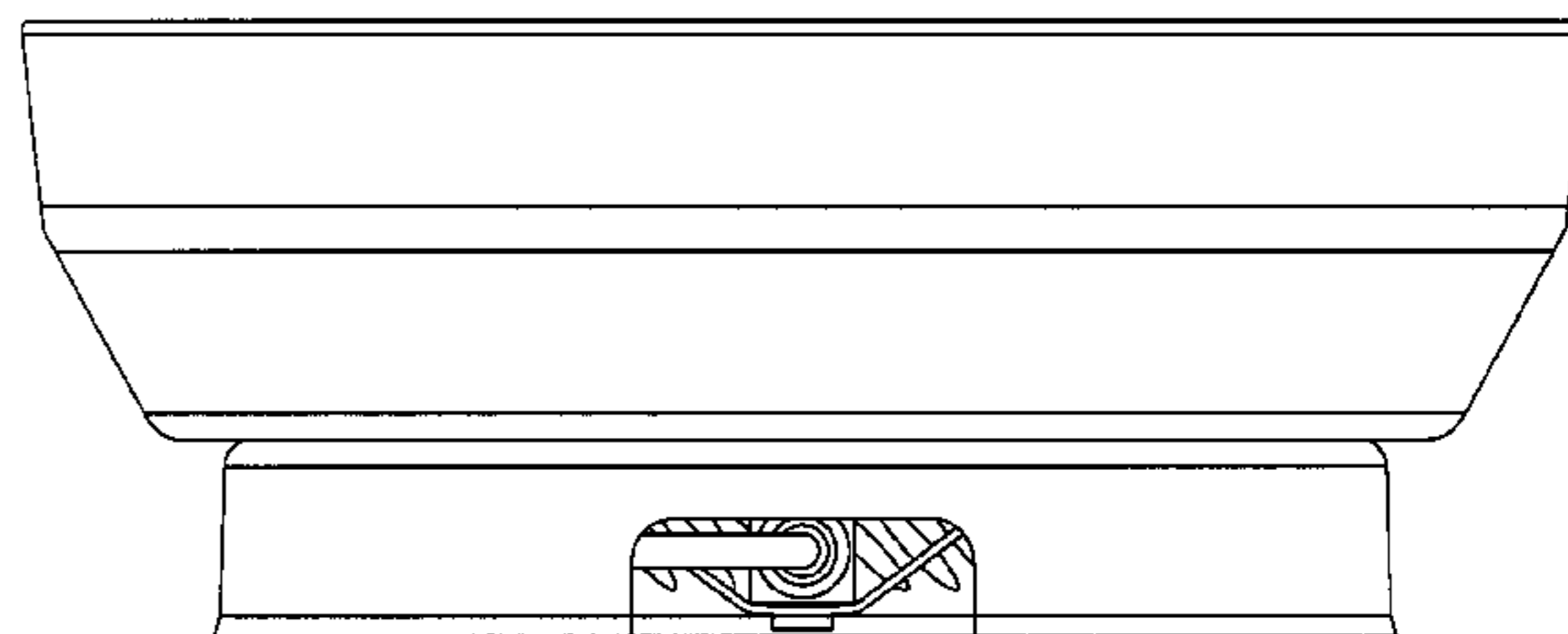
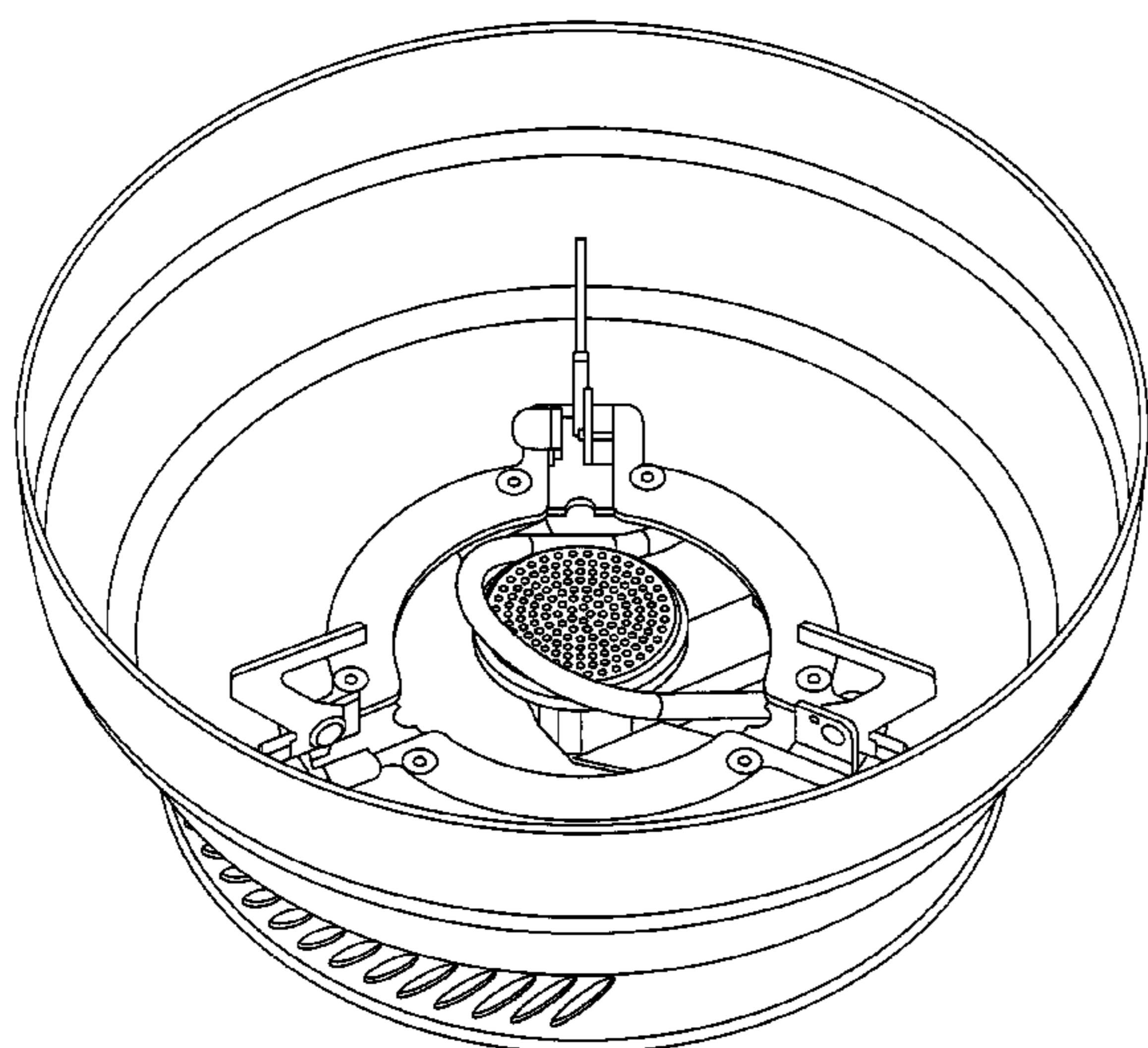
FIG. 4 is a left elevation view of the present design;

FIG. 5 is a front elevation view of the present design;

FIG. 6 is a right elevation view of the present design; and,

FIG. 7 is a top plan view of the present design.

1 Claim, 5 Drawing Sheets



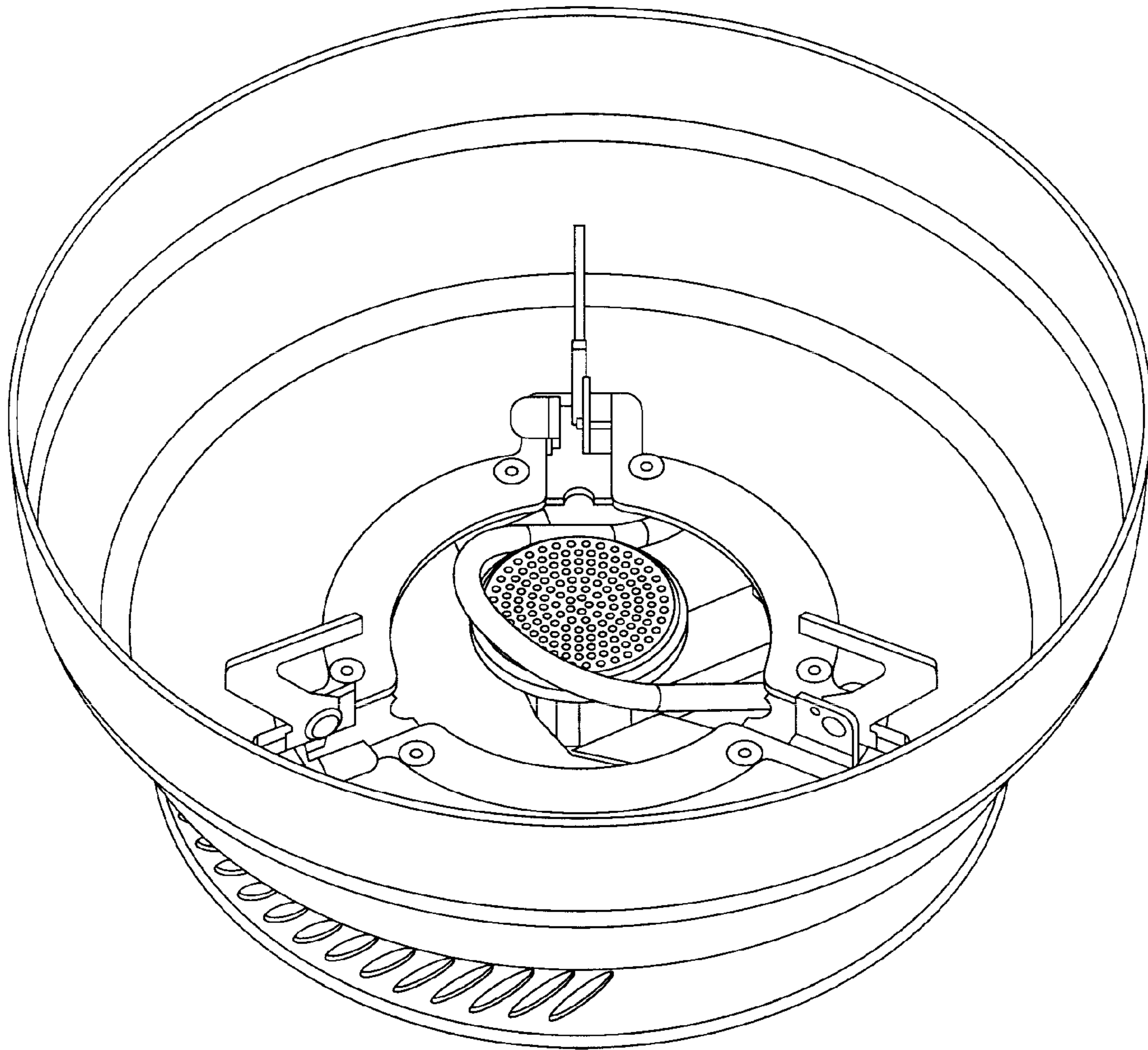


FIGURE 1

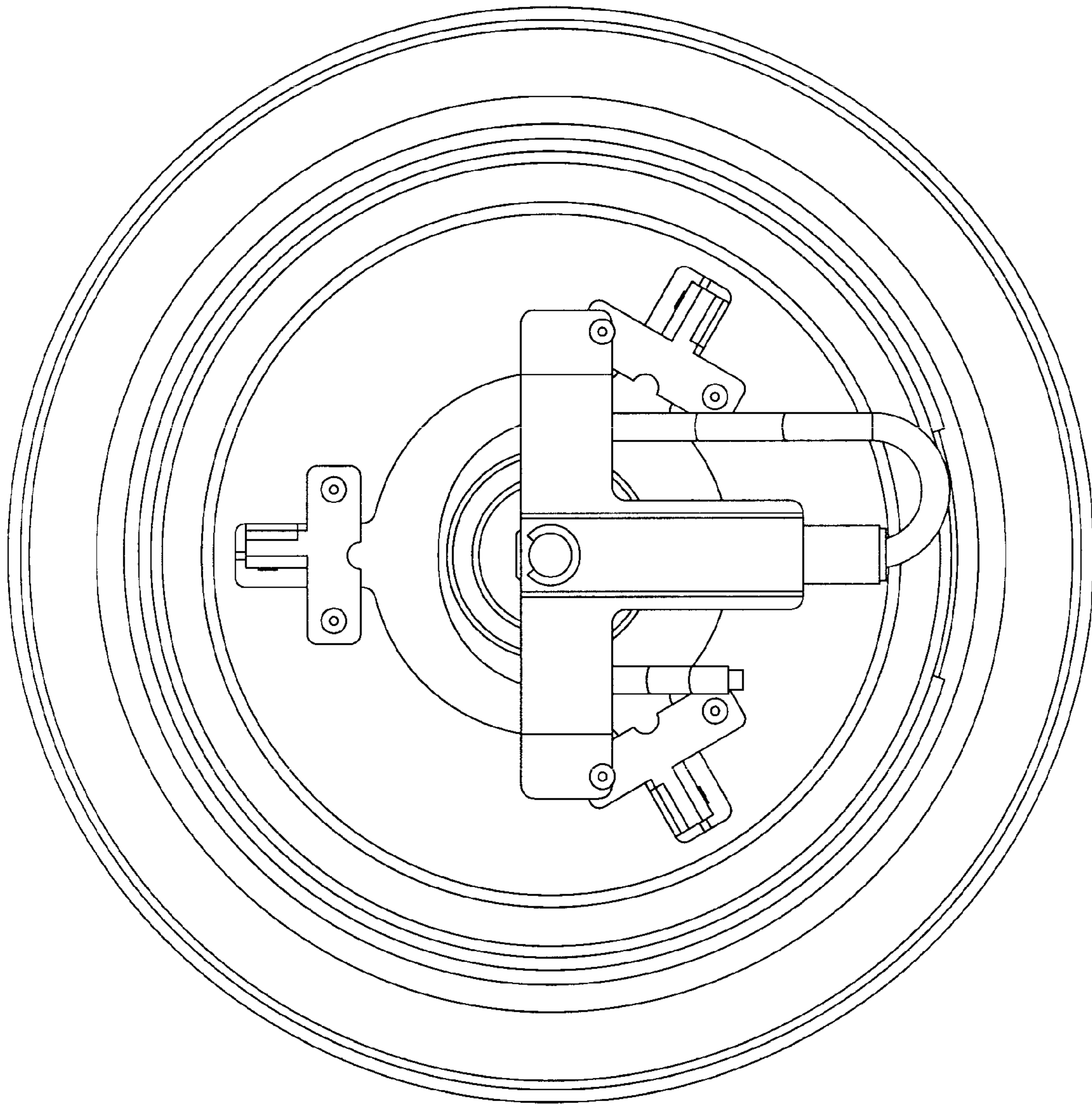


FIGURE 2

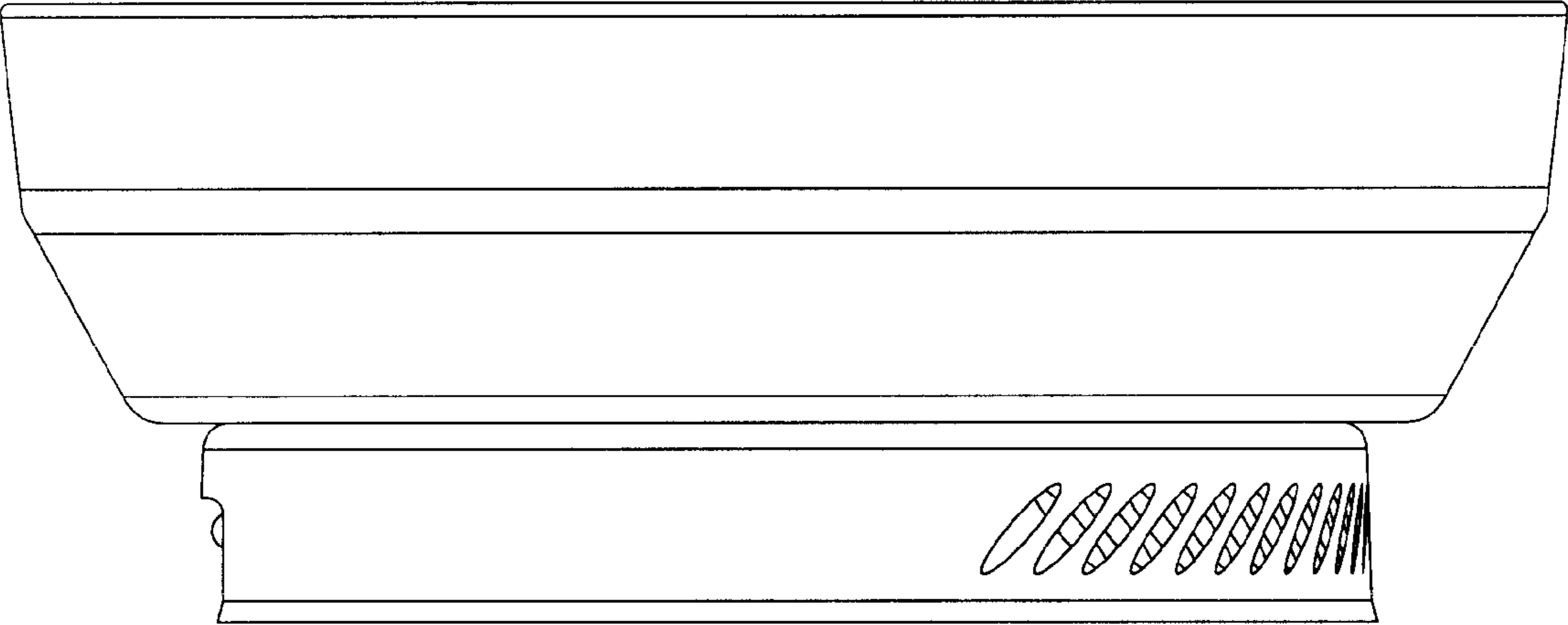


FIGURE 3

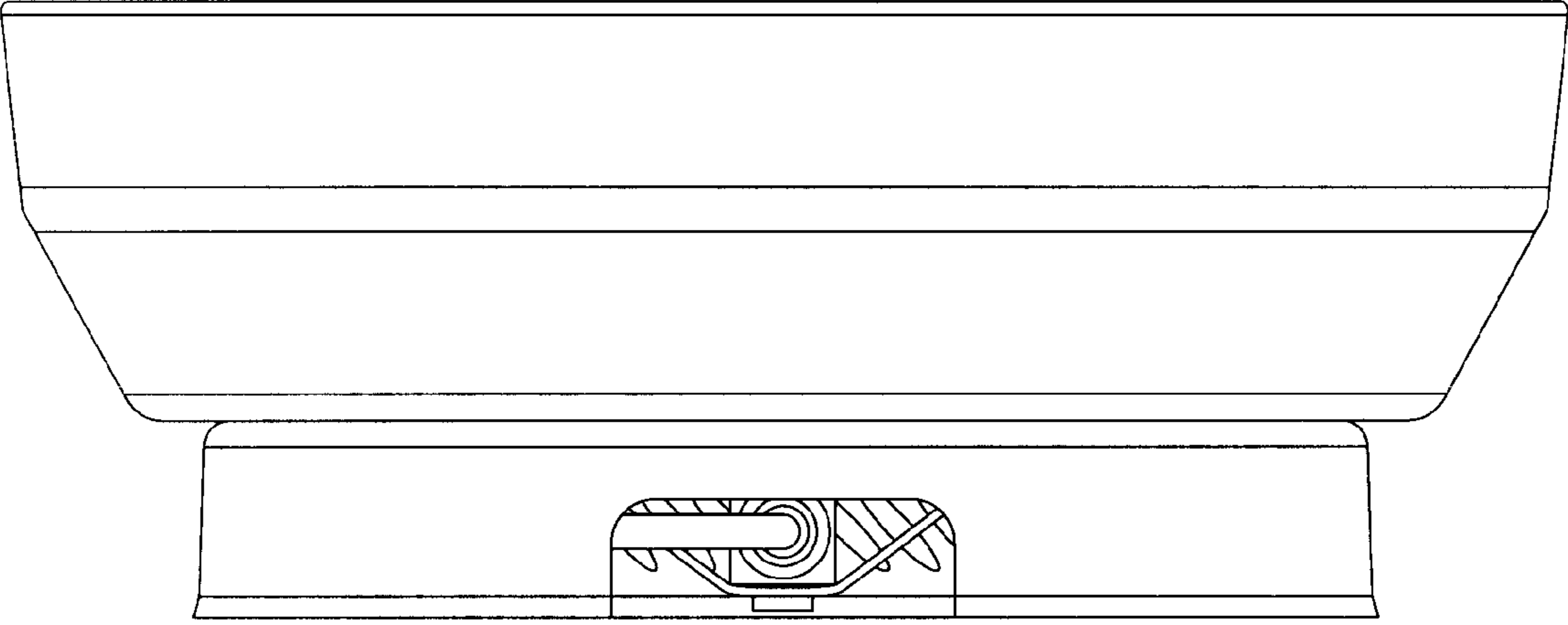


FIGURE 4

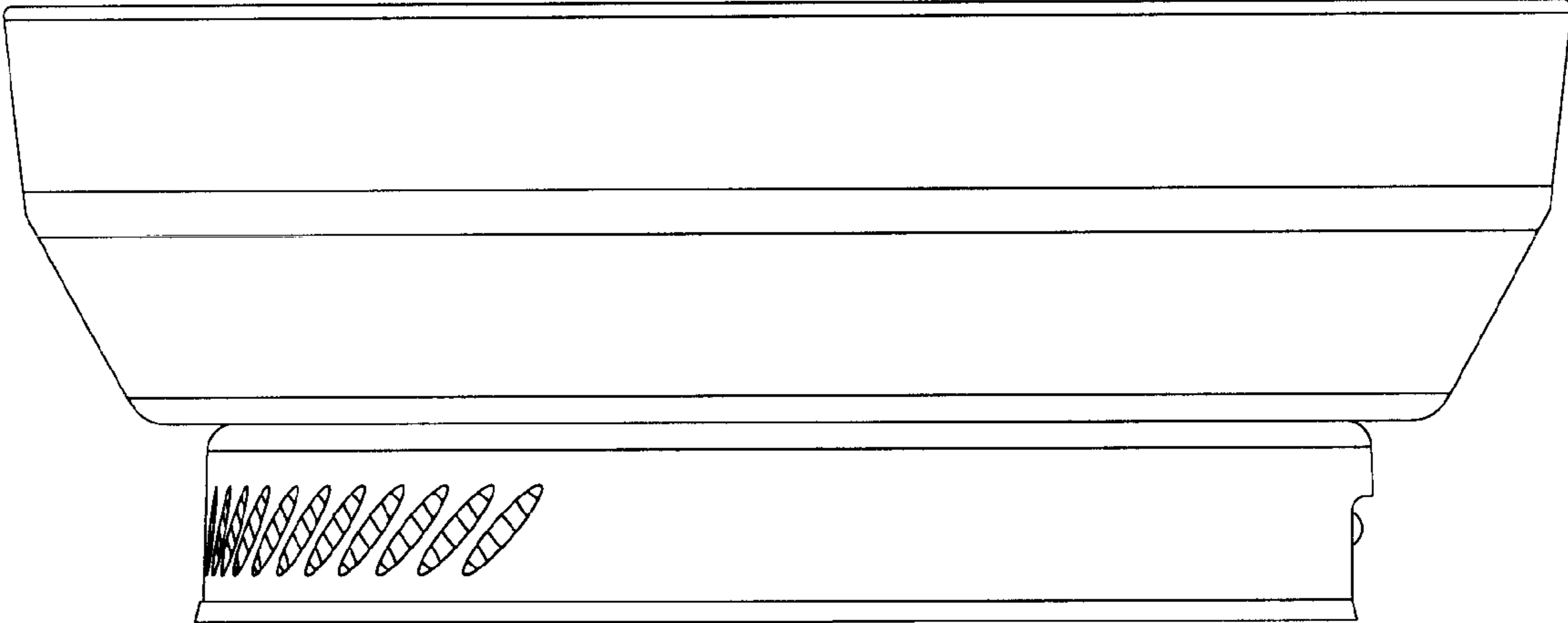


FIGURE 5

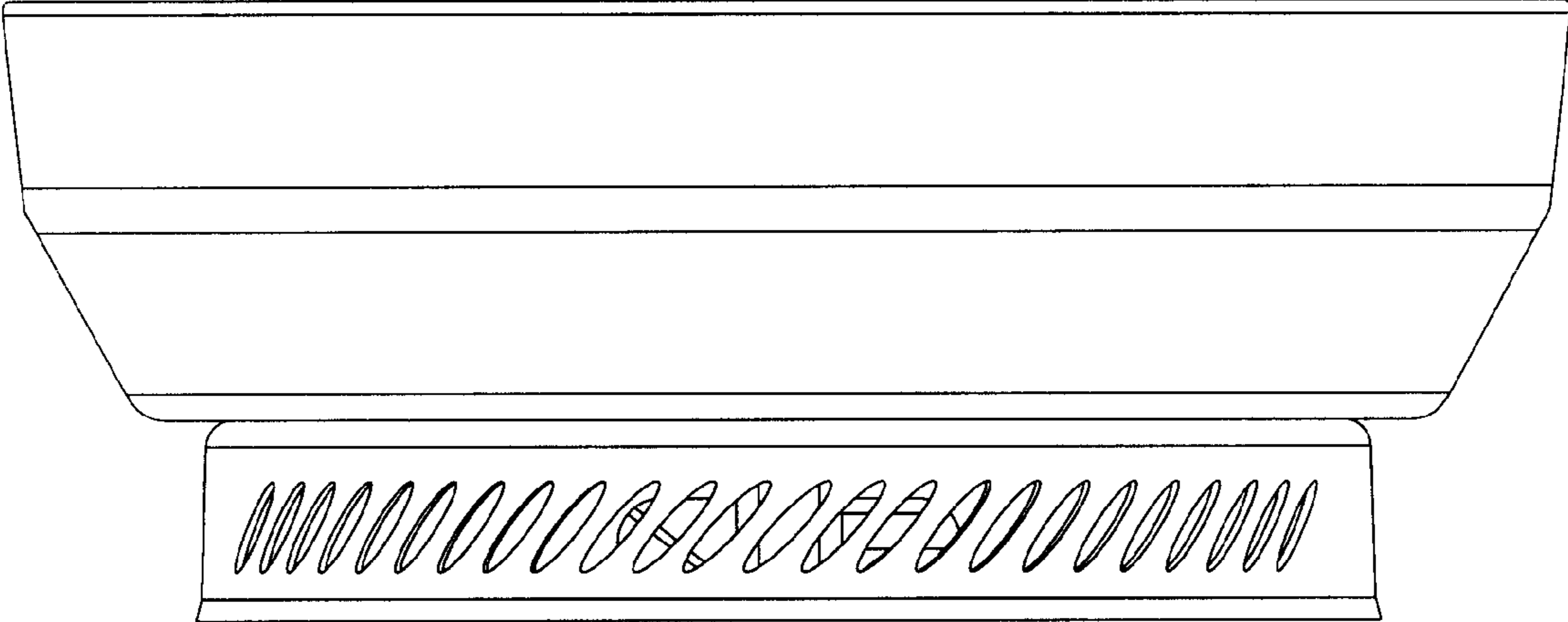


FIGURE 6

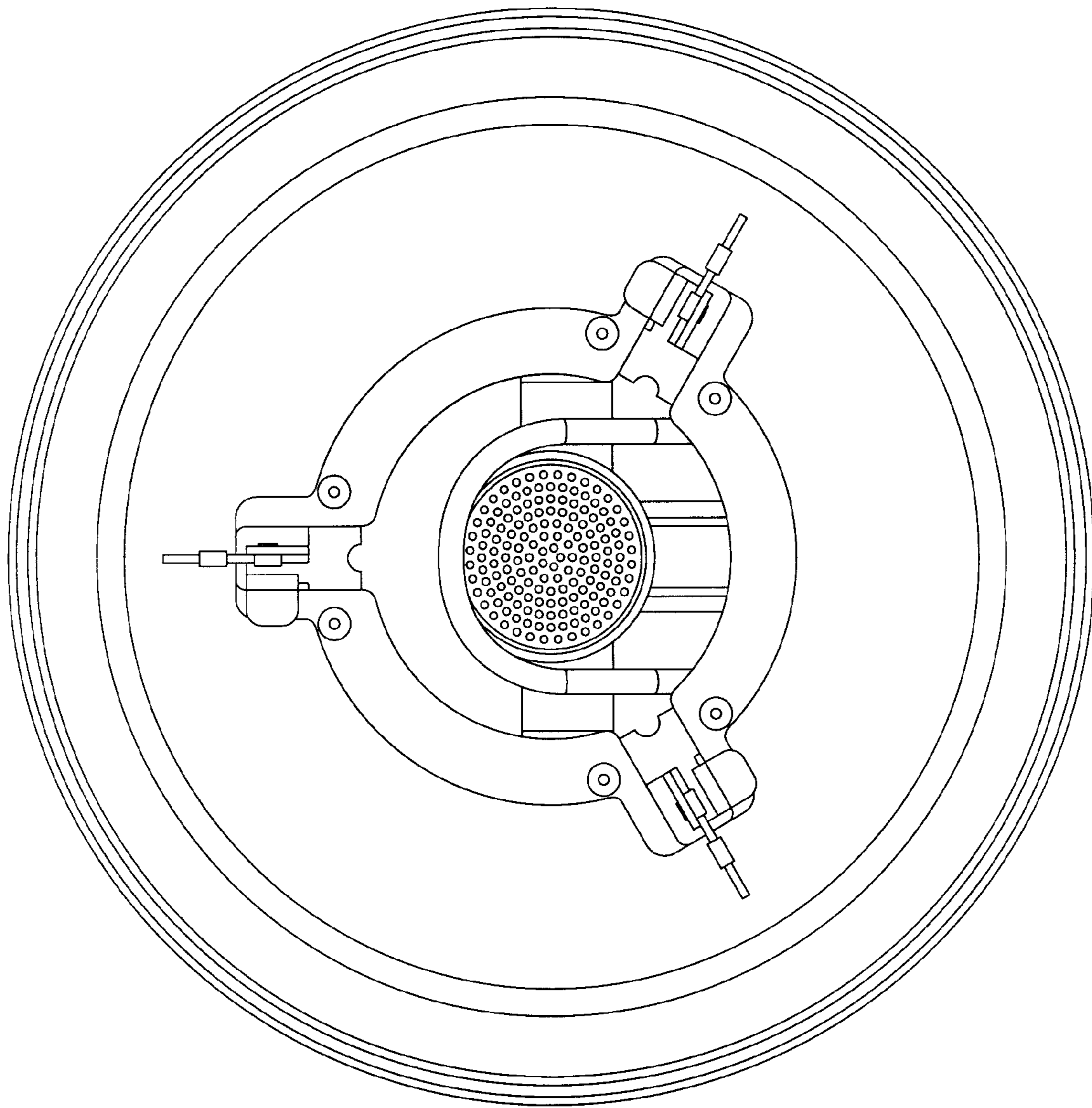


FIGURE 7