



US00D570640S

(12) **United States Design Patent**
Brunner

(10) **Patent No.:** **US D570,640 S**

(45) **Date of Patent:** **** Jun. 10, 2008**

(54) **OUTDOOR GRILL**

(76) Inventor: **Robert Brunner**, 642 Carolina St., San Francisco, CA (US) 94107

(**) Term: **14 Years**

(21) Appl. No.: **29/286,963**

(22) Filed: **May 22, 2007**

(51) **LOC (8) Cl.** **07-02**

(52) **U.S. Cl.** **D7/332**

(58) **Field of Classification Search** D7/340,
D7/347, 348, 332, 334-337, 339, 323, 402-405;
D6/432, 436, 445, 446, 481; 126/29, 25 R,
126/25 A, 25 AA, 9 R, 9 B, 37 R, 41 R,
126/40, 33, 369.2, 377.1, 276, 268; 312/236,
312/140.1, 140.4, 284, 283; 99/450, 481-482
See application file for complete search history.

(56) **References Cited**

U.S. PATENT DOCUMENTS

- D186,927 S * 12/1959 Andrews D7/339
- D222,515 S * 10/1971 Goetz D7/339
- D282,612 S * 2/1986 Moore, Jr. D6/481
- D283,589 S * 4/1986 Erlandson et al. D7/347

- D300,591 S * 4/1989 Marchais D6/481
- D302,221 S * 7/1989 Suttles et al. D6/481
- 5,255,664 A * 10/1993 Gurliacci 126/276
- D348,367 S * 7/1994 Geisen et al. D6/481
- D349,617 S * 8/1994 Herman D6/481
- D560,420 S * 1/2008 Roth D7/334

* cited by examiner

Primary Examiner—Ruth McInroy

(57) **CLAIM**

I claim the ornamental design for an outdoor grill, as shown and described.

DESCRIPTION

FIG. 1 is a perspective view of an outdoor grill showing my new design;

FIG. 2 is a front side plan view of the outdoor grill;

FIG. 3 is a back side plan view thereof;

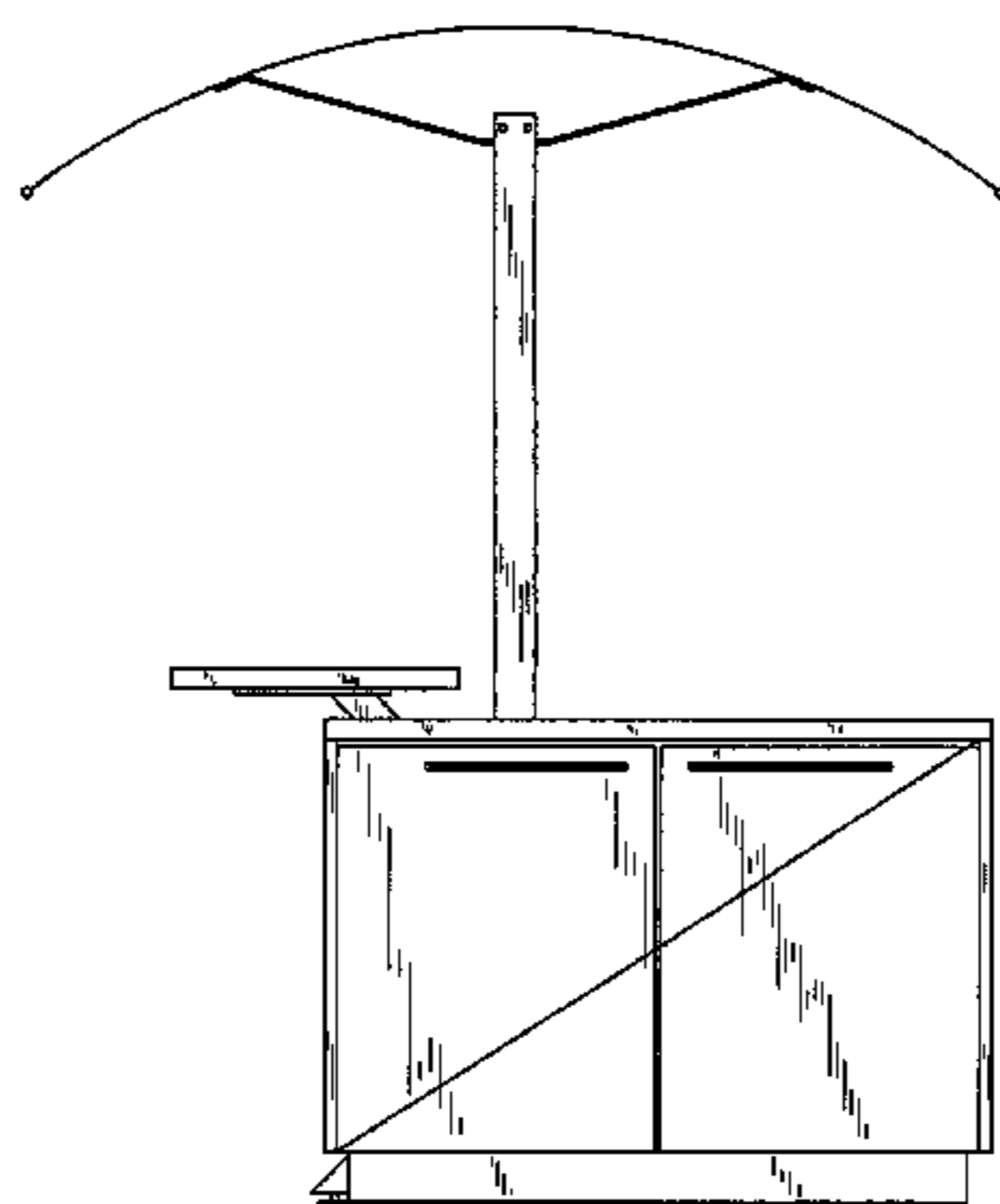
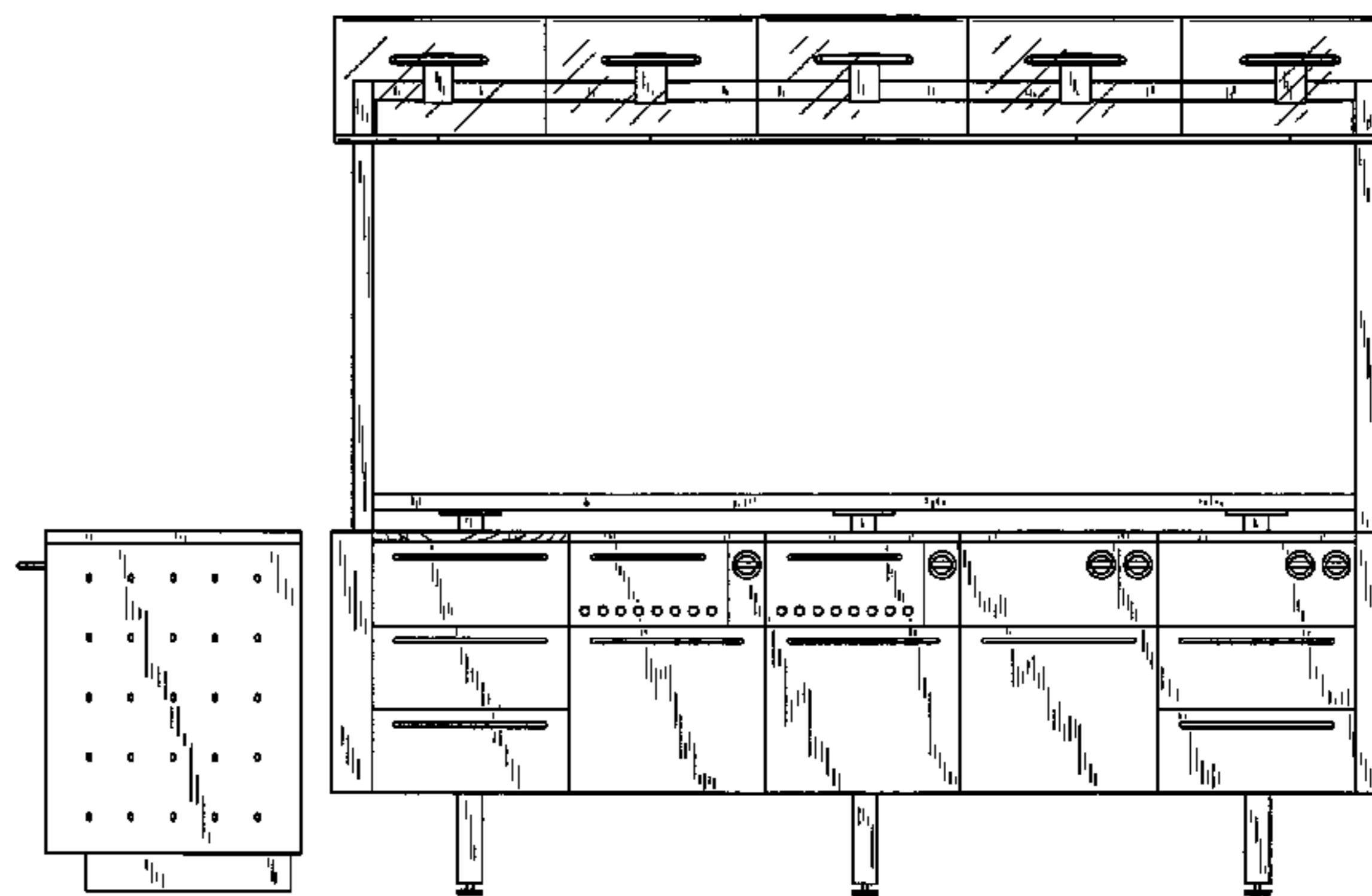
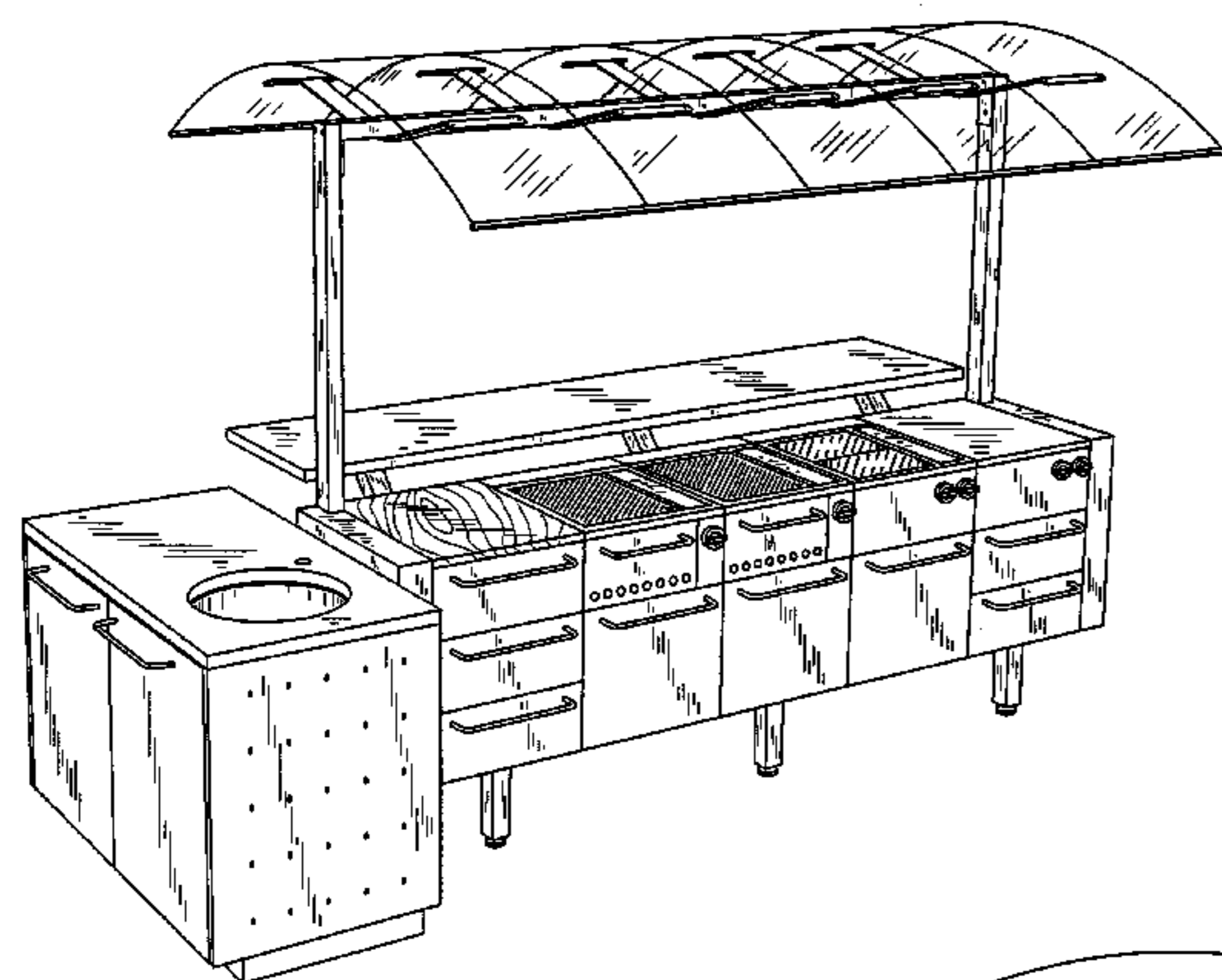
FIG. 4 is a top side plan view thereof;

FIG. 5 is a bottom side plan view thereof;

FIG. 6 is a right side plan view thereof; and,

FIG. 7 is a left side plan view thereof.

1 Claim, 7 Drawing Sheets



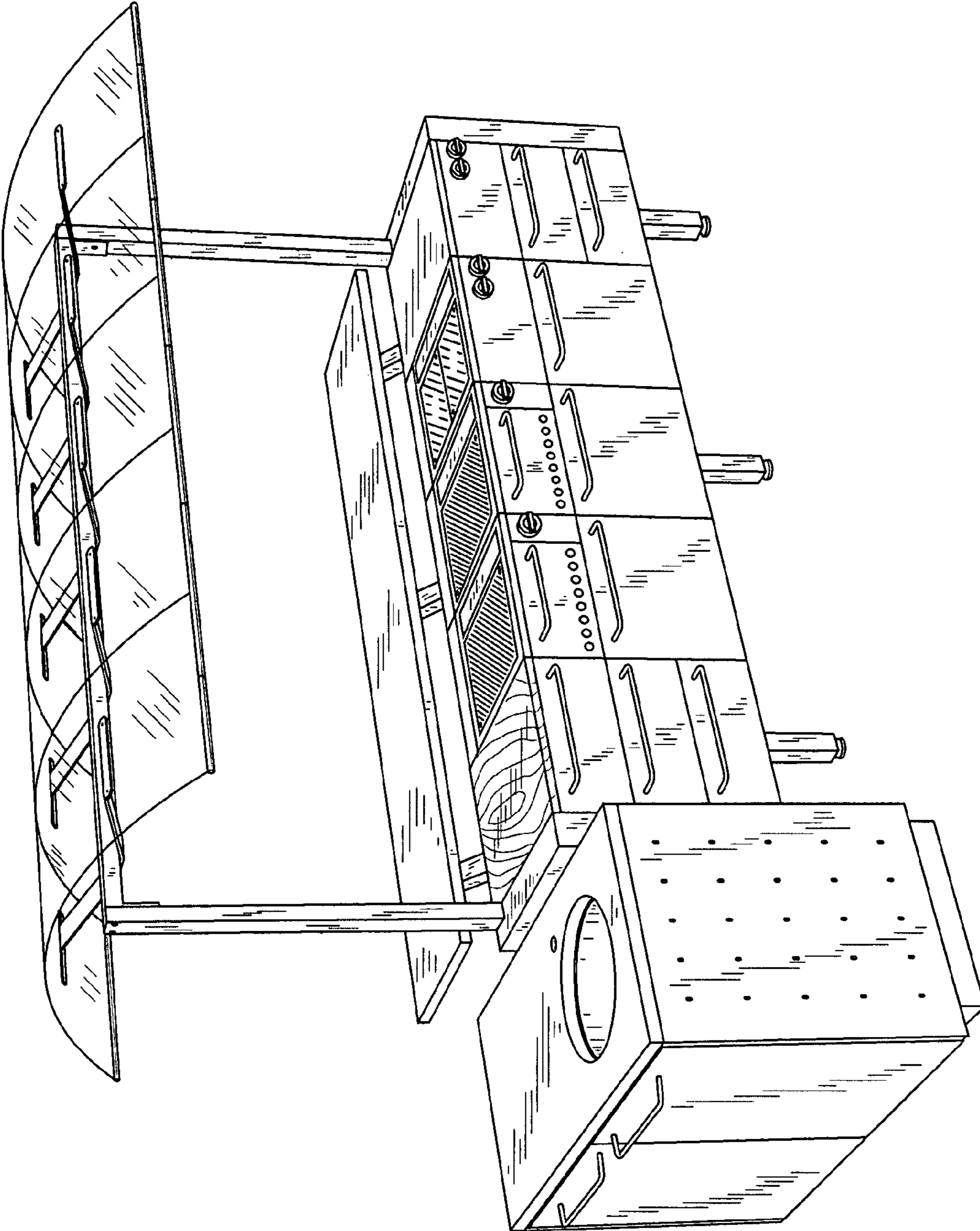


FIG. 1

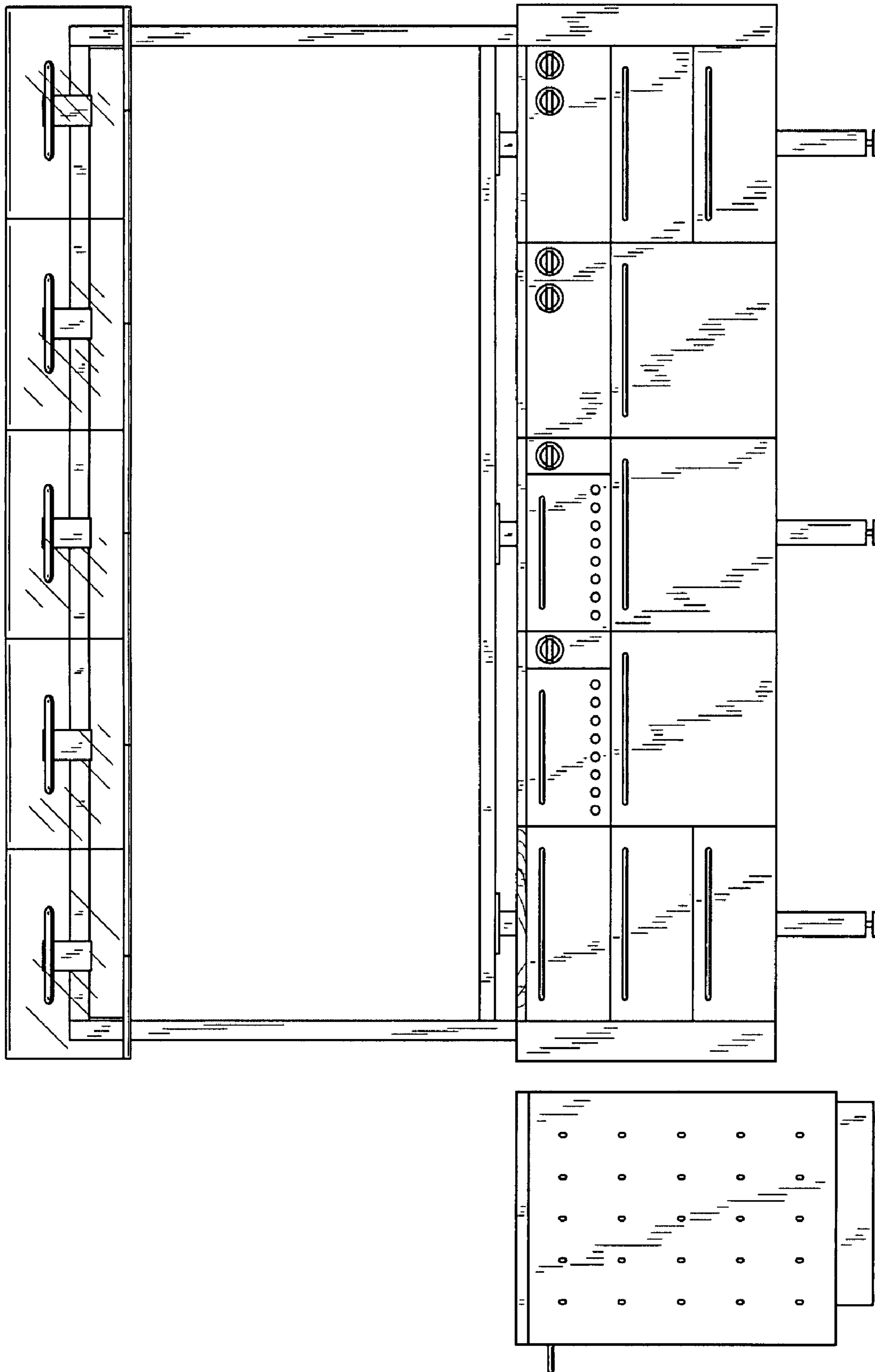


FIG. 2

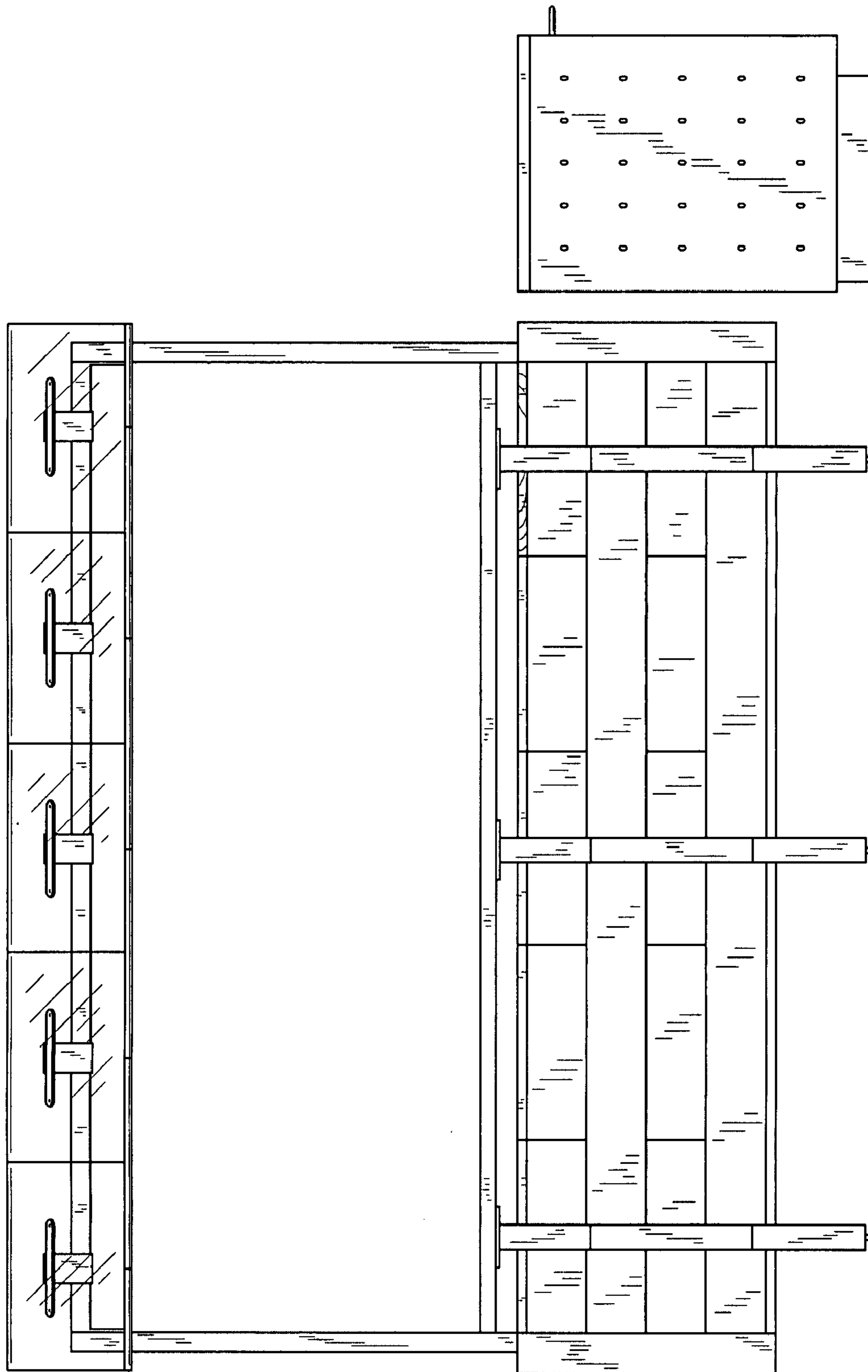


FIG. 3

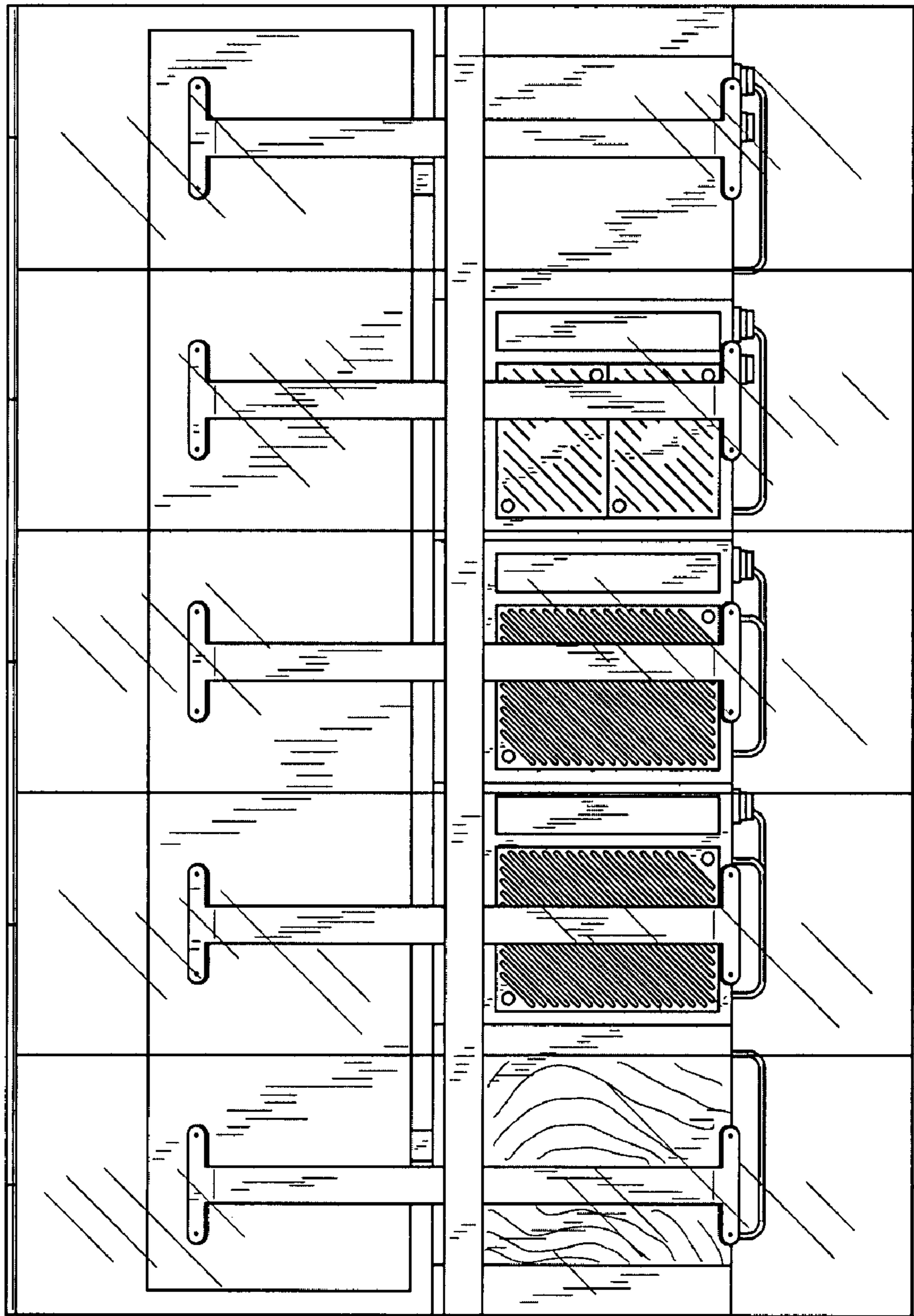
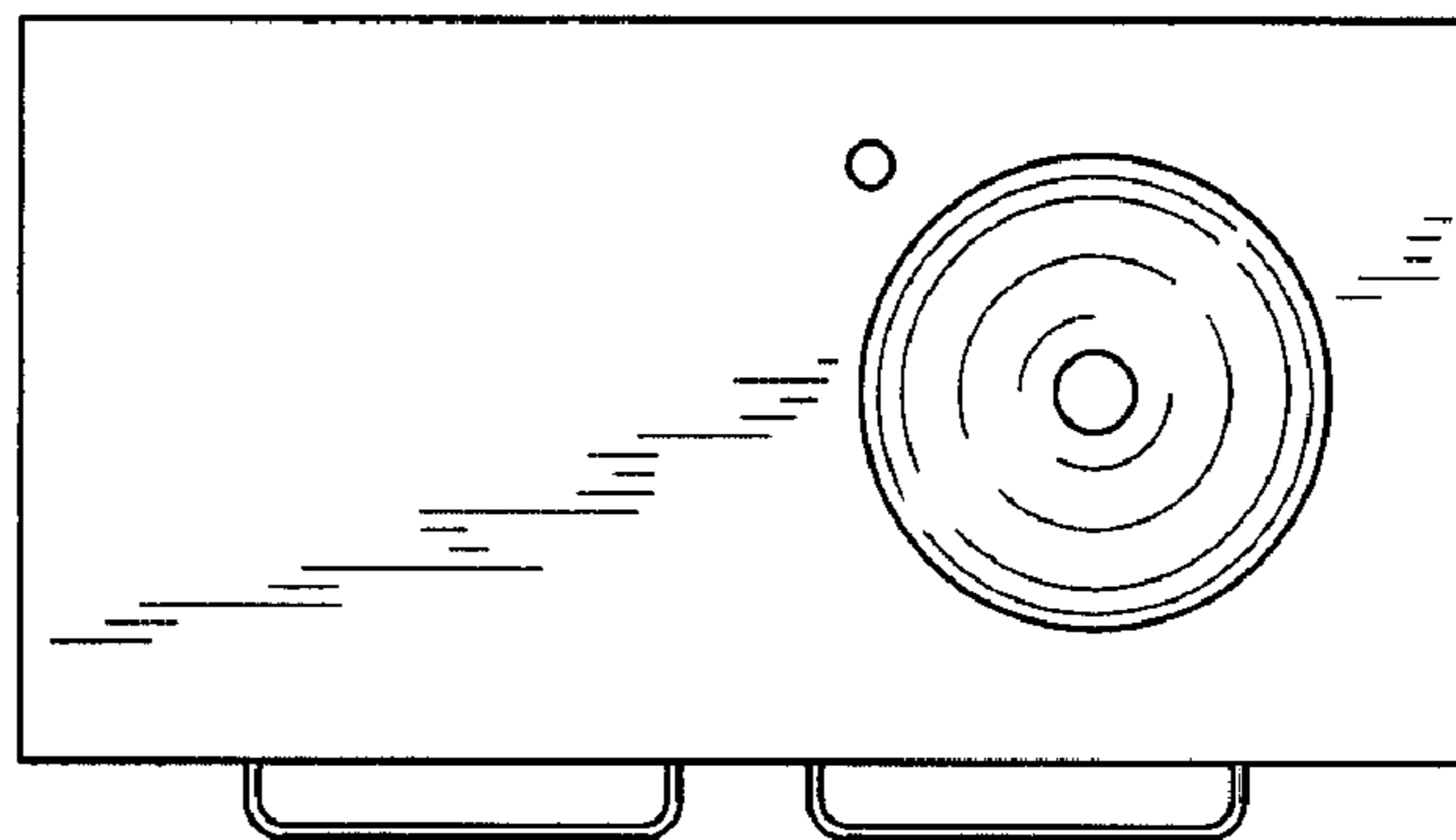


FIG. 4



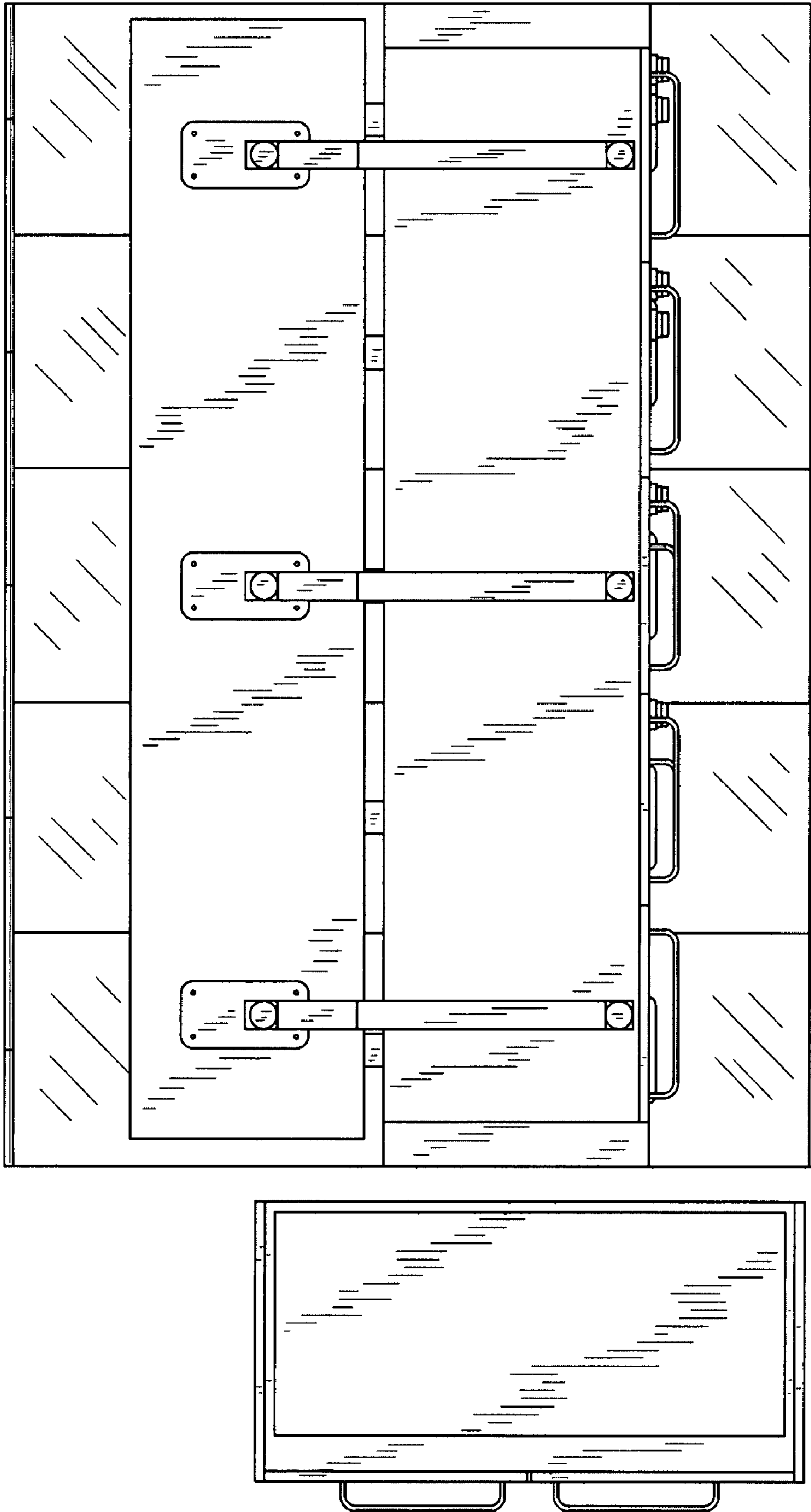


FIG. 5

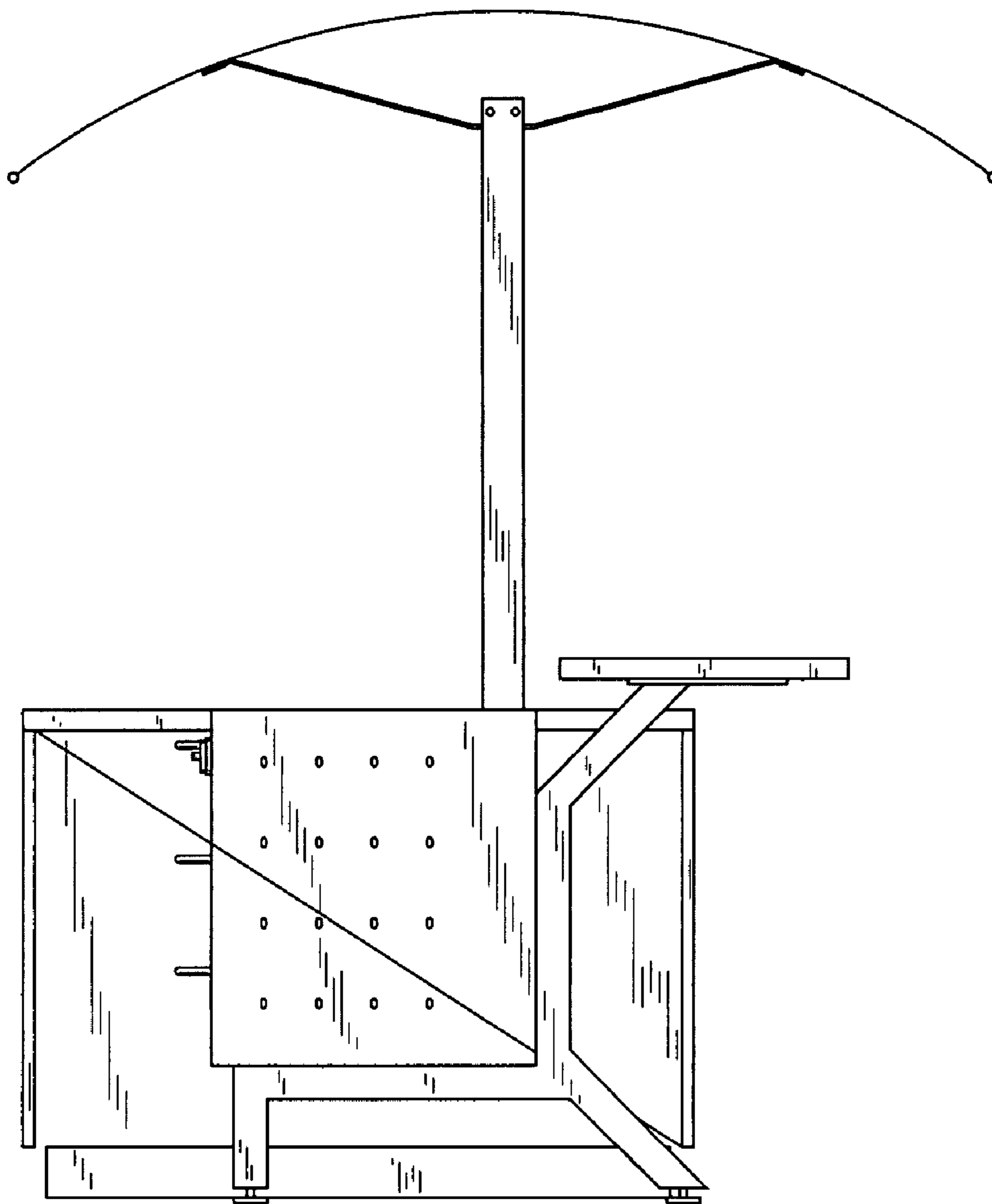


FIG. 6

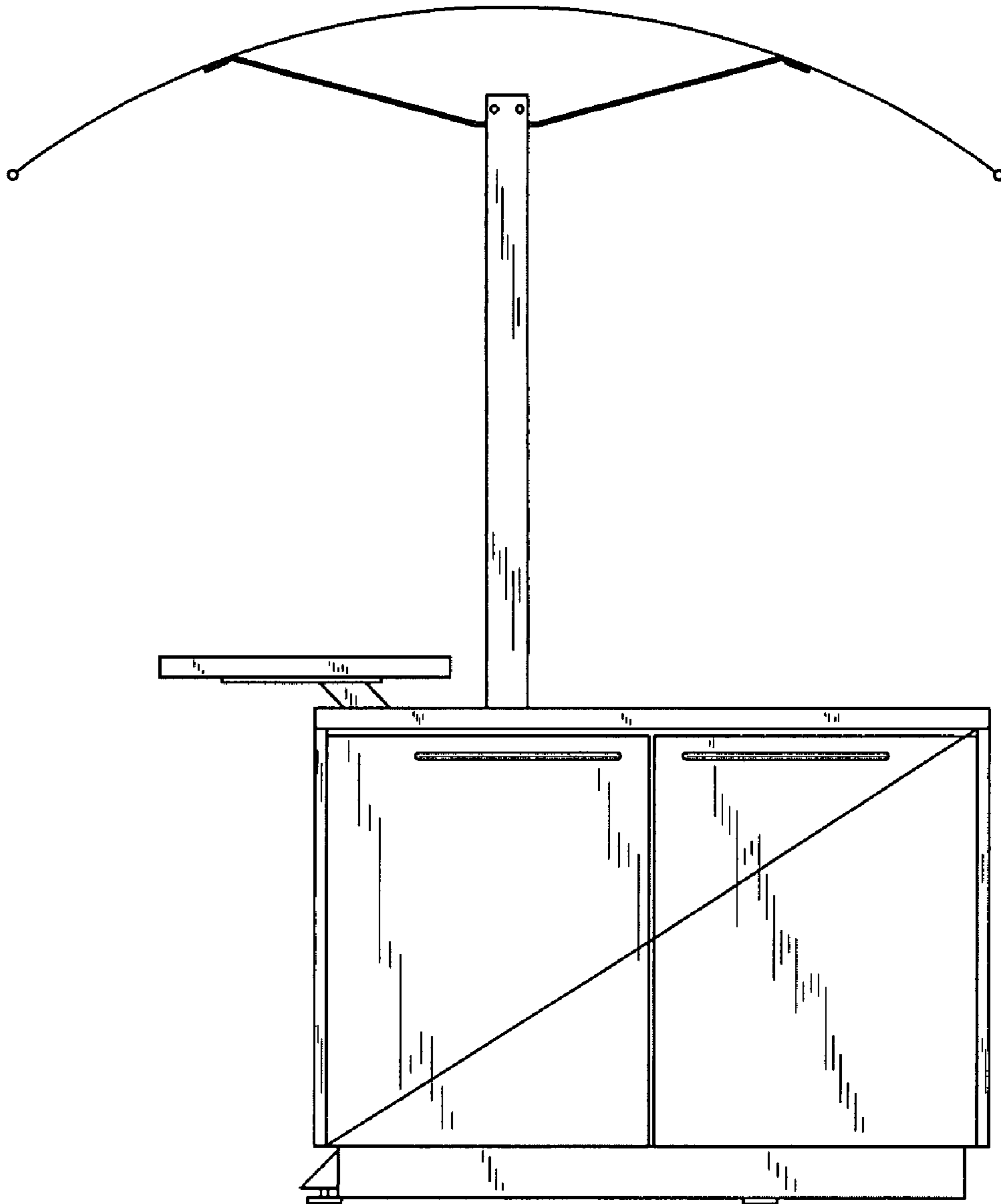


FIG. 7