



US00D570639S

(12) **United States Design Patent**
Nardone

(10) **Patent No.:** **US D570,639 S**
(45) **Date of Patent:** **** Jun. 10, 2008**

(54) **GRILLER**

Primary Examiner—Ruth McInroy

(76) Inventor: **Jennifer R. Nardone**, c/o Rosella L. Fernandez, L13 B152 Casa Milan Neopolitan V, Commonwealth Avenue, North Fairview, Quezon City (PH) 1121

(57) **CLAIM**

I claim the ornamental design for a griller, as shown and described.

(**) Term: **14 Years**

DESCRIPTION

(21) Appl. No.: **29/261,664**

FIG. 1 is a perspective view of a griller showing my new design;

(22) Filed: **Jun. 19, 2006**

FIG. 2 is a front view of the grill without the stand;

(30) **Foreign Application Priority Data**

FIG. 3 is a right side view of the grill without the stand;

Dec. 28, 2005 (EM) 461165

FIG. 4 is a top view of the grill without the stand;

(51) **LOC (8) Cl.** **07-02**

FIG. 5 is an enlarged left side view of the grill without the stand;

(52) **U.S. Cl.** **D7/332**

FIG. 6 is a bottom view of the grill without the stand;

(58) **Field of Classification Search** D7/332, D7/334–337, 402–404; 126/25 R, 25 A, 126/25 AA, 37 R, 38, 41 R, 40, 39 B, 268, 126/276, 9 R; 99/449, 473, 481, 482
See application file for complete search history.

FIG. 7 is an exploded view of the grill without the stand, showing an enlarged detail;

(56) **References Cited**

FIG. 8 is a perspective view thereof, showing the grill and stand in a closed position;

U.S. PATENT DOCUMENTS

D488,022 S * 4/2004 Chan et al. D7/334
6,802,308 B1 * 10/2004 Nugent et al. 126/38
D513,921 S * 1/2006 Nugent et al. D7/332
D519,775 S * 5/2006 Chung D7/332
2006/0150964 A1 * 7/2006 Chen 126/25 R

FIG. 9 is a front view of the grill in FIG. 8;

FIG. 10 is a top view of the grill in FIG. 8;

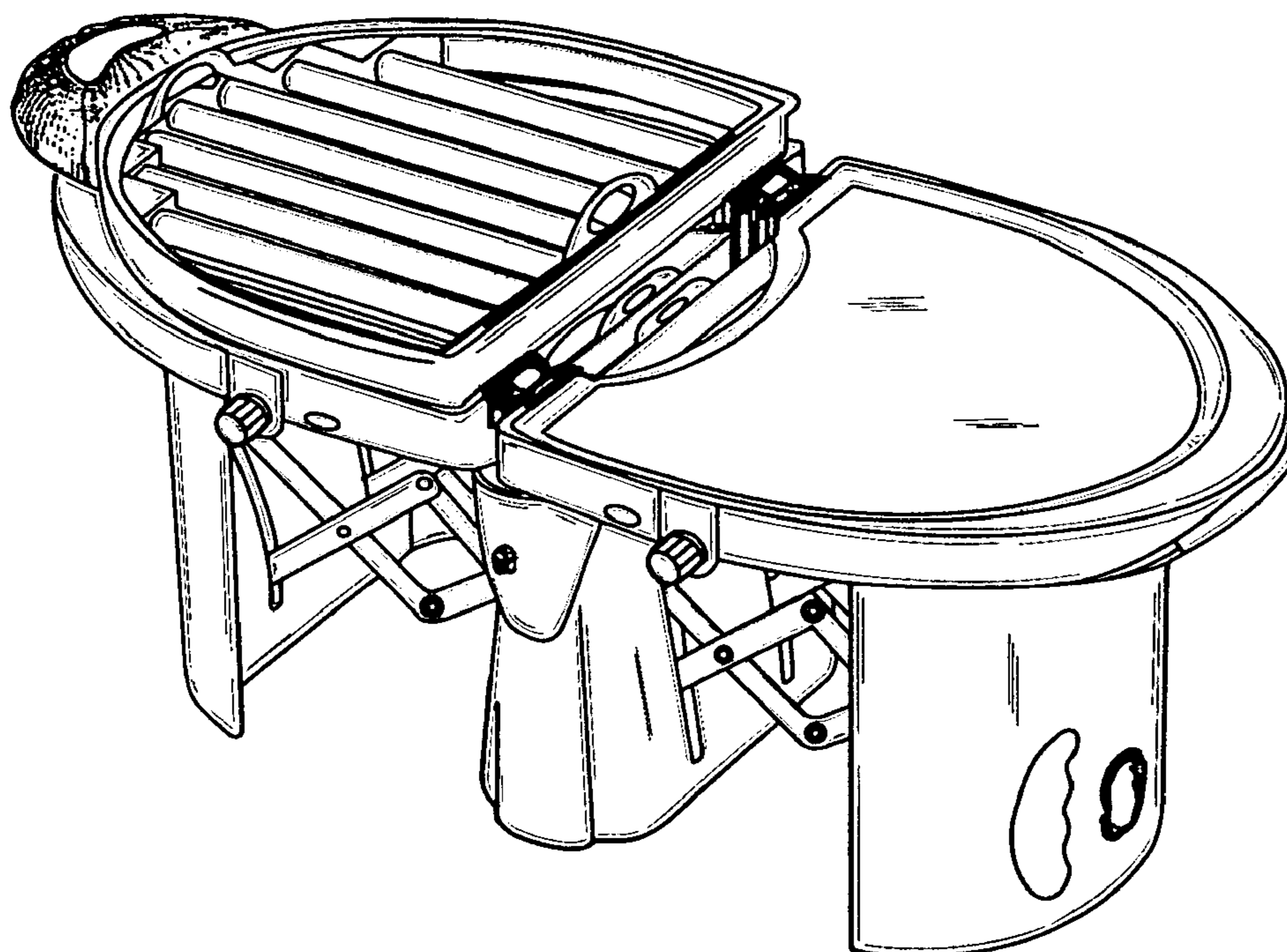
FIG. 11 is a side view of the grill in FIG. 8; and,

FIG. 12 is a bottom view of the grill in FIG. 8.

The grill and stand are shown separate in FIGS. 2–12 for clarity of illustration.

* cited by examiner

1 Claim, 10 Drawing Sheets



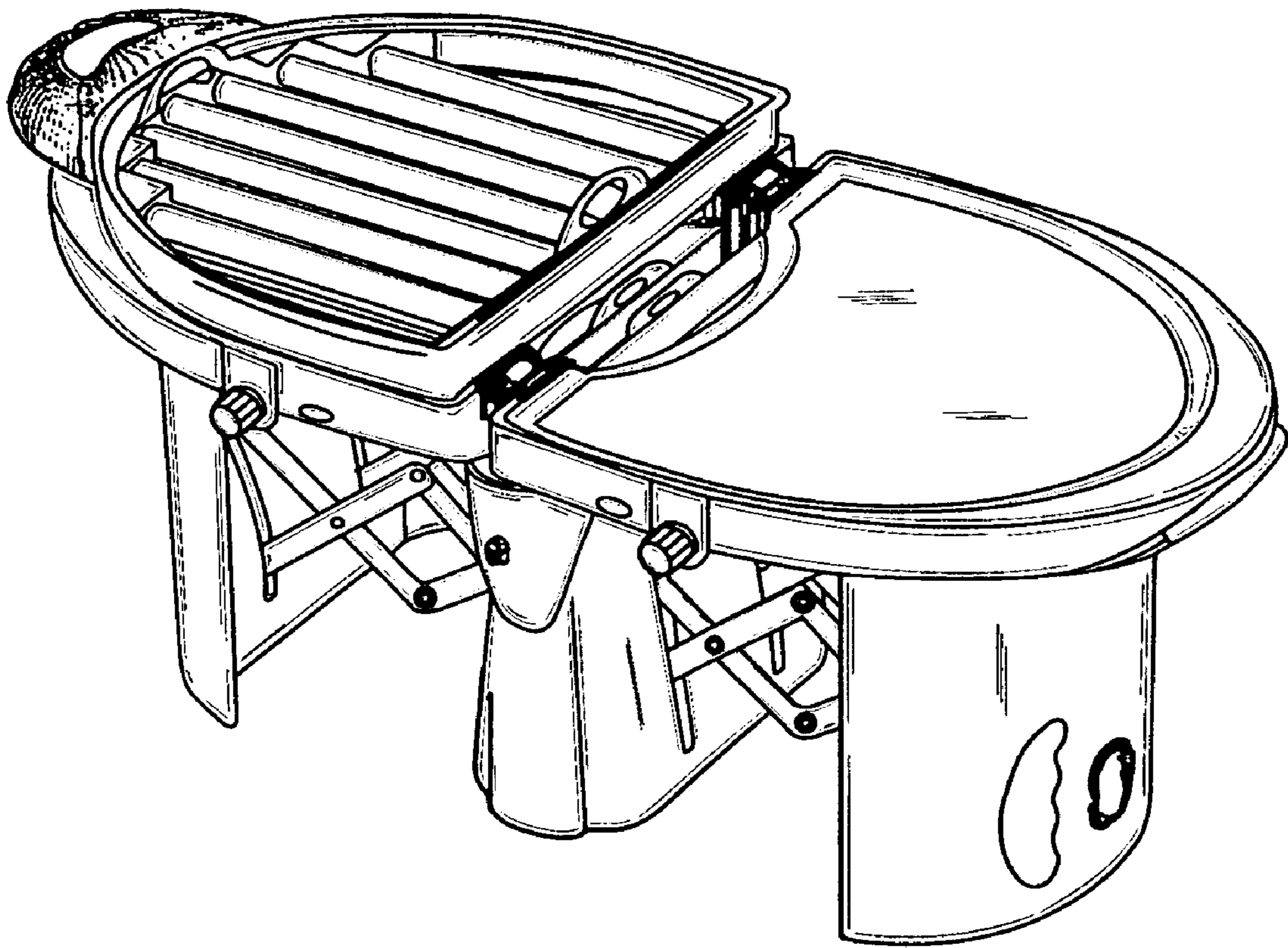


FIG. 1

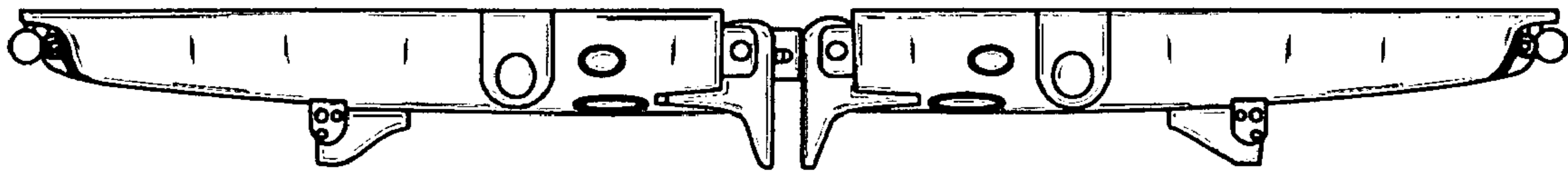


FIG. 2

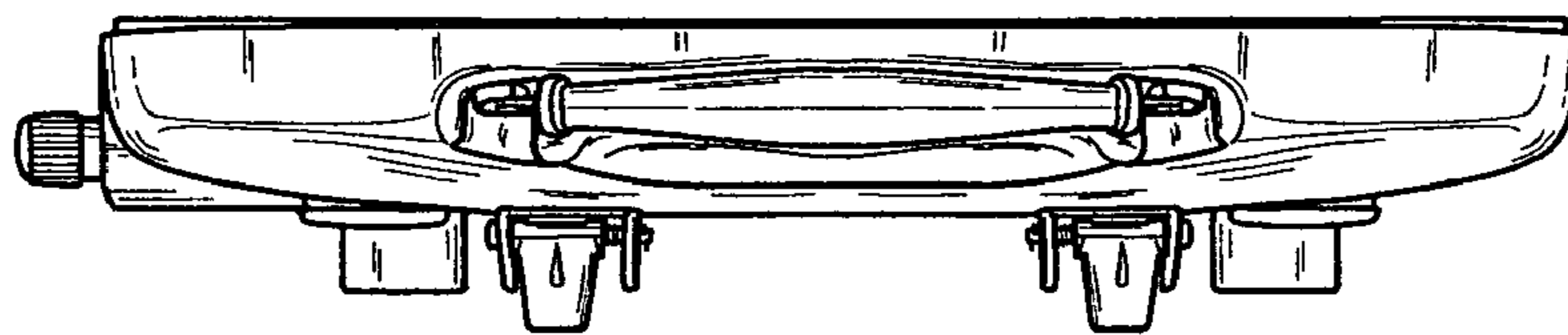


FIG. 3

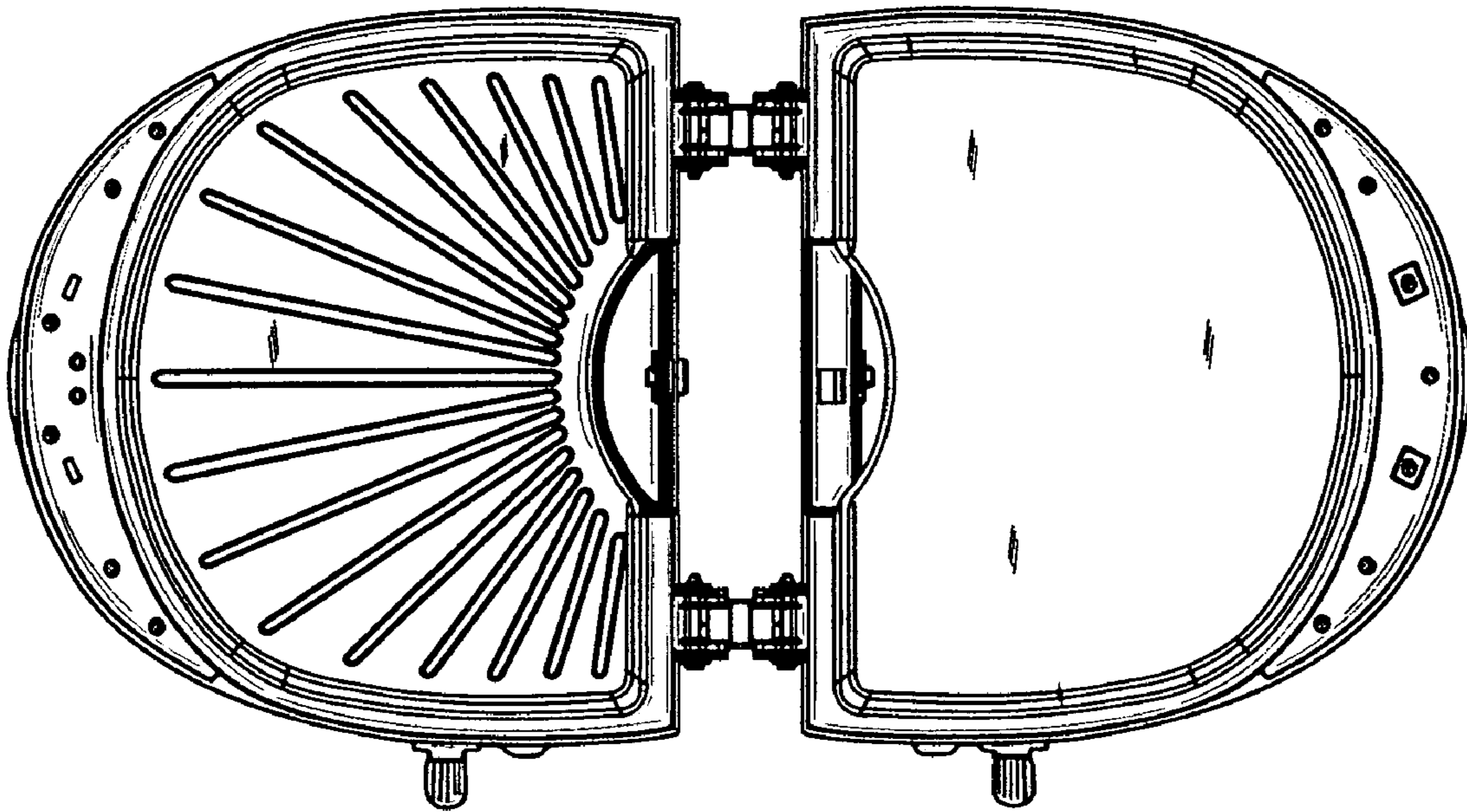


FIG. 4

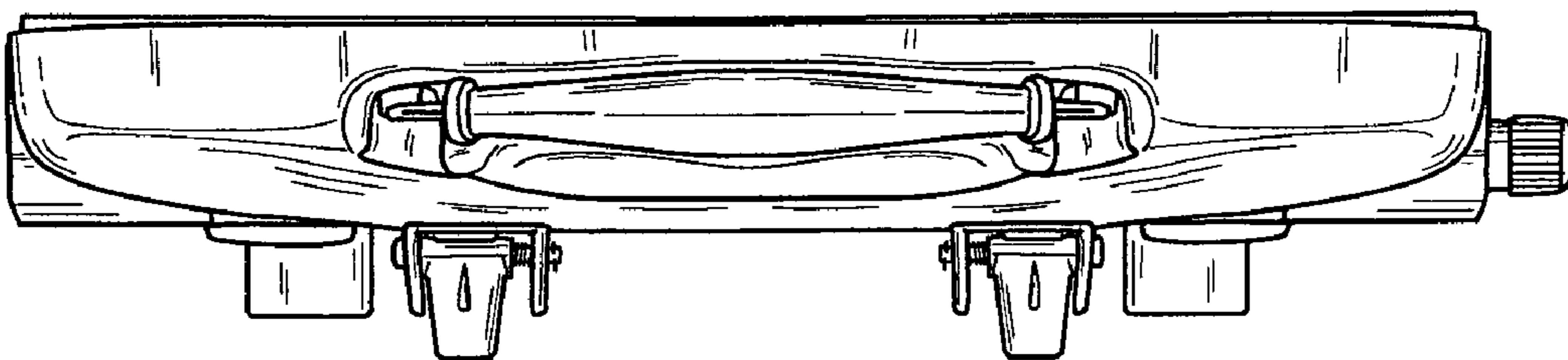


FIG. 5

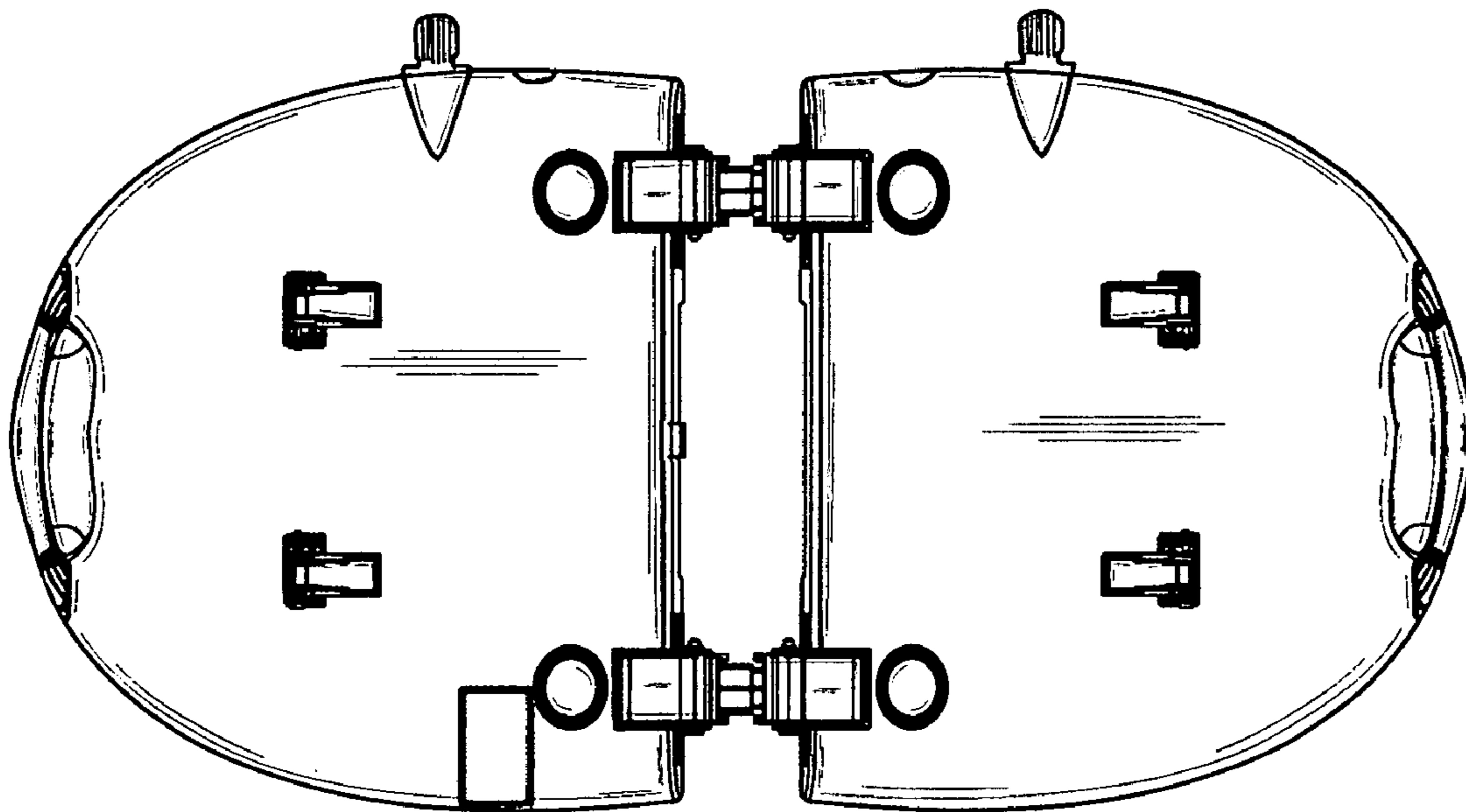


FIG. 6

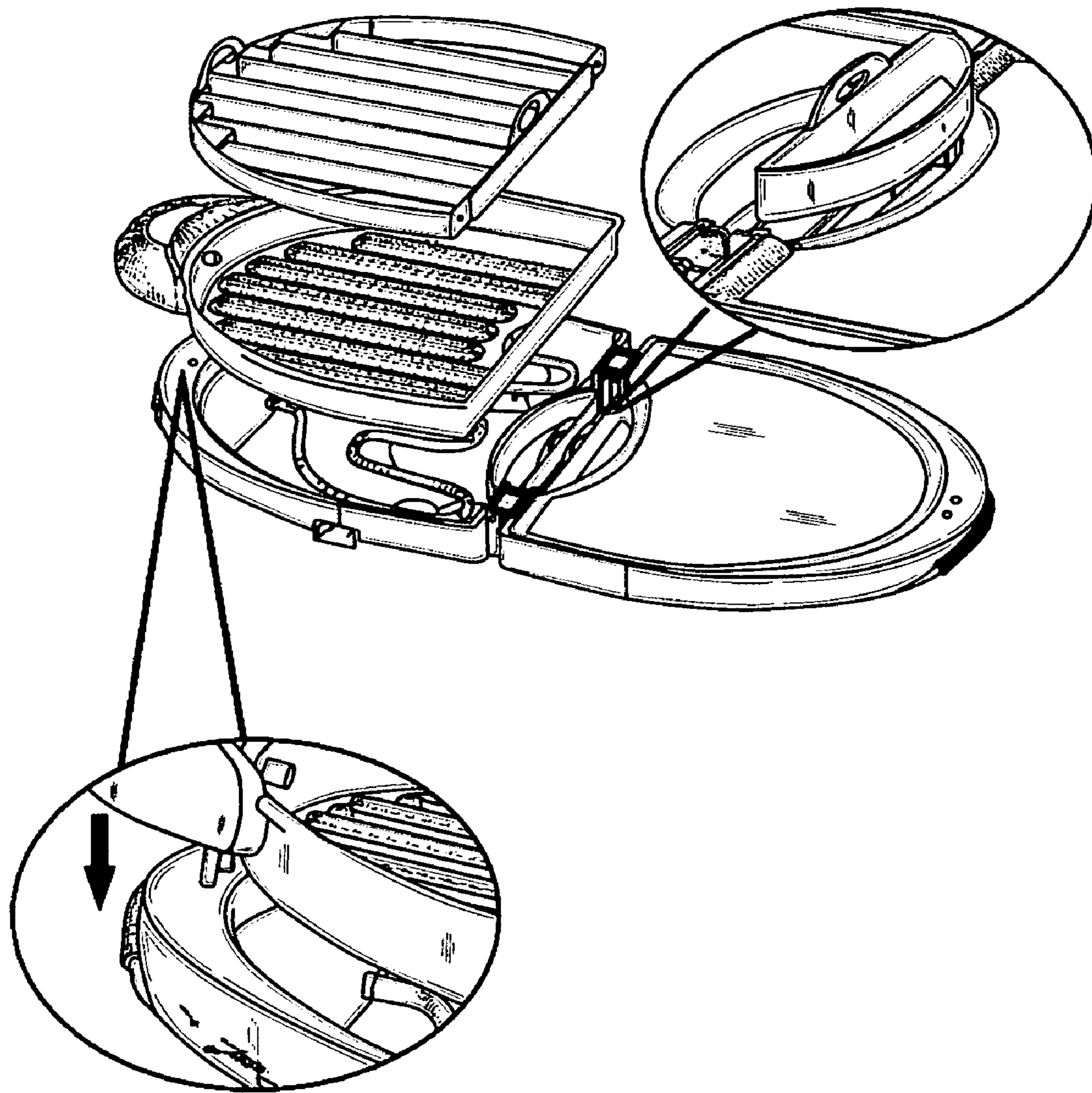


FIG. 7

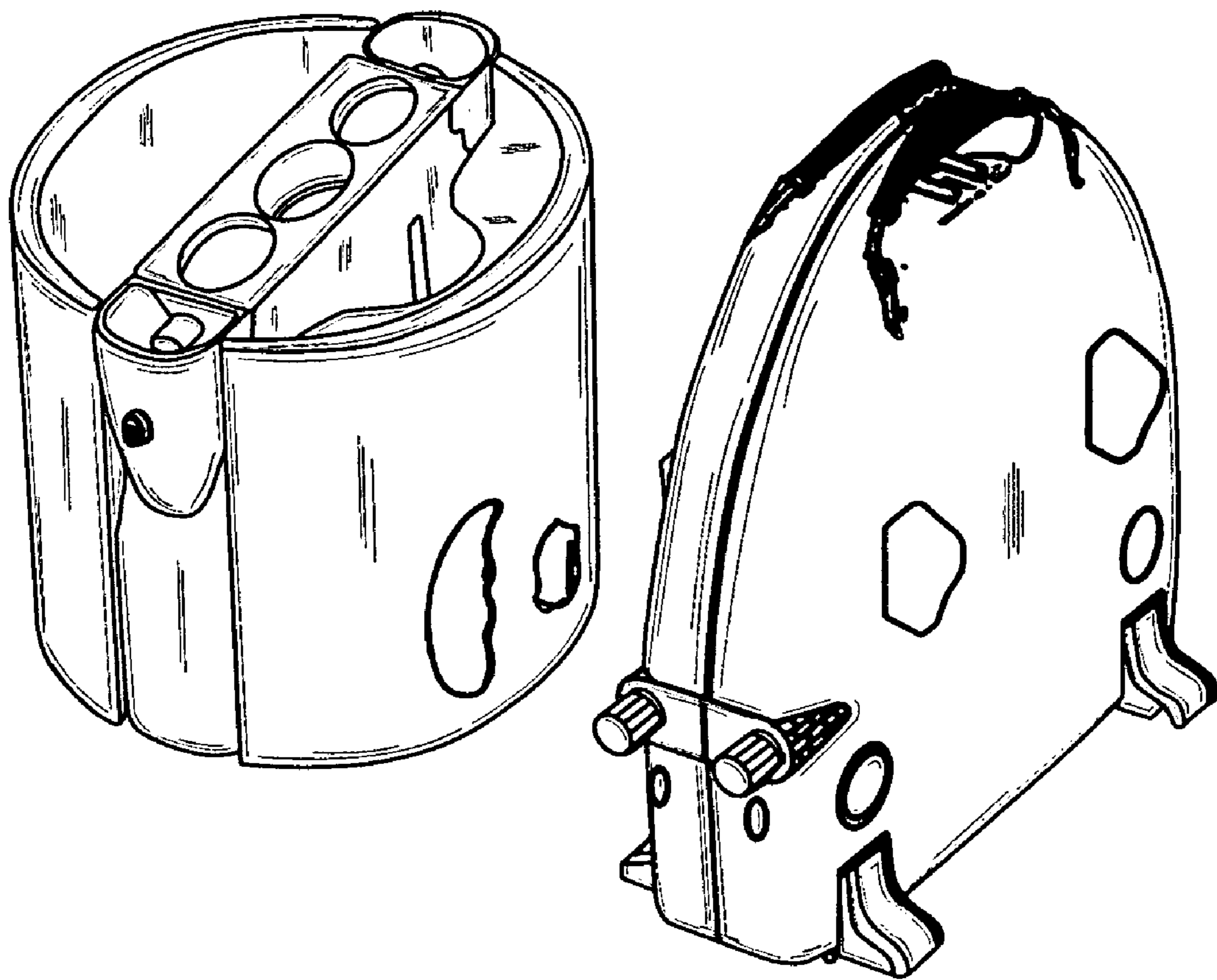


FIG. 8

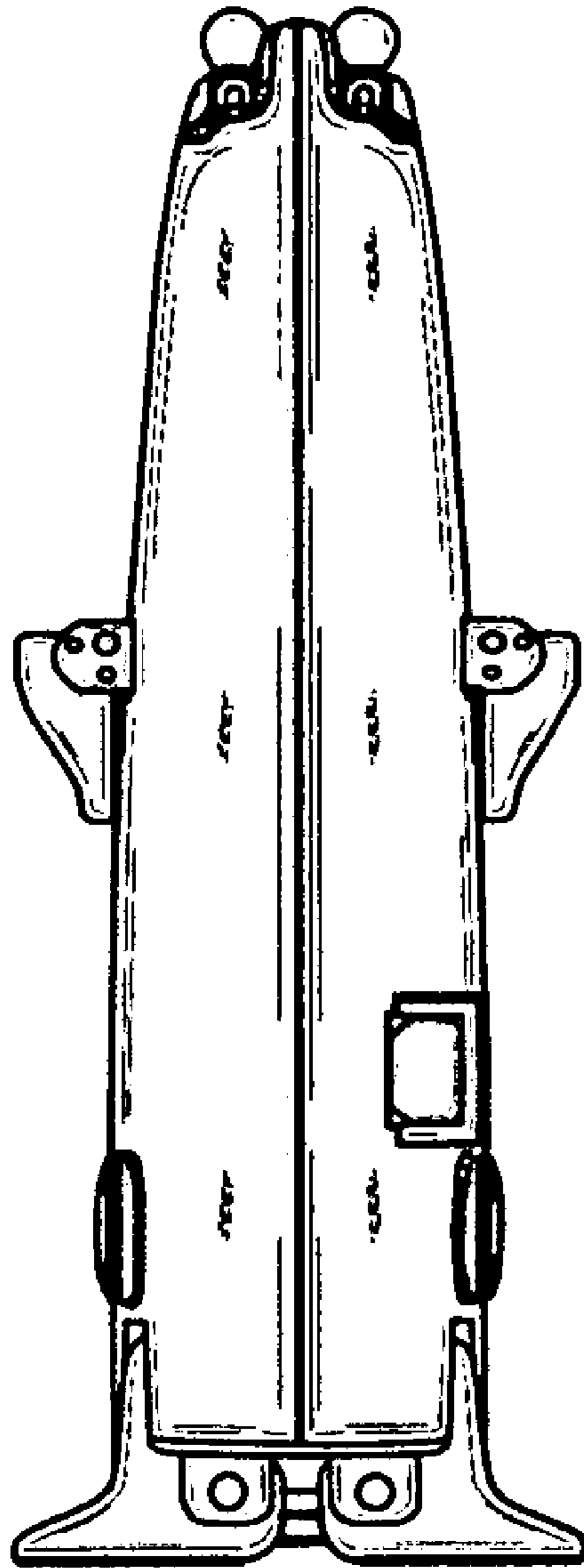


FIG. 9

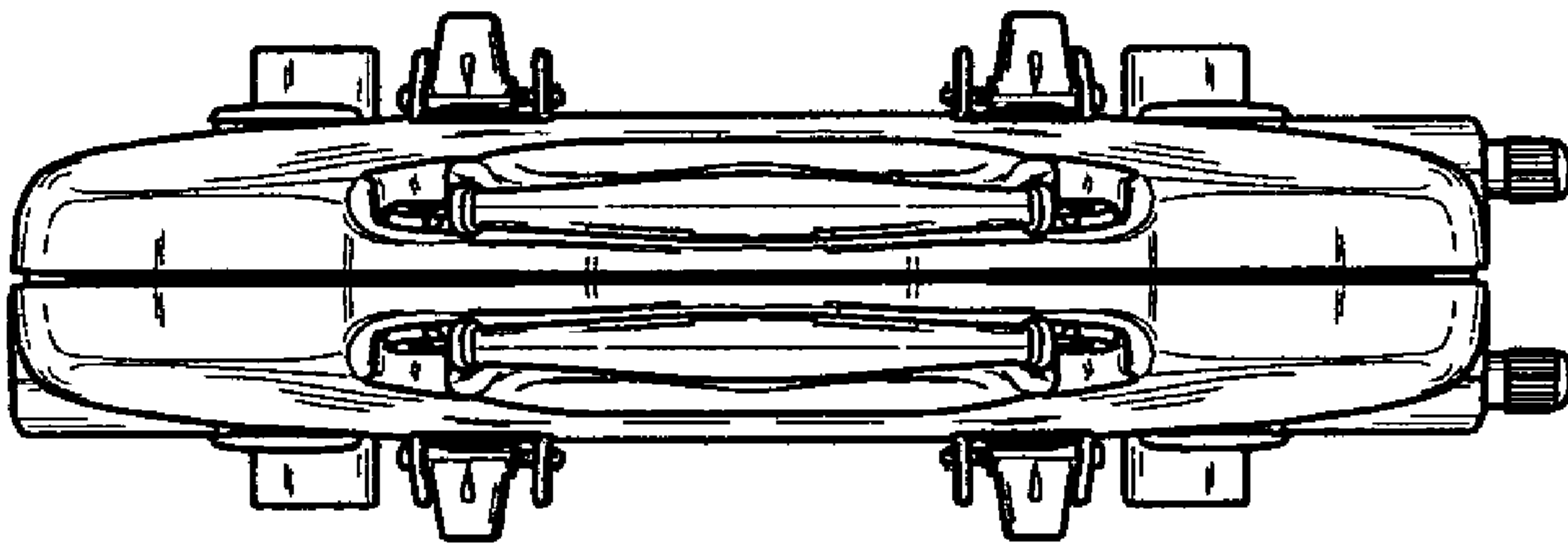


FIG. 10

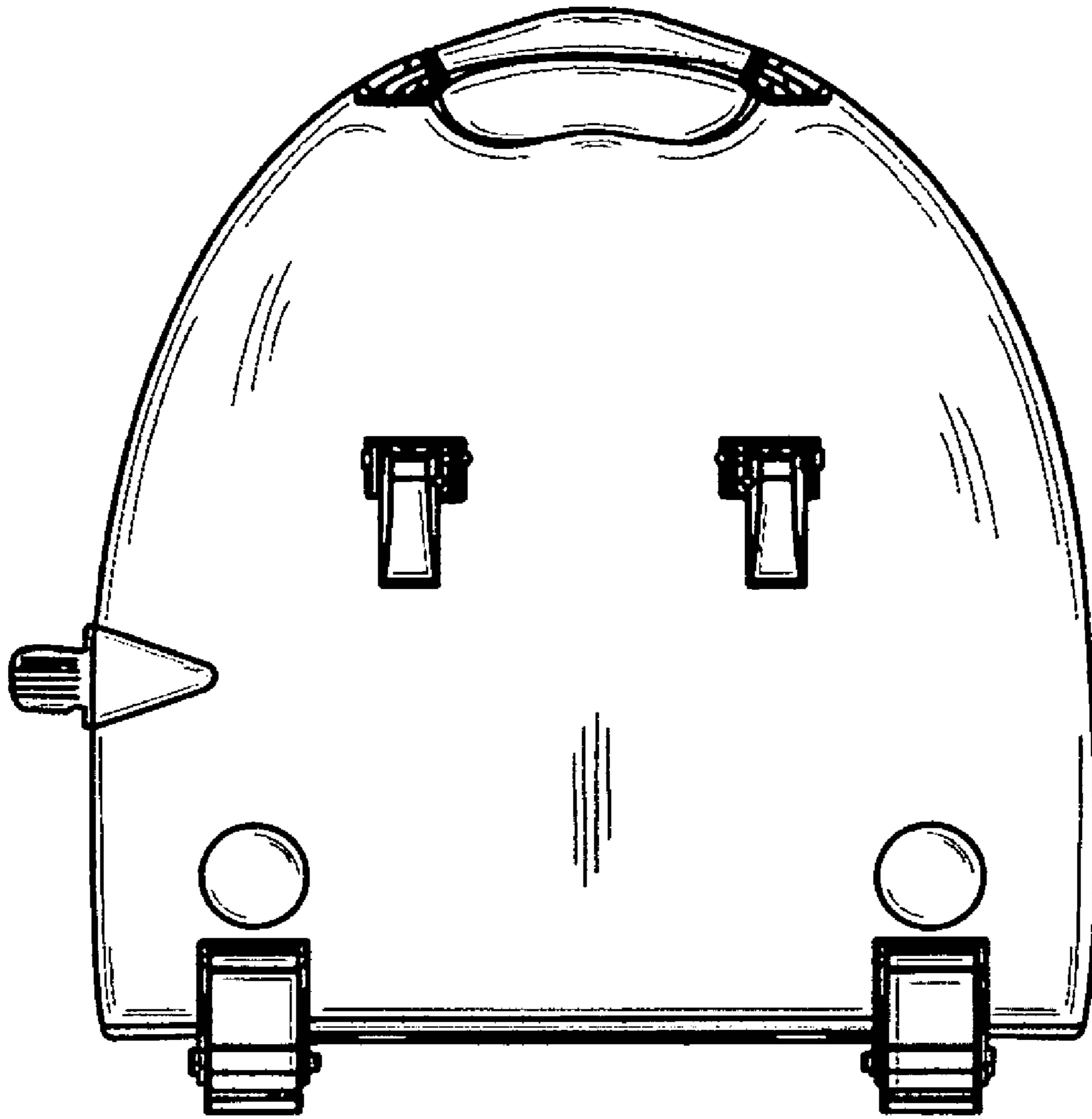


FIG. 11

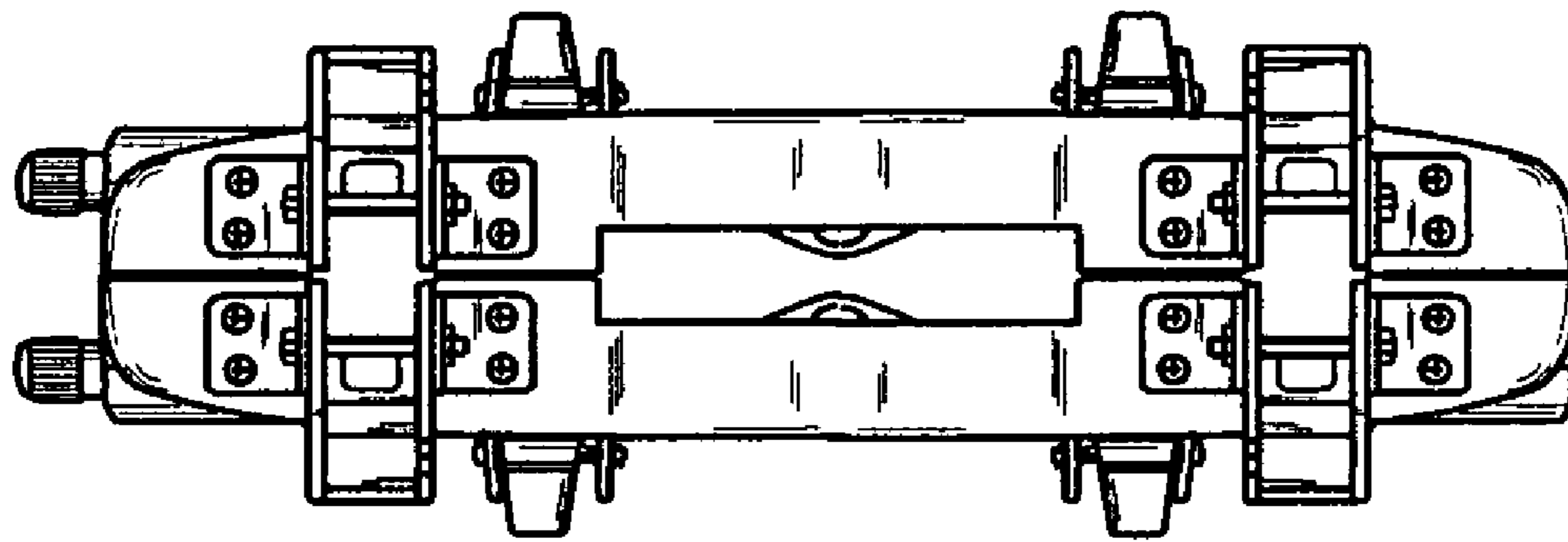


FIG. 12