



US00D570637S

(12) **United States Design Patent** (10) **Patent No.:** **US D570,637 S**  
**Glucksman et al.** (45) **Date of Patent:** **\*\* Jun. 10, 2008**

(54) **BEVERAGE DISPENSER**  
(75) Inventors: **Dov Z Glucksman**, Danvers, MA (US);  
**Laura J Nickerson**, Fitchburg, MA (US)

(73) Assignee: **Appliance Development Corporation**, Danvers, MA (US)

(\*\*) Term: **14 Years**

(21) Appl. No.: **29/276,205**

(22) Filed: **Jan. 18, 2007**

(51) **LOC (8) Cl.** ..... **07-01**

(52) **U.S. Cl.** ..... **D7/306; D7/311**

(58) **Field of Classification Search** ..... D7/307,  
D7/306, 300, 309-311, 312-313, 605-608;  
99/280, 286, 305, 306, 295, 279, 299, 285,  
99/302, 297; 222/129.1-129.3, 146.5, 465.1;  
62/136; 220/592.24-592.27; D15/82  
See application file for complete search history.

(56) **References Cited**

**U.S. PATENT DOCUMENTS**

3,207,376	A *	9/1965	Molitor	.....	222/129.3
D285,082	S	8/1986	Verkler		
5,524,791	A	6/1996	Credle et al.		
D378,215	S	2/1997	Gander		
5,803,312	A	9/1998	Credle et al.		
5,918,767	A	7/1999	McGill		
D453,663	S	2/2002	Mori		

D465,133	S	11/2002	Ben-Moshe		
D466,138	S	11/2002	Baldonado		
D485,566	S	1/2004	Ledingham et al.		
D518,677	S	4/2006	Van Berlo		
D525,469	S	7/2006	Hansen		
D527,214	S	8/2006	Hansen		
D538,577	S *	3/2007	Glucksman et al.	.....	D7/306
D559,611	S *	1/2008	Cheong	.....	D7/306
D562,051	S *	2/2008	Hulett et al.	.....	D7/306
D562,616	S *	2/2008	Tonelli	.....	D7/306
D563,143	S *	3/2008	Tonelli	.....	D7/306

\* cited by examiner

*Primary Examiner*—Marianne Pandozzi

(74) *Attorney, Agent, or Firm*—George A. Herbster

(57) **CLAIM**

The ornamental design for a beverage dispenser, substantially as shown.

**DESCRIPTION**

FIG. 1 is a perspective view of a beverage dispenser showing our new design;

FIG. 2 is a front view thereof;

FIG. 3 is a side view taken from the left in FIG. 1;

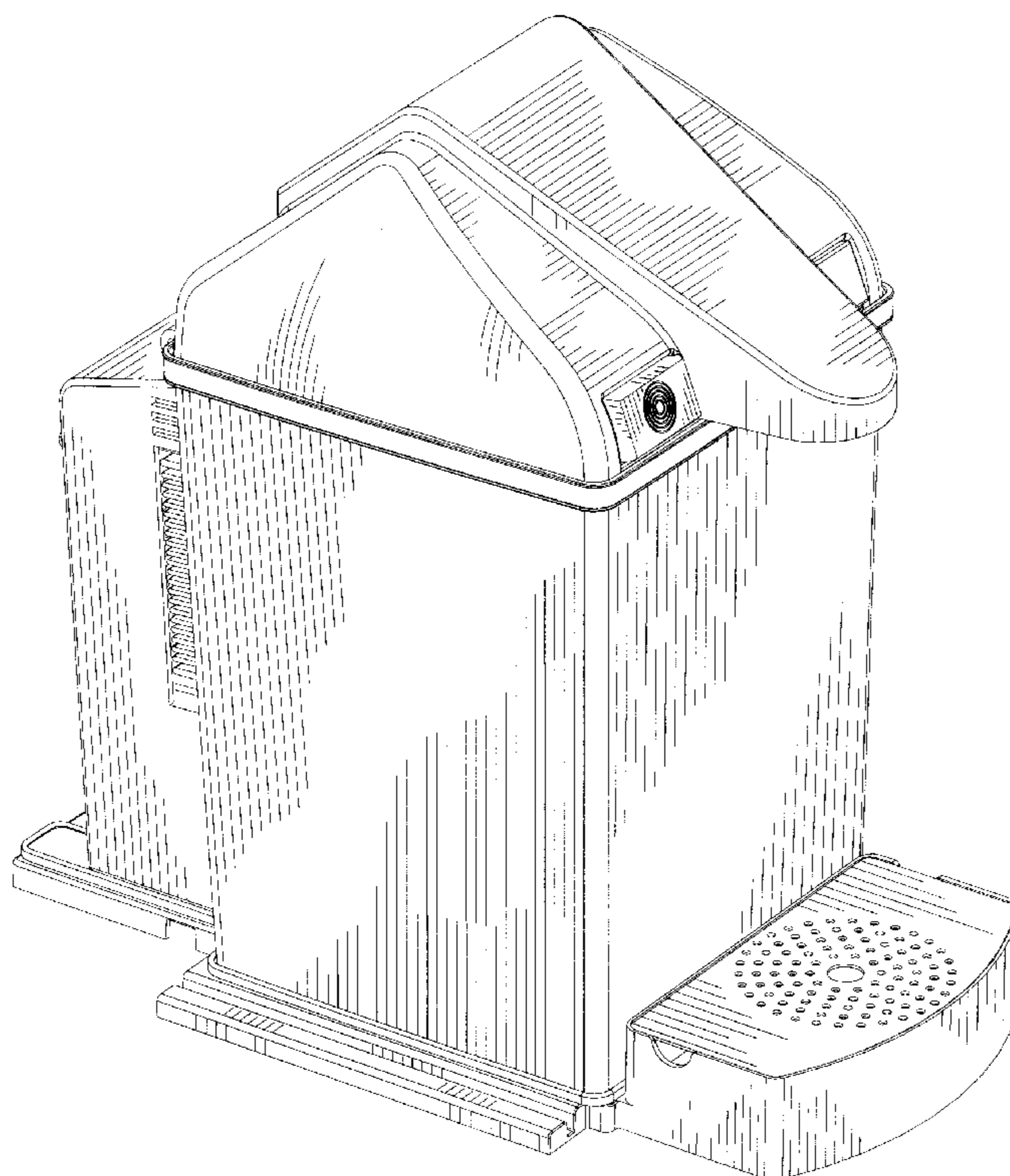
FIG. 4 is a side view taken from the right in FIG. 1;

FIG. 5 is a back view thereof;

FIG. 6 is a top view thereof; and,

FIG. 7 is a bottom view thereof.

**1 Claim, 7 Drawing Sheets**



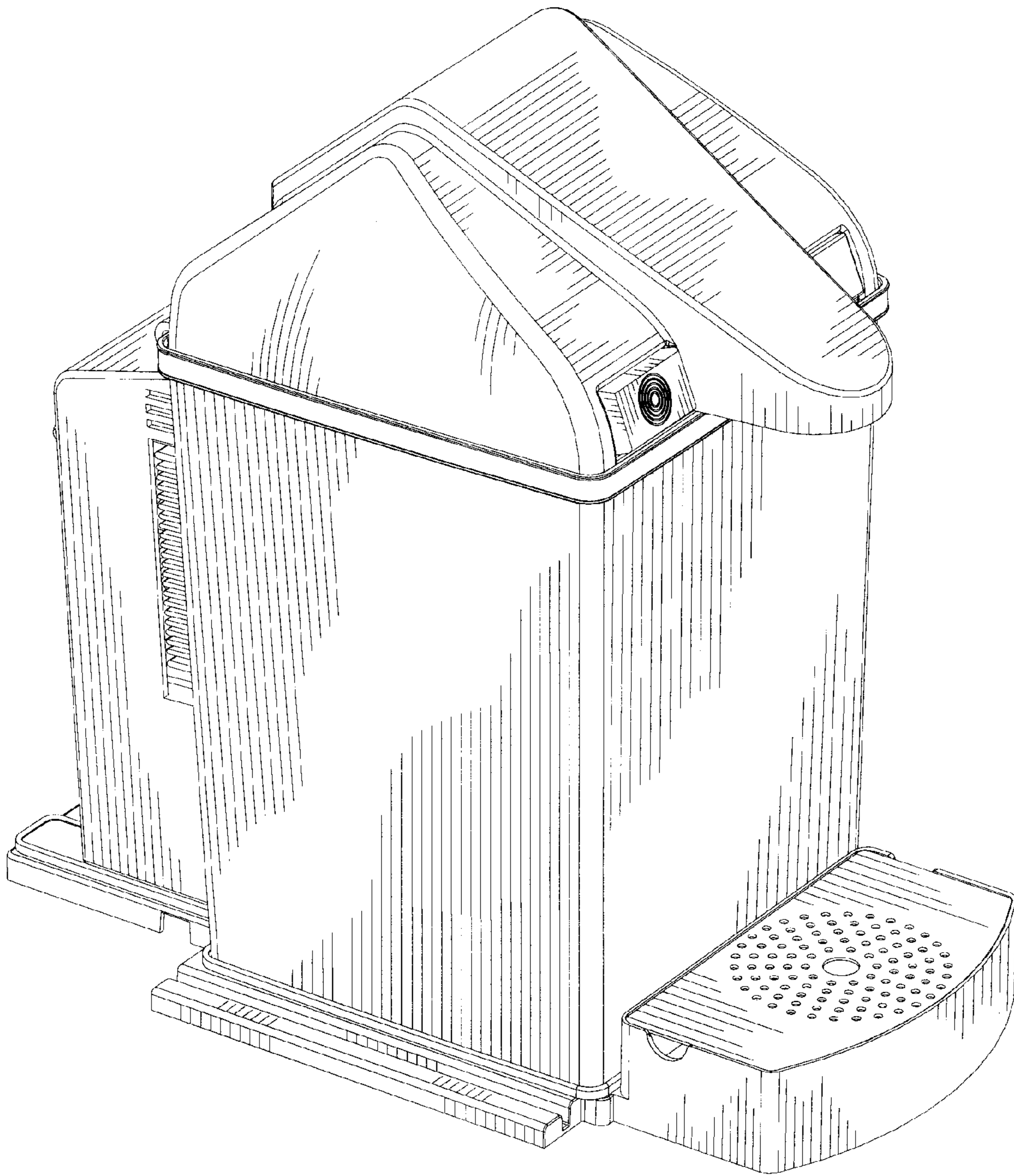


FIG. 1

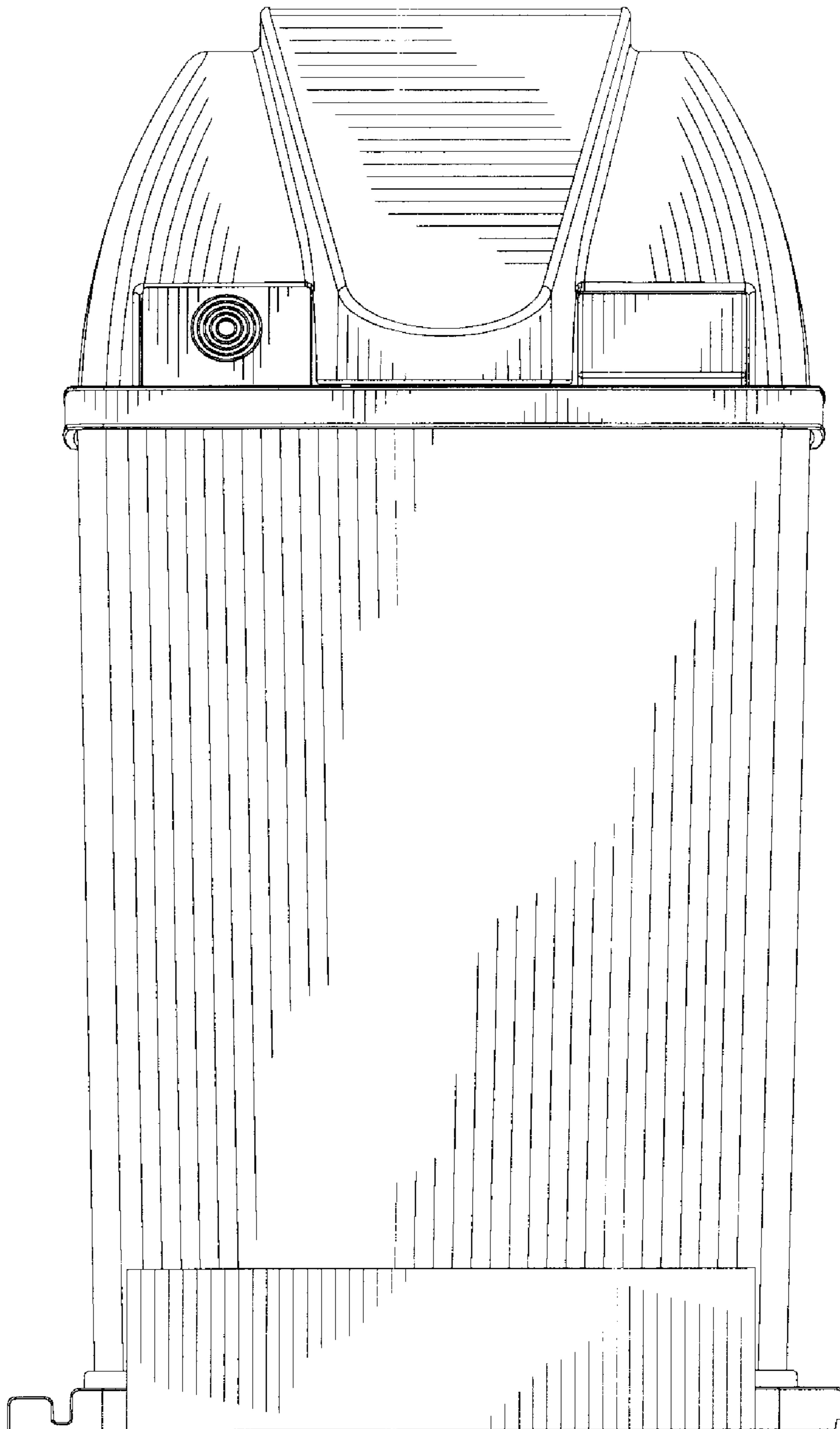


FIG. 2

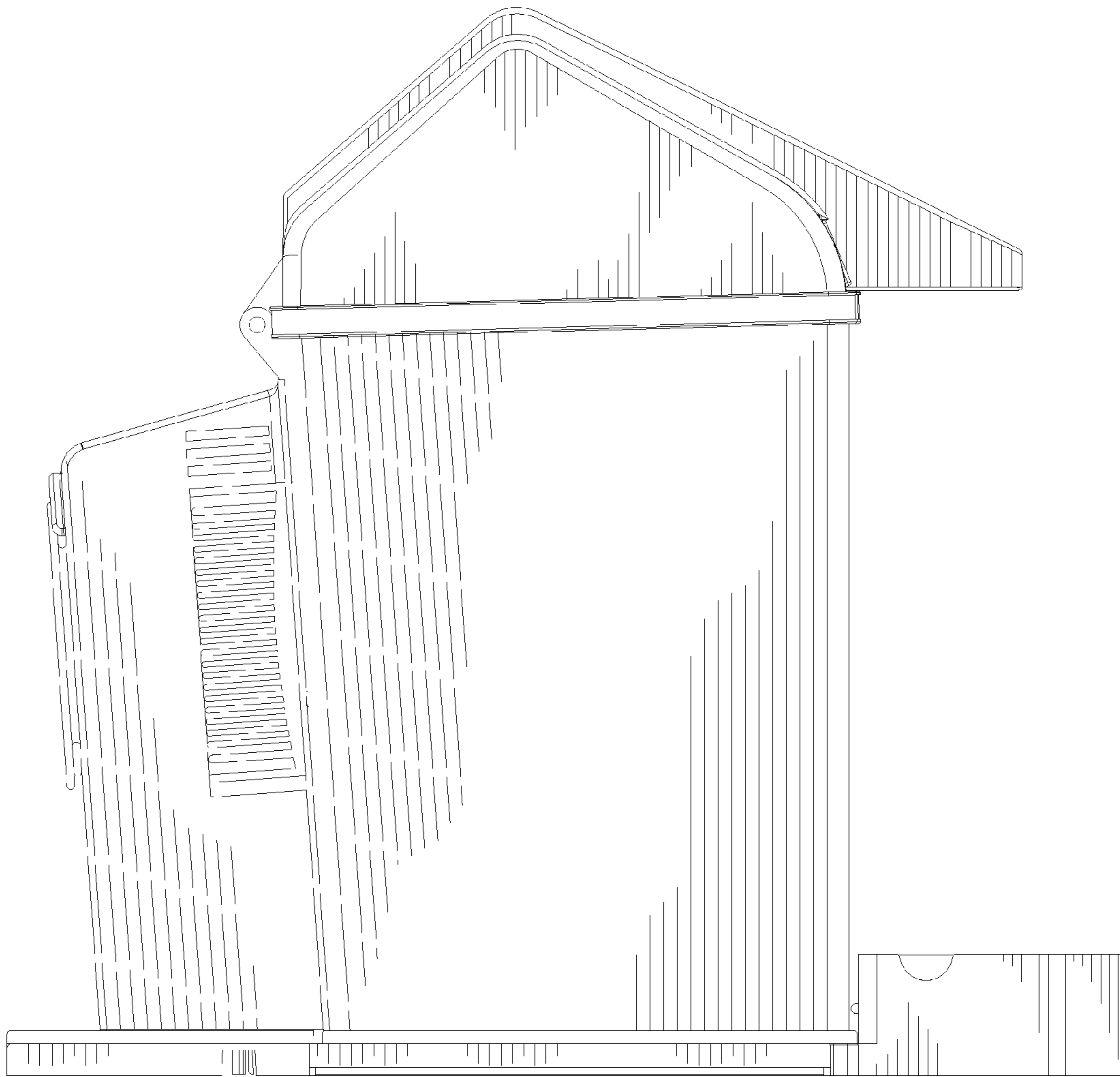


FIG. 3

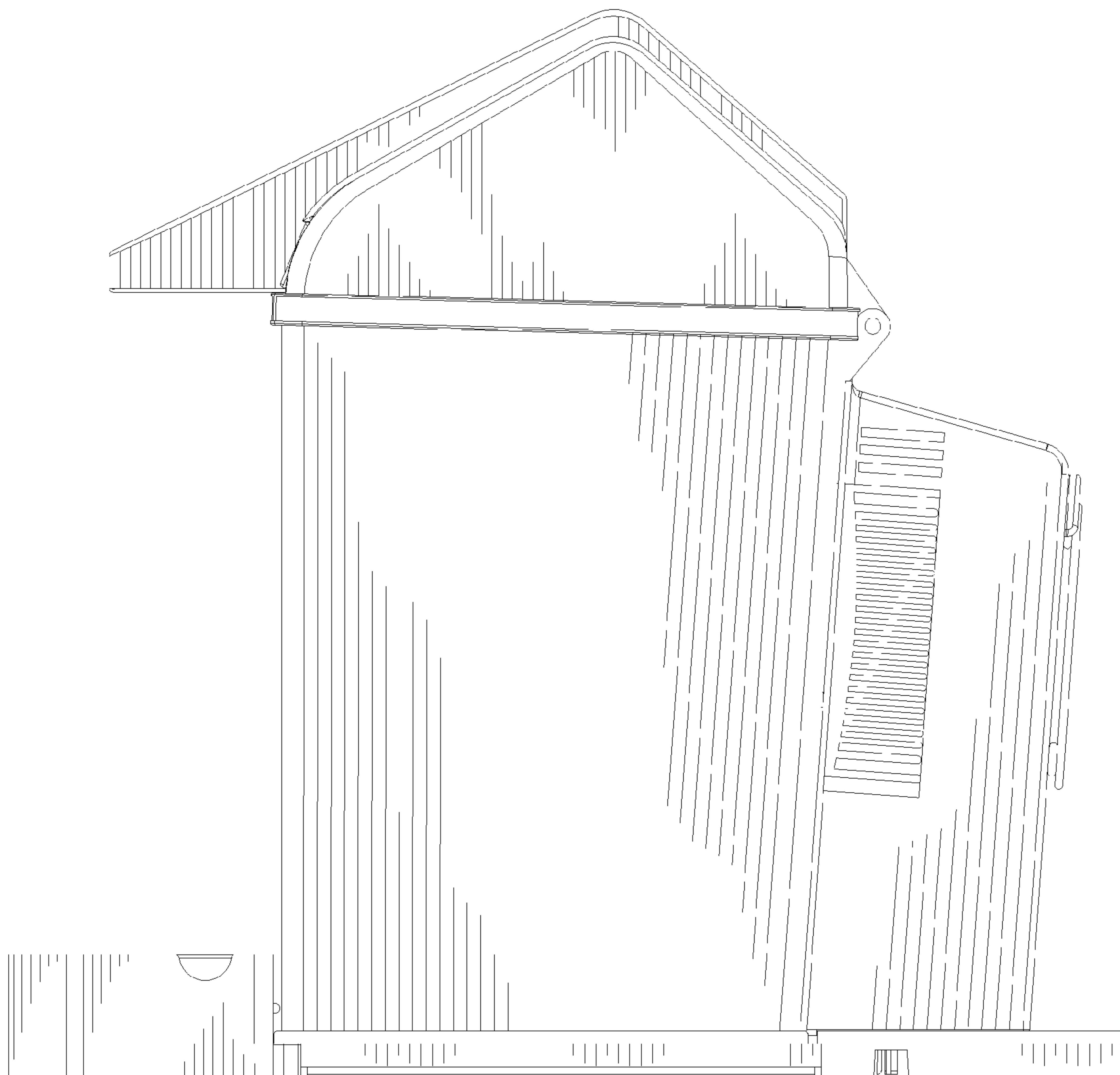


FIG. 4



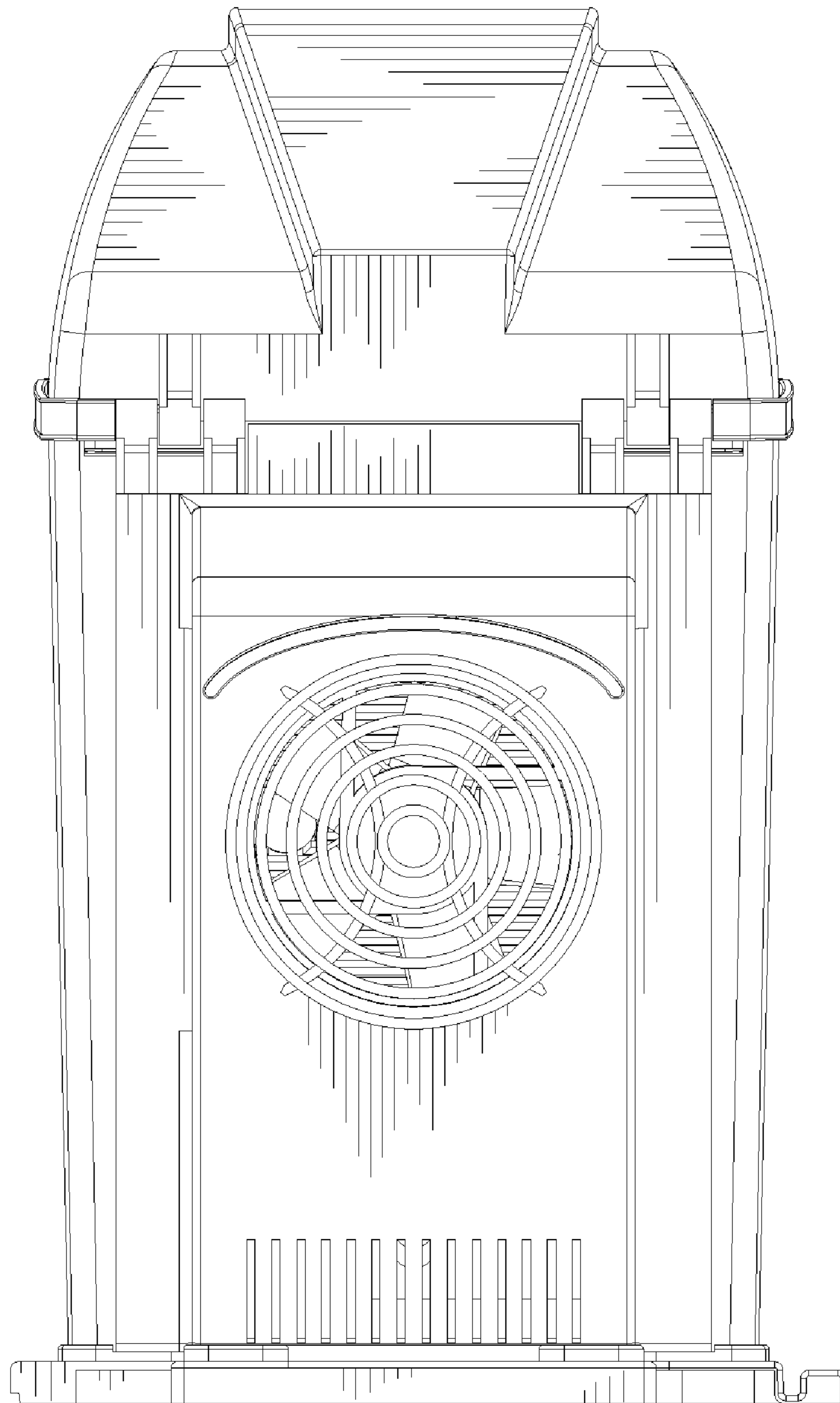


FIG. 5

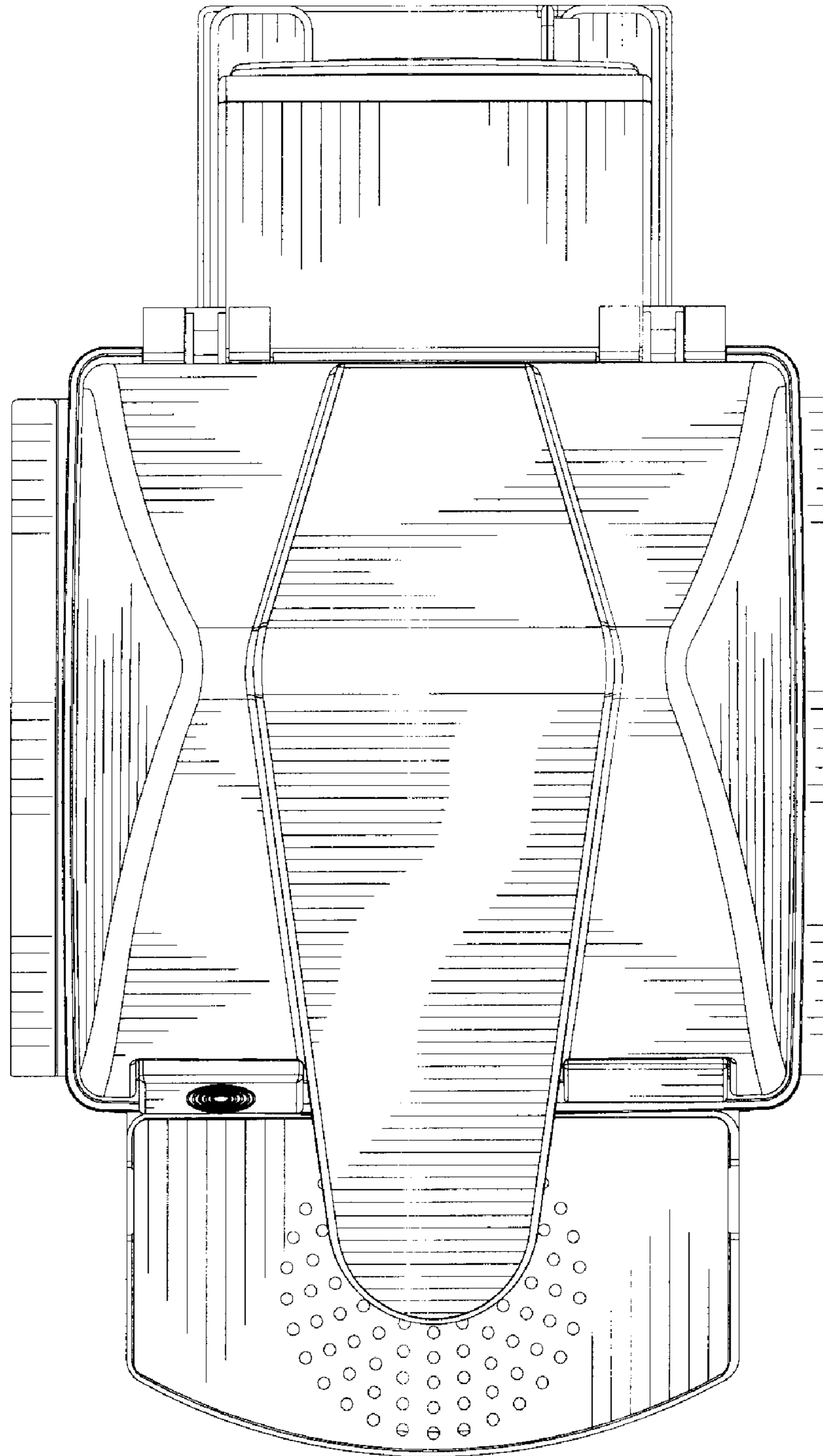


FIG. 6

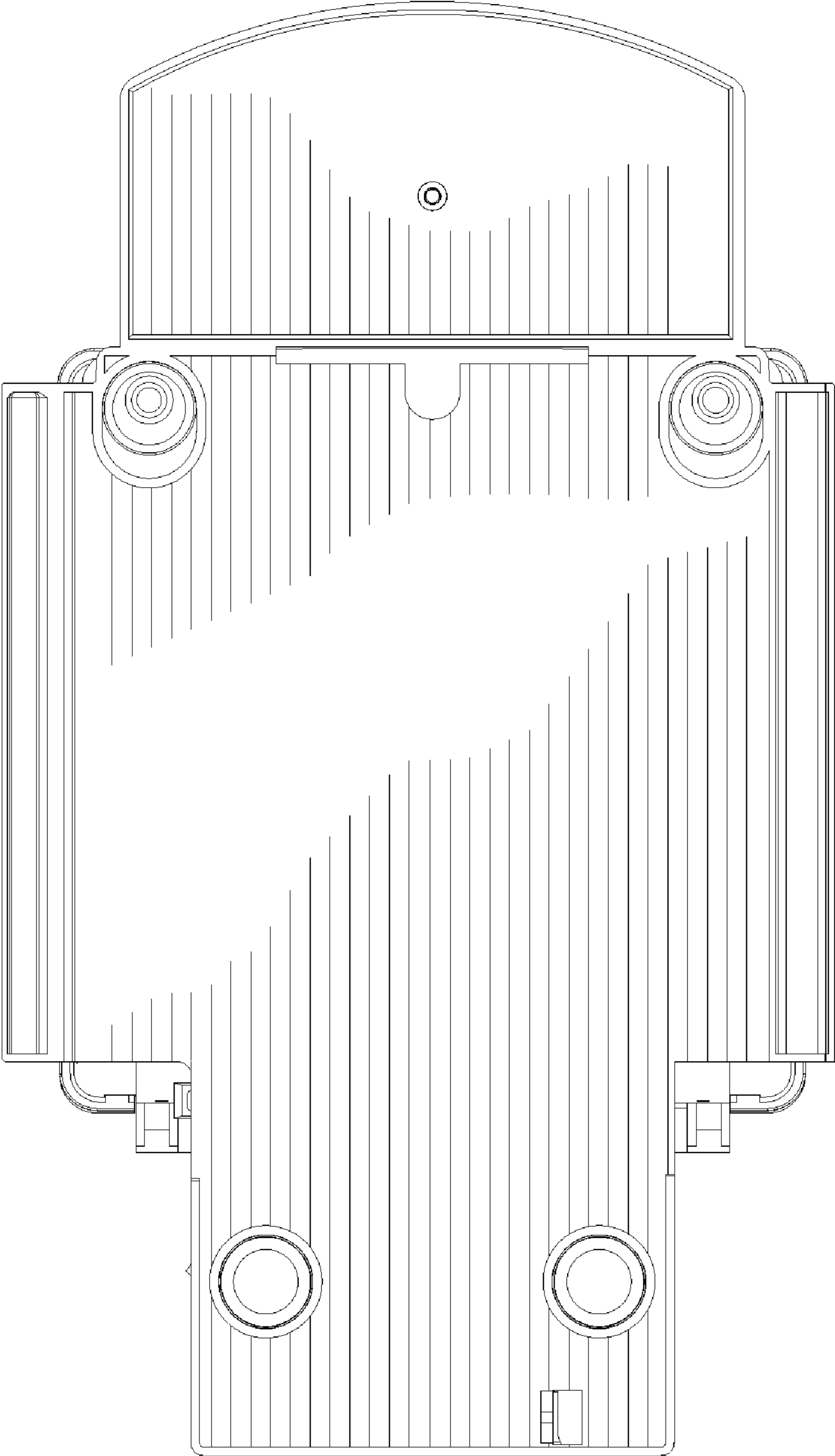


FIG. 7