



US00D570632S

(12) **United States Design Patent**  
**Molkenthin**

(10) **Patent No.:** **US D570,632 S**  
(45) **Date of Patent:** **\*\* Jun. 10, 2008**

(54) **BATHROOM CONVENIENCE CENTER**

(57) **CLAIM**

(76) Inventor: **Kevin Molkenthin**, 1642 Neely Ferry Rd., Simpsonville, SC (US) 29680

The ornamental design for a bathroom convenience center, as shown and described.

(\*\*) Term: **14 Years**

**DESCRIPTION**

(21) Appl. No.: **29/285,884**

(22) Filed: **Apr. 13, 2007**

(51) **LOC (8) Cl.** ..... **23-02**

(52) **U.S. Cl.** ..... **D6/525**

(58) **Field of Classification Search** ..... D6/515-545;  
211/13.1, 45, 70.6, 70.7, 71.01, 86.01, 87.01,  
211/88.01; 242/570, 590; 248/309.1; 206/225,  
206/233, 389, 391; 222/173, 180  
See application file for complete search history.

FIG. 1 is a perspective view of a bathroom convenience center showing my new design, it being understood that the center is attached to a bathroom wall;

FIG. 2 is a front elevation view of the convenience center thereof of FIG. 1;

FIG. 3 is a top plan view of the convenience center of FIG. 1 attached to a wall;

FIG. 4 is a rear elevation view of the convenience center of FIG. 1;

FIG. 5 is a right side elevation view of the convenience center of FIG. 1;

FIG. 6 is a left side elevation view of the convenience center of FIG. 1;

FIG. 7 is a bottom view of the convenience center of FIG. 1 attached to a wall;

FIG. 8 is a front elevation view of a second embodiment of the convenience center of my new design;

FIG. 9 is a front elevation view of a third embodiment of the convenience center of my new design;

FIG. 10 is a front elevation view of a fourth embodiment of the convenience center of my new design;

FIG. 11 is a front elevation view of a fifth embodiment of the convenience center of my new design; and,

FIG. 12 is a front elevation view of a sixth embodiment of the convenience center of my new design.

In the drawings, the broken line disclosure representing the bathroom wall is for illustrative purposes only and forms no part of the claimed design.

(56) **References Cited**

**U.S. PATENT DOCUMENTS**

3,869,183	A *	3/1975	Frank, Jr.	.....	D6/525
4,008,933	A	2/1977	Wanek		
D329,559	S	9/1992	Paul		
5,175,896	A	1/1993	Zamir		
D335,232	S *	5/1993	Whitlock	.....	D6/525
D358,052	S	5/1995	Carpenter		
D368,819	S	4/1996	Lemmons		
D383,344	S *	9/1997	Andrus	.....	D6/525
5,878,893	A	3/1999	Micienko		
D452,094	S	12/2001	Akin		

\* cited by examiner

*Primary Examiner*—Brian N Vinson

(74) *Attorney, Agent, or Firm*—Robert R. Reed

**1 Claim, 5 Drawing Sheets**

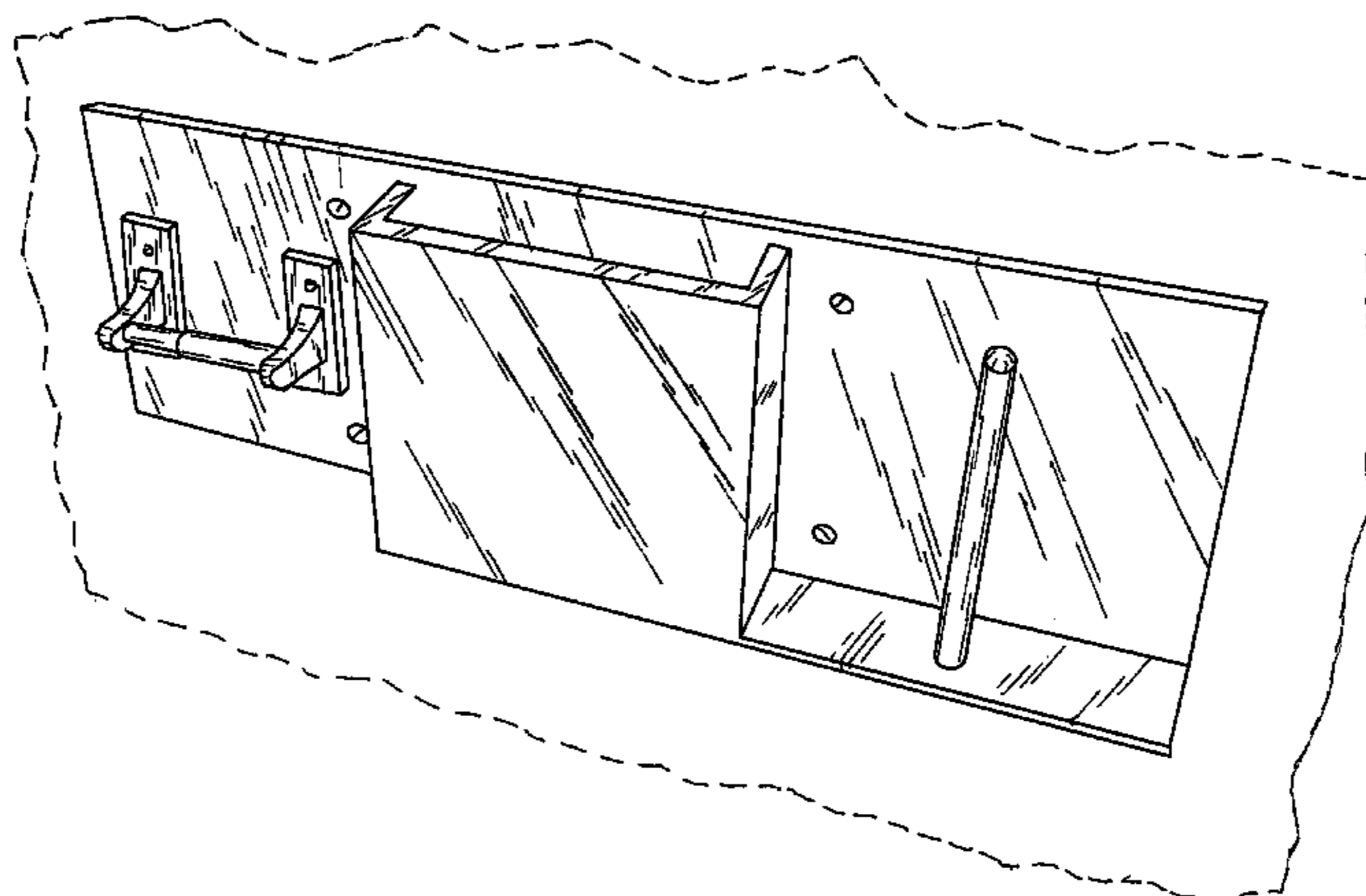


Fig. 1

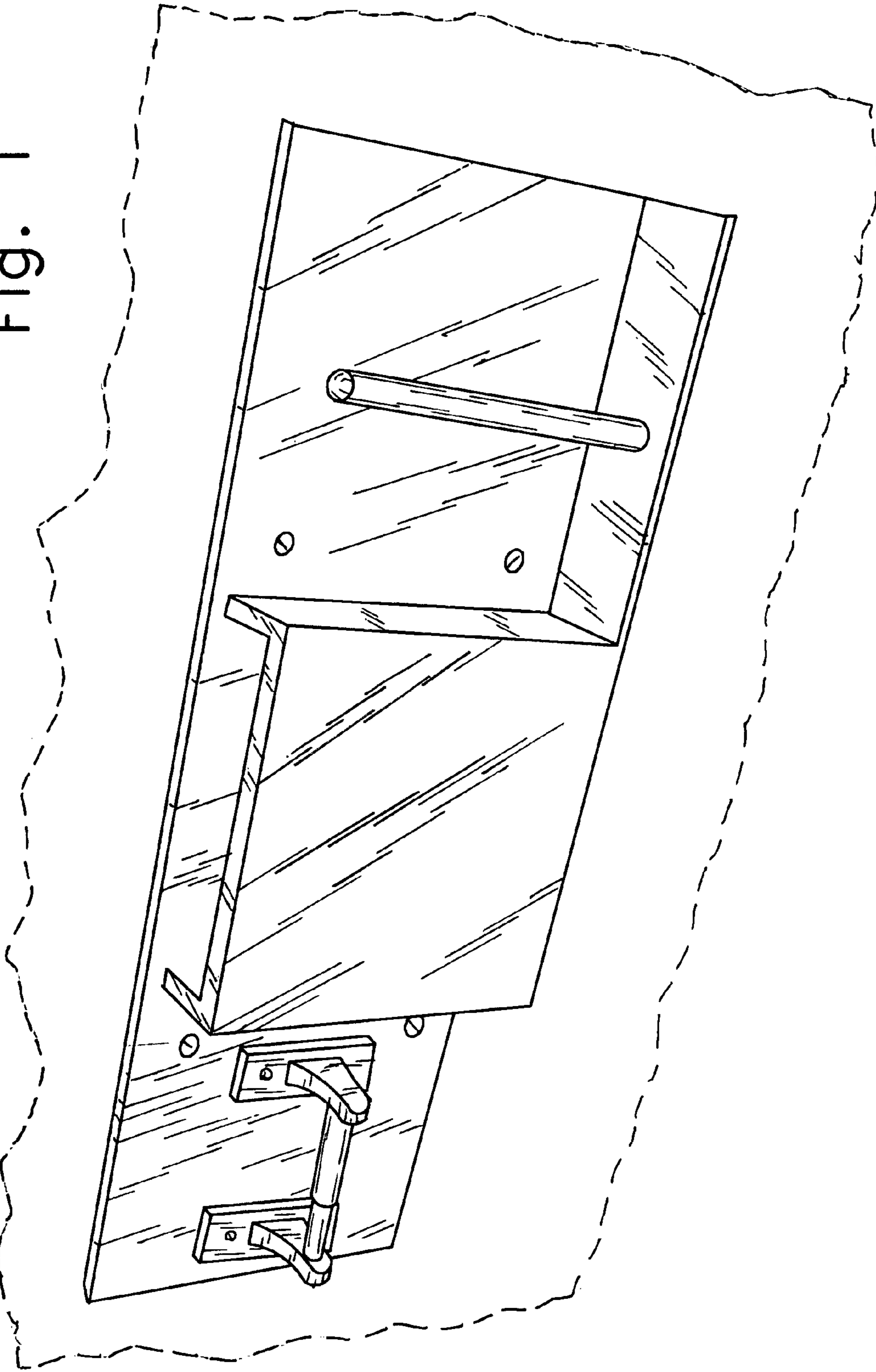


Fig. 2

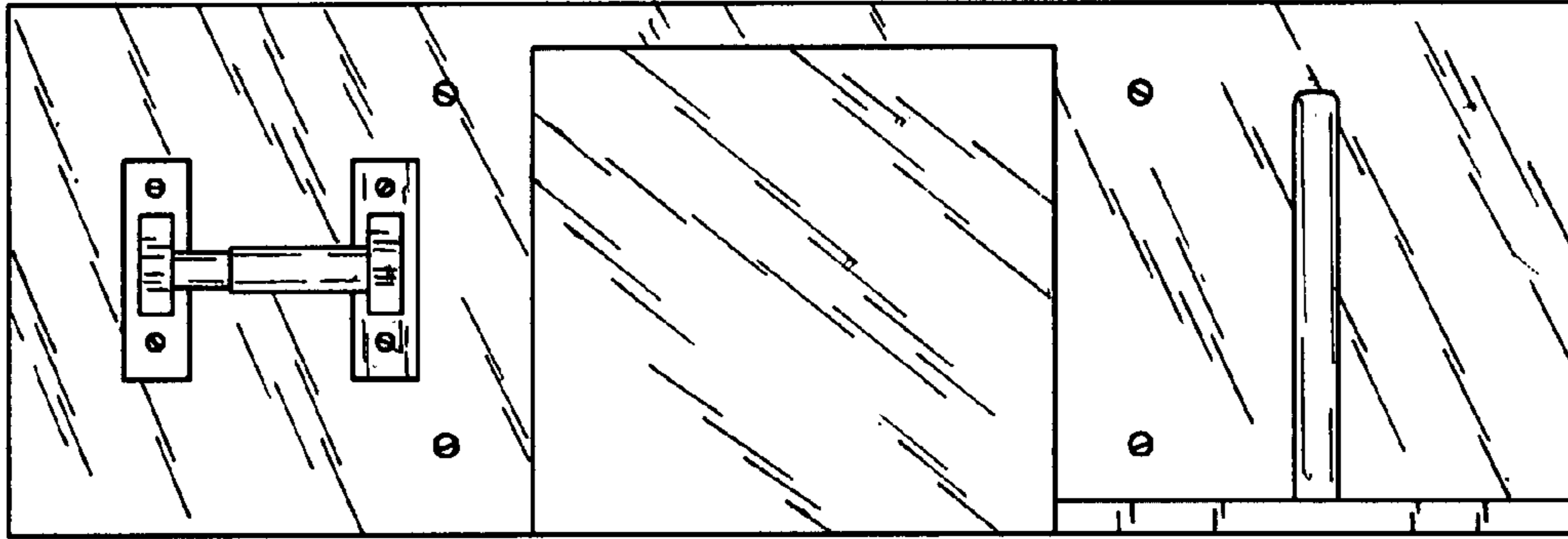


Fig. 3

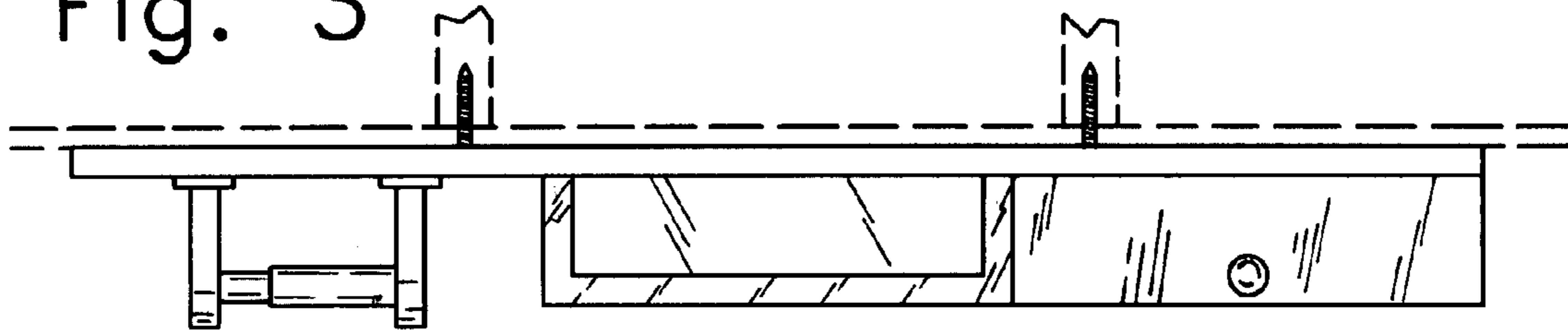


Fig. 4

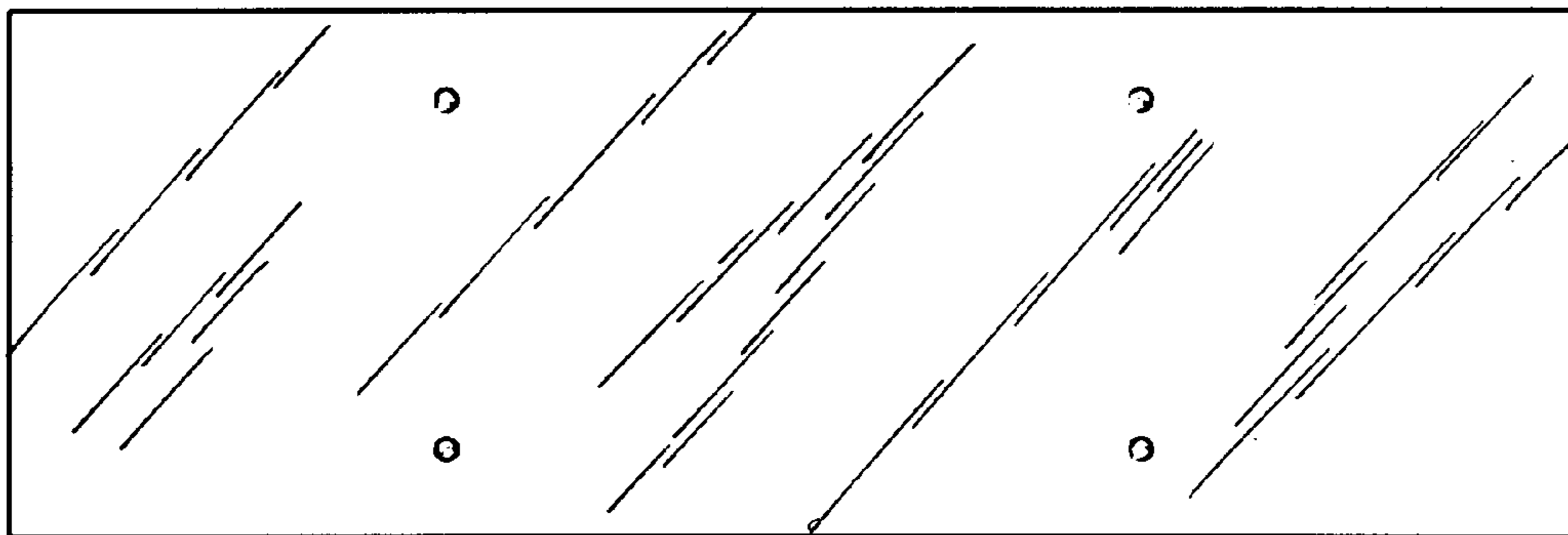


Fig. 5

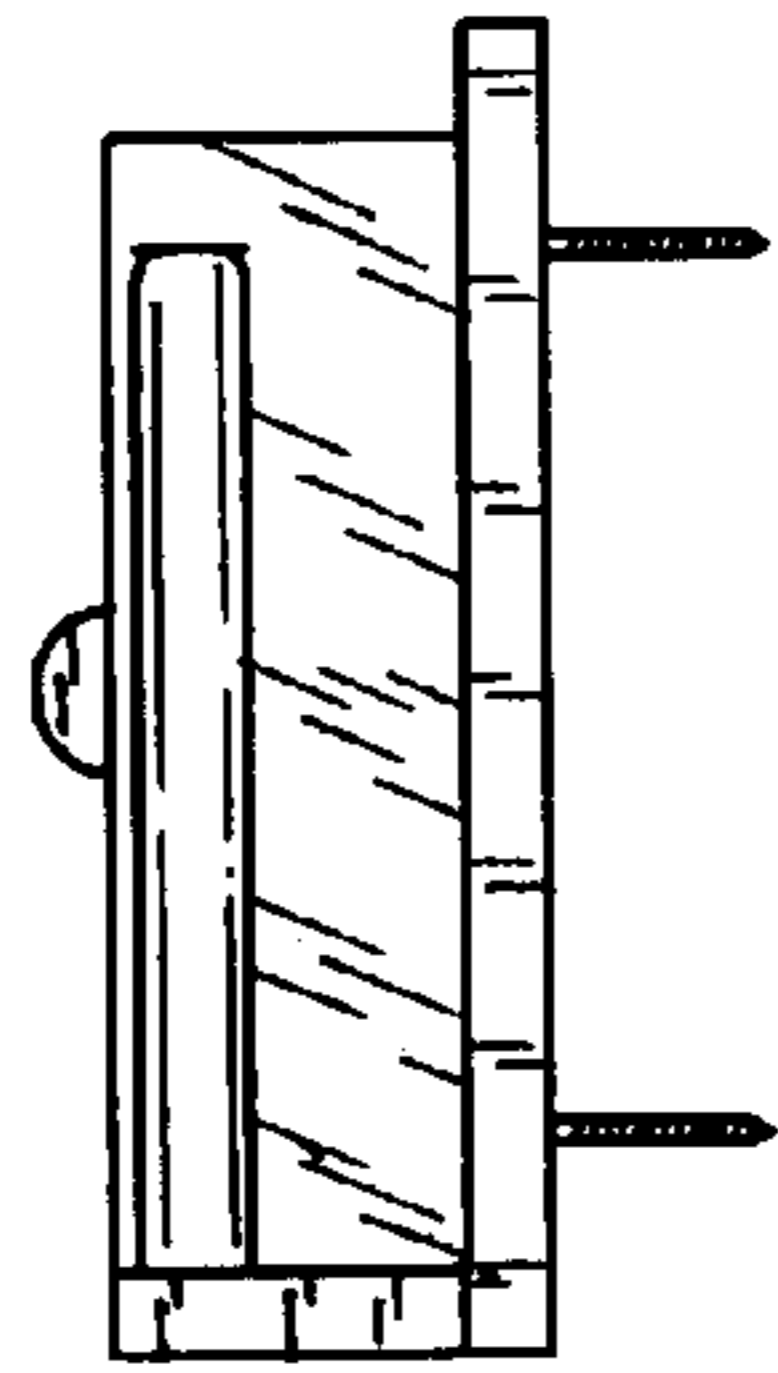


Fig. 6

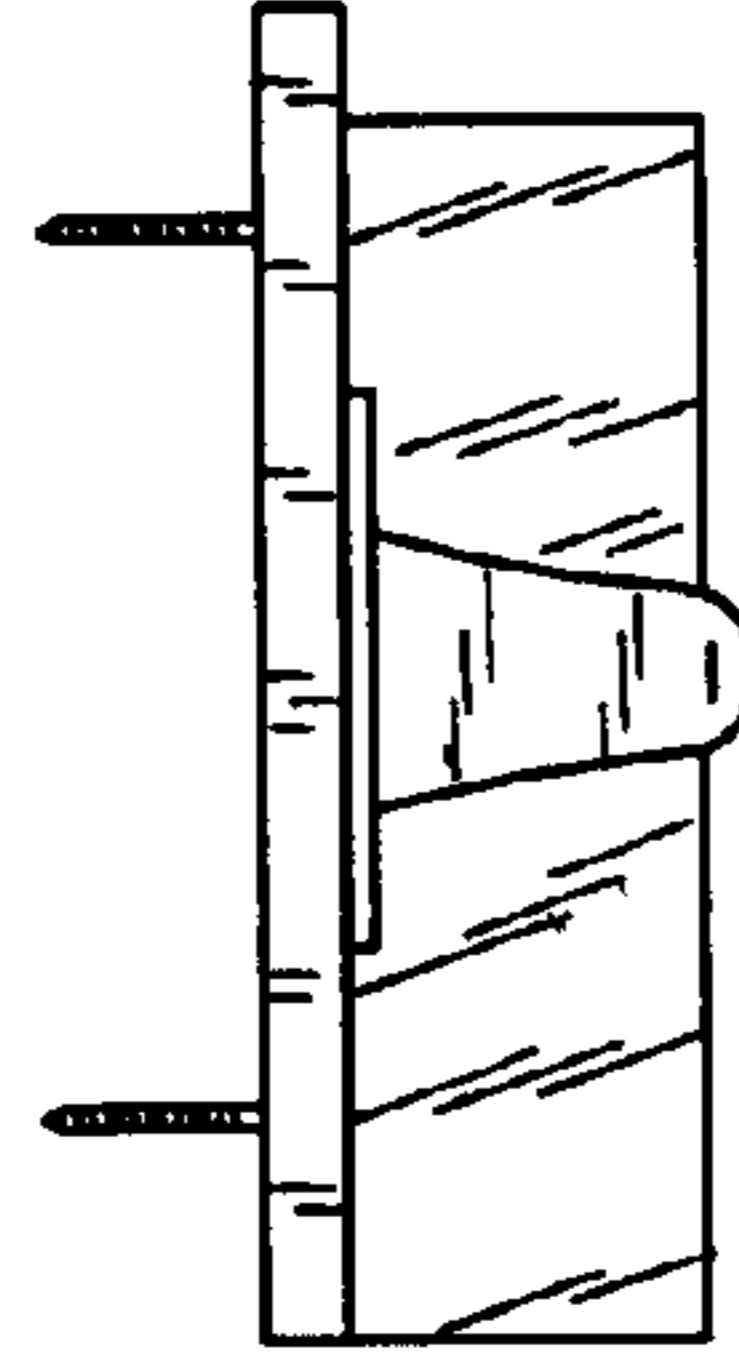


Fig. 7

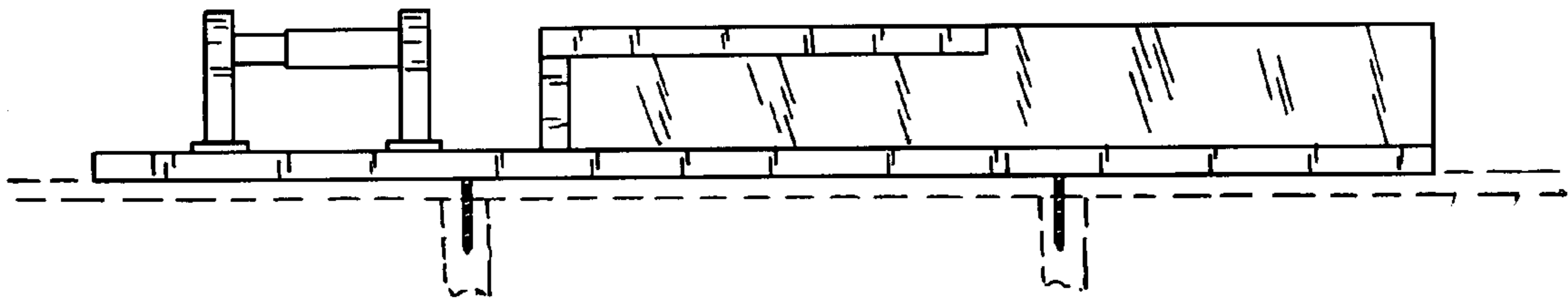


Fig. 8

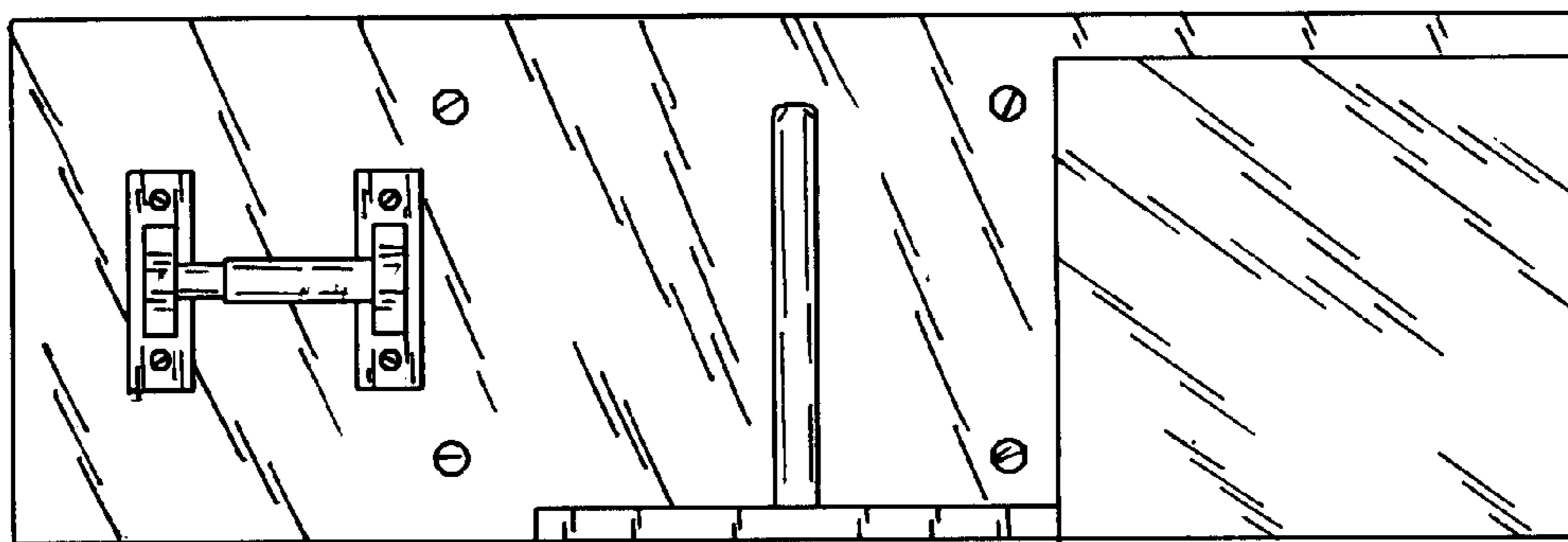




Fig. 9

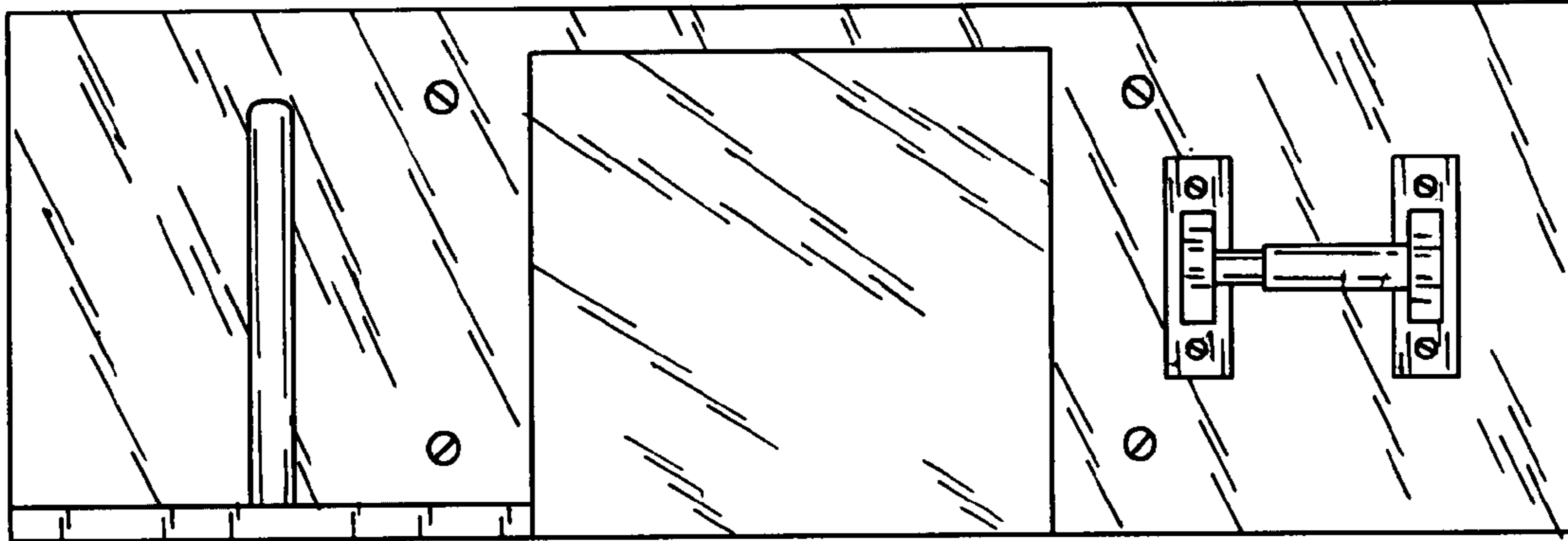


Fig. 10

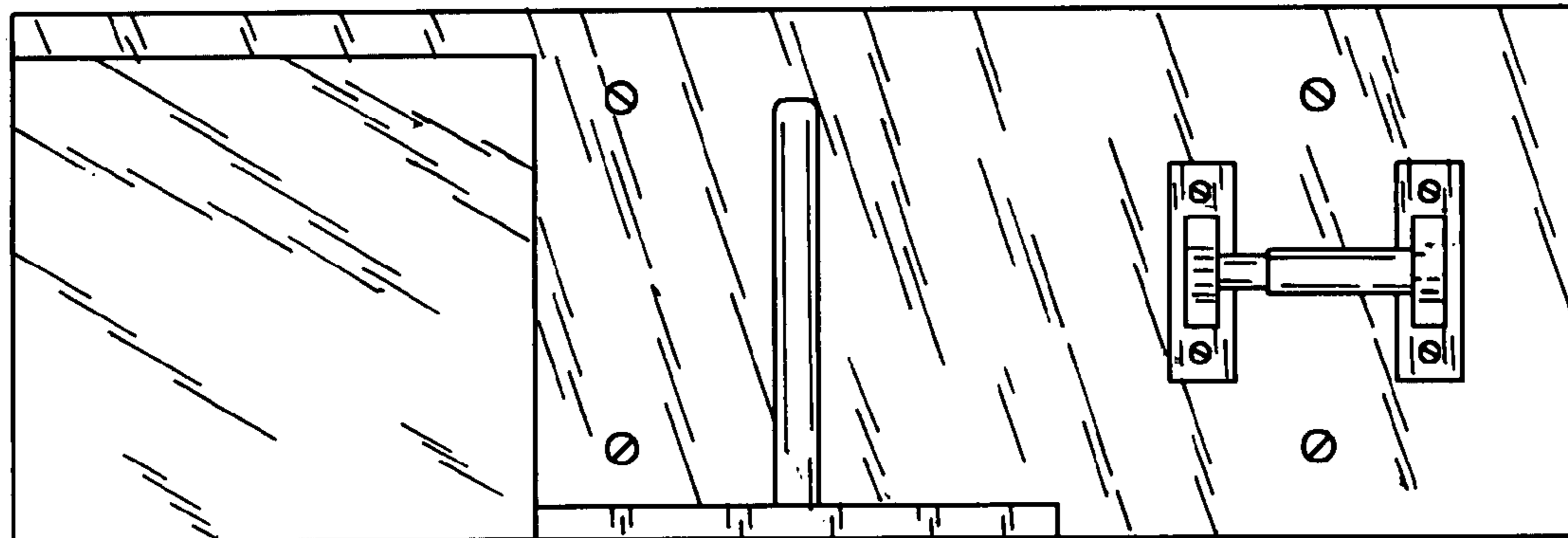


Fig 11

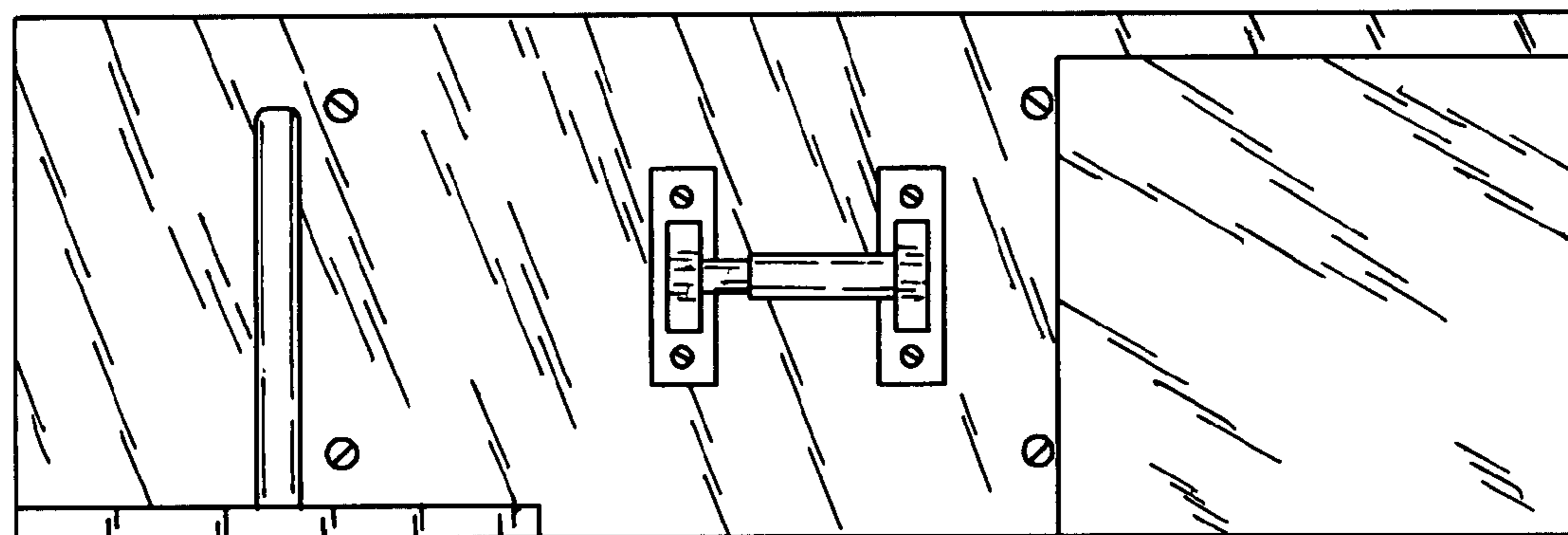


Fig. 12

