



US00D570631S

(12) **United States Design Patent**
Goodman et al.

(10) **Patent No.:** **US D570,631 S**
(45) **Date of Patent:** **** Jun. 10, 2008**

(54) **OVER-THE-DOOR TOWEL BAR**

D543,062 S * 5/2007 Snell D6/514

* cited by examiner

(75) Inventors: **Sheldon H. Goodman**, Solon, OH
(US); **Justin J. Myers**, Strongsville,
OH (US)

Primary Examiner—Brian N Vinson
(74) *Attorney, Agent, or Firm*—Pearne & Gordon LLP

(73) Assignee: **Spectrum Diversified Designs, Inc.**,
Streetsboro, OH (US)

(57) **CLAIM**

(**) Term: **14 Years**

The ornamental design for an over-the-door towel bar, as shown and described.

(21) Appl. No.: **29/278,740**

DESCRIPTION

(22) Filed: **Apr. 9, 2007**

FIG. 1 is a perspective view of an over-the-door towel bar, showing our new design;

(51) **LOC (8) Cl.** **06-06**

FIG. 2 is a front elevational view thereof;

(52) **U.S. Cl.** **D6/514**

FIG. 3 is a side elevational view thereof;

(58) **Field of Classification Search** D6/512–514,
D6/570, 315, 574, 320, 548, 549; 211/13.1,
211/34–39, 85.31, 113; 248/309.2

FIG. 4 is a rear elevational view thereof; and,

See application file for complete search history.

FIG. 5 is a perspective view of a second embodiment of an over-the-door towel bar, wherein the jagged broken lines form no part of the claimed design and the subject matter between the jagged lines is broken away to disclose indeterminate height.

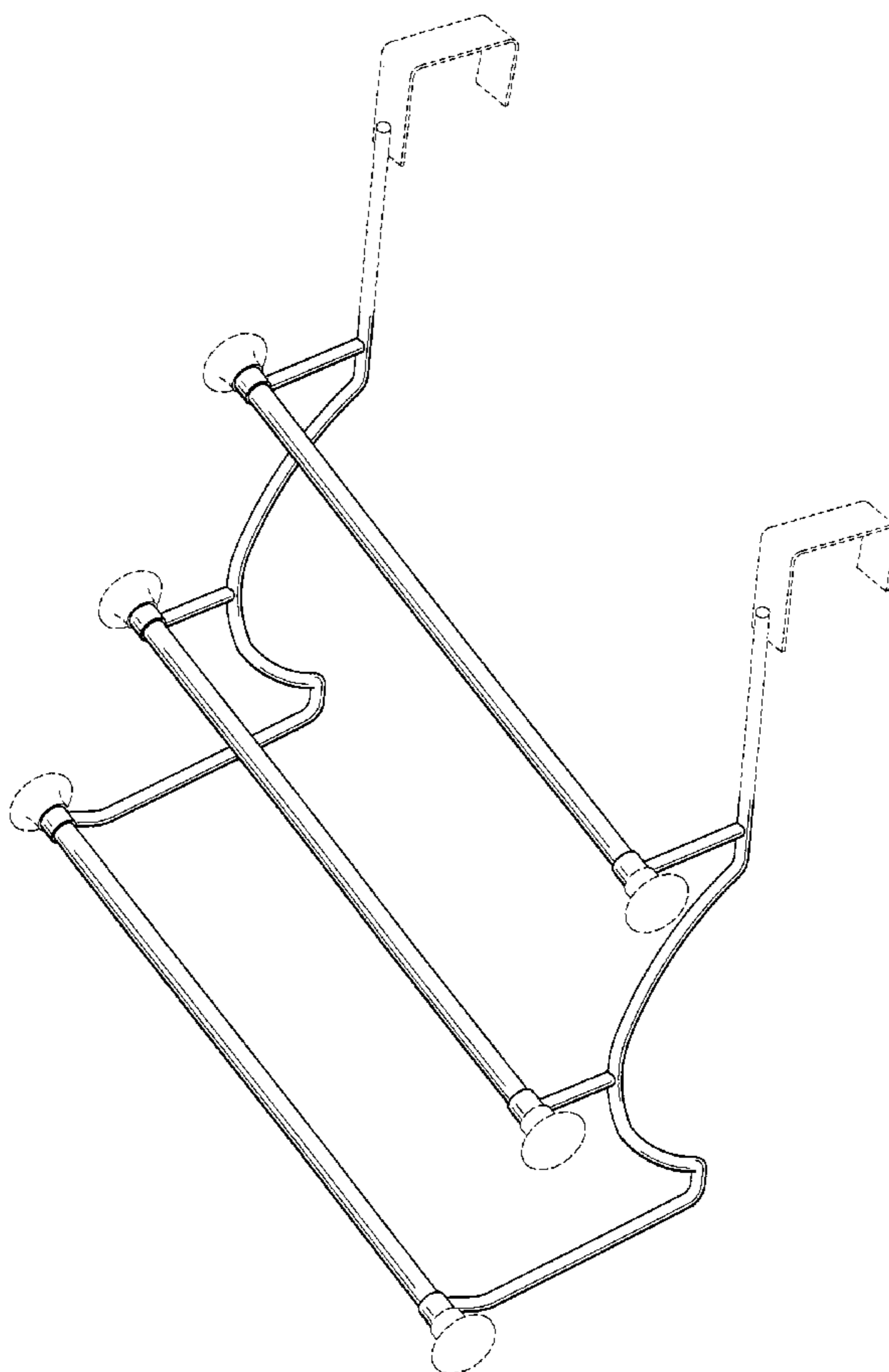
(56) **References Cited**

The dotted-line disclosure of elements in the views is for illustrative purposes only and forms no part of the claimed design.

U.S. PATENT DOCUMENTS

- D354,412 S * 1/1995 Emery D6/548
- D507,137 S * 7/2005 Klein et al. D6/514
- D526,520 S * 8/2006 Clucas D6/514
- D542,065 S * 5/2007 Snell D6/514

1 Claim, 3 Drawing Sheets



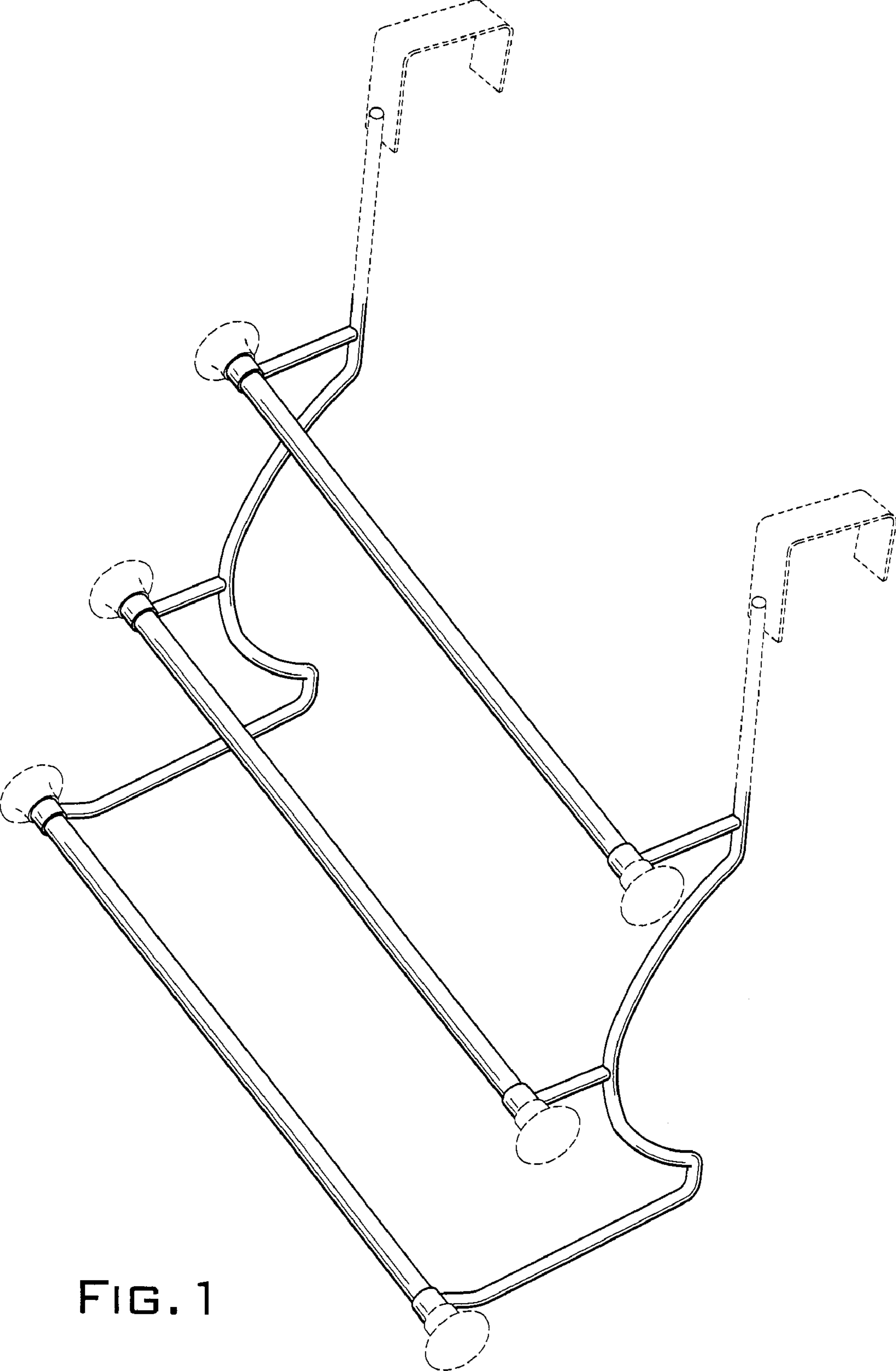


FIG. 1

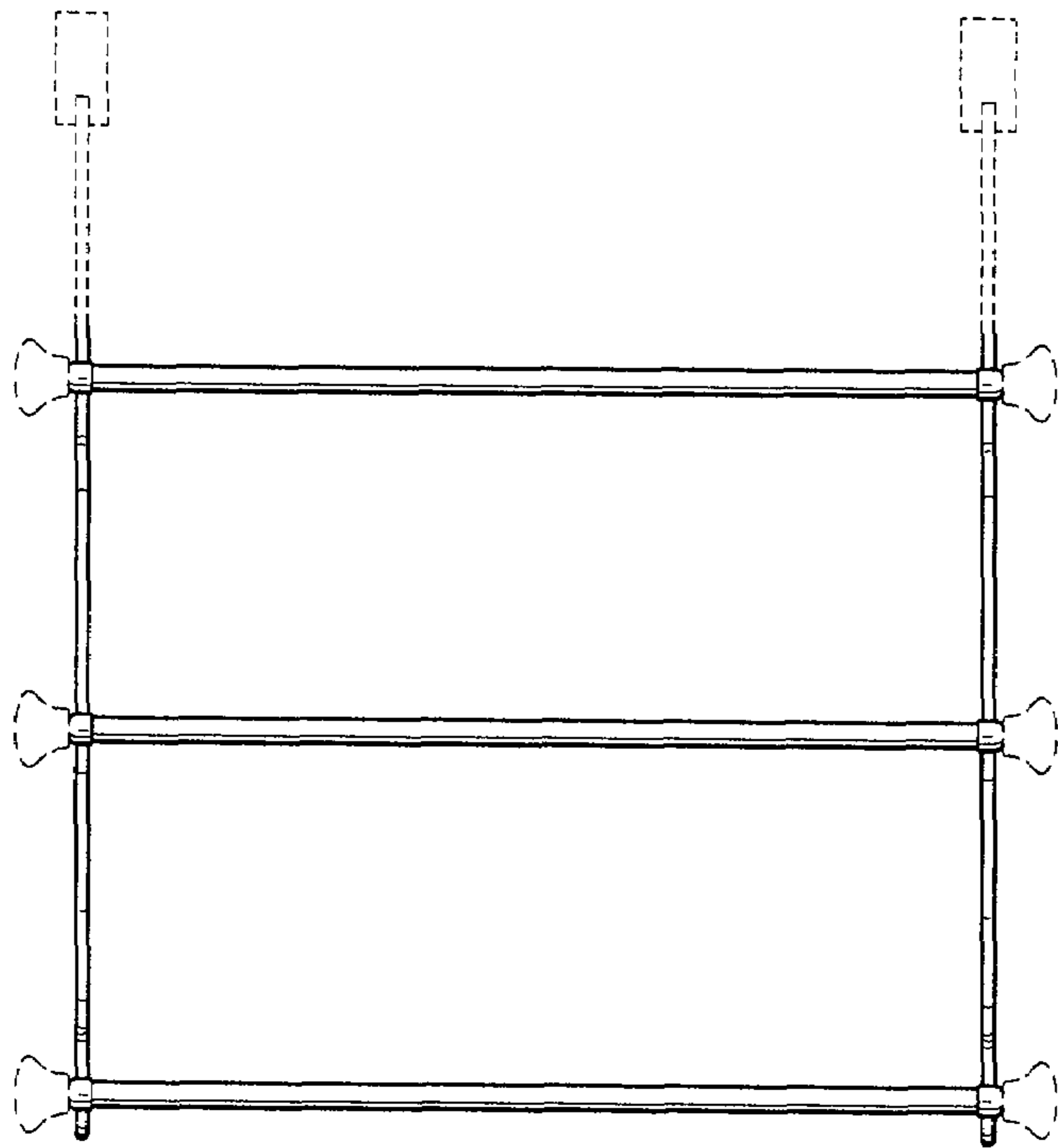


FIG. 2

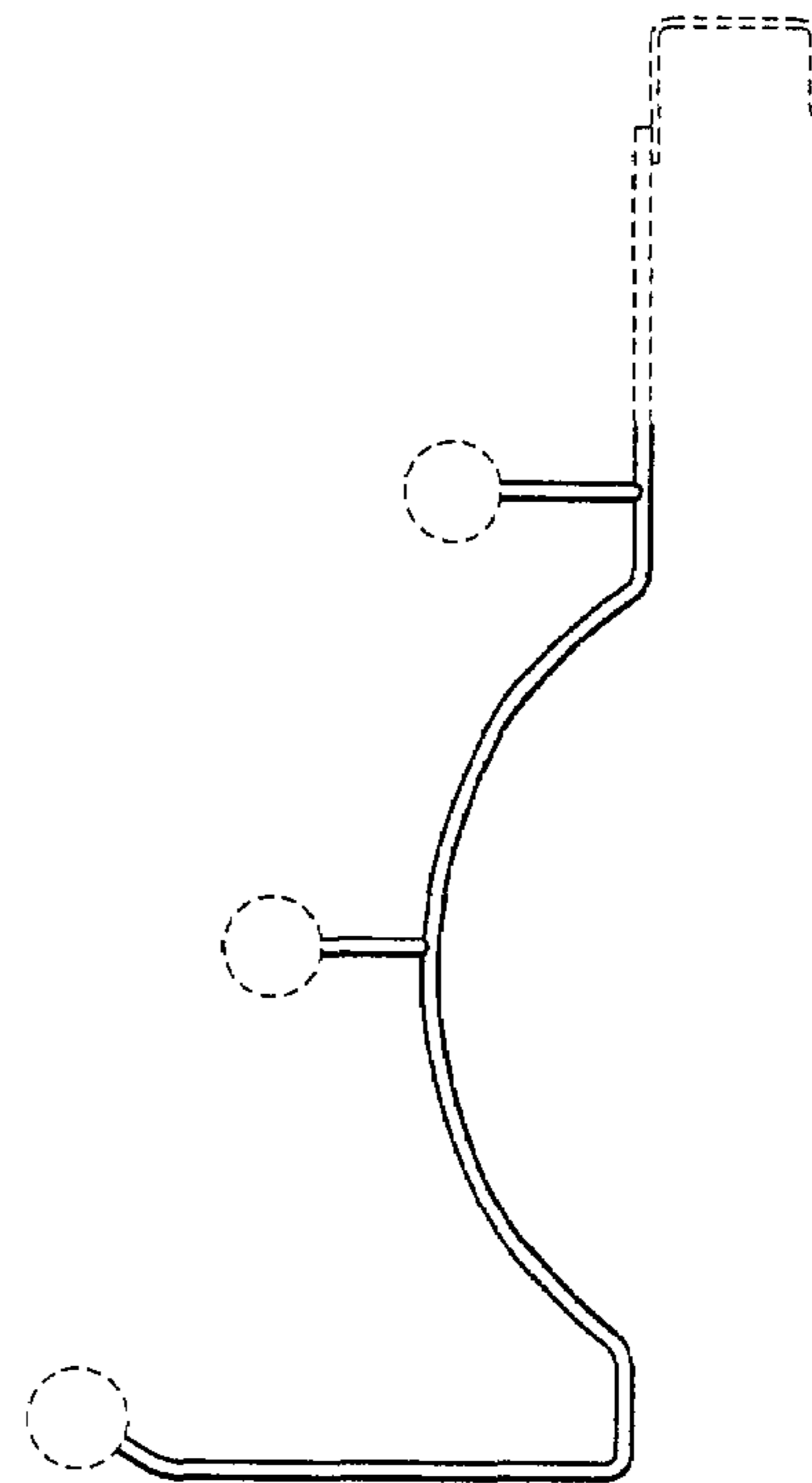


FIG. 3

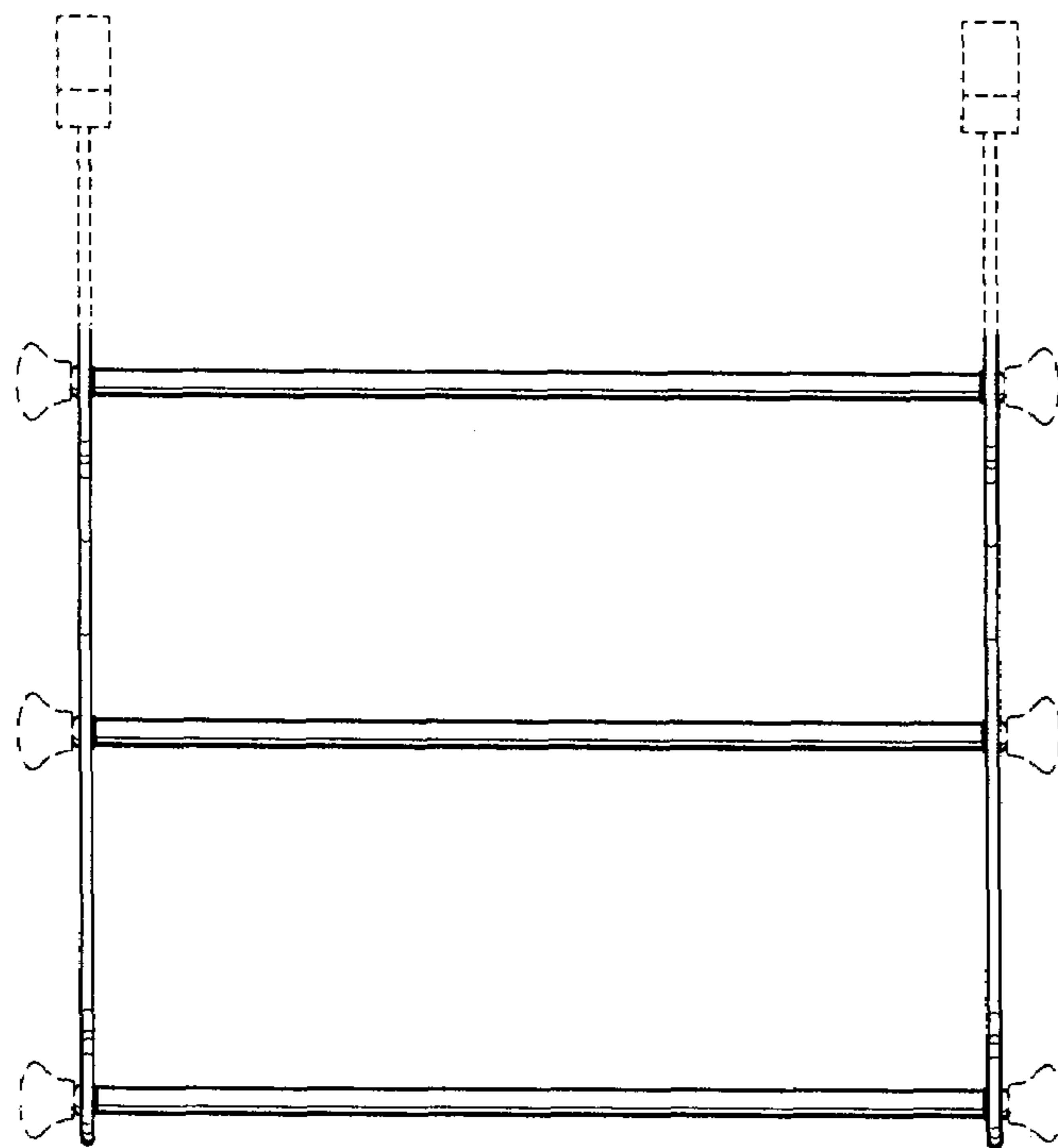


FIG. 4

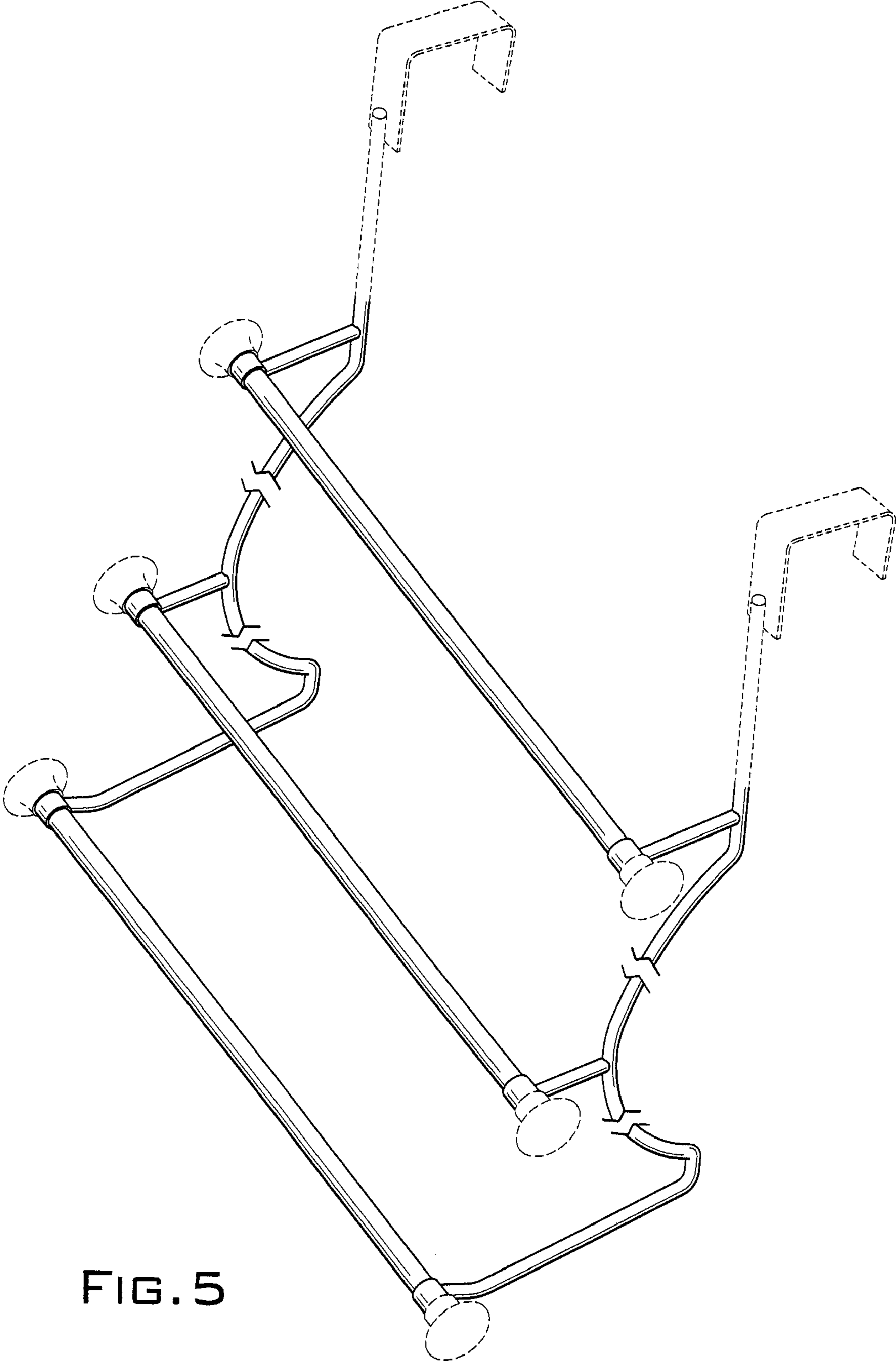


FIG. 5