



US00D570630S

(12) **United States Design Patent**  
**D'Angelo**

(10) **Patent No.:** **US D570,630 S**  
(45) **Date of Patent:** **\*\* Jun. 10, 2008**

(54) **WOODEN CLOSET WHEEL**

*Primary Examiner*—Brian N Vinson

(76) Inventor: **Patricia D'Angelo**, 46 Chicory Rd.,  
Westford, MA (US) 01886

(57) **CLAIM**

The ornamental design for wooden closet wheel, as shown and described.

(\*\*) Term: **14 Years**

(21) Appl. No.: **29/276,982**

**DESCRIPTION**

(22) Filed: **Feb. 9, 2007**

FIG. 1 is a perspective view of a wooden closet wheel of the present invention, illustrating a mounting pole in phantom outline, the broken lines showing the mounting pole for illustrative purposes only and forming no part of the claimed design;

(51) **LOC (8) Cl.** ..... **06-06**

(52) **U.S. Cl.** ..... **D6/511**

(58) **Field of Classification Search** ..... D6/511,  
D6/553, 567, 574; 108/28–29, 139, 94; 248/235,  
248/309.1; 211/13.1, 42, 71.01, 77, 86.01,  
211/88.01, 88.03, 90.01, 90.03, 126.1, 133.5,  
211/134; D7/501

FIG. 2 is a top plan view of the invention;

FIG. 3 is a bottom plan view of the invention;

See application file for complete search history.

FIG. 4 is a front elevational view of the invention, illustrating the mounting pole in phantom outline, the broken lines showing the mounting pole for illustrative purposes only and forming no part of the claimed design, the rear elevational view of the invention being a mirror image thereof; and,

(56) **References Cited**

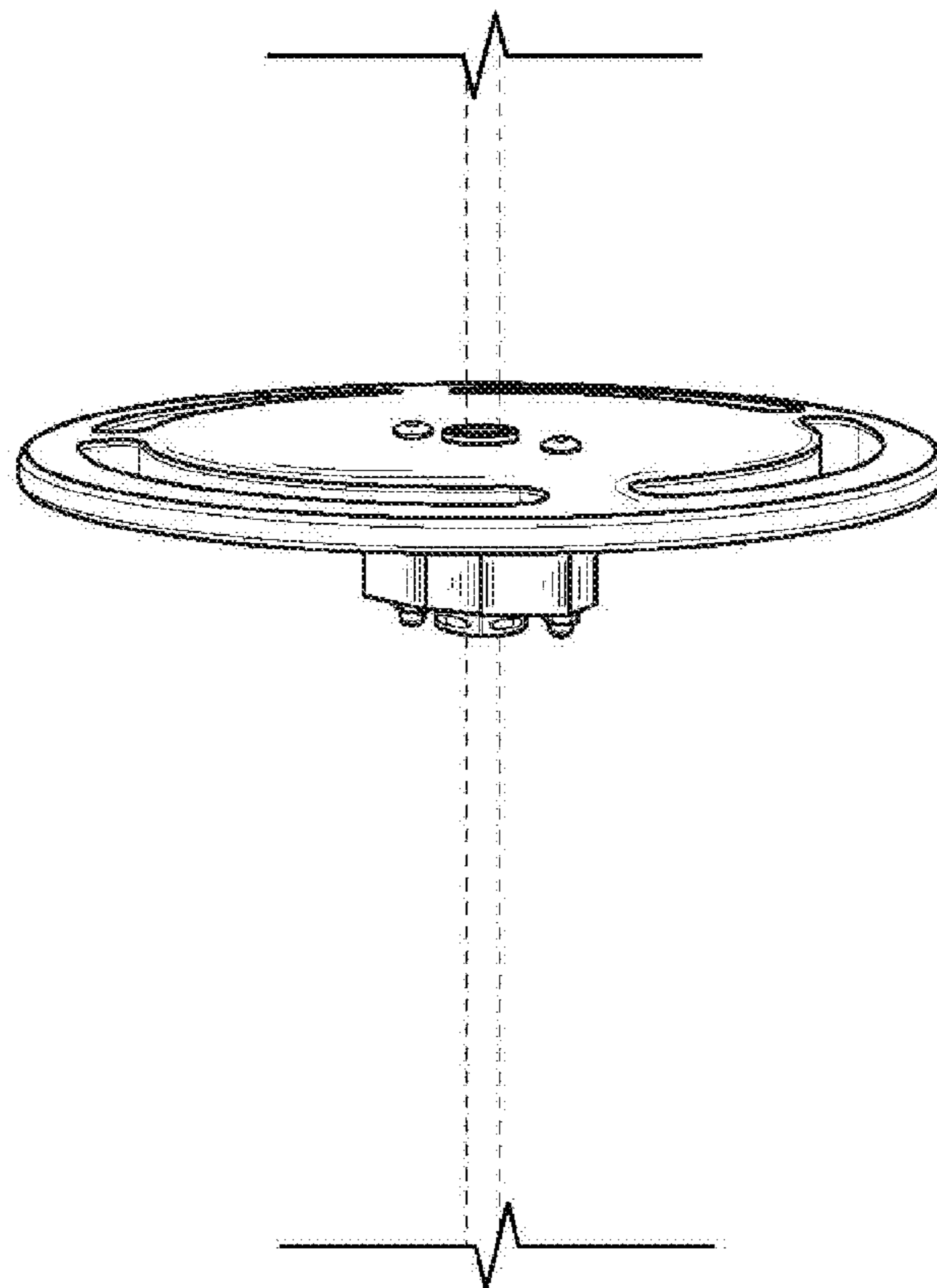
**U.S. PATENT DOCUMENTS**

197,931 A *	12/1877	Haight	.....	108/94
2,141,001 A *	12/1938	Horsley	.....	108/139
D301,956 S *	7/1989	Newton	.....	D7/501
D445,619 S *	7/2001	Achey	.....	D6/511
D519,309 S *	4/2006	Terada	.....	D6/511
D559,596 S *	1/2008	Matty et al.	.....	D6/511

FIG. 5 is a left-side elevational view of the invention, illustrating the mounting pole in phantom outline, the broken lines showing the mounting pole for illustrative purposes only and forming no part of the claimed design, the right-side elevational view of the invention being a mirror image thereof.

\* cited by examiner

**1 Claim, 2 Drawing Sheets**



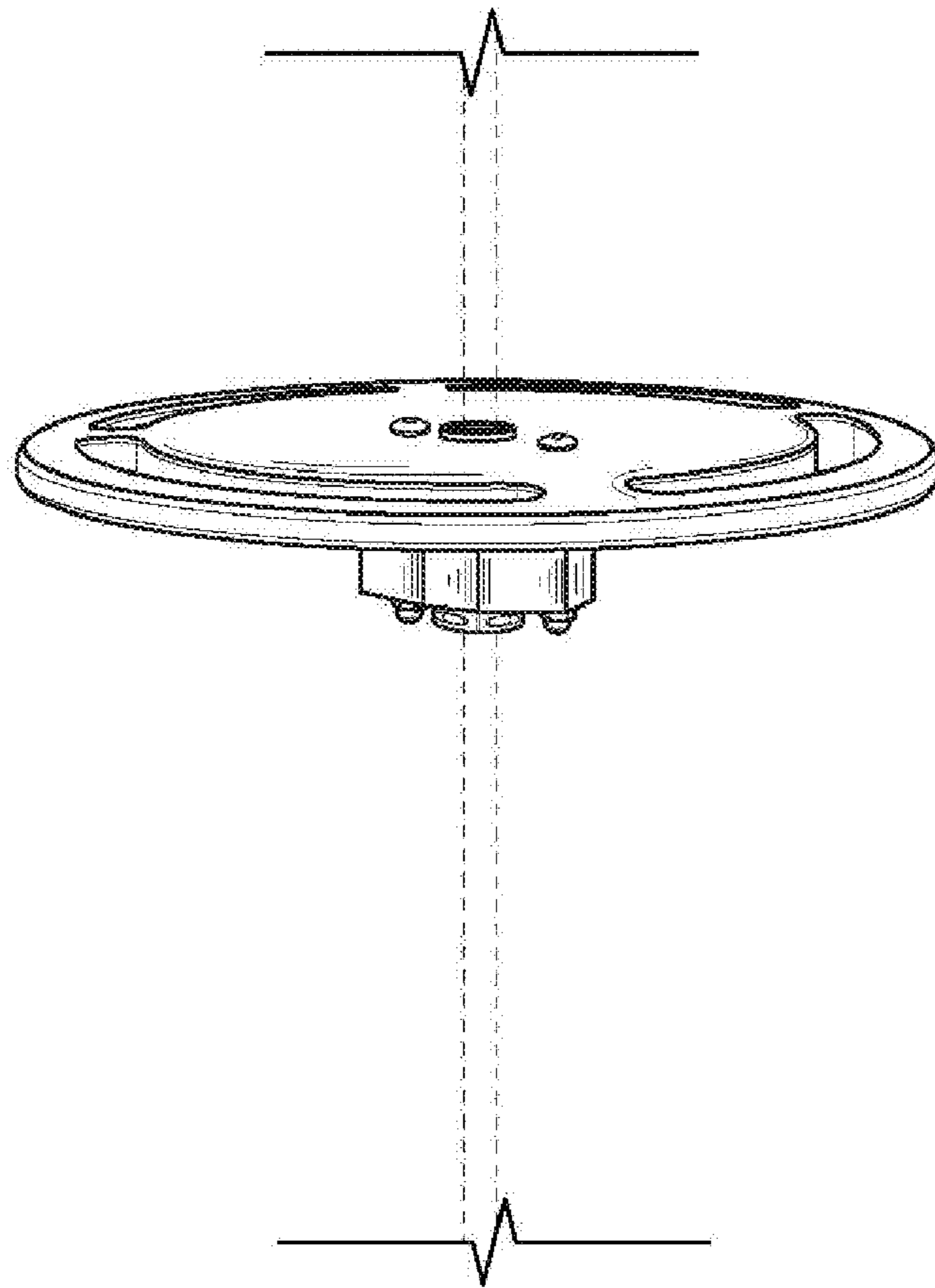


FIG. 1

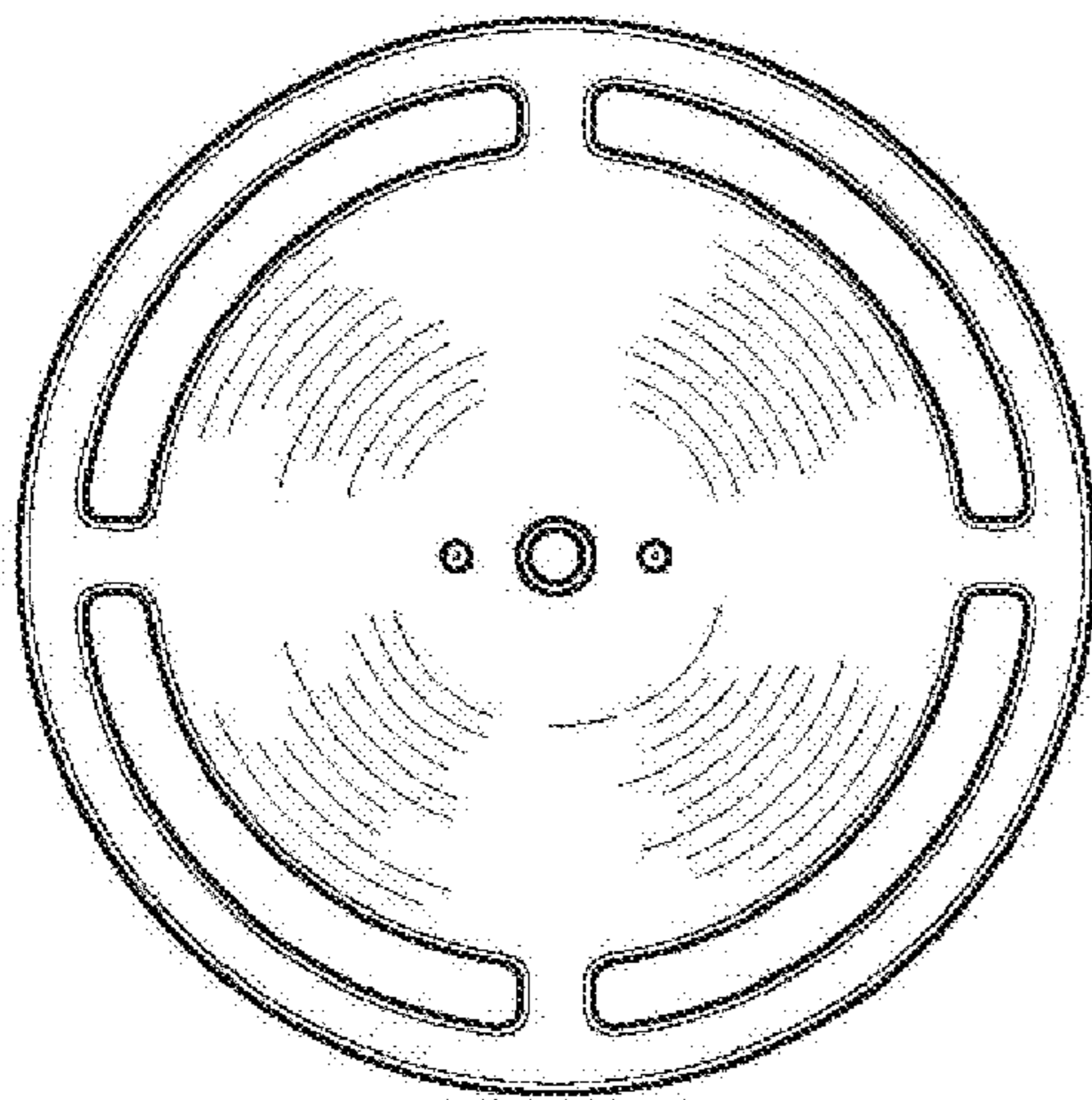


FIG. 2

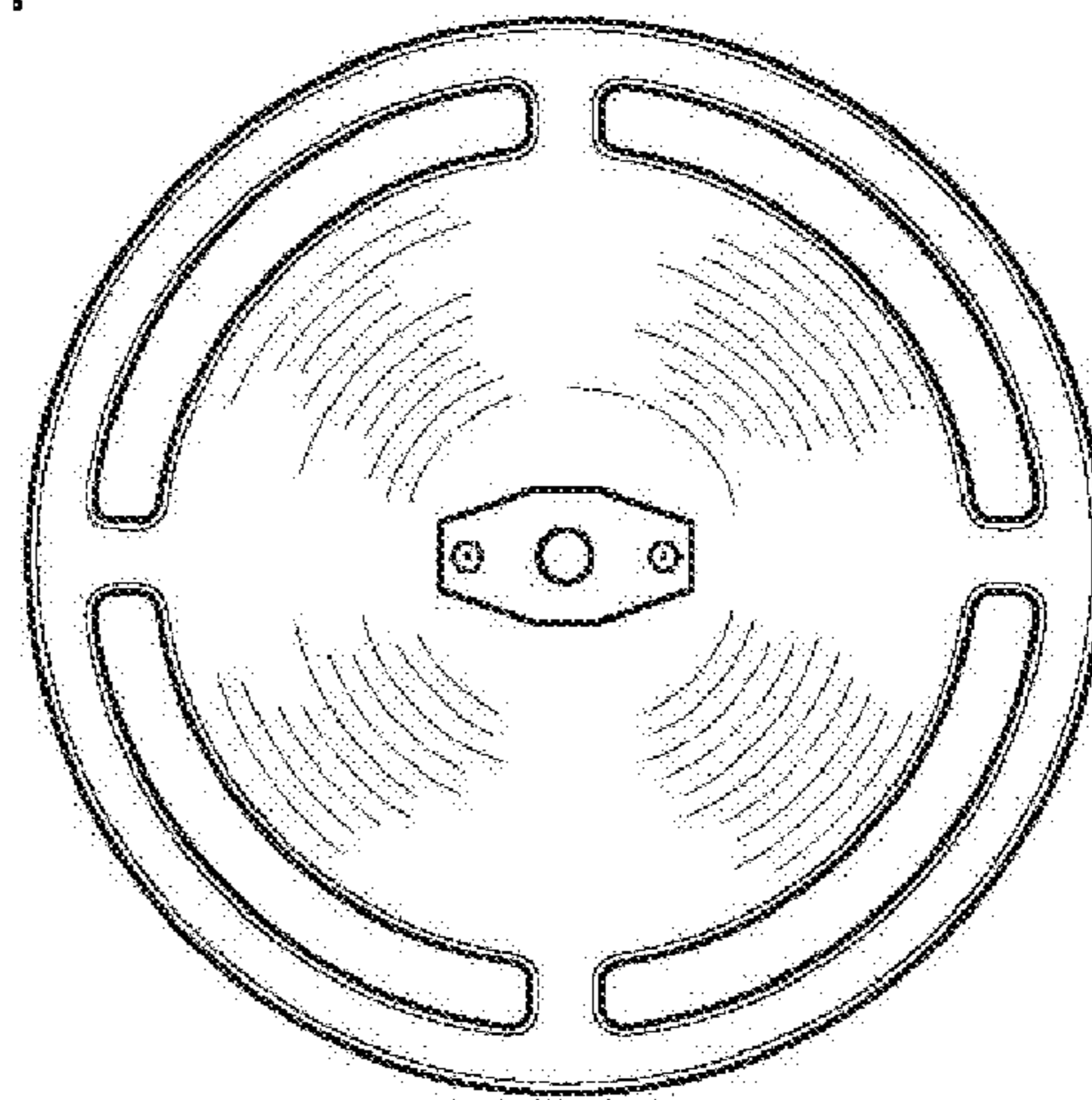


FIG. 3

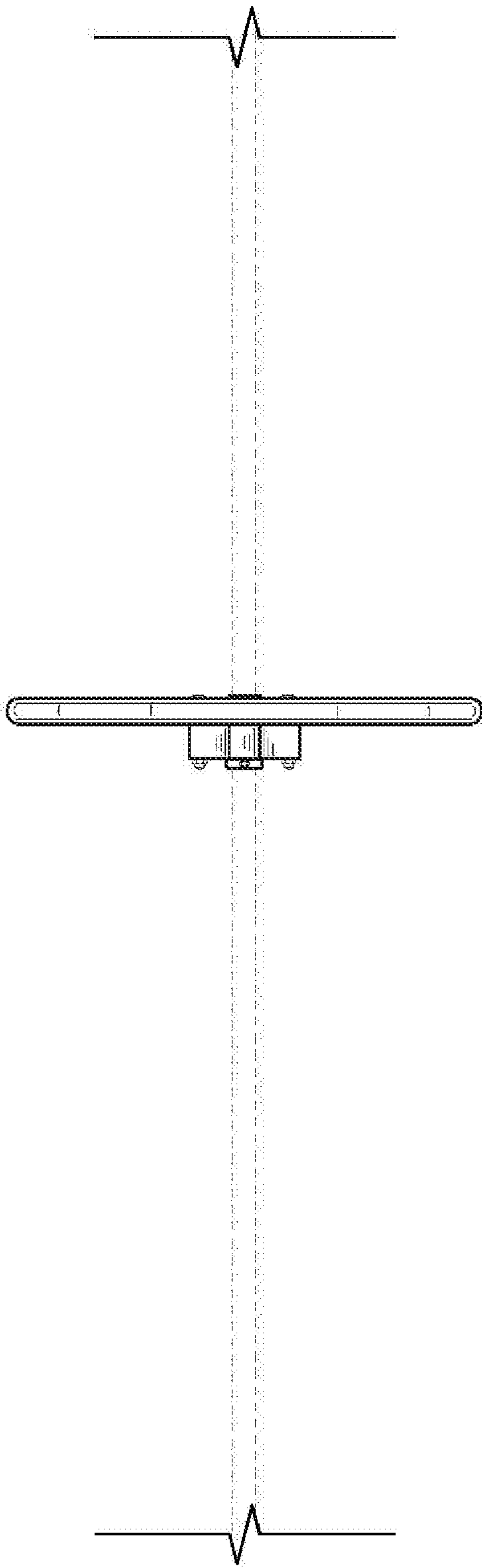


FIG. 4

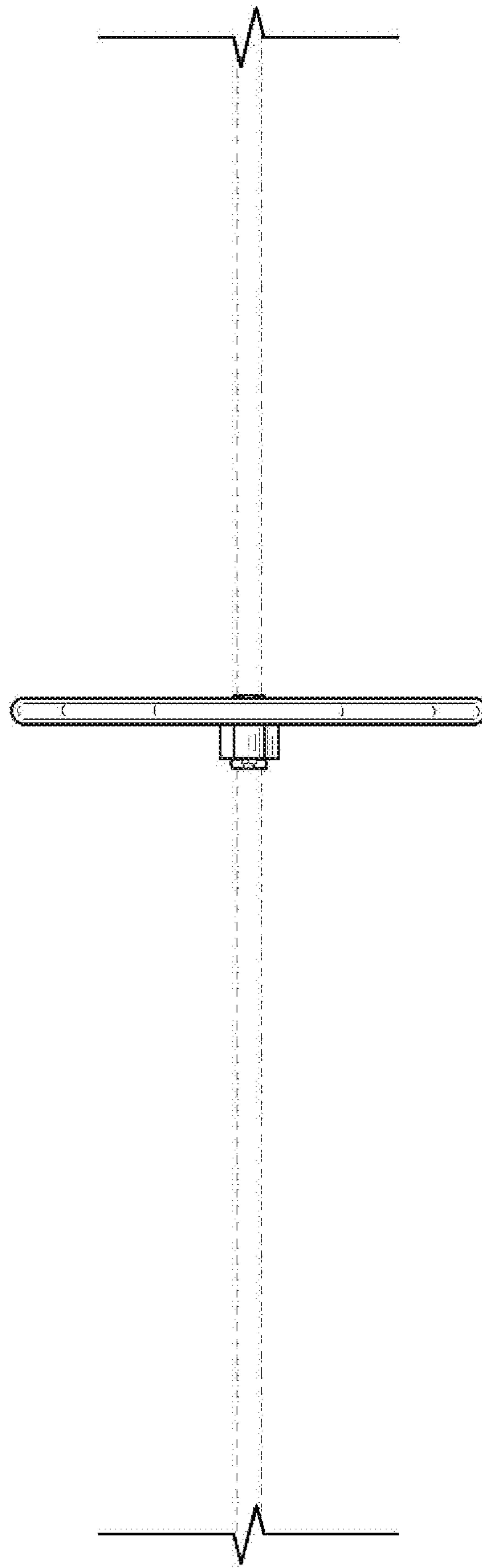


FIG. 5