

US00D570629S

(12) **United States Design Patent**
Mehmen

(10) **Patent No.:** **US D570,629 S**
(45) **Date of Patent:** **** Jun. 10, 2008**

(54) **WORKBENCH**

(75) Inventor: **Robert Mehmen**, Shell Rock, IA (US)

(73) Assignee: **Waterloo Industries, Inc.**, Waterloo, IA (US)

(**) Term: **14 Years**

(21) Appl. No.: **29/285,634**

(22) Filed: **Apr. 4, 2007**

(51) **LOC (8) Cl.** **06-04**

(52) **U.S. Cl.** **D6/509**

(58) **Field of Classification Search** D6/396-400,
D6/422-428, 436, 474-489, 495, 509-511;
D21/522; 108/50.01, 50.02; 248/188, 188.1,
248/188.8; 312/194-196, 204, 208.1, 208.2,
312/208.4, 239

See application file for complete search history.

(56) **References Cited**

U.S. PATENT DOCUMENTS

D277,019 S *	1/1985	Appel et al.	D21/522
D278,583 S *	4/1985	Koguma	D6/426
D317,092 S *	5/1991	Koguma	D6/428
5,024,167 A *	6/1991	Hayward	108/50.02
D379,724 S *	6/1997	Lo	D6/436
D394,761 S *	6/1998	Bird et al.	D6/428
D415,365 S *	10/1999	Nicklas	D6/400
D479,064 S *	9/2003	Goldberg	D6/480

OTHER PUBLICATIONS

Northern Tool & Equipment: Automotive, 2003, p. 20, Deluxe 5 ft. Workbench.*

* cited by examiner

Primary Examiner—Caron D. Veynar

Assistant Examiner—Ricky Pham

(74) *Attorney, Agent, or Firm*—Calfee, Halter & Griswold LLP

(57) **CLAIM**

The ornamental design for a workbench, as shown and described.

DESCRIPTION

FIG. 1 is a perspective view of a workbench of the new design;

FIG. 2 is a front elevational view of the workbench of FIG. 1;

FIG. 3 is a right side elevational view of the workbench of FIG. 1;

FIG. 4 is a left side elevational view of the workbench of FIG. 1;

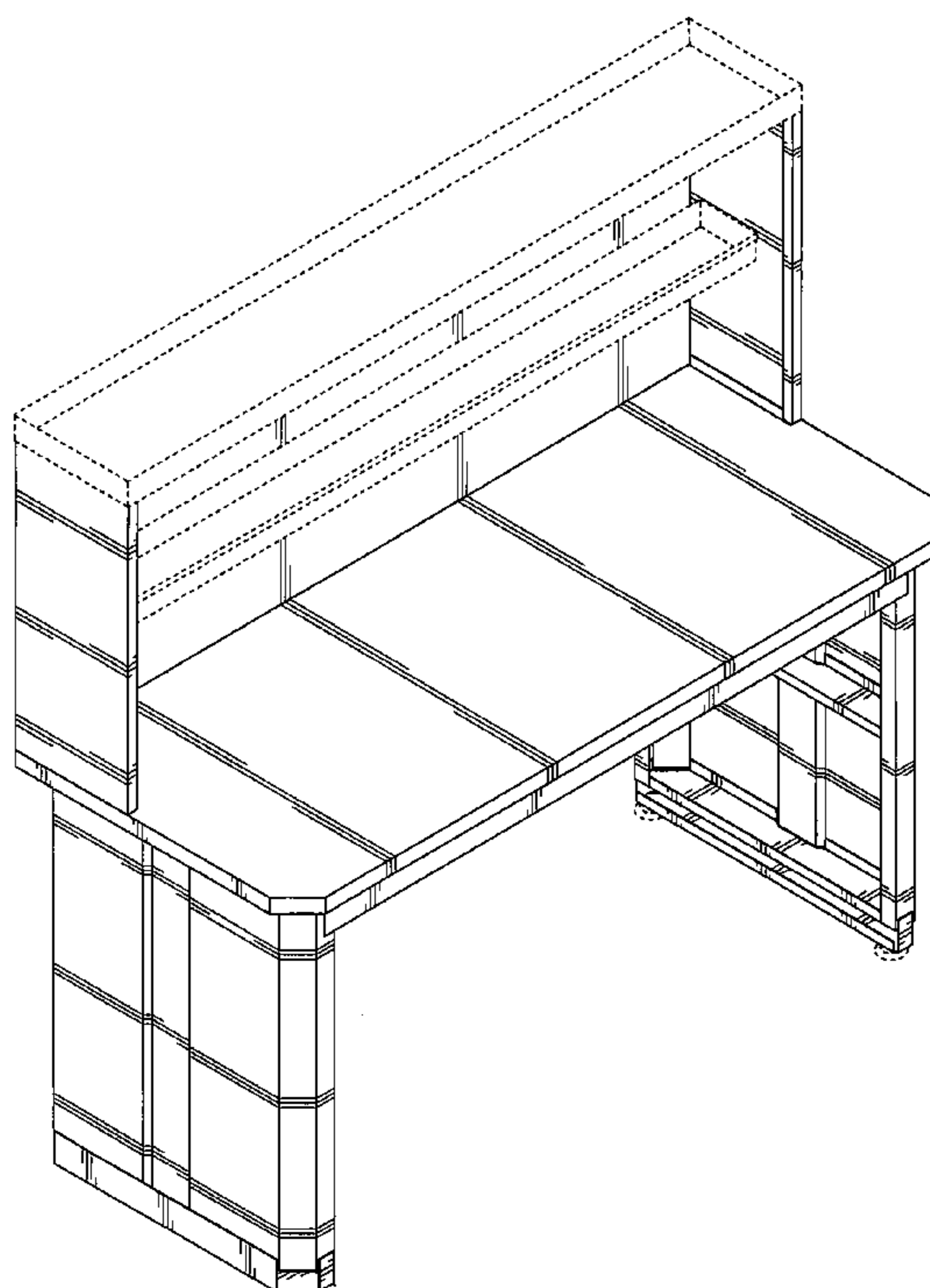
FIG. 5 is a rear elevational view of the workbench of FIG. 1;

FIG. 6 is a top plan view of the workbench of FIG. 1; and,

FIG. 7 is a bottom plan view of the workbench of FIG. 1.

The portions of the Figures shown in broken lines are not part of the claimed design and are for illustration only.

1 Claim, 5 Drawing Sheets



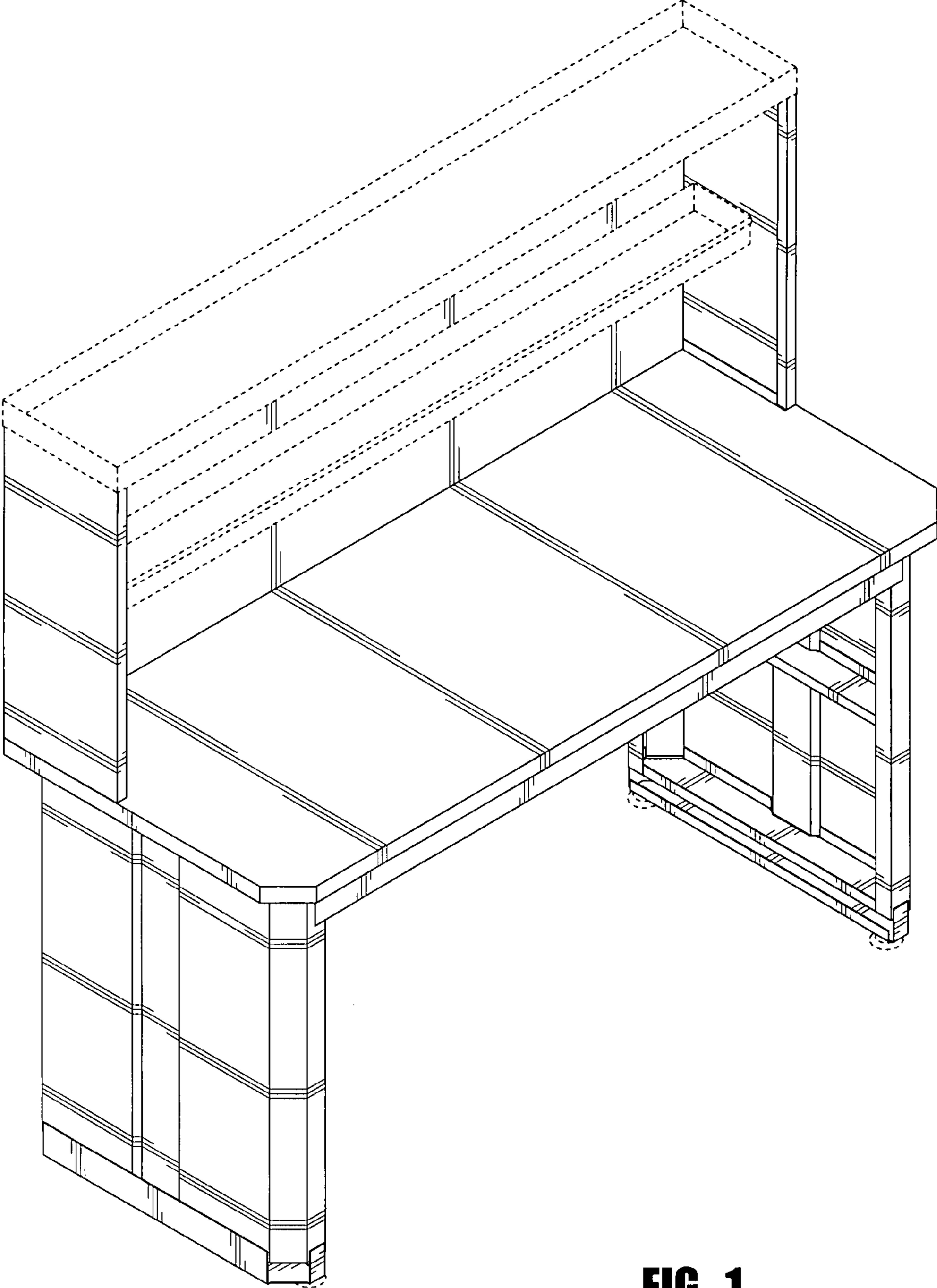


FIG. 1

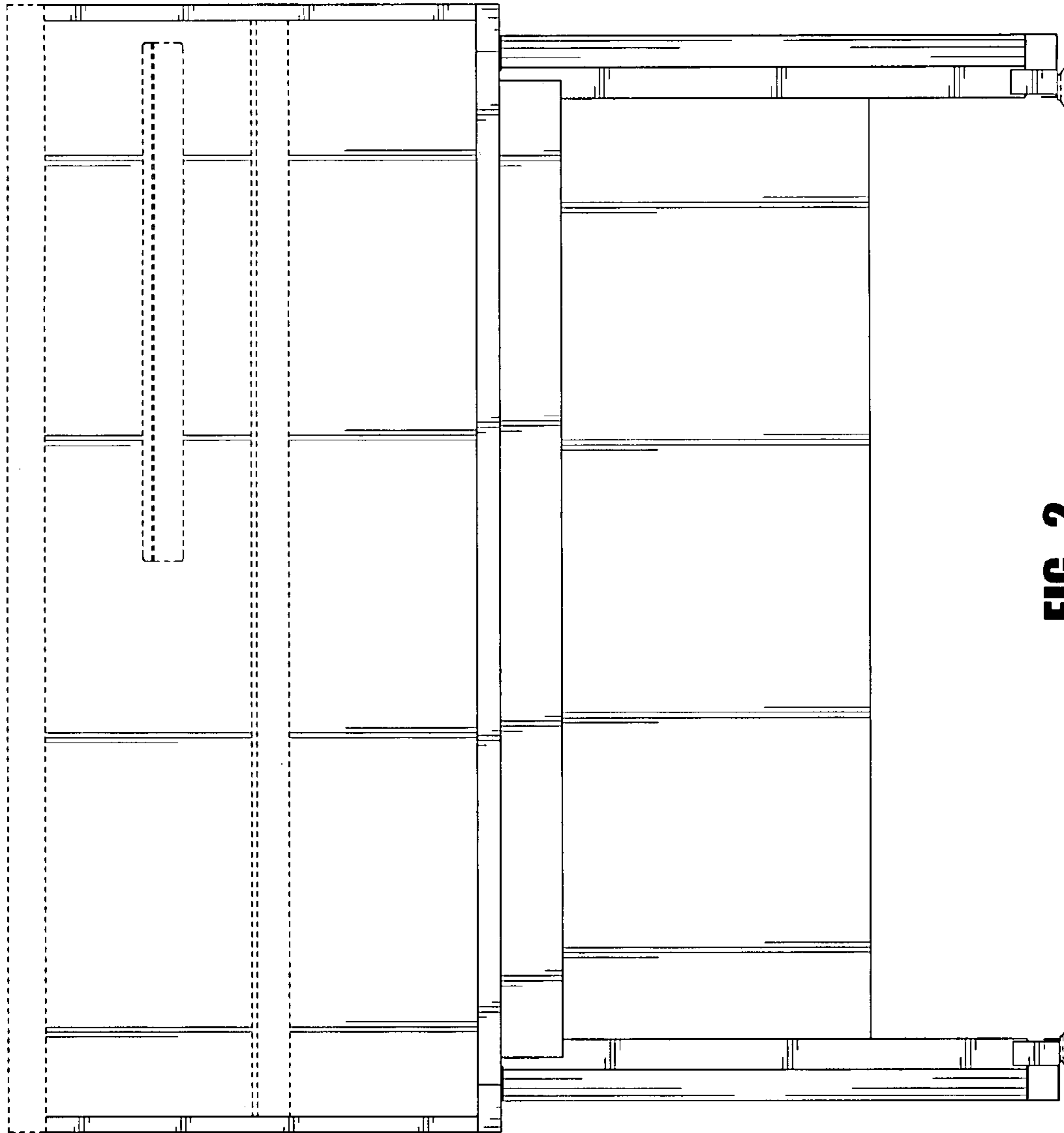


FIG. 2

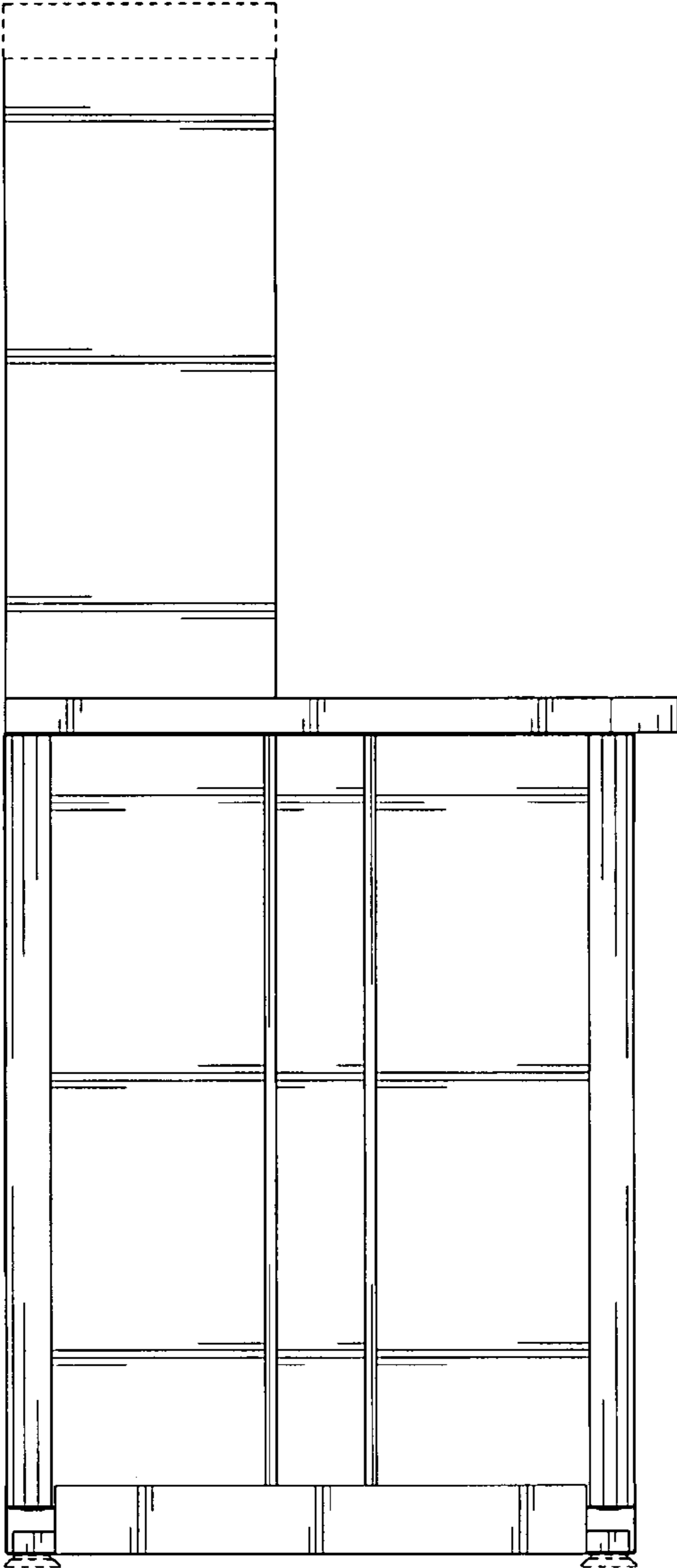


FIG. 3

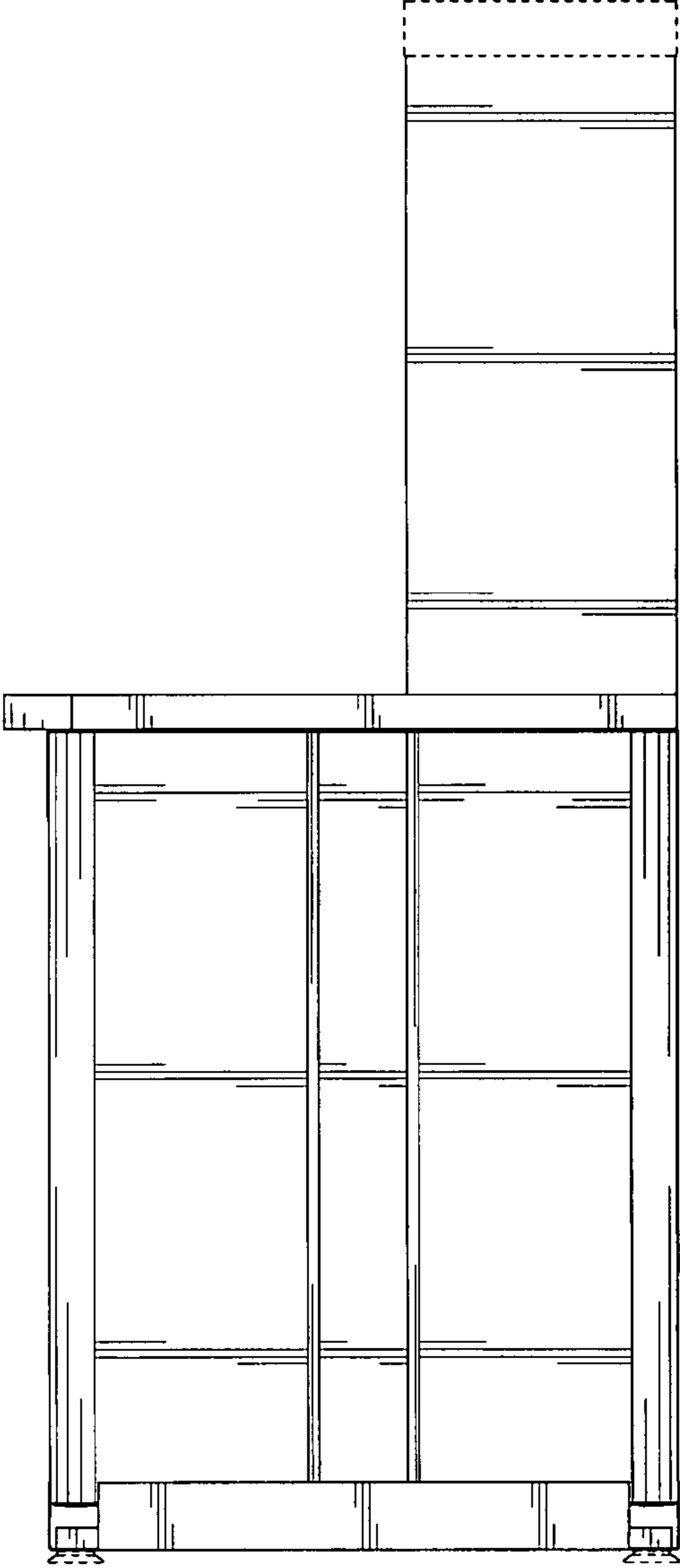


FIG. 4

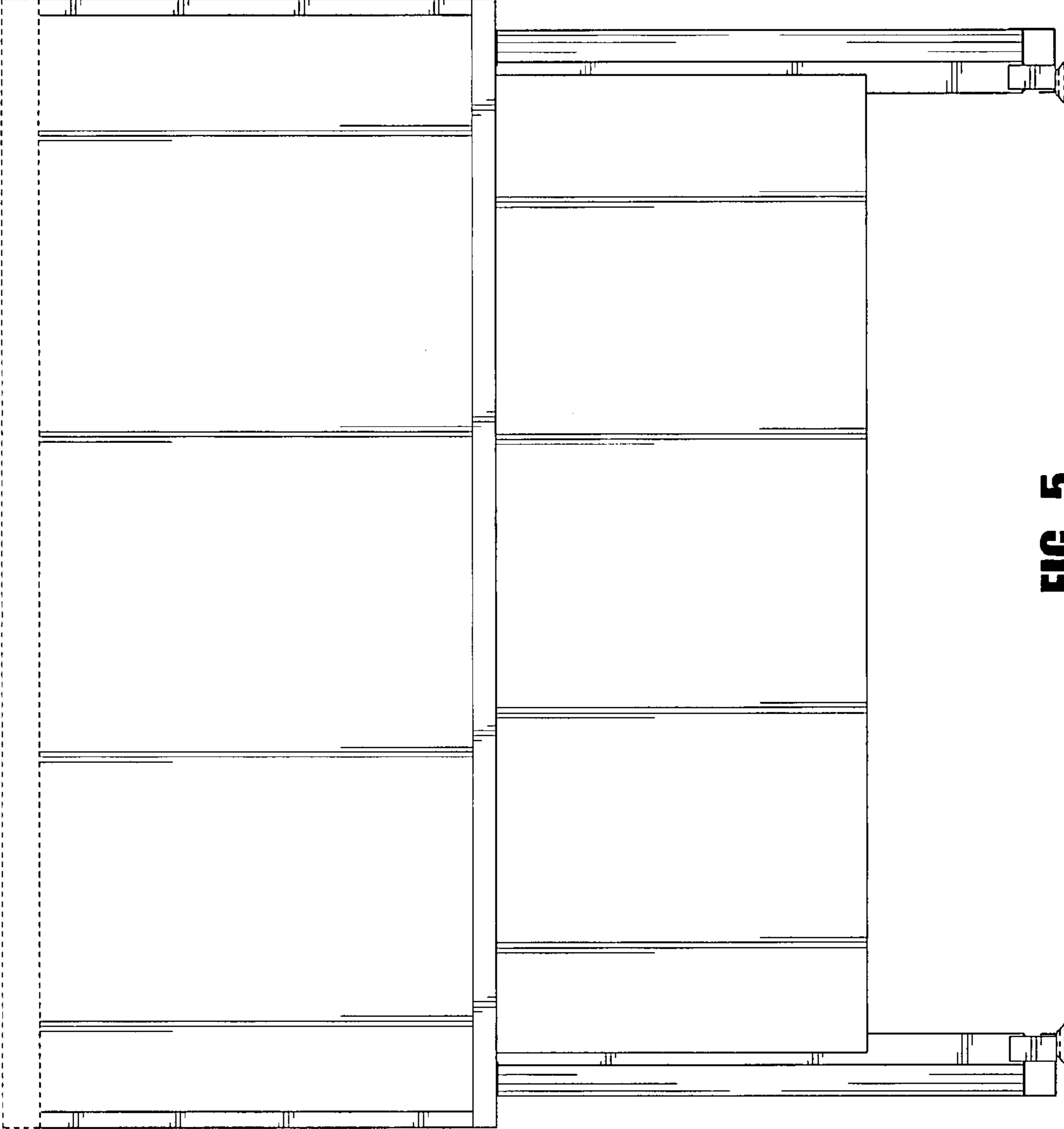


FIG. 5

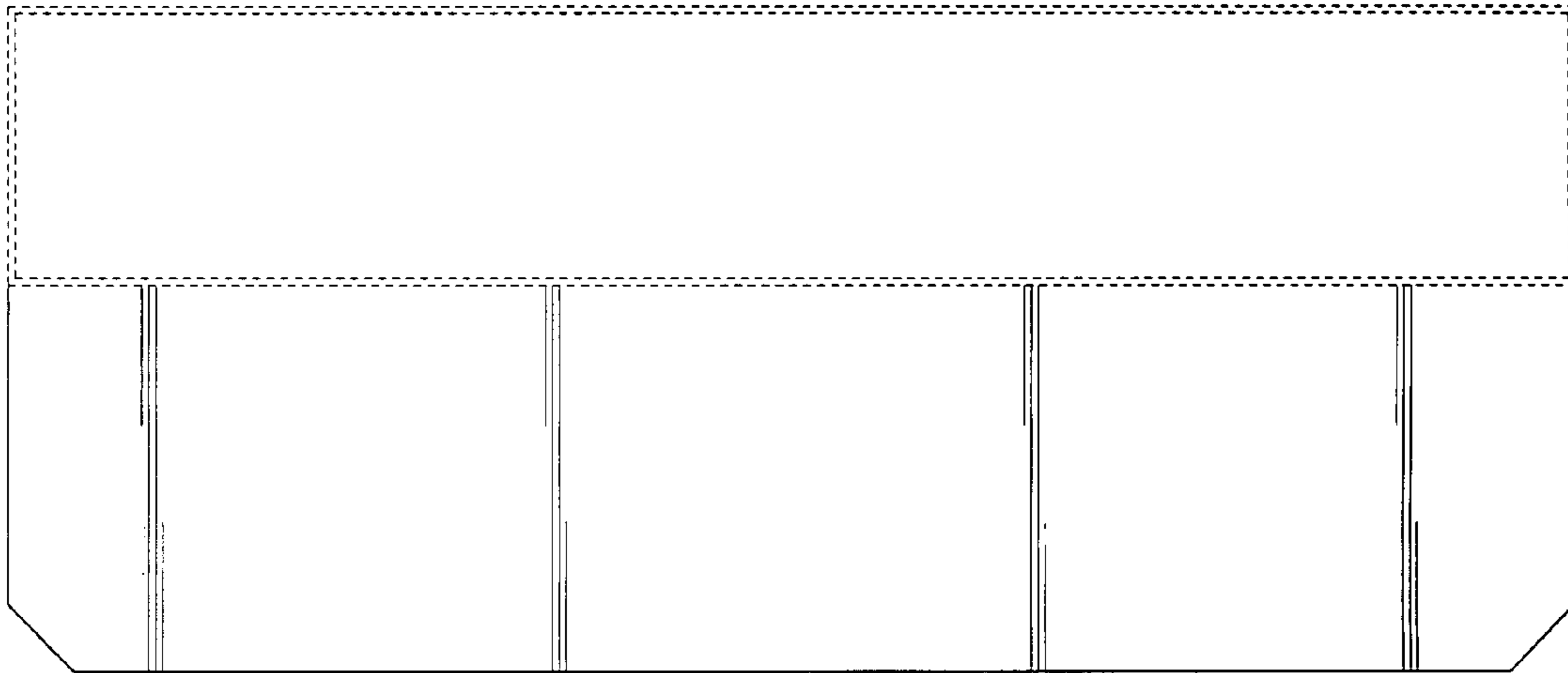


FIG. 6

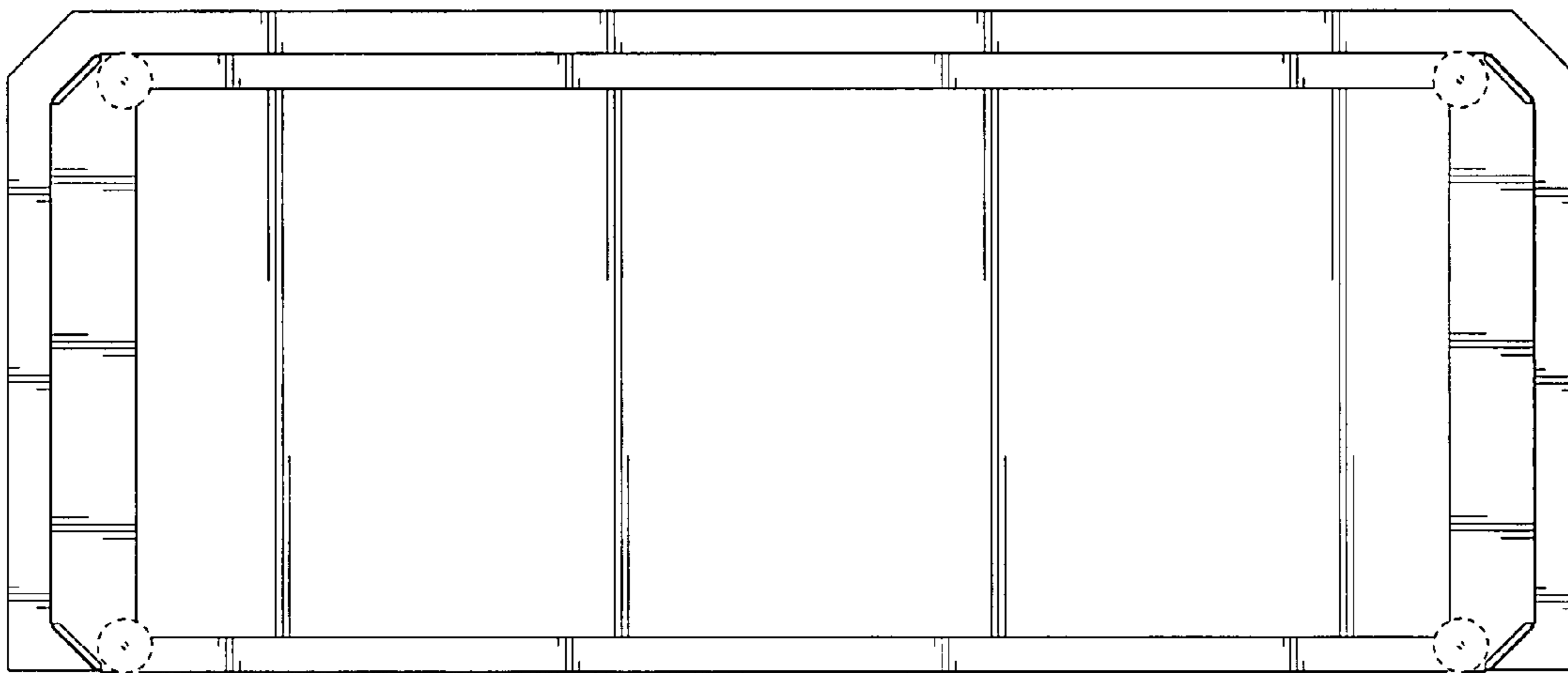


FIG. 7