

US00D570628S

(12) **United States Design Patent**  
**Mehmen**

(10) **Patent No.:** **US D570,628 S**  
(45) **Date of Patent:** **\*\* Jun. 10, 2008**

(54) **WORKBENCH**

(75) Inventor: **Robert Mehmen**, Shell Rock, IA (US)

(73) Assignee: **Waterloo Industries, Inc.**, Waterloo, IA (US)

(\*\*) Term: **14 Years**

(21) Appl. No.: **29/285,630**

(22) Filed: **Apr. 4, 2007**

(51) **LOC (8) Cl.** ..... **06-04**

(52) **U.S. Cl.** ..... **D6/509**

(58) **Field of Classification Search** ..... D6/396-400,  
D6/422-428, 436, 474-489, 495, 509-511;  
D21/522; 108/50.01, 50.02; 248/188, 188.1,  
248/188.8; 312/194-196, 204, 208.1, 208.2,  
312/208.4, 239

See application file for complete search history.

(56) **References Cited**

**U.S. PATENT DOCUMENTS**

|               |         |              |       |           |
|---------------|---------|--------------|-------|-----------|
| D277,019 S *  | 1/1985  | Appel et al. | ..... | D21/522   |
| D278,583 S *  | 4/1985  | Koguma       | ..... | D6/426    |
| D317,092 S *  | 5/1991  | Koguma       | ..... | D6/428    |
| 5,024,167 A * | 6/1991  | Hayward      | ..... | 108/50.02 |
| D379,724 S *  | 6/1997  | Lo           | ..... | D6/436    |
| D394,761 S *  | 6/1998  | Bird et al.  | ..... | D6/428    |
| D415,365 S *  | 10/1999 | Nicklas      | ..... | D6/400    |
| D479,064 S *  | 9/2003  | Goldberg     | ..... | D6/480    |

**OTHER PUBLICATIONS**

Sporty's Tool Shop, Jul. through Oct. 2002, p. 34, Rugged Workbenches.\*

\* cited by examiner

*Primary Examiner*—Caron D. Veynar

*Assistant Examiner*—Ricky Pham

(74) *Attorney, Agent, or Firm*—Calfee, Halter & Griswold LLP

(57) **CLAIM**

The ornamental design for a workbench, as shown and described.

**DESCRIPTION**

FIG. 1 is a perspective view of a workbench of the new design;

FIG. 2 is a front elevational view of the workbench of FIG. 1;

FIG. 3 is a top plan view of the workbench of FIG. 1;

FIG. 4 is a rear elevational view of the workbench of FIG. 1;

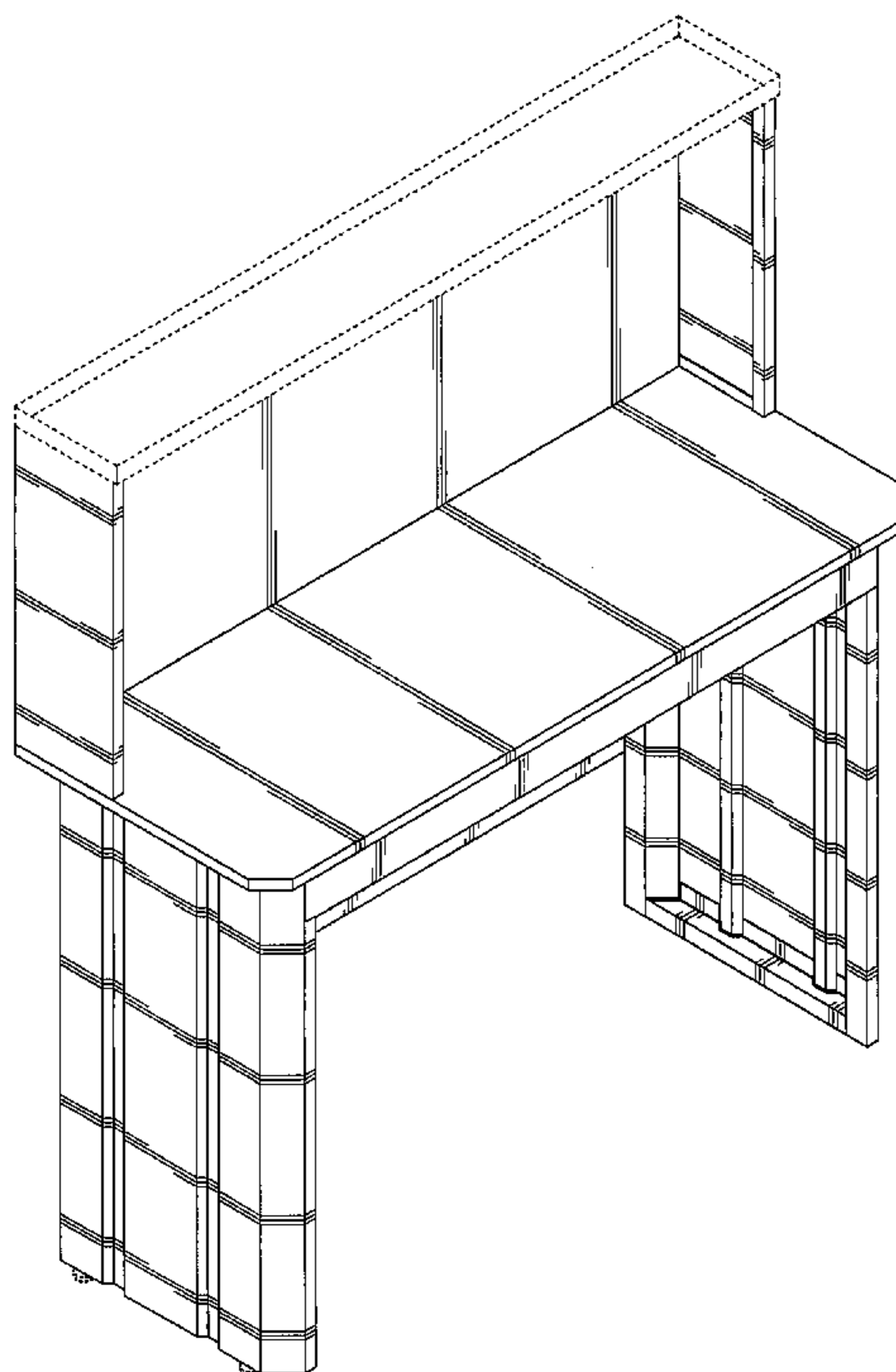
FIG. 5 is a bottom plan view of the workbench of FIG. 1;

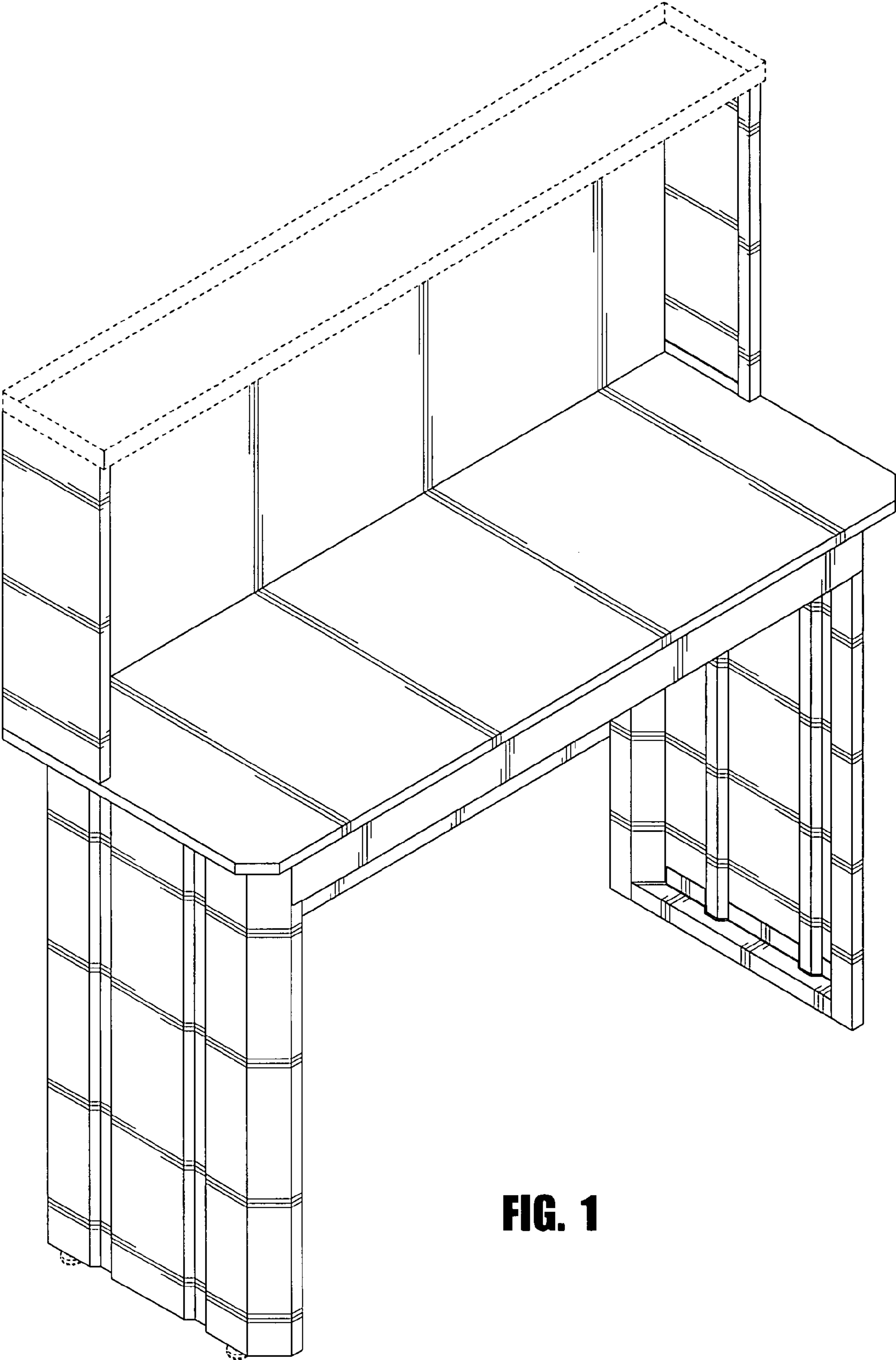
FIG. 6 is a right side elevational view of the workbench of FIG. 1; and,

FIG. 7 is a left side elevational view of the workbench of FIG. 1.

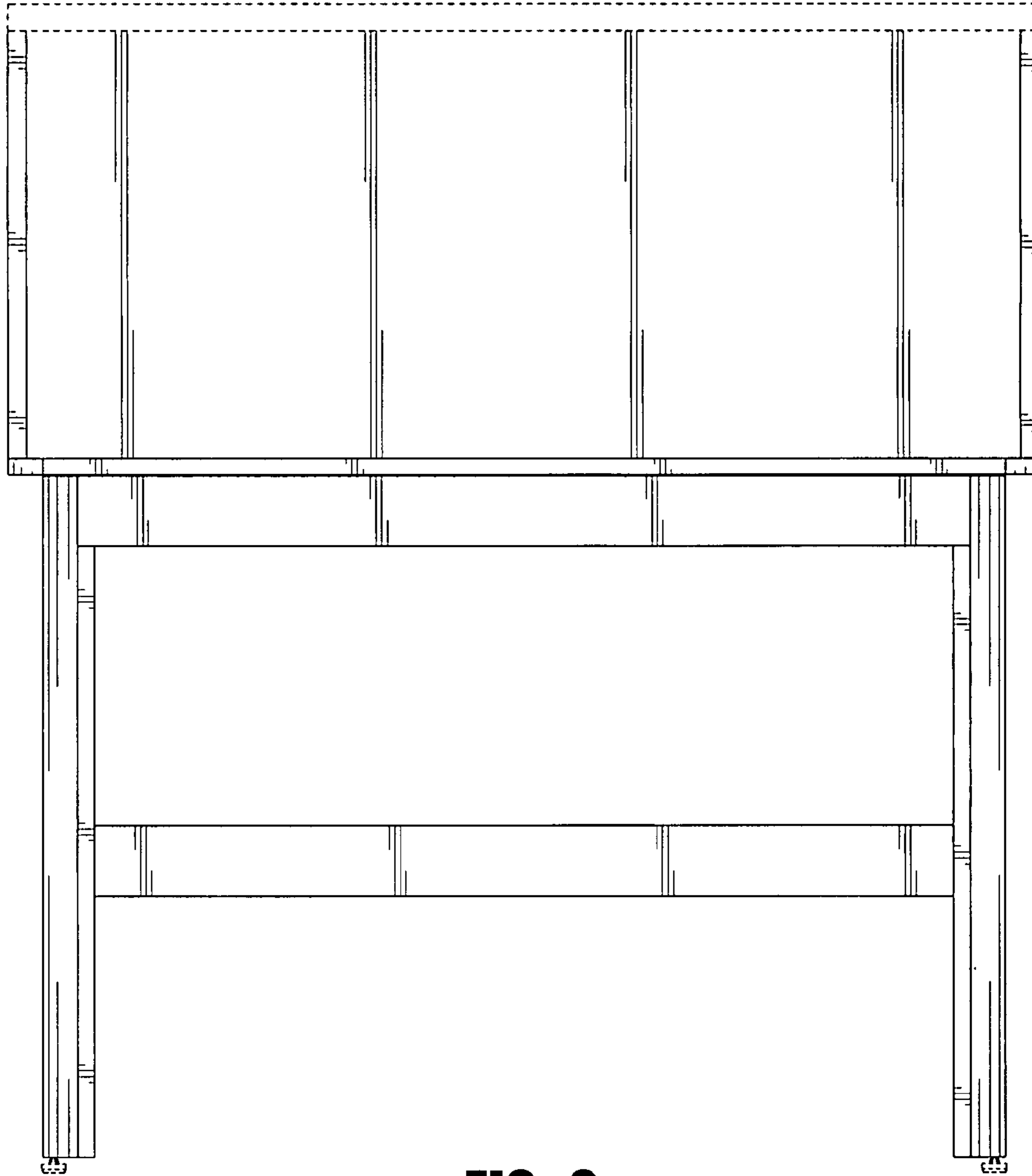
The portions of the Figures shown in broken lines are not part of the claimed design and are for illustration only.

**1 Claim, 4 Drawing Sheets**

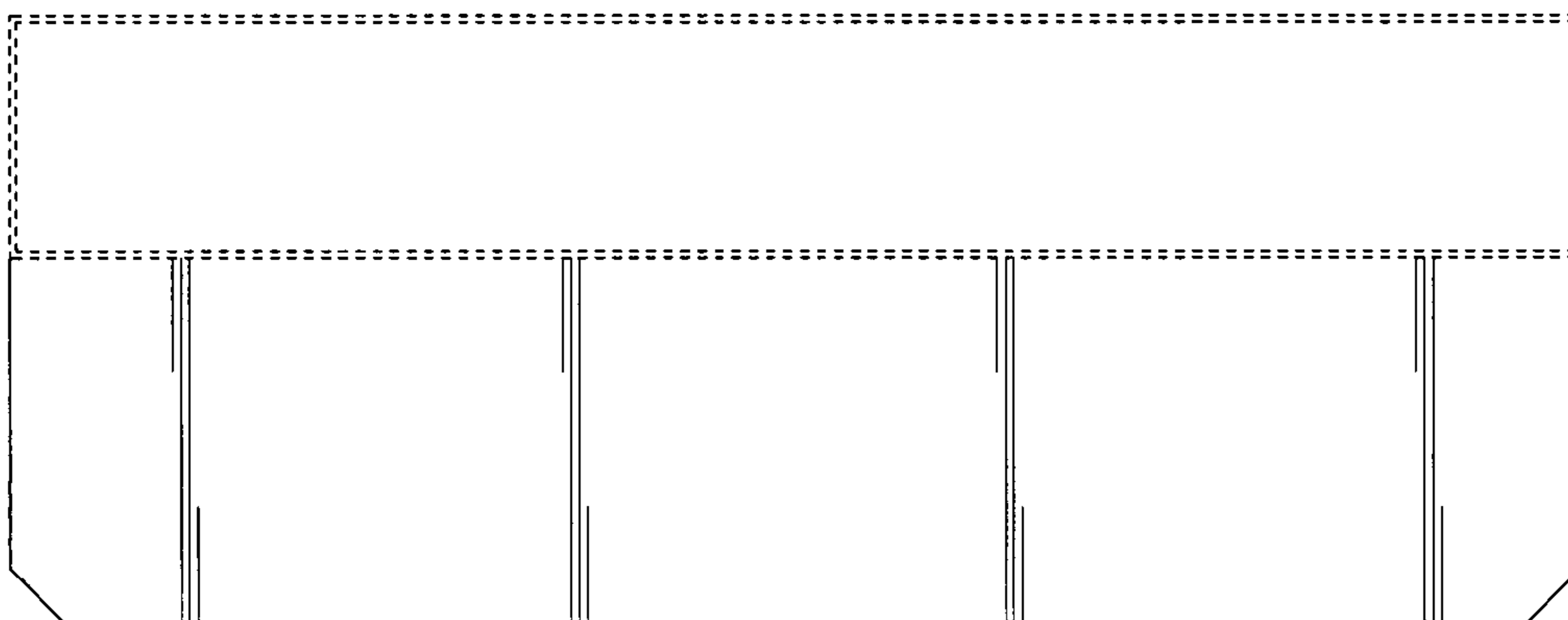




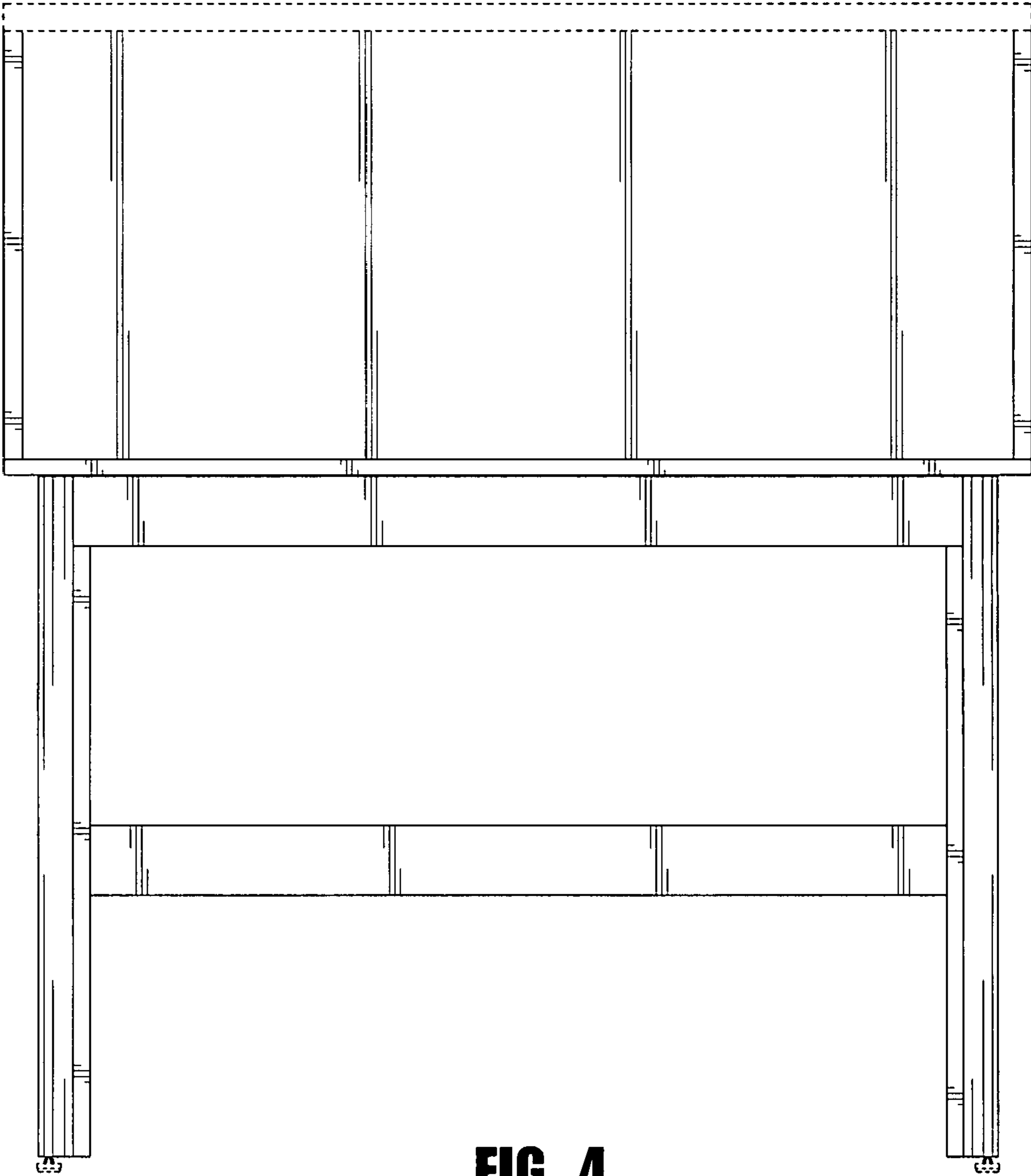
**FIG. 1**



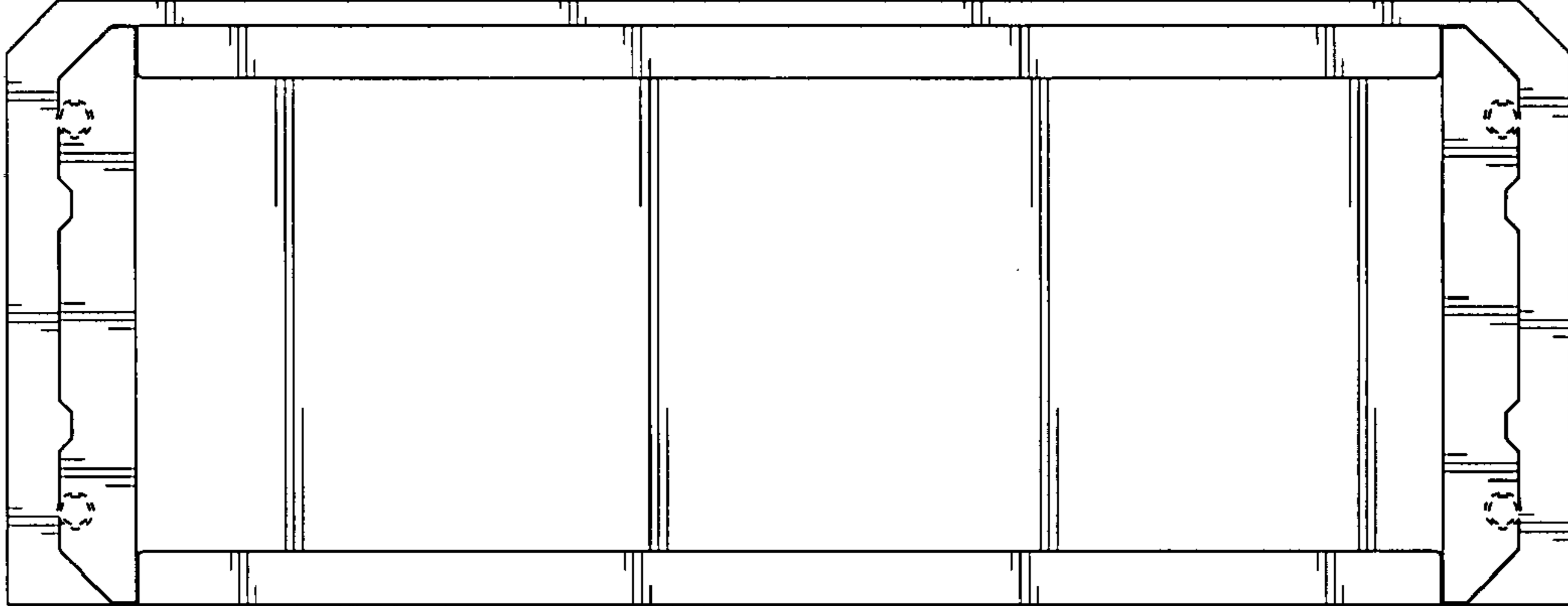
**FIG. 2**



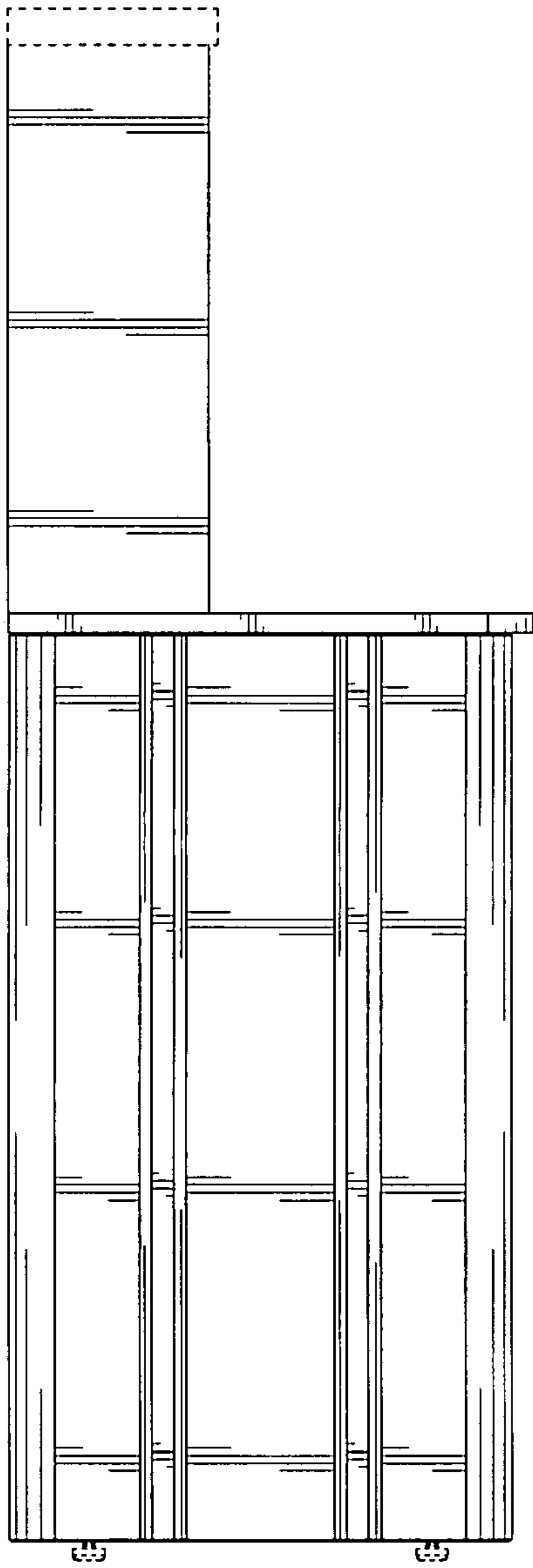
**FIG. 3**



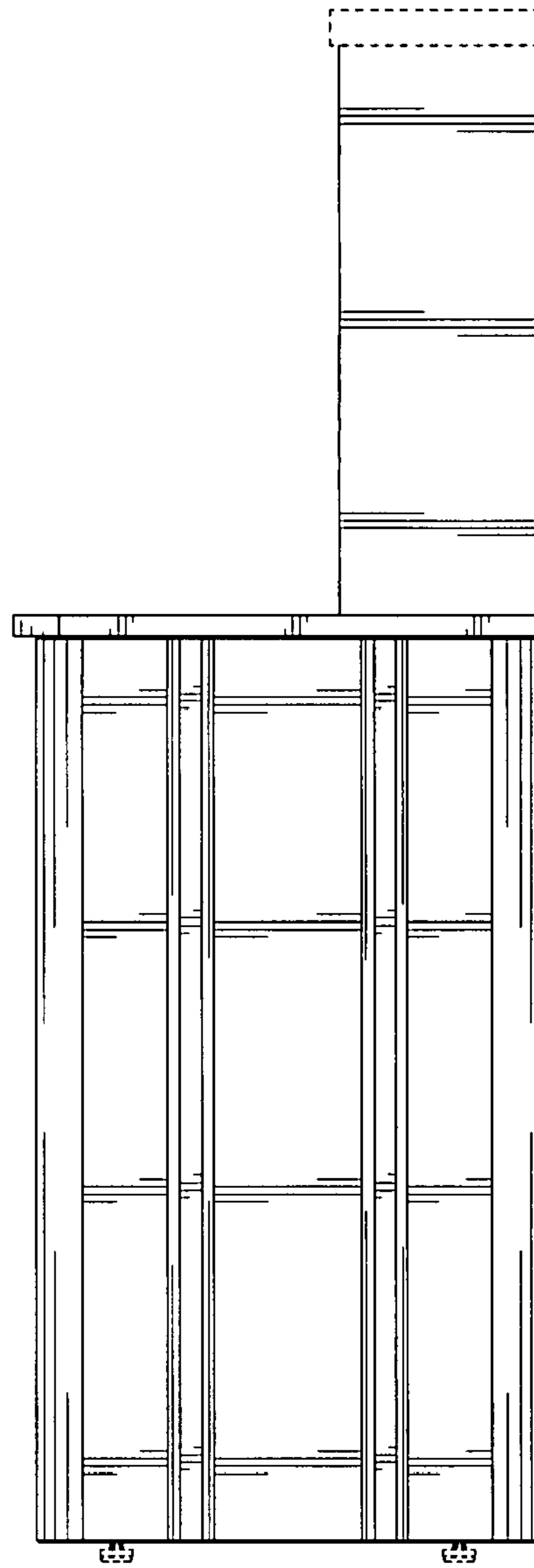
**FIG. 4**



**FIG. 5**



**FIG. 6**



**FIG. 7**