

US00D570621S

(12) **United States Design Patent**
Troutman et al.

(10) **Patent No.:** **US D570,621 S**
(45) **Date of Patent:** **** Jun. 10, 2008**

- (54) **EXPOSED LEGS FOR A PLAY YARD**
- (75) Inventors: **Damon Oliver Casati Troutman**, Lake Forest, IL (US); **Edward B. Bretschger**, Hinsdale, IL (US)
- (73) Assignee: **Kolcraft Enterprises, Inc**, Chicago, IL (US)
- (**) Term: **14 Years**
- (21) Appl. No.: **29/244,886**
- (22) Filed: **Dec. 15, 2005**

3,183,528 A	5/1965	Jacobs et al.
3,187,352 A *	6/1965	Gottlieb 5/99.1
3,233,254 A	2/1966	Golub et al.
3,546,721 A	12/1970	Cleary
3,706,105 A	12/1972	Nicholson
D244,890 S	7/1977	Adams
4,376,318 A	3/1983	Cirillo
4,561,138 A	12/1985	Hwang
4,900,011 A	2/1990	Nolet
5,197,154 A	3/1993	Shamie
5,211,498 A	5/1993	Huang
5,239,714 A	8/1993	Huang
D339,922 S	10/1993	Williams
5,274,863 A	1/1994	Fountain

Related U.S. Application Data

- (62) Division of application No. 29/216,591, filed on Nov. 5, 2004, now Pat. No. Des. 534,381.

(Continued)

- (51) **LOC (8) Cl.** **06-06**
- (52) **U.S. Cl.** **D6/495; D6/503; D6/331**
- (58) **Field of Classification Search** D6/390, D6/391, 331, 333, 508, 383, 384, 503; 5/93.1, 5/93.2, 99.1, 101, 97, 98.1, 655
See application file for complete search history.

Primary Examiner—Janice E Seeger
(74) *Attorney, Agent, or Firm*—Hanley, Flight & Zimmerman, LLC

(57) **CLAIM**

The ornamental design for exposed legs for a play yard, as shown and described.

(56) **References Cited**

U.S. PATENT DOCUMENTS

1,695,571 A	12/1928	Baxter
1,839,580 A	1/1932	Myron
1,975,332 A	10/1934	Rehkoff
2,287,907 A	6/1942	Schettler, Jr.
D158,030 S	4/1950	Wagner
2,617,999 A	11/1952	Mitchell
2,698,443 A	1/1955	Ralick
2,784,420 A	3/1957	Moltane
2,873,458 A	2/1959	Adamson
3,018,493 A	1/1962	Wittbrodt
RE25,195 E	7/1962	Hamilton
3,064,277 A	11/1962	Gill
3,092,847 A	6/1963	Puy
3,095,583 A	7/1963	Golub et al.
3,103,670 A	9/1963	Landry
3,158,876 A	12/1964	Gottlieb
3,162,865 A *	12/1964	Tigrett 5/99.1

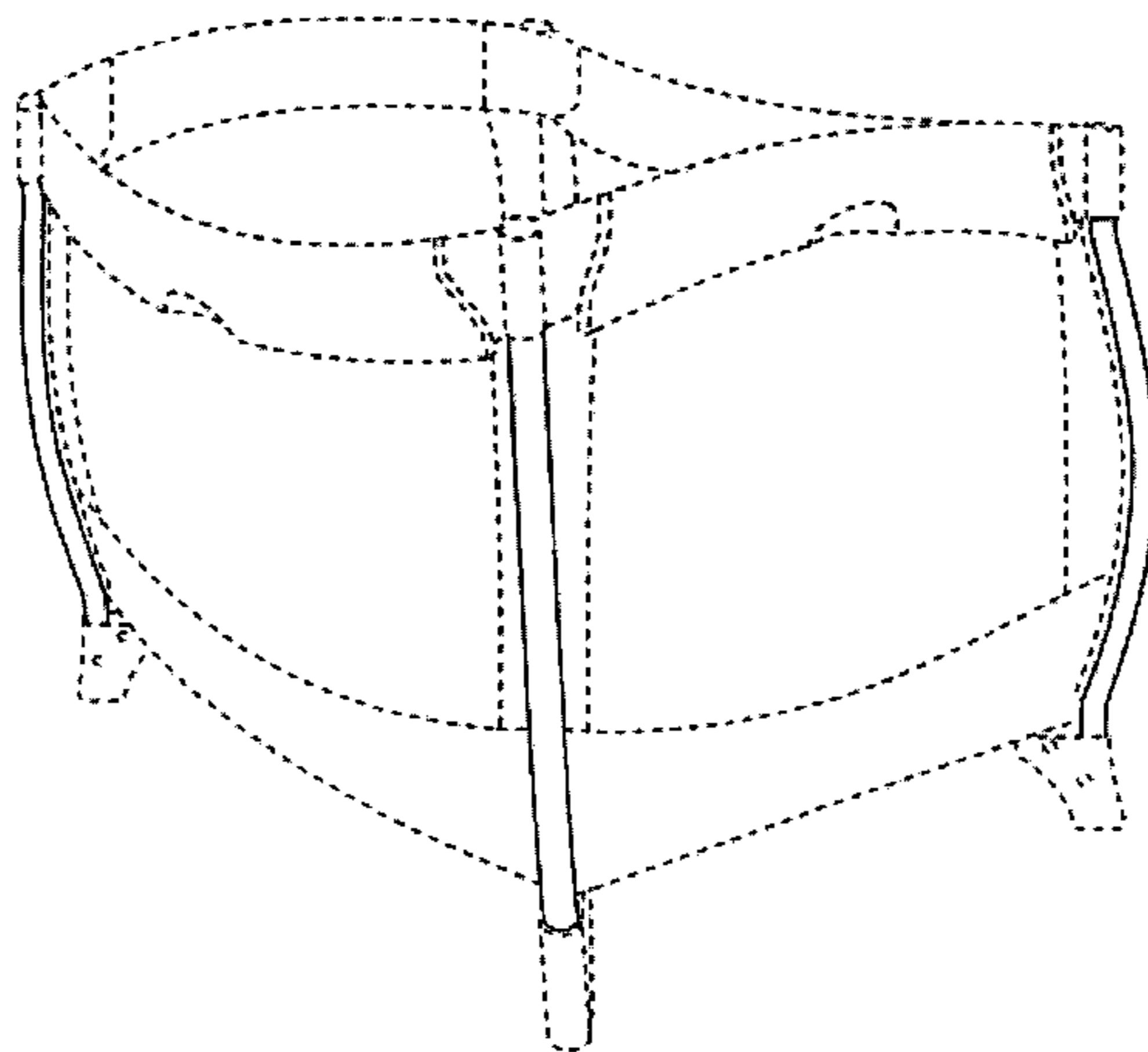
DESCRIPTION

FIG. 1 is a perspective view of exposed legs for a play yard.
 FIG. 2 is a right side view of the design of FIG. 1.
 FIG. 3 is a left side view of the design of FIG. 1.
 FIG. 4 is a front view of the design of FIG. 1.
 FIG. 5 is a rear view of the design of FIG. 1; and,
 FIG. 6 is a top view of the design of FIG. 1.

There is no fabric covering the exposed legs shown in any of FIGS. 1–6.

The features shown in broken lines are for illustrative purposes only and do not form part of the claimed design.

1 Claim, 4 Drawing Sheets



US D570,621 S

Page 2

U.S. PATENT DOCUMENTS					
			D448,218 S *	9/2001	Celestina-Krevh D6/495
5,279,006 A	1/1994	Teng	6,332,231 B1	12/2001	Wang
5,307,531 A	5/1994	Kao	6,385,800 B1	5/2002	Chen et al.
5,339,470 A	8/1994	Shamie	6,434,767 B1	8/2002	Welsh
5,349,709 A	9/1994	Cheng	6,543,070 B2	4/2003	Longenecker et al.
5,367,725 A	11/1994	Tsai	6,615,424 B1	9/2003	Cheng
5,381,570 A	1/1995	Cheng	6,665,895 B1	12/2003	St. Pierre et al.
5,504,951 A	4/1996	Yeh	6,721,971 B1	4/2004	Cheng
5,513,399 A	5/1996	Weng	D494,393 S	8/2004	Chen
5,553,336 A	9/1996	Mariol	D500,213 S	12/2004	DeHart et al.
5,560,055 A	10/1996	Ziegler	6,859,957 B1 *	3/2005	Chen 5/93.1
5,581,827 A	12/1996	Fong et al.	6,895,611 B2	5/2005	Tharalson et al.
5,615,427 A	4/1997	Huang	6,948,197 B1	9/2005	Chen
D382,718 S	8/1997	Mariol	6,954,949 B1 *	10/2005	Chen 5/93.1
5,761,755 A	6/1998	Huang	6,959,462 B2	11/2005	Chen
5,778,465 A	7/1998	Myers	7,003,821 B2	2/2006	DeHart et al.
D397,882 S	9/1998	Wu	7,020,914 B2	4/2006	Miyakawa
5,826,285 A	10/1998	Mariol et al.	7,043,779 B2	5/2006	Mendenhall et al.
5,867,850 A	2/1999	Mariol	2003/0177575 A1	9/2003	Cheng et al.
5,867,851 A	2/1999	Mariol et al.	2004/0261174 A1 *	12/2004	DeHart et al. 5/93.1
D409,411 S	5/1999	Mariol et al.	2005/0144716 A1	7/2005	Chen
D413,025 S	8/1999	Mariol et al.	2005/0144717 A1	7/2005	Chen
5,991,944 A	11/1999	Yang	2005/0144718 A1	7/2005	Miyakawa
6,173,462 B1	1/2001	Huang	2005/0229308 A1 *	10/2005	Chen 5/93.1
6,192,535 B1	2/2001	Warner, Jr. et al.	2006/0037137 A1	2/2006	Song
6,233,759 B1	5/2001	Warner	2006/0225207 A1	10/2006	Johnson
6,256,814 B1	7/2001	Drobinski			

* cited by examiner

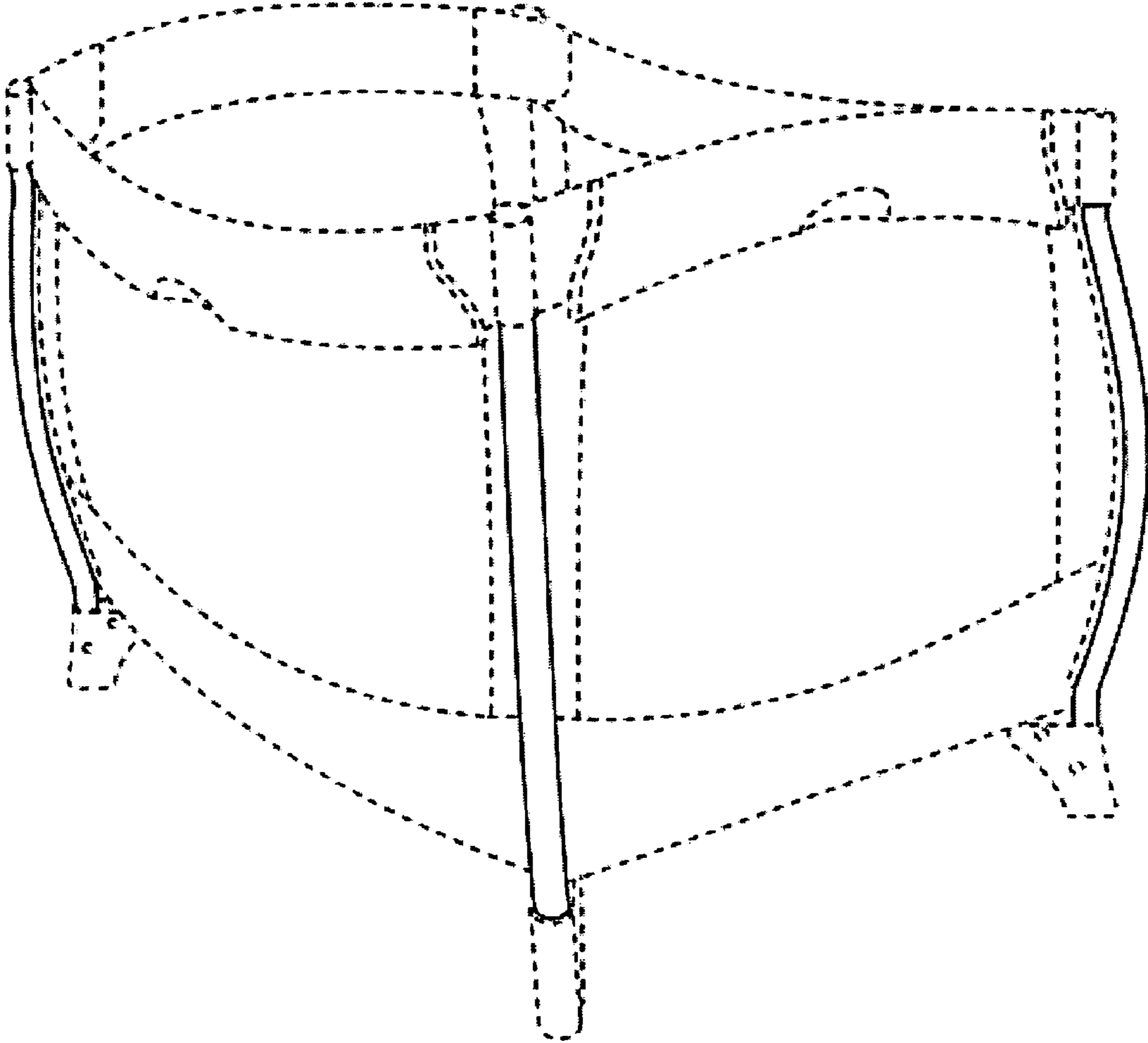


FIG. 1

Fig. 2

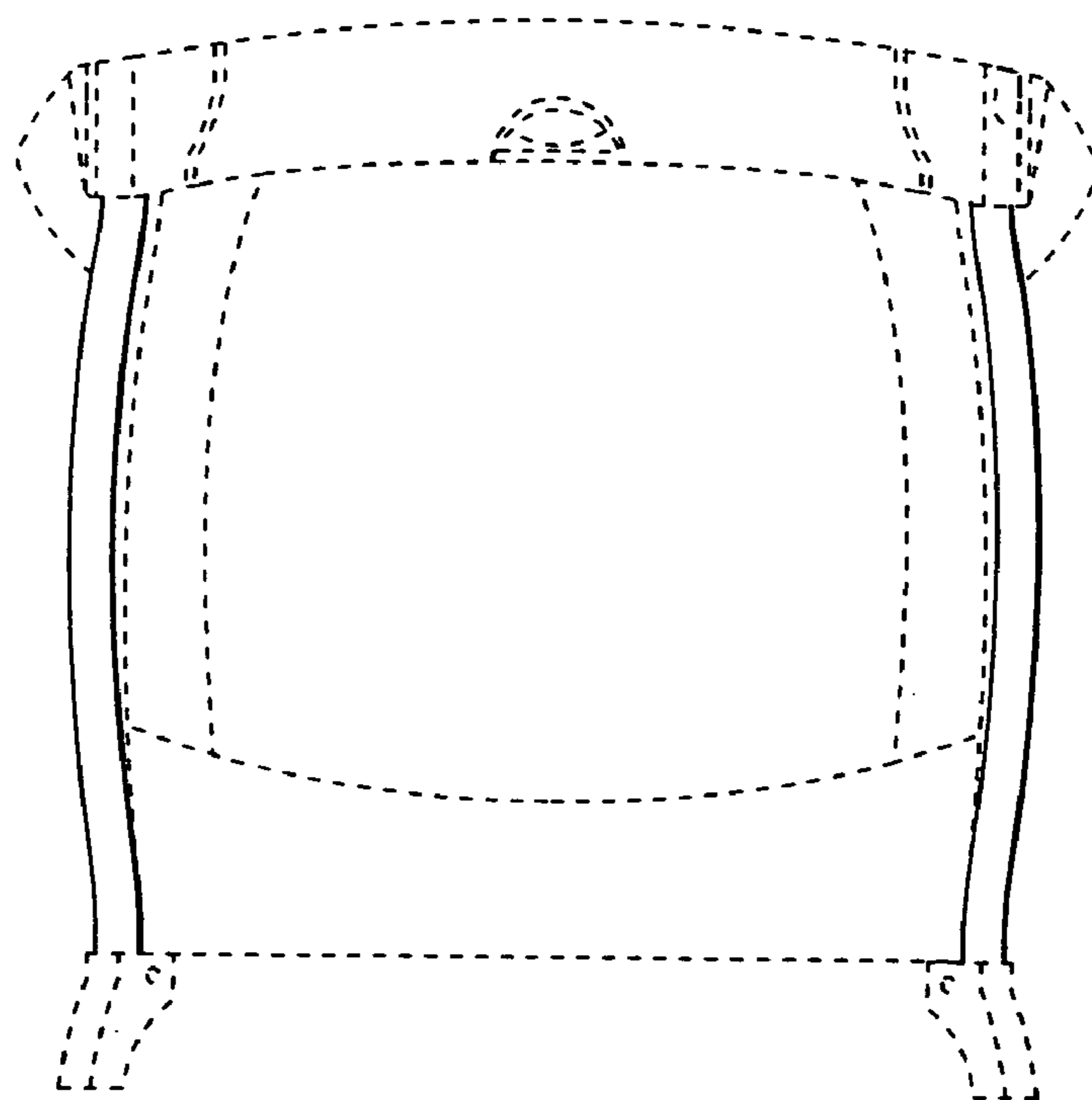


Fig. 3

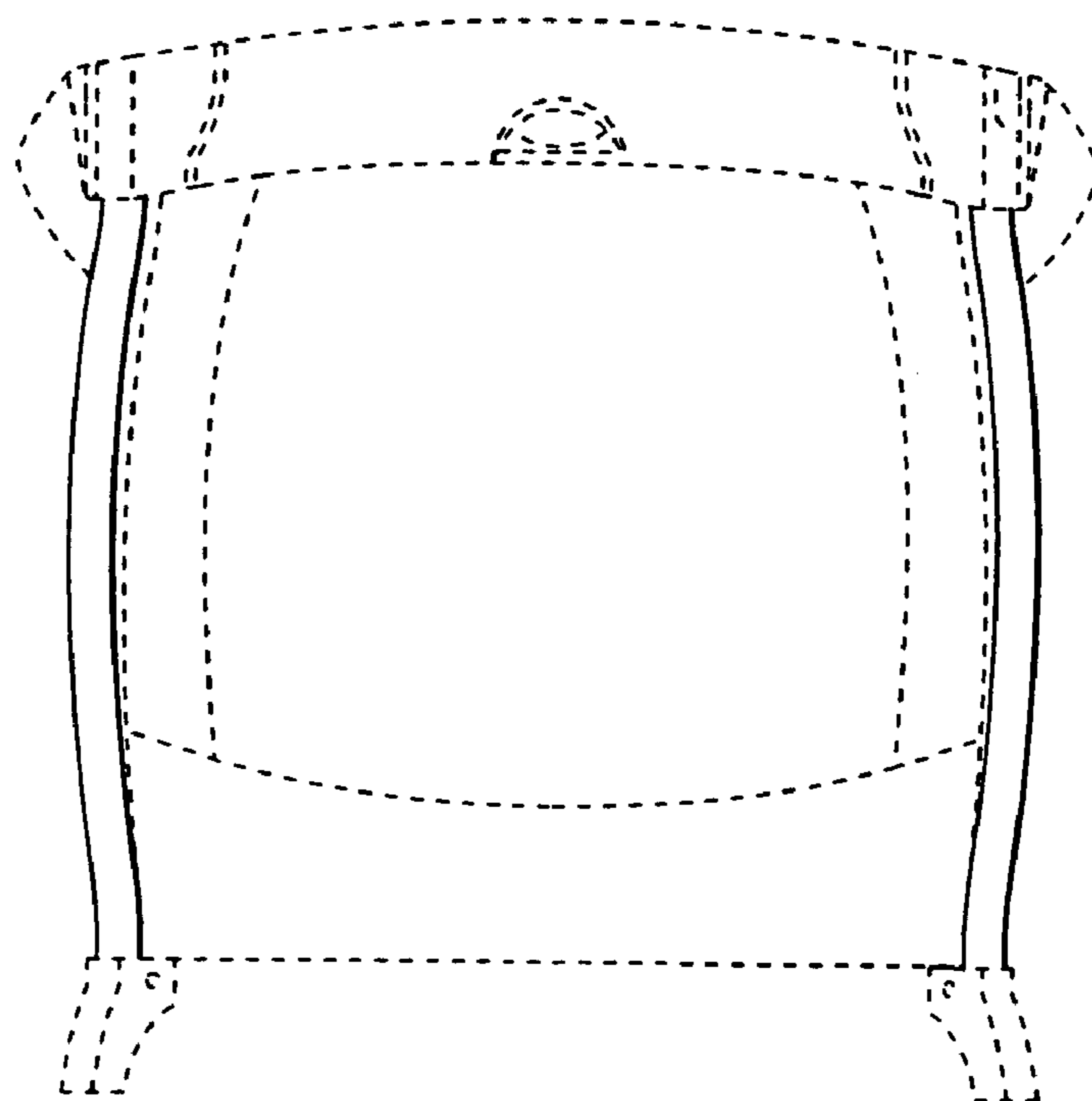


Fig. 4

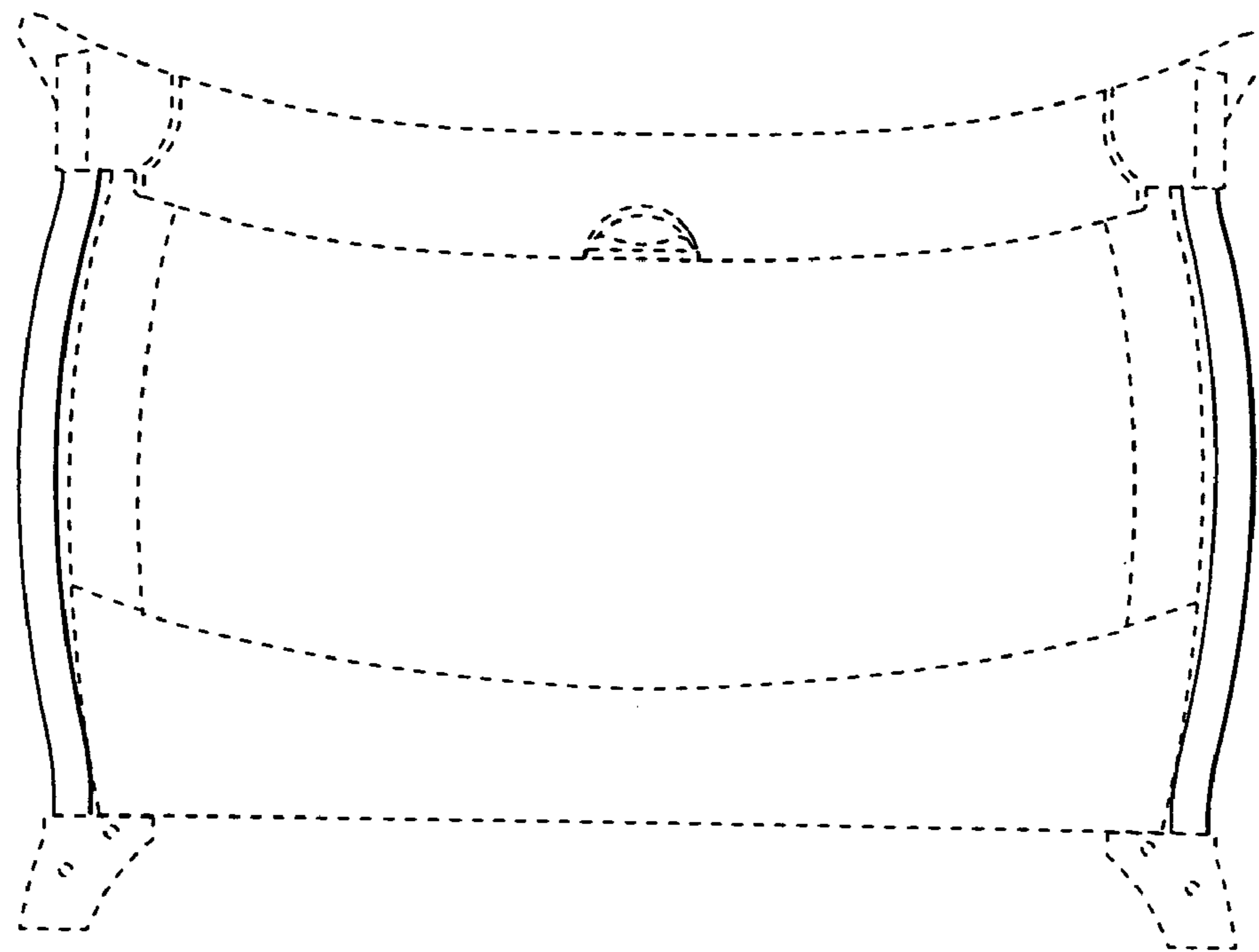
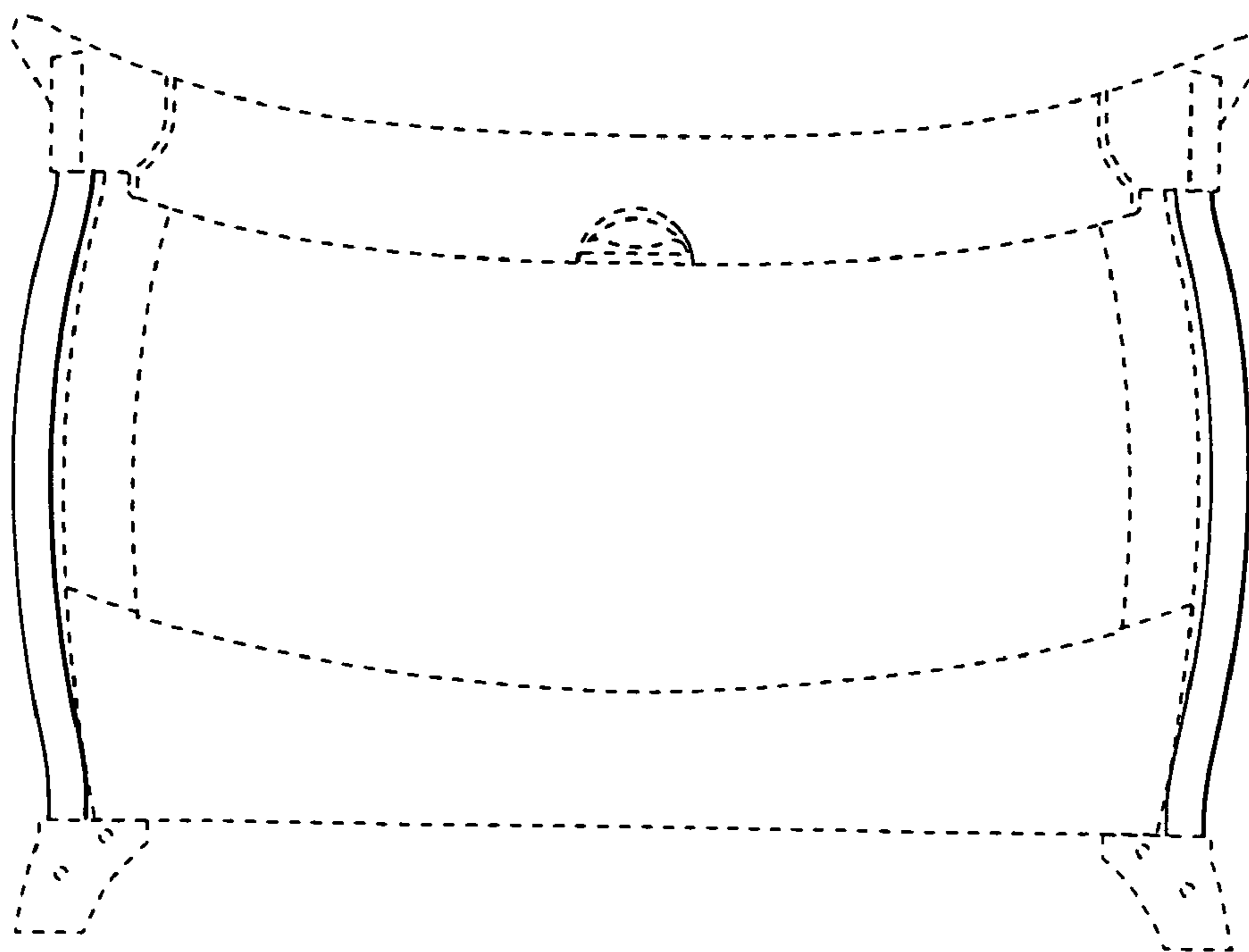


Fig. 5



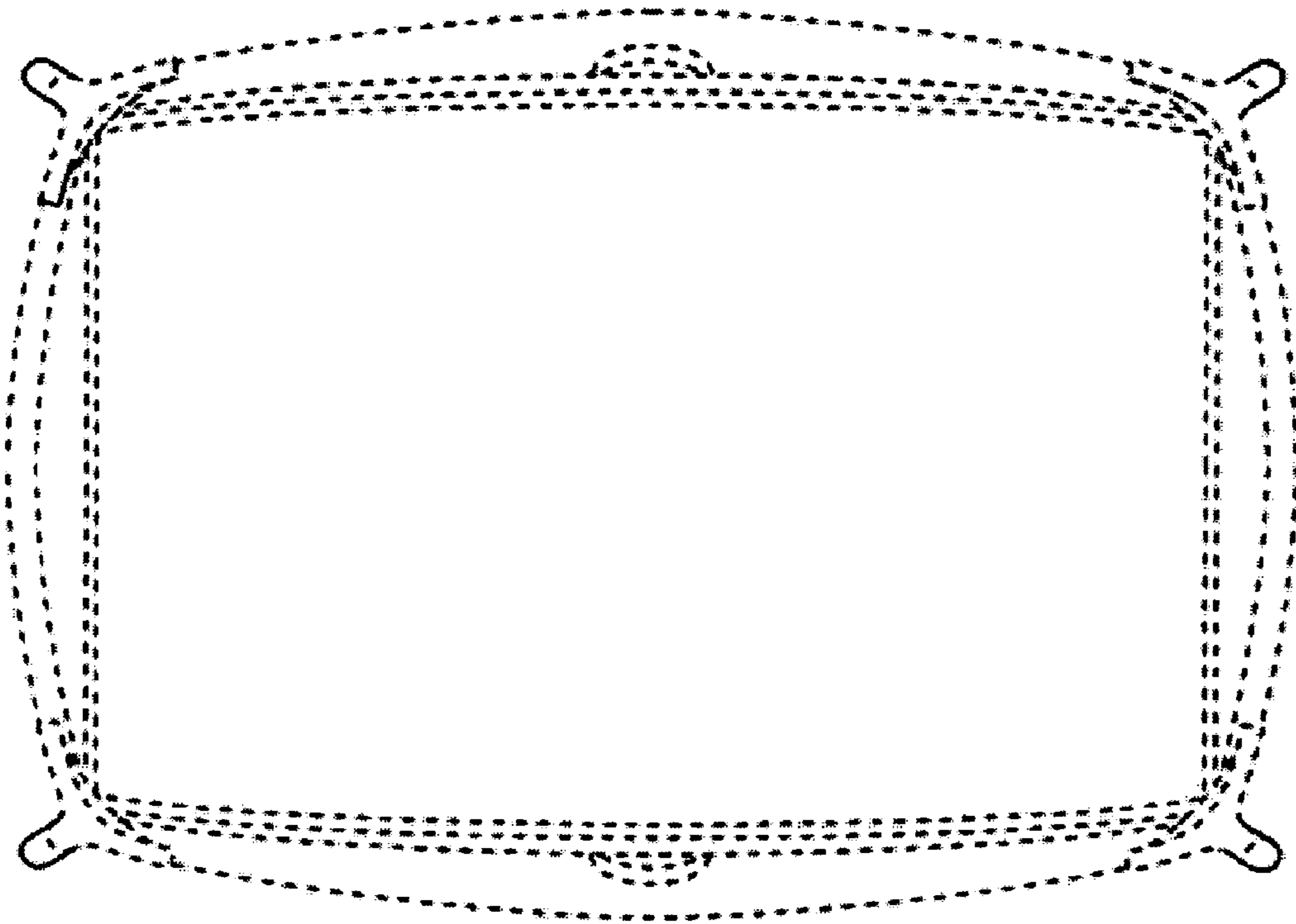


FIG. 6