



US00D570620S

(12) **United States Design Patent**
Öngör

(10) **Patent No.:** **US D570,620 S**

(45) **Date of Patent:** **** Jun. 10, 2008**

(54) **TELEVISION STAND**

(75) Inventor: **Murat Öngör**, Istanbul (TR)

(73) Assignee: **Atil Elektronik ses ve Goruntu Sistemleri ve Gida Urunleri Sanayi ve Ticaret Limited Sirketi**, Istanbul (TR)

(**) Term: **14 Years**

(21) Appl. No.: **29/295,508**

(22) Filed: **Sep. 28, 2007**

Related U.S. Application Data

(63) Continuation-in-part of application No. 29/275,739, filed on Jan. 4, 2007.

(51) **LOC (8) Cl.** **06-04**

(52) **U.S. Cl.** **D6/479**

(58) **Field of Classification Search** D16/474, D16/477-479, 460-461, 426, 468; 312/9.1; 108/59, 91, 92, 96; 211/40, 41.12, 42, 50, 211/85.2, 90.04, 187, 190
See application file for complete search history.

(56) **References Cited**

U.S. PATENT DOCUMENTS

D474,047 S * 5/2003 Lara D6/479

D507,900 S * 8/2005 Sexton D6/474

D537,658 S * 3/2007 Tung D6/479

D539,565 S * 4/2007 Sexton, III D6/474

D539,566 S * 4/2007 Anderson D6/474

* cited by examiner

Primary Examiner—Elizabeth A. Albert

Assistant Examiner—Kelley A Donnelly

(74) *Attorney, Agent, or Firm*—Egbert Law Offices

(57) **CLAIM**

The ornamental design for a television stand, as shown and described.

DESCRIPTION

FIG. 1 is a perspective view of the television stand showing my design.

FIG. 2 is a front view thereof;

FIG. 3 is a back view thereof;

FIG. 4 is a side view thereof, an opposite side view being a mirror image thereof;

FIG. 5 is a top plan view thereof; and,

FIG. 6 is a bottom view thereof.

1 Claim, 3 Drawing Sheets

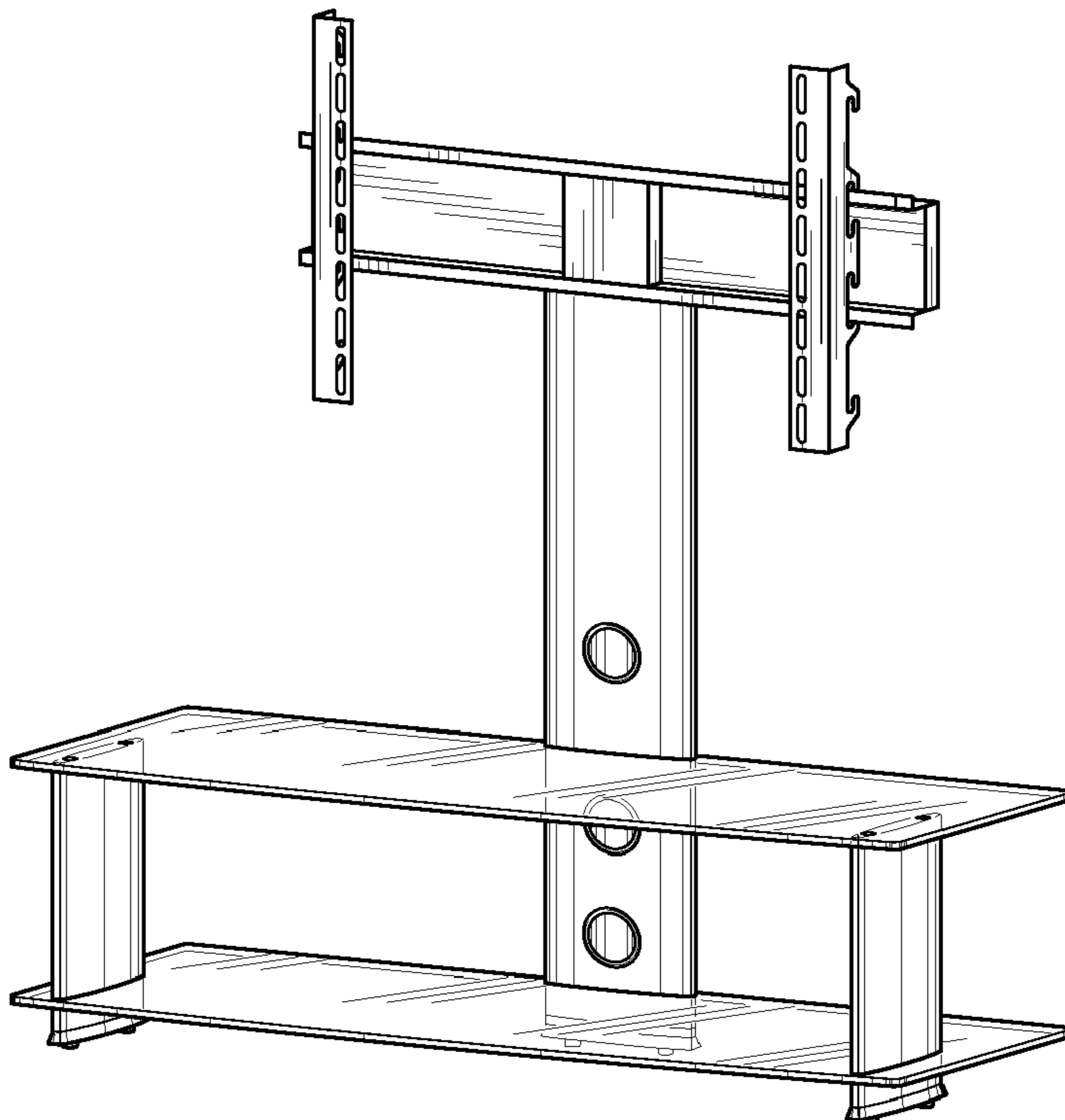


FIG. 1

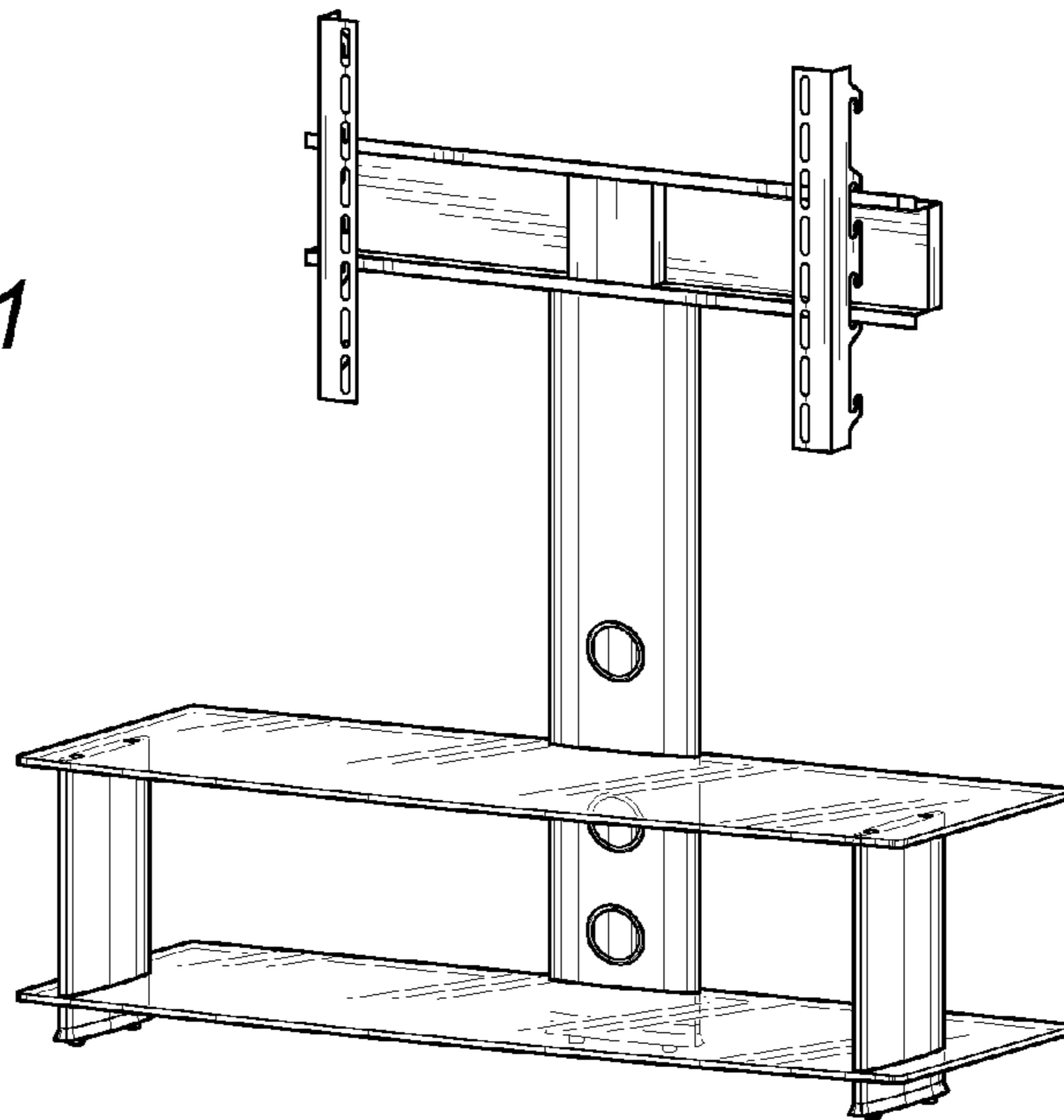
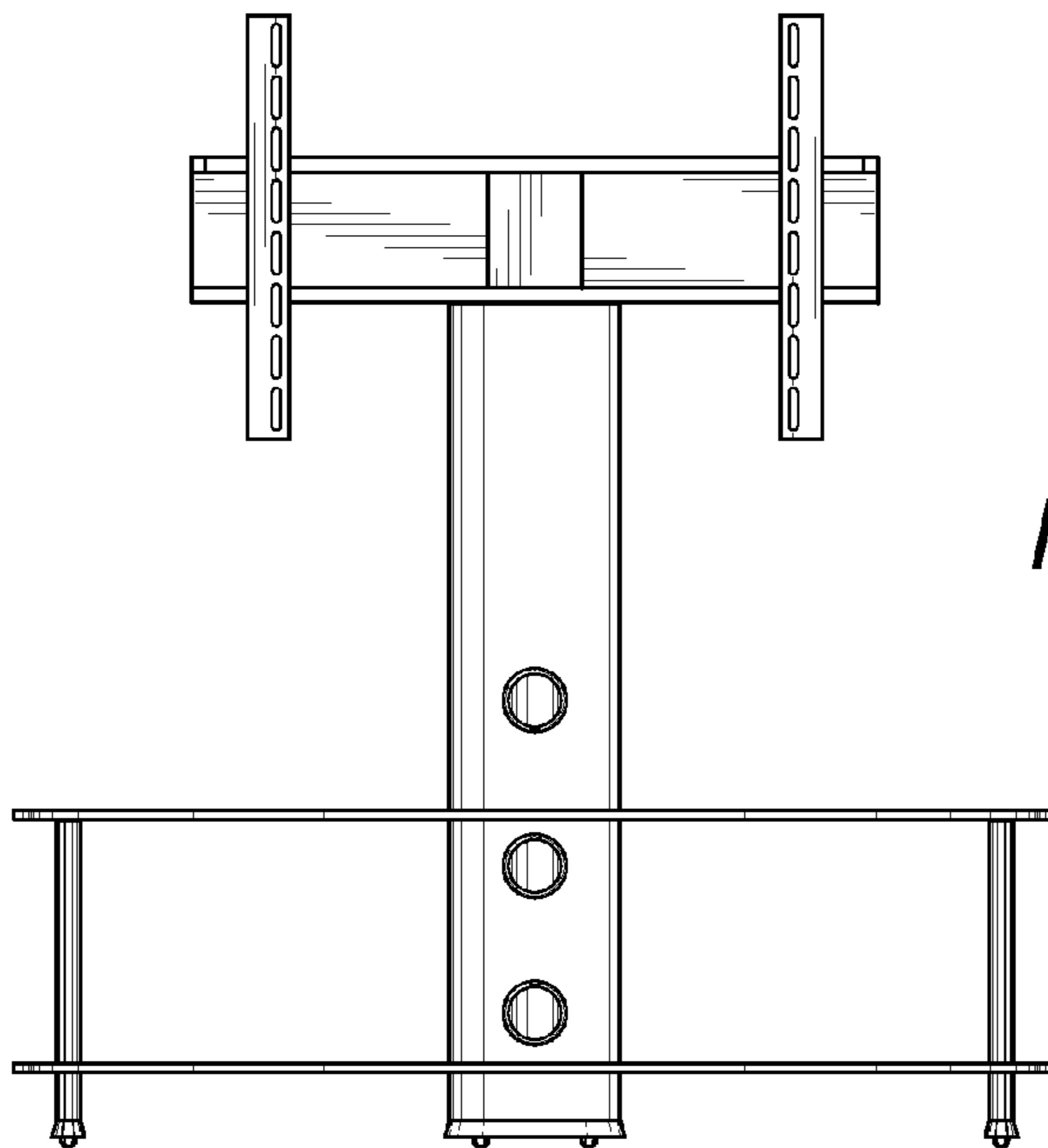


FIG. 2



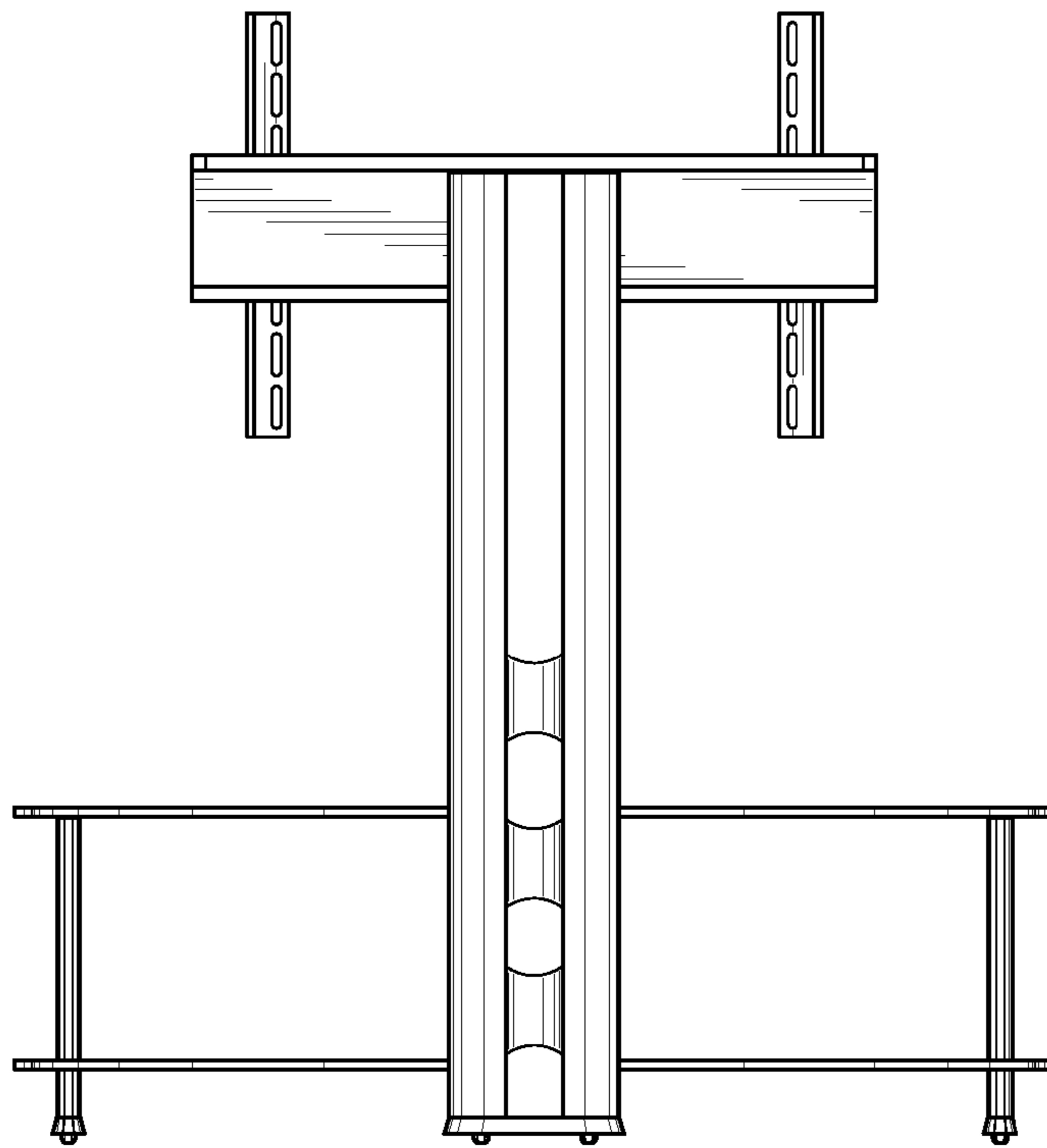


FIG. 3

FIG. 4



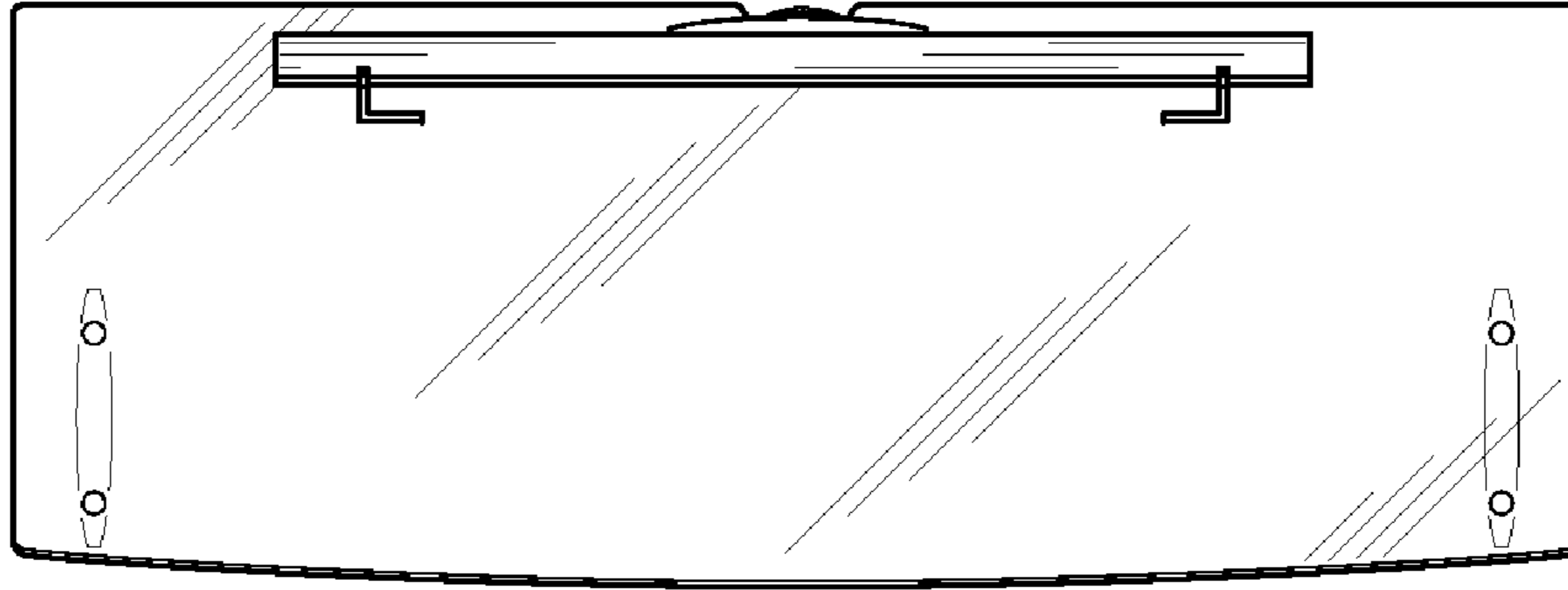


FIG. 5

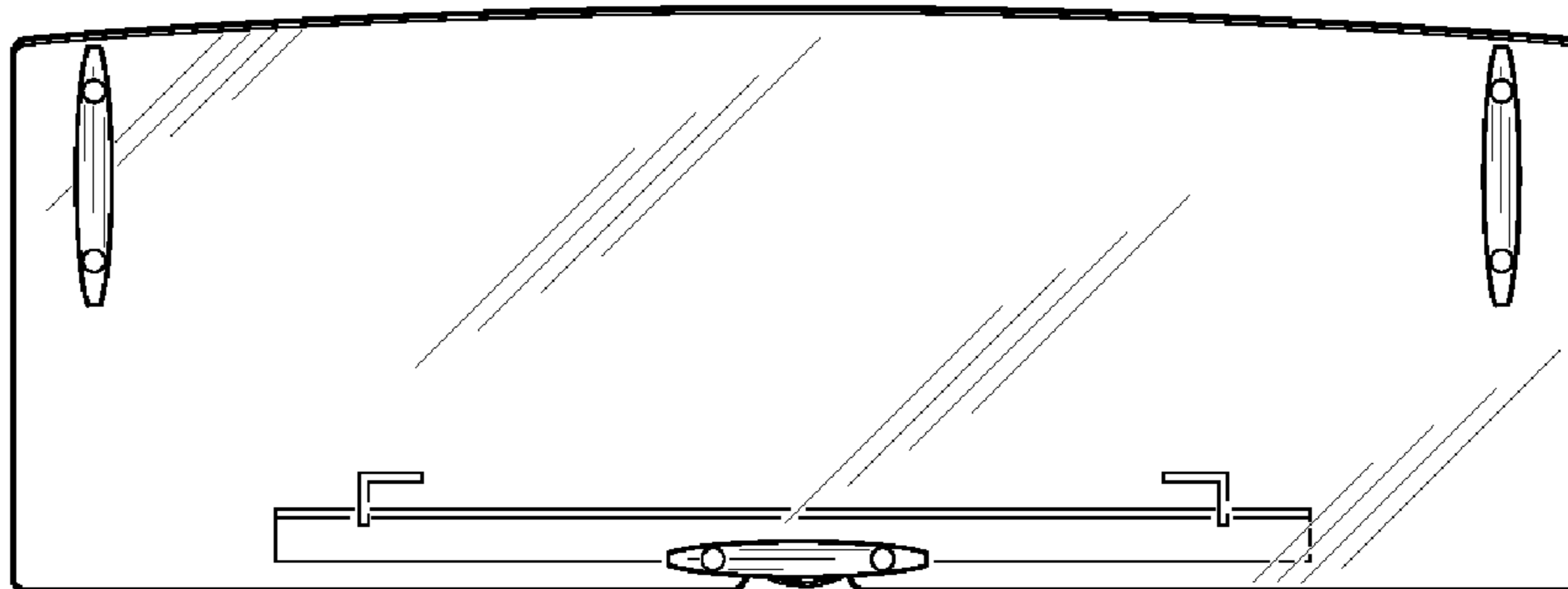


FIG. 6