

US00D570615S

(12) **United States Design Patent**  
**Harrison**

(10) **Patent No.:** **US D570,615 S**  
(45) **Date of Patent:** **\*\* Jun. 10, 2008**

(54) **DOUBLE LOUNGE CABANA**

(76) Inventor: **James Harrison**, 3700 Galt Ocean Dr.,  
#1201, Fort Lauderdale, FL (US) 33336

(\*\*) Term: **14 Years**

(21) Appl. No.: **29/250,269**

(22) Filed: **Nov. 8, 2006**

(51) **LOC (8) Cl.** ..... **06-01**

(52) **U.S. Cl.** ..... **D6/335**

(58) **Field of Classification Search** ..... D6/334–338,  
D6/349, 355, 363, 364, 368–370, 381, 491,  
D6/500–502, 509, 511, 601, 358, 353; 297/16.1–16.2,  
297/116, 135, 154, 187, 158.3, 158.4, 158.5,  
297/184.1, 232, 244, 411.37, 440.1, 445.1,  
297/184.14, 184.15, 184.17; 5/12.1, 655.3

See application file for complete search history.

(56) **References Cited**

**U.S. PATENT DOCUMENTS**

935,369	A *	9/1909	Jordalen	.....	296/125
1,201,305	A *	10/1916	Jones	.....	5/122
D56,367	S *	10/1920	Leijen	.....	D6/335
D82,605	S *	11/1930	Goodman	.....	D6/335
D90,866	S *	10/1933	Bielecky	.....	D6/335
D95,671	S *	5/1935	Frankl	.....	D6/335
3,784,250	A *	1/1974	Beeman	.....	297/184.1
4,915,120	A *	4/1990	Ziolkowski	.....	135/90
5,015,032	A *	5/1991	Felling	.....	297/184.15
5,069,504	A *	12/1991	Felling	.....	297/184.15
5,092,653	A *	3/1992	Felling	.....	297/184.15
D329,150	S *	9/1992	Ball	.....	D6/397
5,171,059	A *	12/1992	Patrick	.....	297/184.14

5,368,359	A *	11/1994	Eakin	.....	297/217.4
5,564,784	A *	10/1996	Felling	.....	297/344.23
D378,171	S *	2/1997	Liu	.....	D6/368
D426,077	S *	6/2000	Streit	.....	D6/335
D461,648	S *	8/2002	Mazzola	.....	D6/335
6,644,736	B2 *	11/2003	Nguyen et al.	.....	297/184.17
2003/0085597	A1 *	5/2003	Ludeke et al.	.....	297/184.14
2003/0146654	A1 *	8/2003	Nguyen et al.	.....	297/463.2

\* cited by examiner

*Primary Examiner*—Sandra Snapp

(74) *Attorney, Agent, or Firm*—Robert M. Schwartz; David W. Barman

(57) **CLAIM**

The ornamental design for a double lounge cabana, as shown and described.

**DESCRIPTION**

FIG. 1 is a side view of the present invention

FIG. 2 is a top view of the present invention.

FIG. 3 is a bottom view of the present invention.

FIG. 4 is a side view of the present invention.

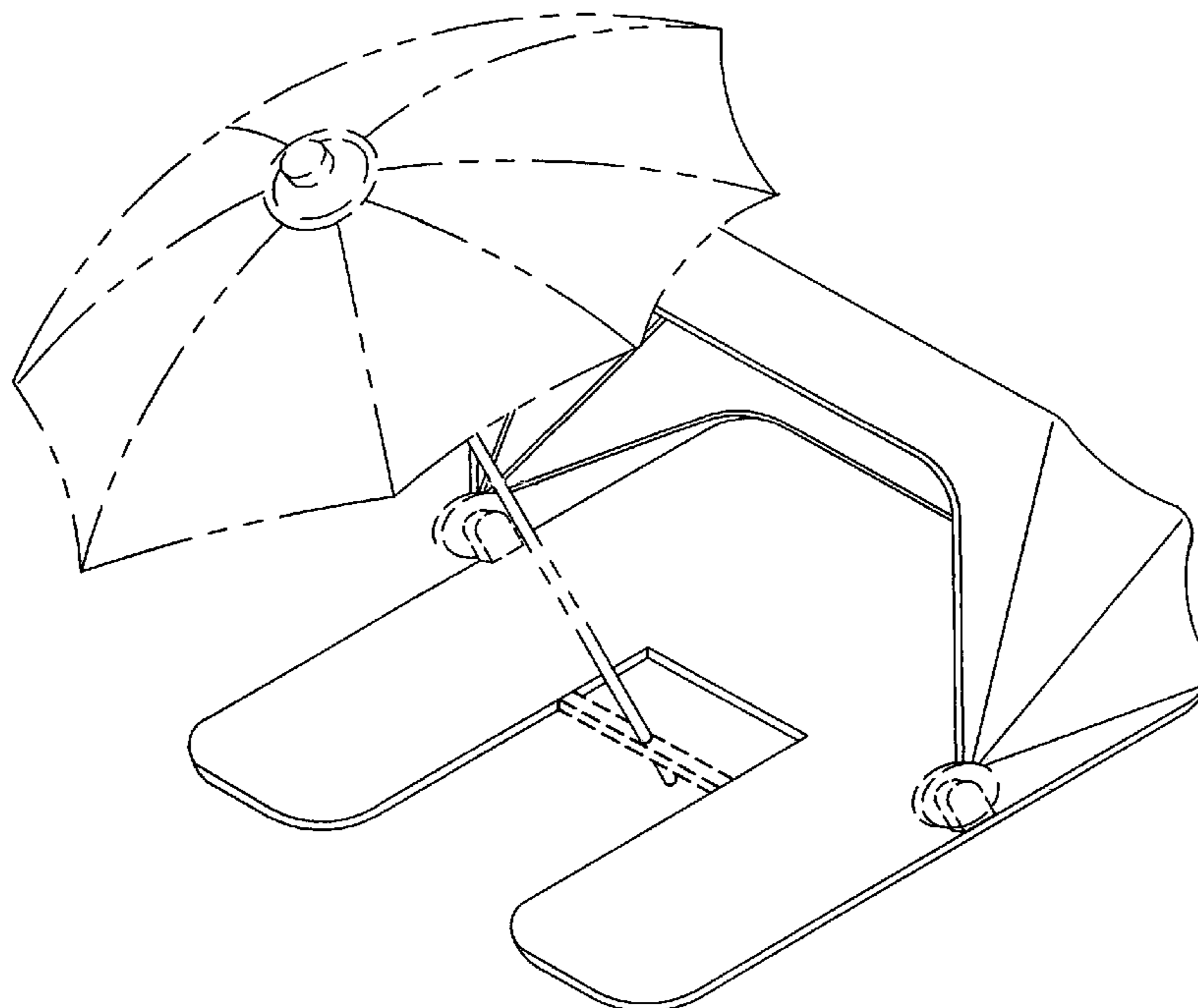
FIG. 5 is a front view of the present invention.

FIG. 6 is a back view of the present invention; and,

FIG. 7 is a side perspective view of the cabana.

All broken lines on the Figures form no part of the claimed invention. Broken lines include dotted lines, such as those on the deck surface of the cabana, dashed lines, such as the frame, and dot-dot-dashed lines such as the umbrella, which are present only to demonstrate an environment of use.

**1 Claim, 7 Drawing Sheets**



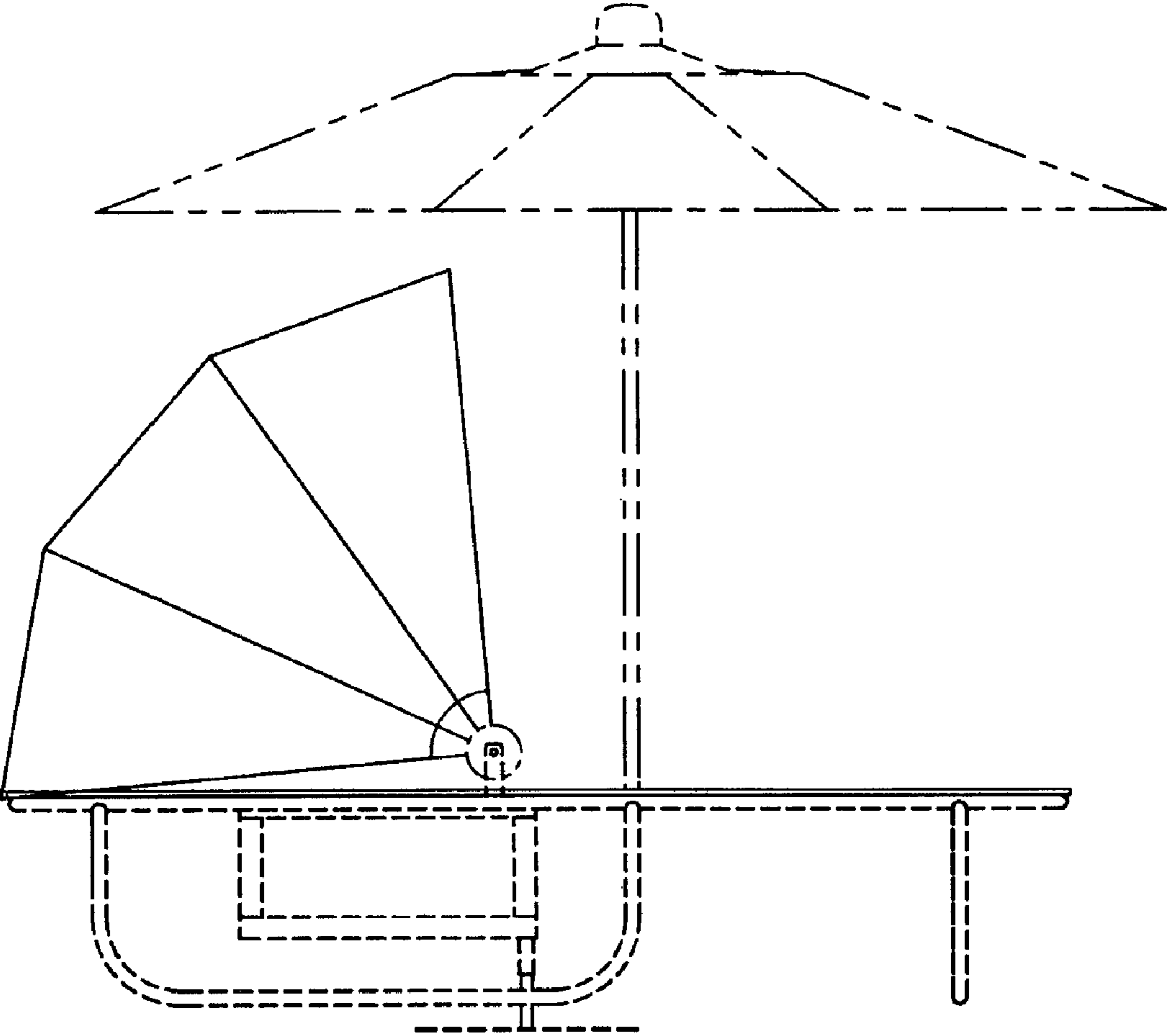


FIG. 1

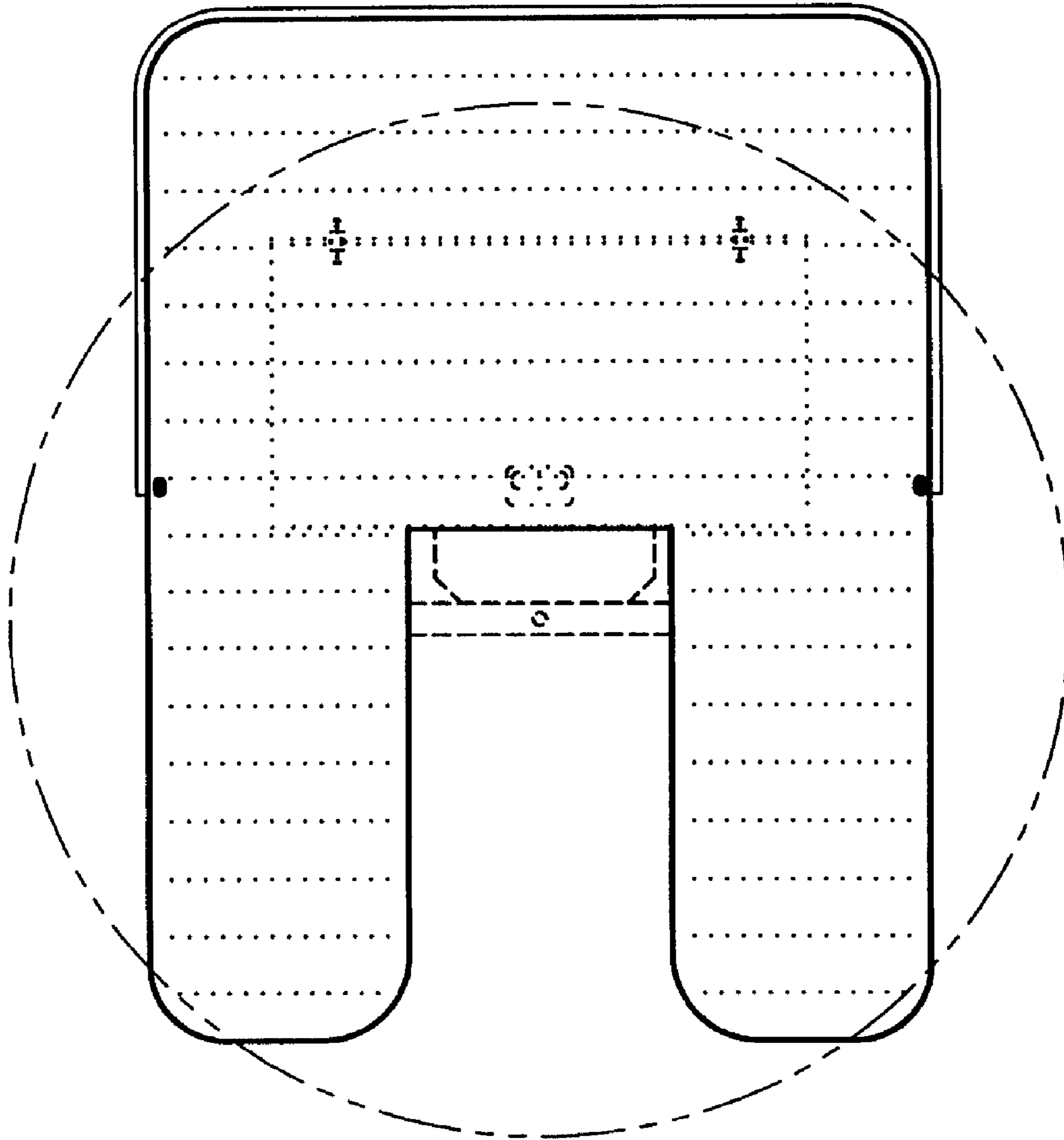


FIG. 2

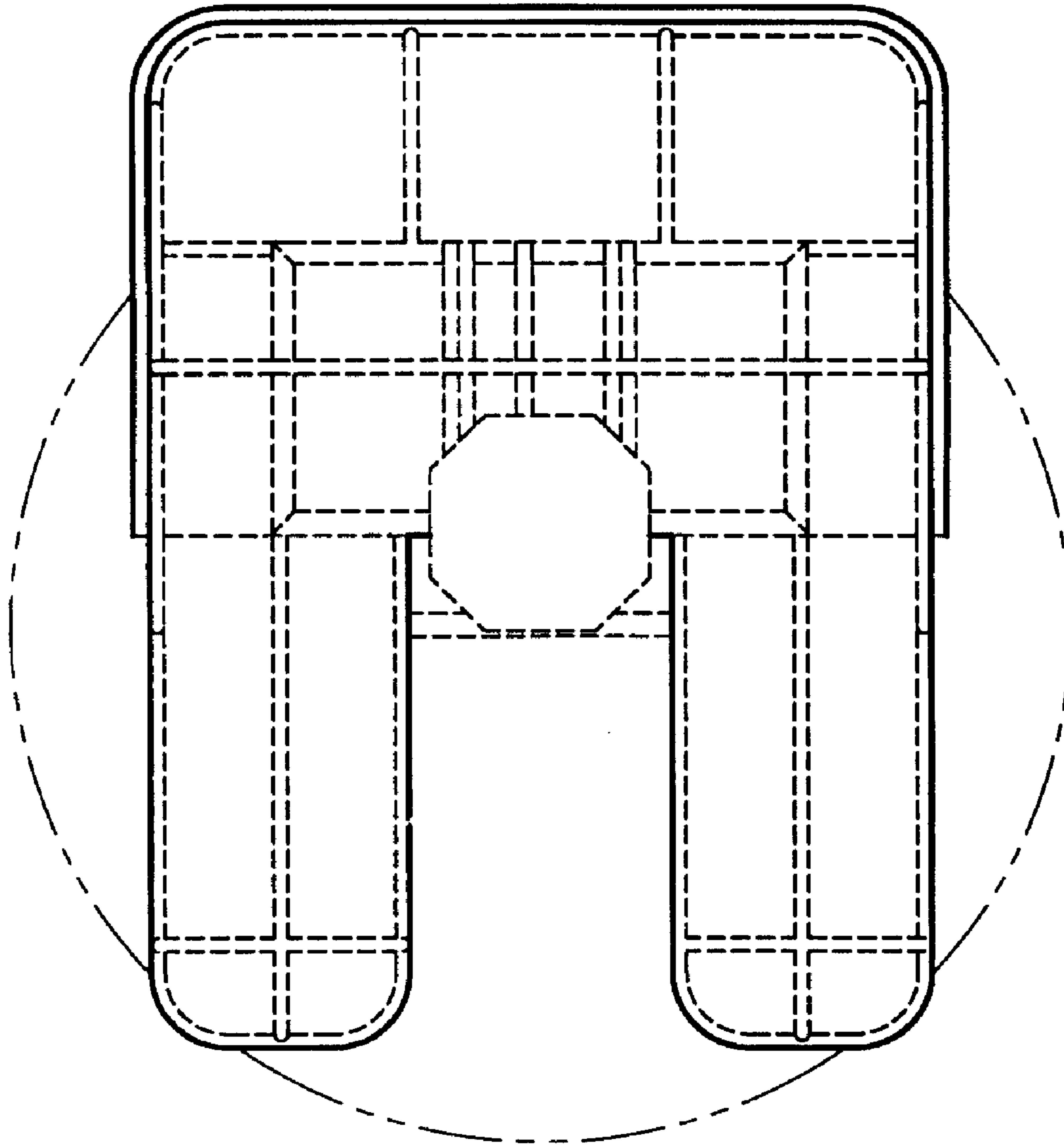


FIG. 3

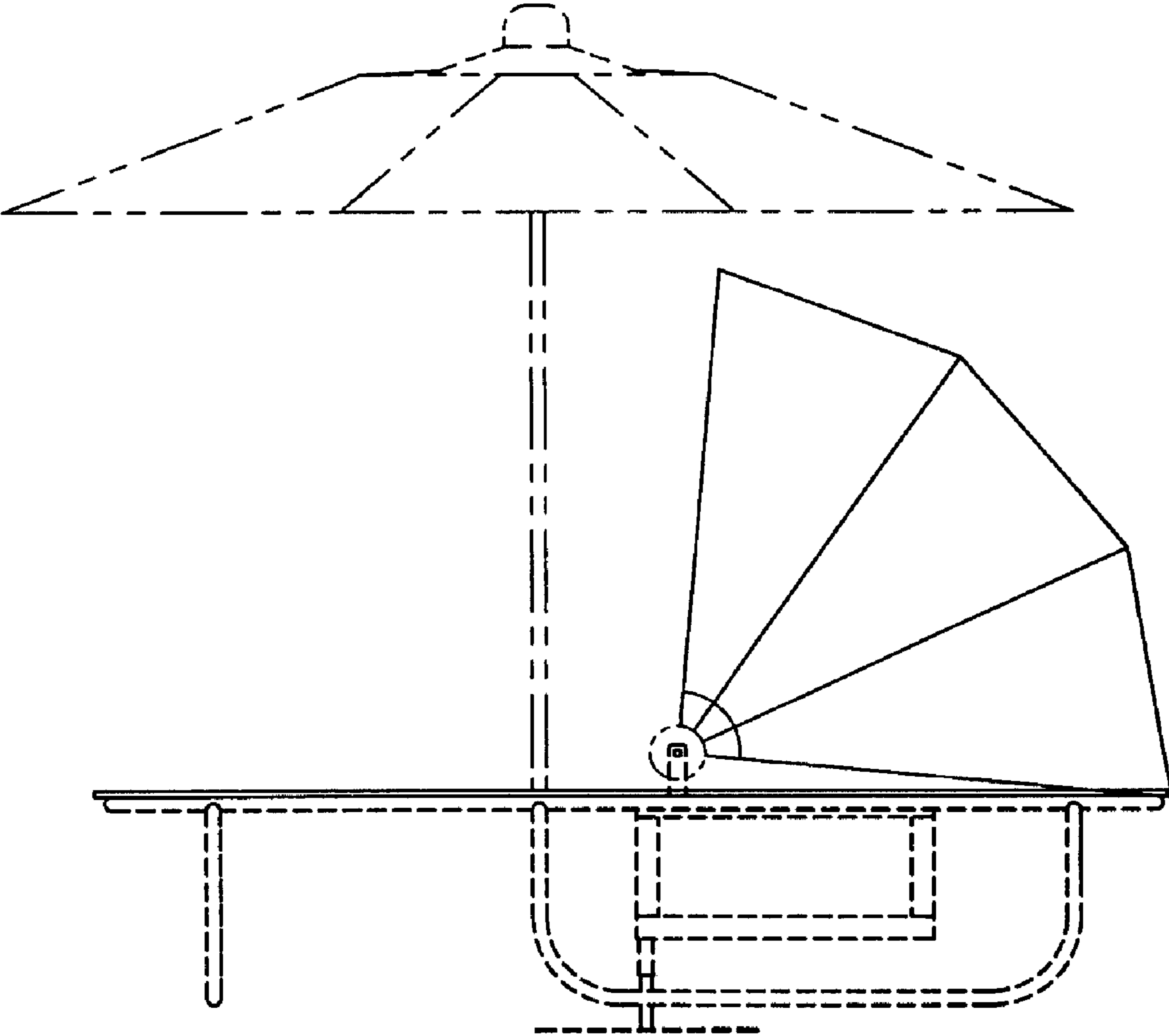


FIG. 4

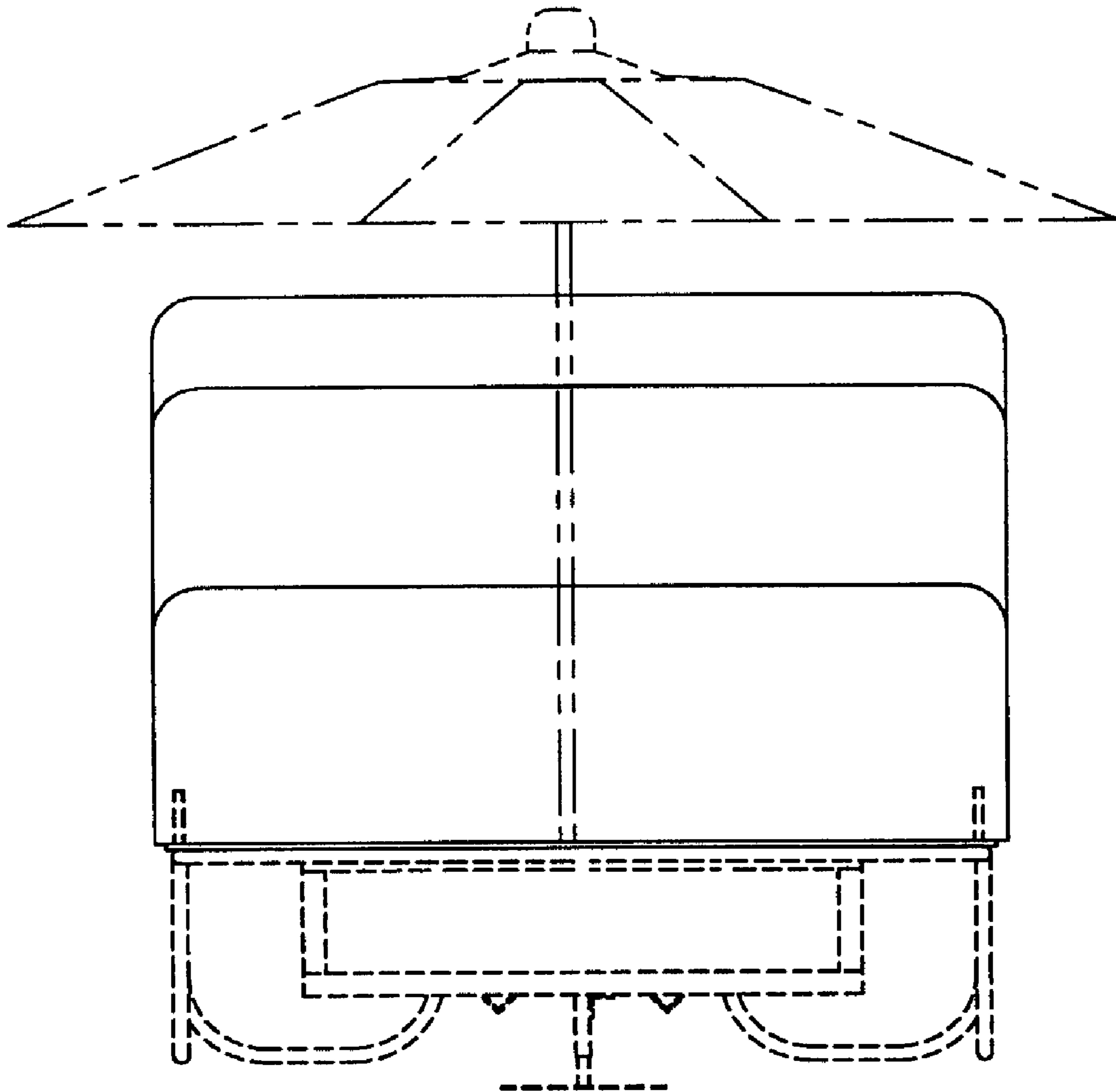


FIG. 5

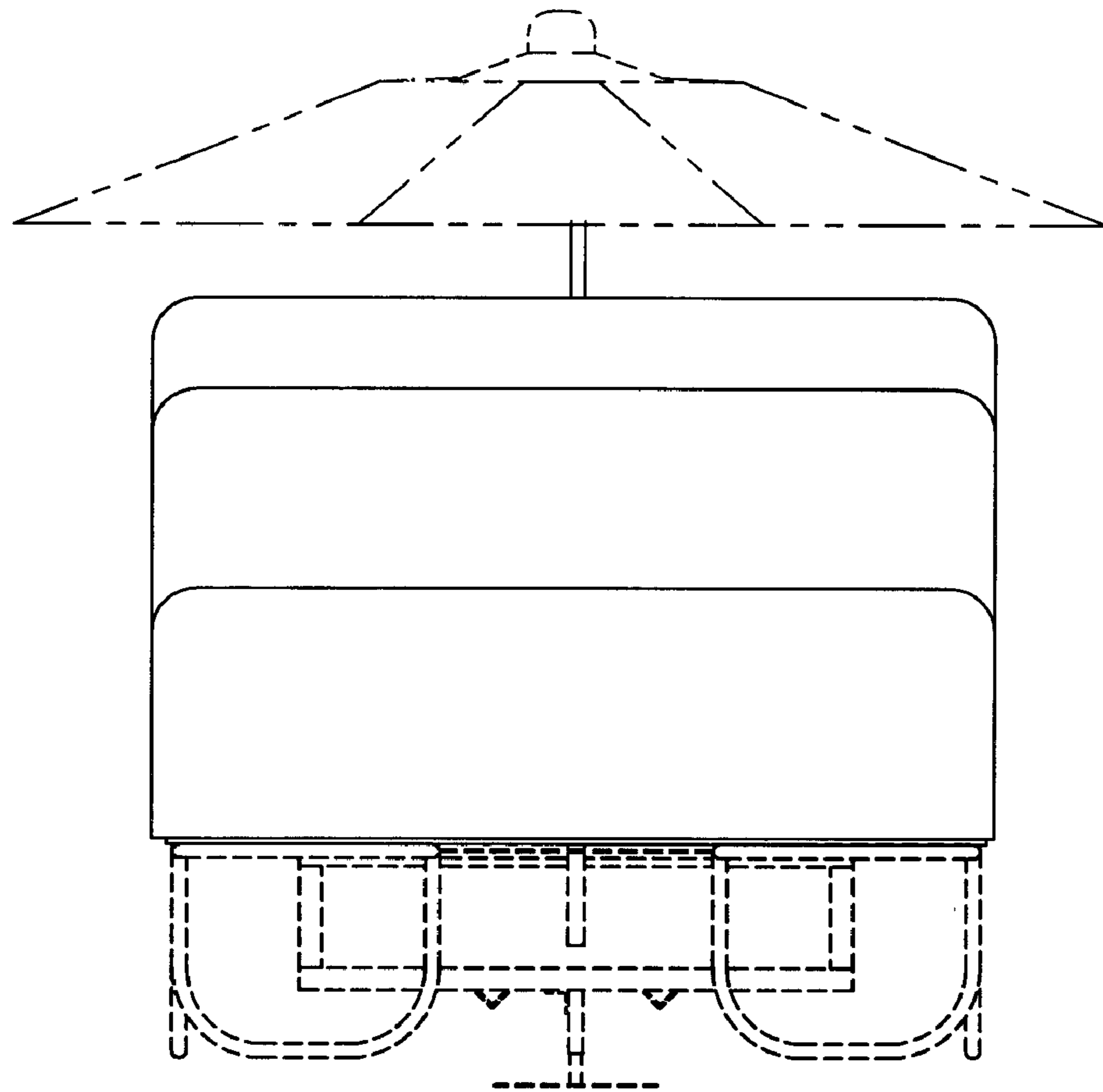


FIG. 6

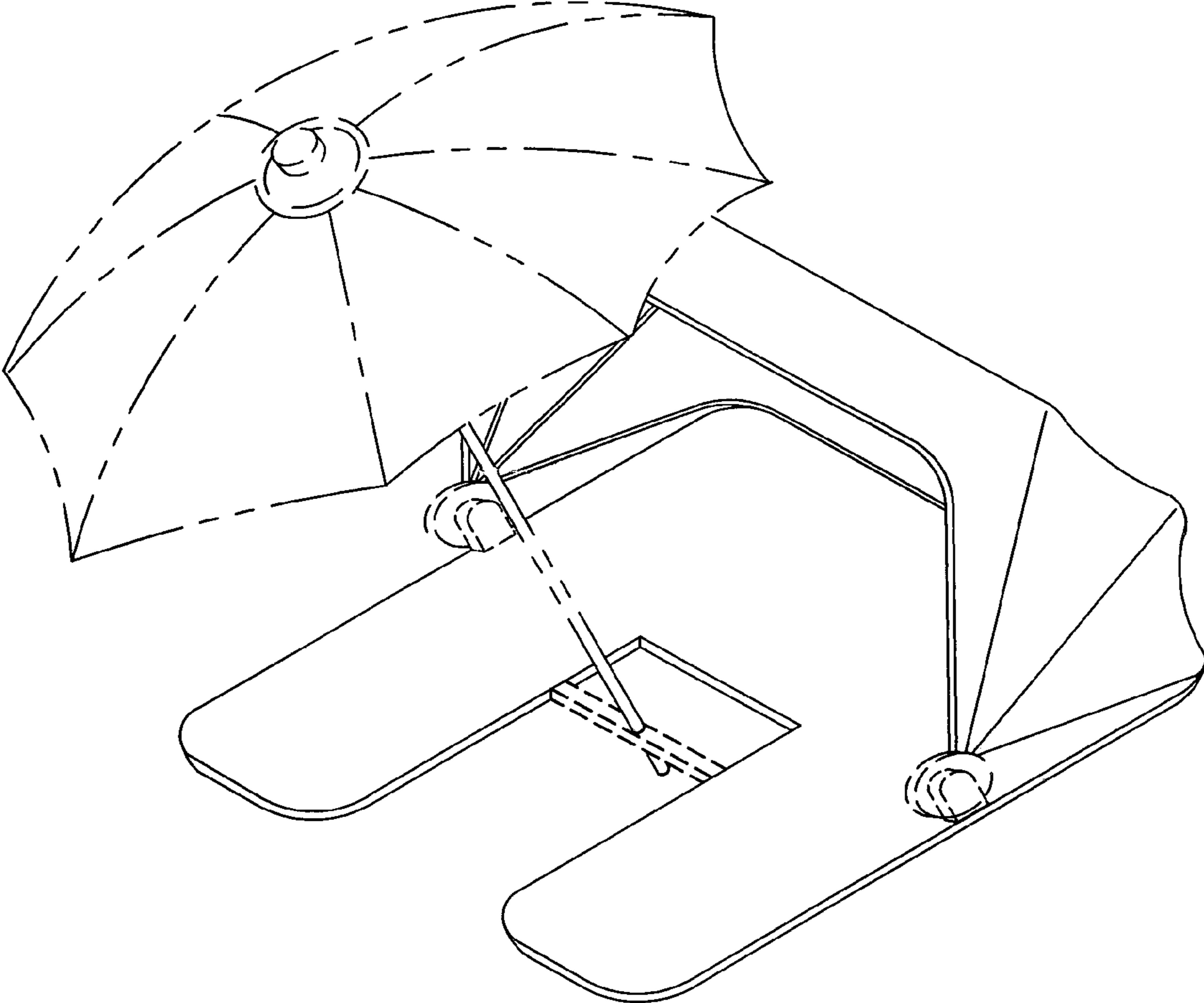


FIG. 7