

US00D570613S

(12) **United States Design Patent**
Ricereto

(10) **Patent No.:** **US D570,613 S**
(45) **Date of Patent:** **** Jun. 10, 2008**

(54) **ROBE HOOK**
(75) Inventor: **Michael Hart Ricereto**, Baltimore, MD
(US)
(73) Assignee: **Newell Operating Company**, Atlanta,
GA (US)
(**) Term: **14 Years**

D253,381 S 11/1979 Tegner
D254,460 S 3/1980 Tegner
D254,461 S 3/1980 Tegner
D259,916 S 7/1981 Pittenger
D268,246 S 3/1983 Tegner
D276,976 S 1/1985 Tegner
4,627,672 A 12/1986 DeBruyn
4,637,582 A 1/1987 Boda
D290,338 S 6/1987 Tegner
D292,546 S 11/1987 Tegner

(21) Appl. No.: **29/279,671**

(Continued)

(22) Filed: **May 4, 2007**

OTHER PUBLICATIONS

(51) **LOC (8) Cl.** **06-04**
(52) **U.S. Cl.** **D6/323**
(58) **Field of Classification Search** D6/323,
D6/546, 550; D8/354, 367, 372, 363, 380;
211/13.1, 85.3; 248/304, 309.1, 309.2
See application file for complete search history.

Amerock Decorative Hardware Catalog, Jul. 2006, p. 47, published
in USA.

(Continued)

Primary Examiner—Brian N Vinson
(74) *Attorney, Agent, or Firm*—Banner & Witcoff, Ltd.

(56) **References Cited**

(57) **CLAIM**

U.S. PATENT DOCUMENTS

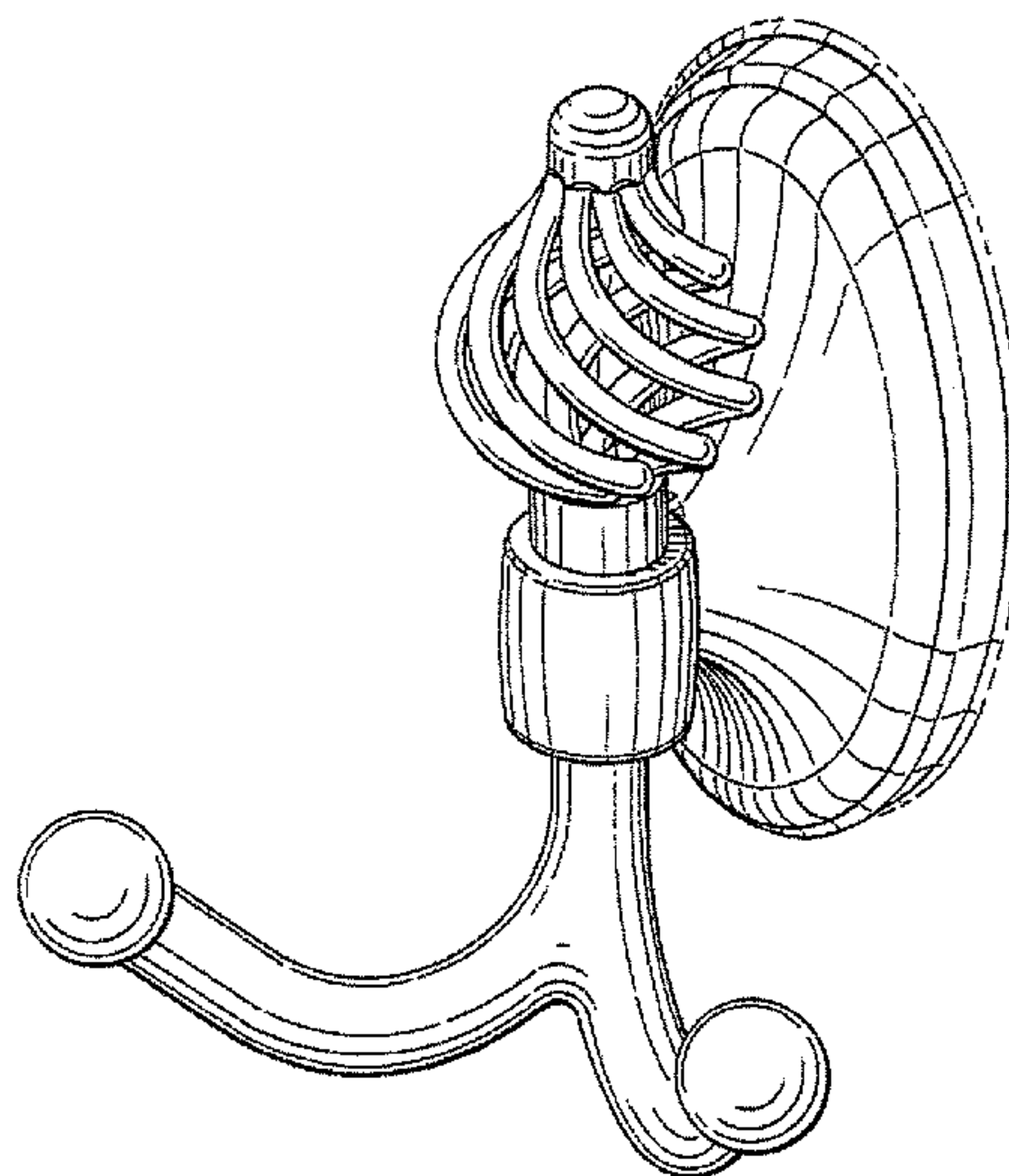
I claim the ornamental design for a robe hook, as shown and
described.

- D244,422 S 5/1977 Clayton
- D244,652 S 6/1977 Tegner
- D244,653 S 6/1977 Tegner
- D244,654 S 6/1977 Tegner
- D246,404 S 11/1977 Tegner
- D246,406 S 11/1977 Tegner
- D246,435 S 11/1977 Stone
- D246,502 S 11/1977 Clayton
- D246,503 S 11/1977 Clayton
- D246,696 S 12/1977 Clayton
- D247,844 S 5/1978 Palm, Jr.
- D247,845 S 5/1978 Palm, Jr.
- D249,418 S 9/1978 Tegner
- D249,419 S 9/1978 Tegner
- D251,462 S 4/1979 Tegner
- D251,543 S 4/1979 Pittenger
- D251,544 S 4/1979 Tegner
- D251,882 S 5/1979 Tegner
- D252,317 S 7/1979 Clayton
- D253,380 S 11/1979 Pittenger

DESCRIPTION

FIG. 1 is a perspective view of a robe hook of the present
claimed design;
FIG. 2 is a side view of the robe hook shown in FIG. 1, the
opposite side view being identical thereto;
FIG. 3 is a top view of the robe hook shown in FIG. 1;
FIG. 4 is a front view of the robe hook shown in FIG. 1;
FIG. 5 is a bottom view of the robe hook shown in FIG. 1;
and,
FIG. 6 is a rear view of the robe hook shown in FIG. 1.
Features shown in broken lines in the drawings form no part
of the claimed design.

1 Claim, 3 Drawing Sheets



US D570,613 S

Page 2

U.S. PATENT DOCUMENTS

4,718,625 A 1/1988 Boda
D293,988 S 2/1988 Tegner
D293,989 S 2/1988 Tegner
D294,092 S 2/1988 Tegner
D294,093 S 2/1988 Tegner
D294,094 S 2/1988 Tegner
D294,095 S 2/1988 Tegner
D294,309 S 2/1988 Tegner
D299,095 S 12/1988 Gresens et al.
D299,099 S 12/1988 Gresens et al.
D300,998 S 5/1989 Gresens et al.
D304,655 S * 11/1989 Pool D6/323
D305,862 S 2/1990 Clayton
D305,863 S 2/1990 Gresens et al.
D307,992 S 5/1990 Gresens et al.
D326,997 S 6/1992 Clayton

D327,420 S 6/1992 Bishop
D377,655 S 1/1997 Smith
D386,667 S 11/1997 Smith
D453,271 S * 2/2002 Gilbert et al. D6/323
D454,457 S * 3/2002 Ou-Young D6/546
D462,844 S * 9/2002 Chou D6/323
D465,661 S * 11/2002 Hoernig D6/323
D516,823 S * 3/2006 Goodman et al. D6/323
D540,084 S * 4/2007 Kennard D6/550
D542,038 S * 5/2007 Tau et al. D6/323
D551,479 S * 9/2007 Gilbert D6/550

OTHER PUBLICATIONS

Amerock Decorative Hardware Catalog, Jul. 2006, p. 94, published in USA.

* cited by examiner

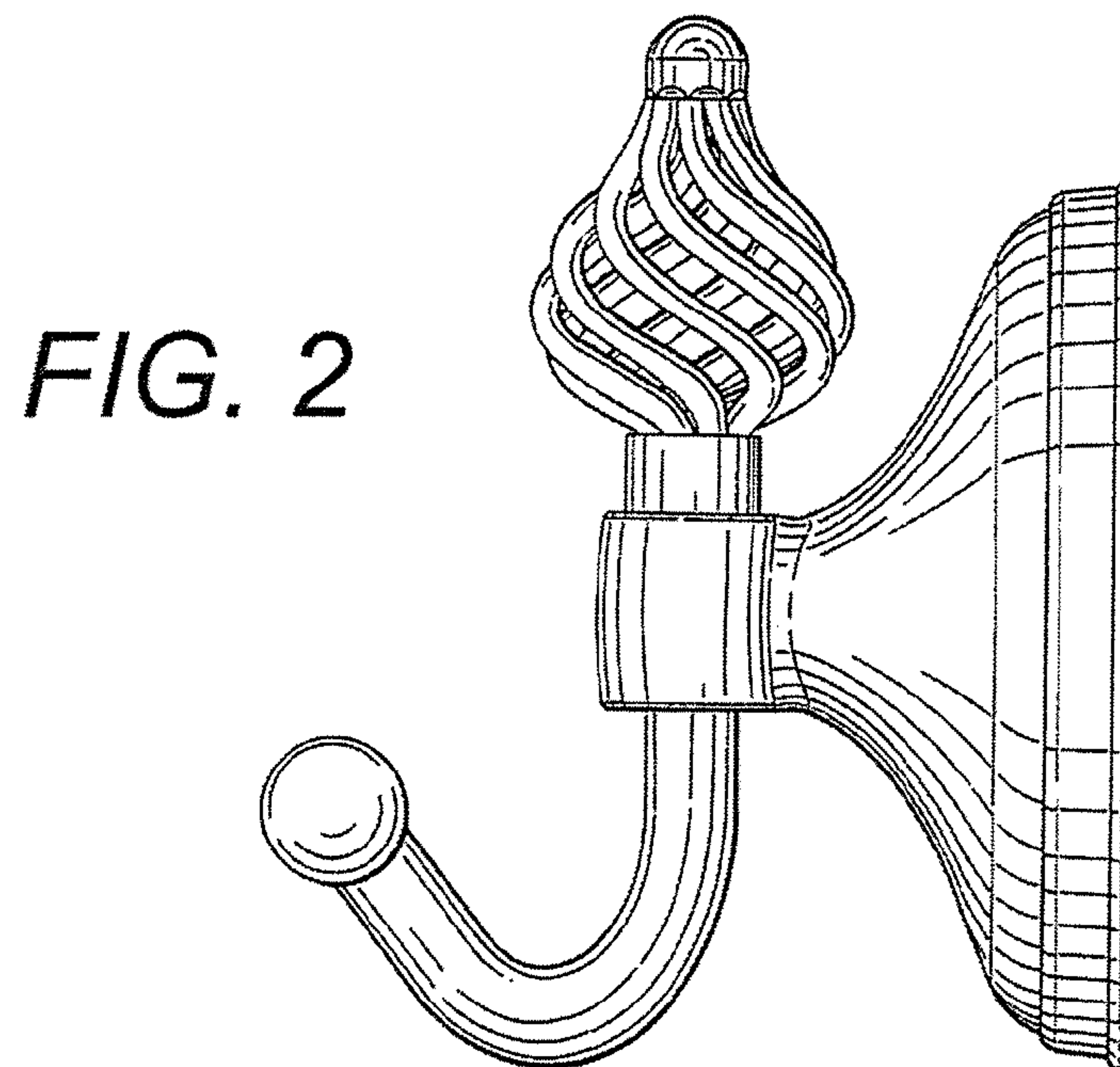
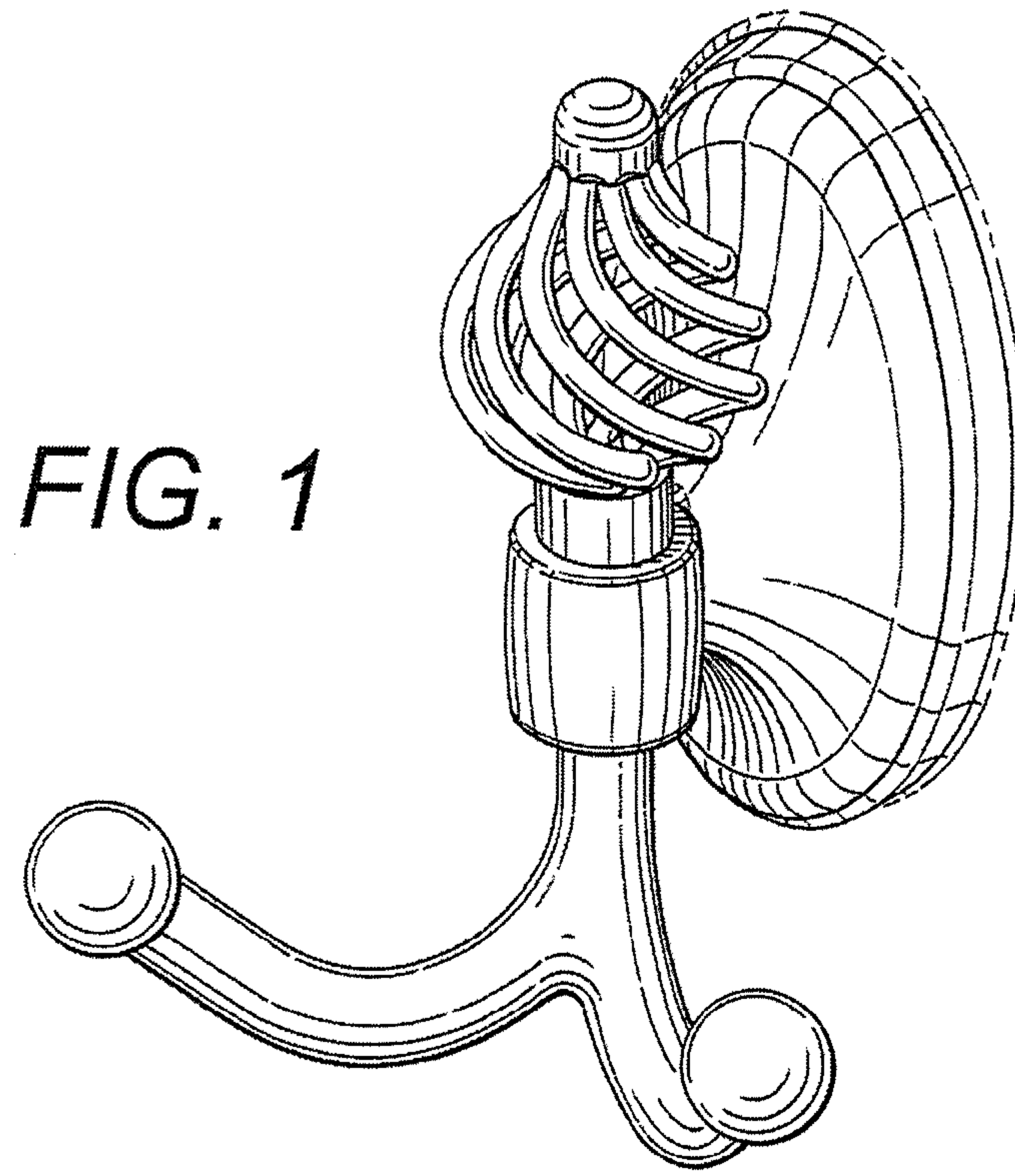


FIG. 3

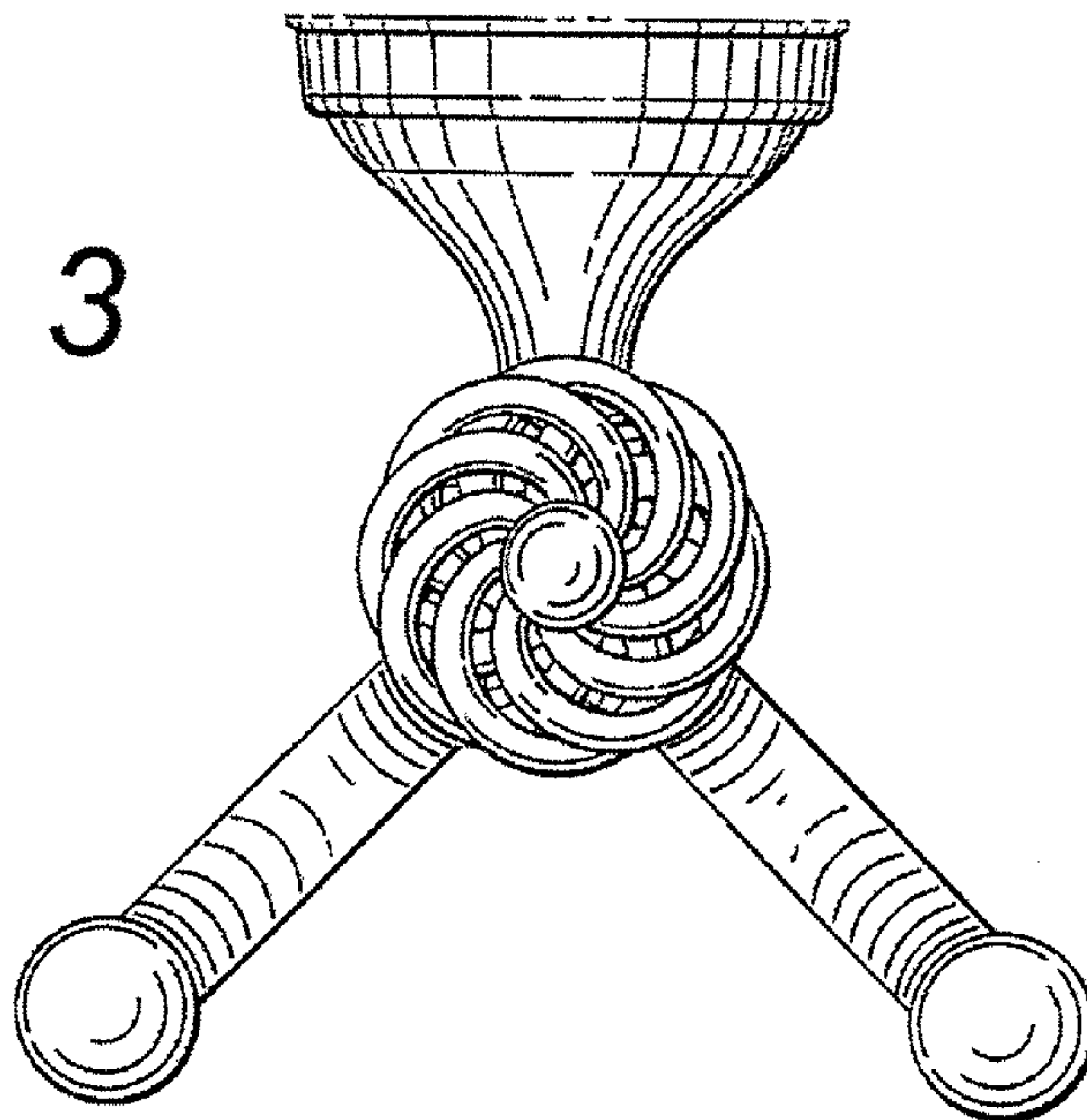


FIG. 4

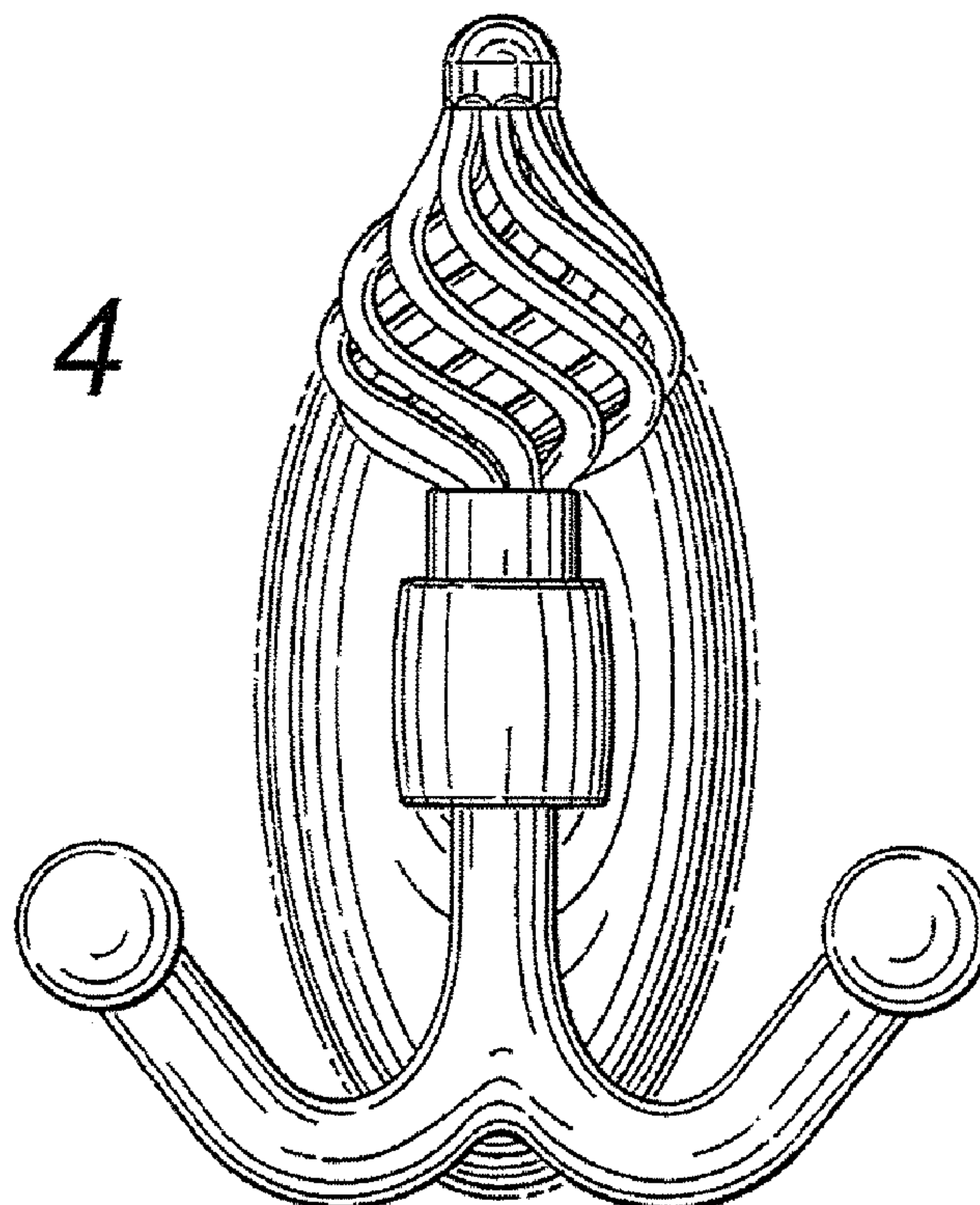


FIG. 5

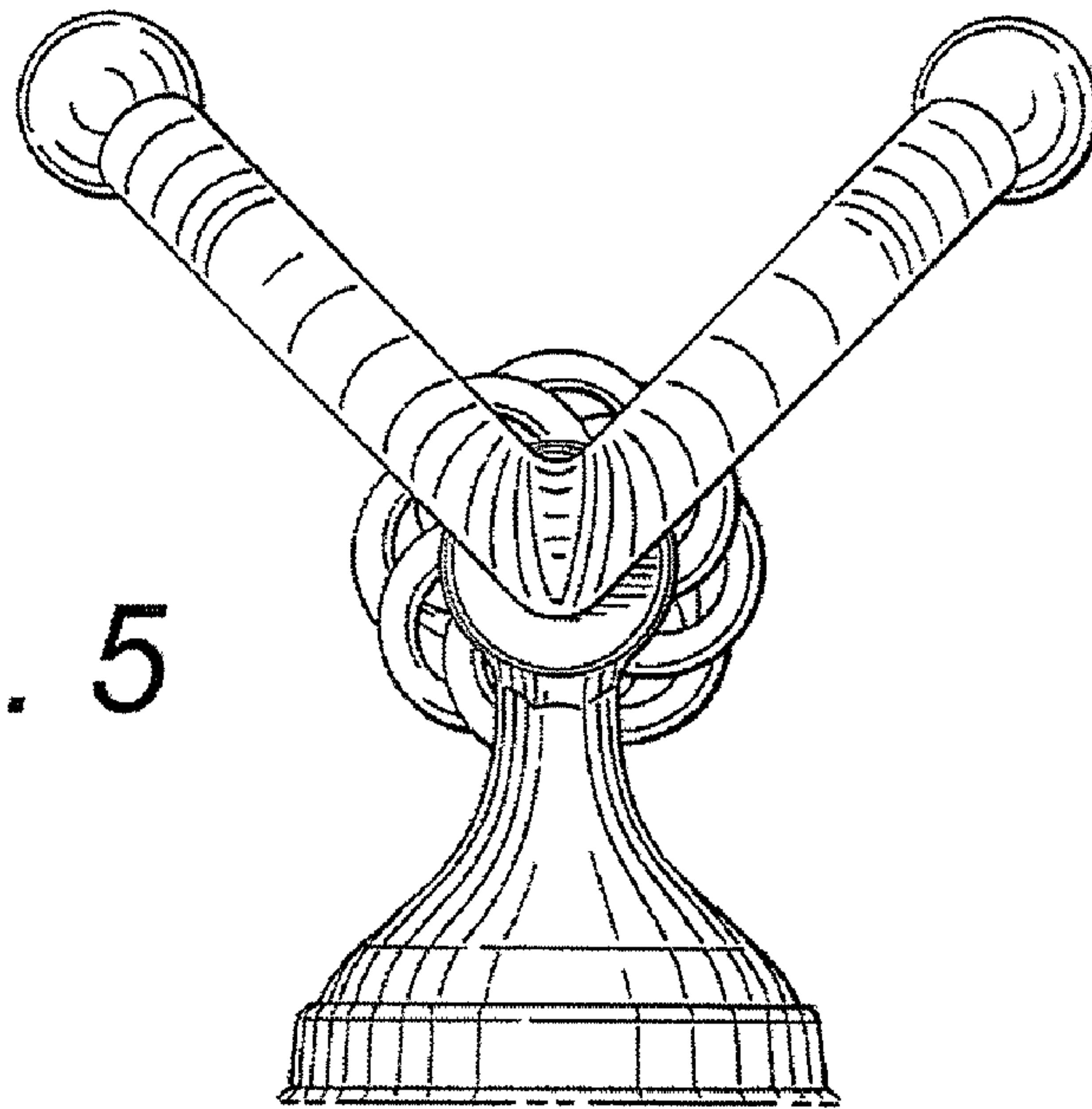


FIG. 6

