

US00D570611S

(12) **United States Design Patent**  
**Samerdyke et al.**

(10) **Patent No.:** **US D570,611 S**  
(45) **Date of Patent:** **\*\* Jun. 10, 2008**

(54) **RIBBON PICTURE FRAME**  
(75) Inventors: **Jennifer Lee Samerdyke**, Madison, WI (US); **Julia S. LaChica**, Madison, WI (US)

D507,704 S \* 7/2005 Dean et al. .... D6/303  
D525,520 S \* 7/2006 Martin ..... D8/356  
D525,897 S \* 8/2006 Raiman ..... D11/66  
D533,746 S 12/2006 Levy et al.  
D555,033 S \* 11/2007 Perkins ..... D11/120

(73) Assignee: **Uniek, Inc.**, Waunakee, WI (US)

\* cited by examiner

(\*\*) Term: **14 Years**

*Primary Examiner*—Caron D. Veynar  
*Assistant Examiner*—Sydney R Buffalow

(21) Appl. No.: **29/280,398**

(74) *Attorney, Agent, or Firm*—Foley & Lardner LLP

(22) Filed: **May 25, 2007**

(57) **CLAIM**

(51) **LOC (8) Cl.** ..... **06-04**

We claim the ornamental design for a ribbon picture frame, as shown and described.

(52) **U.S. Cl.** ..... **D6/303**

(58) **Field of Classification Search** ..... D6/300–314,  
D6/444, 321, 568; 40/200, 700, 720, 728,  
40/735, 727, 765, 747; D11/77, 45, 98, 30,  
D11/66, 96, 120; D21/794; D8/356

See application file for complete search history.

**DESCRIPTION**

(56) **References Cited**

U.S. PATENT DOCUMENTS

D164,954 S \* 10/1951 Phillippe ..... D11/77  
D173,356 S \* 11/1954 Katz ..... D11/45  
D392,912 S 3/1998 Roos et al.  
D394,822 S 6/1998 Swenson et al.  
D455,978 S \* 4/2002 Brown ..... D11/98  
D456,476 S \* 4/2002 Tate ..... D21/794  
D464,901 S \* 10/2002 Lomax ..... D11/30  
D473,813 S \* 4/2003 Titus et al. .... D11/66  
D504,022 S \* 4/2005 Rodriguez ..... D6/303  
D506,948 S \* 7/2005 Gehrke ..... D11/96

FIG. 1 is a perspective view of an embodiment of the claimed design;

FIG. 2 is a front view of the claimed design of FIG. 1;

FIG. 3 is a top view of the claimed design of FIG. 1;

FIG. 4 is a right side view of the claimed design of FIG. 1;

FIG. 5 is a left side view of the claimed design of FIG. 1;

FIG. 6 is a bottom view of the claimed design of FIG. 1; and,

FIG. 7 is a rear view of the claimed design of FIG. 1.

The ornamental design which is claimed is shown in solid lines in the drawings. The broken lines in the drawings are for illustrative purposes only and form no part of the claimed design.

**1 Claim, 4 Drawing Sheets**

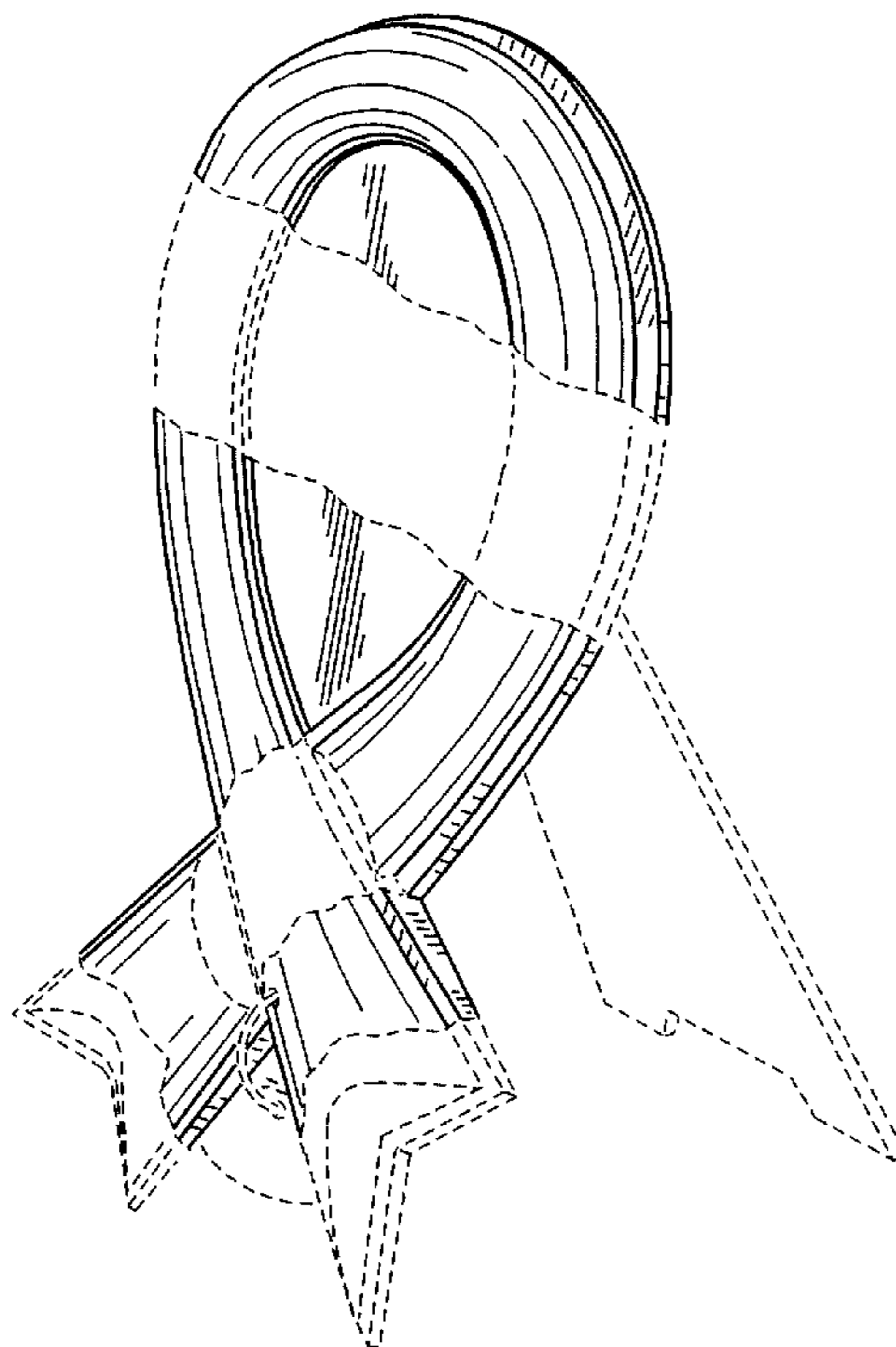


FIG. 1

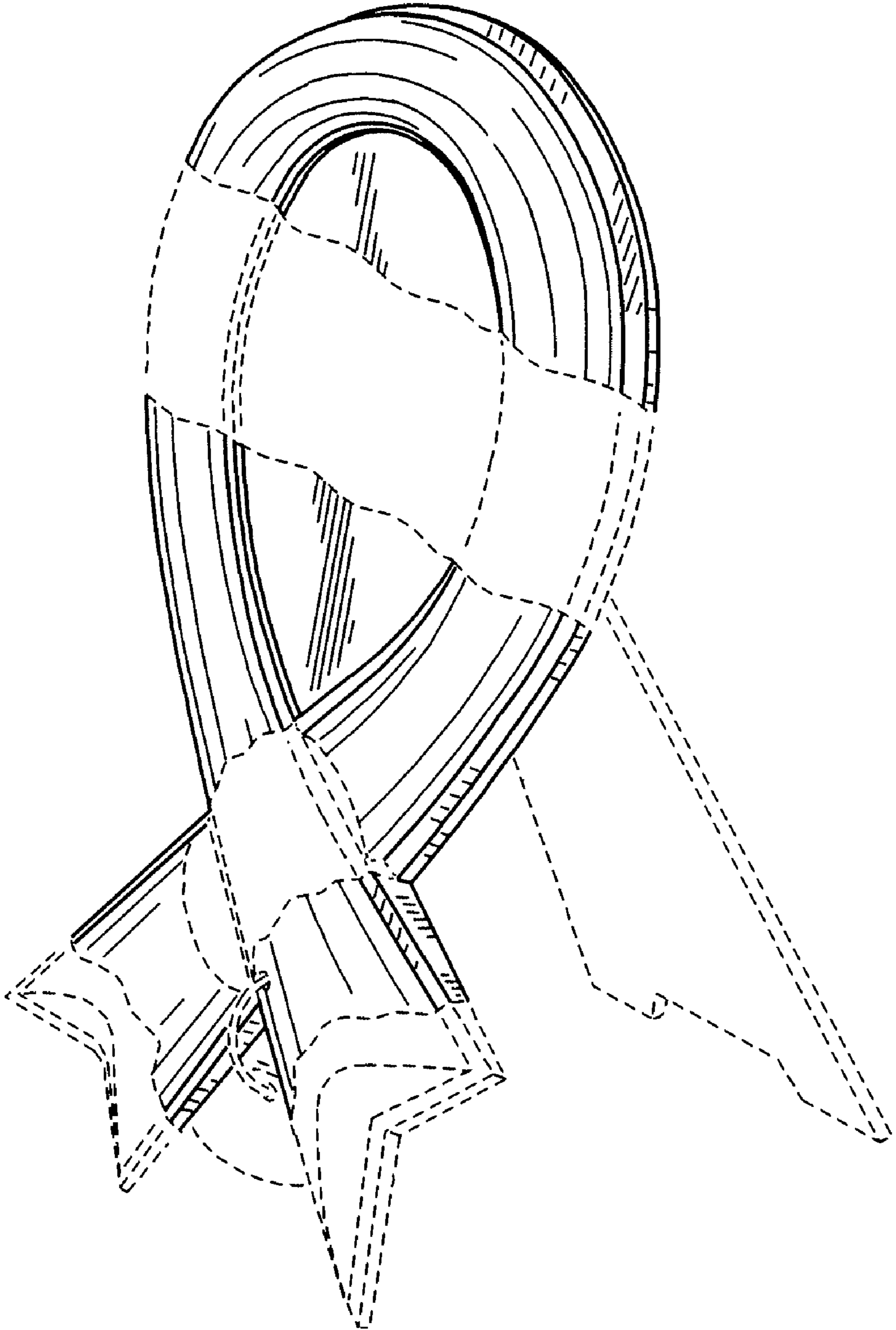


FIG. 2

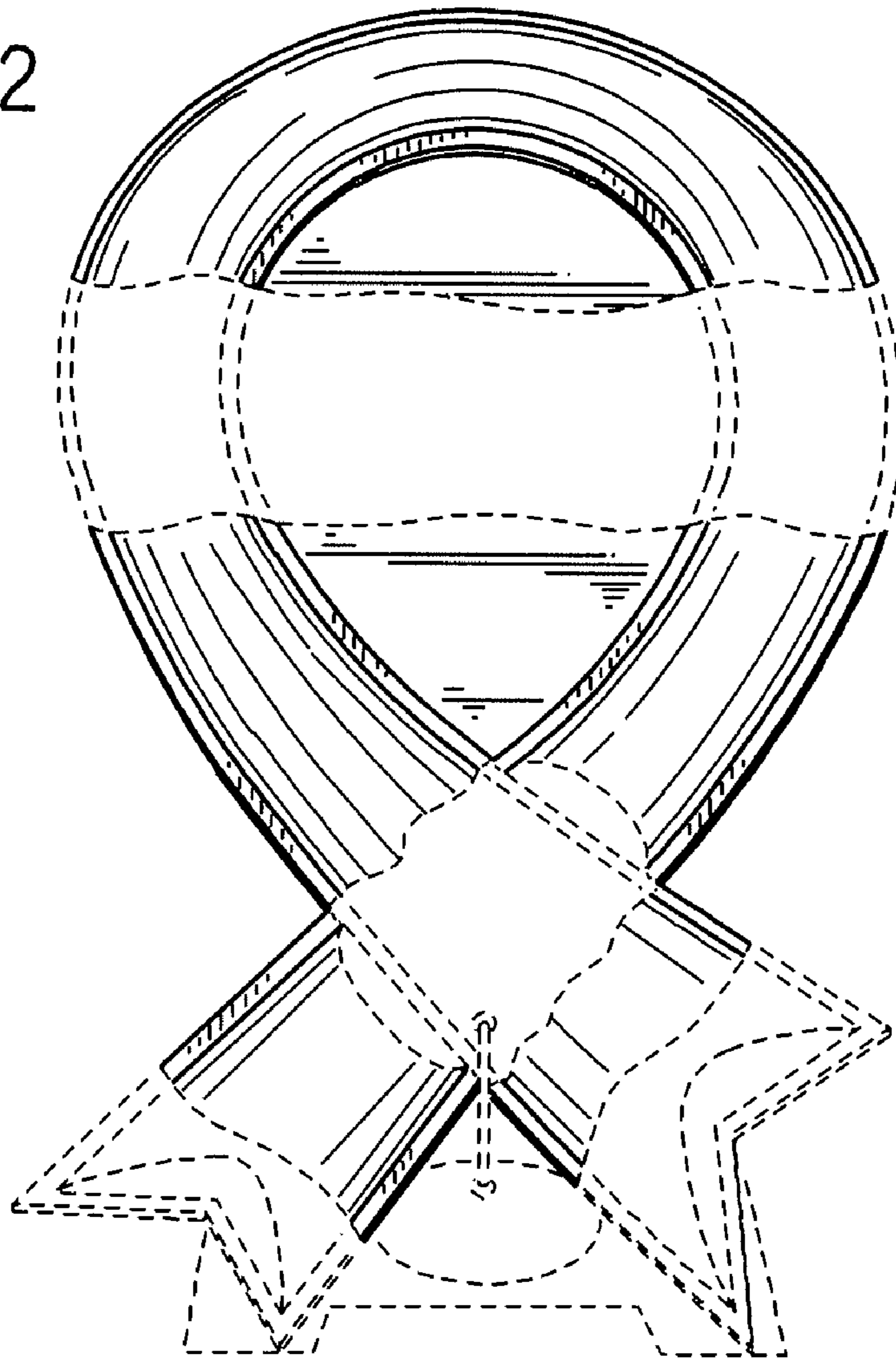
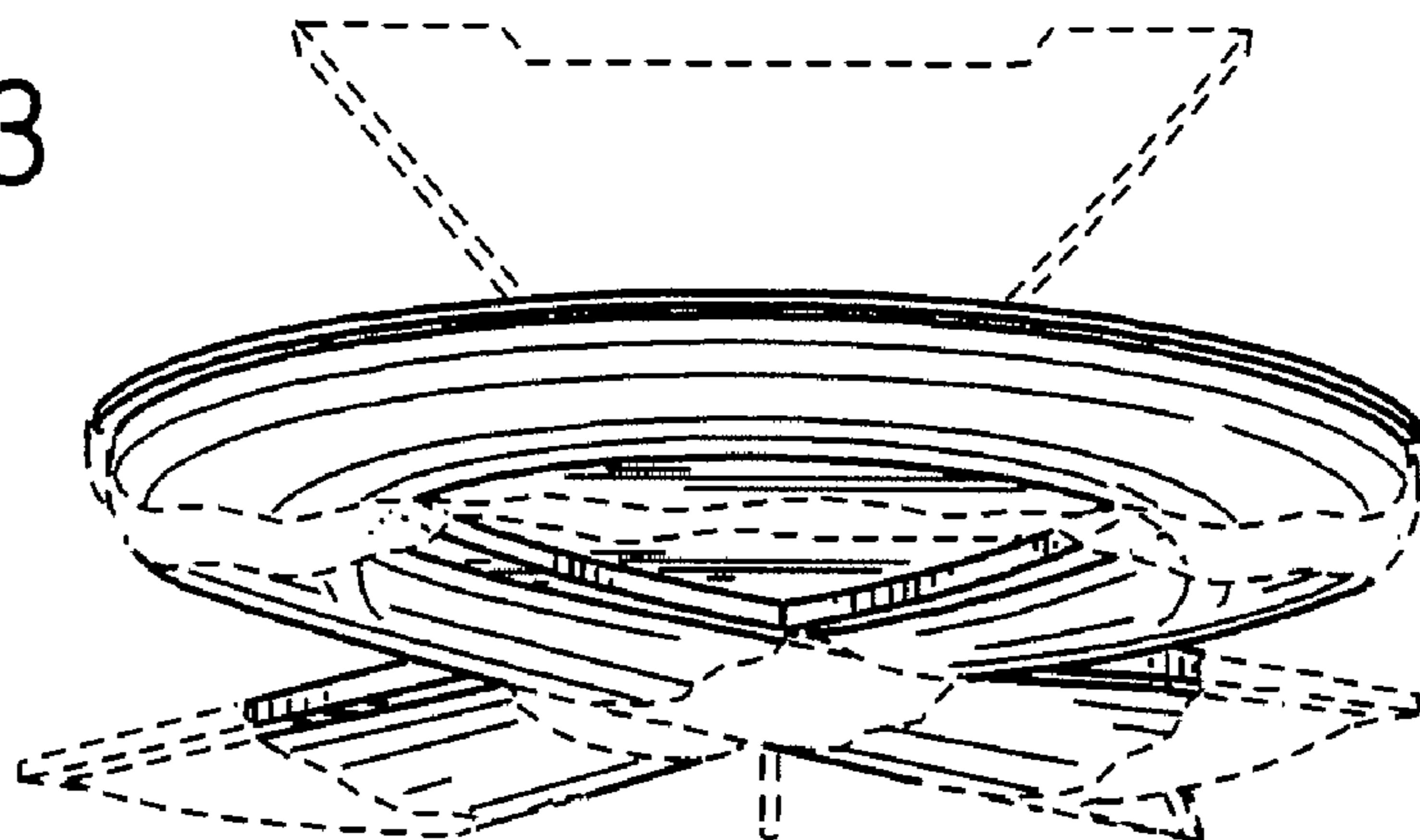


FIG. 3



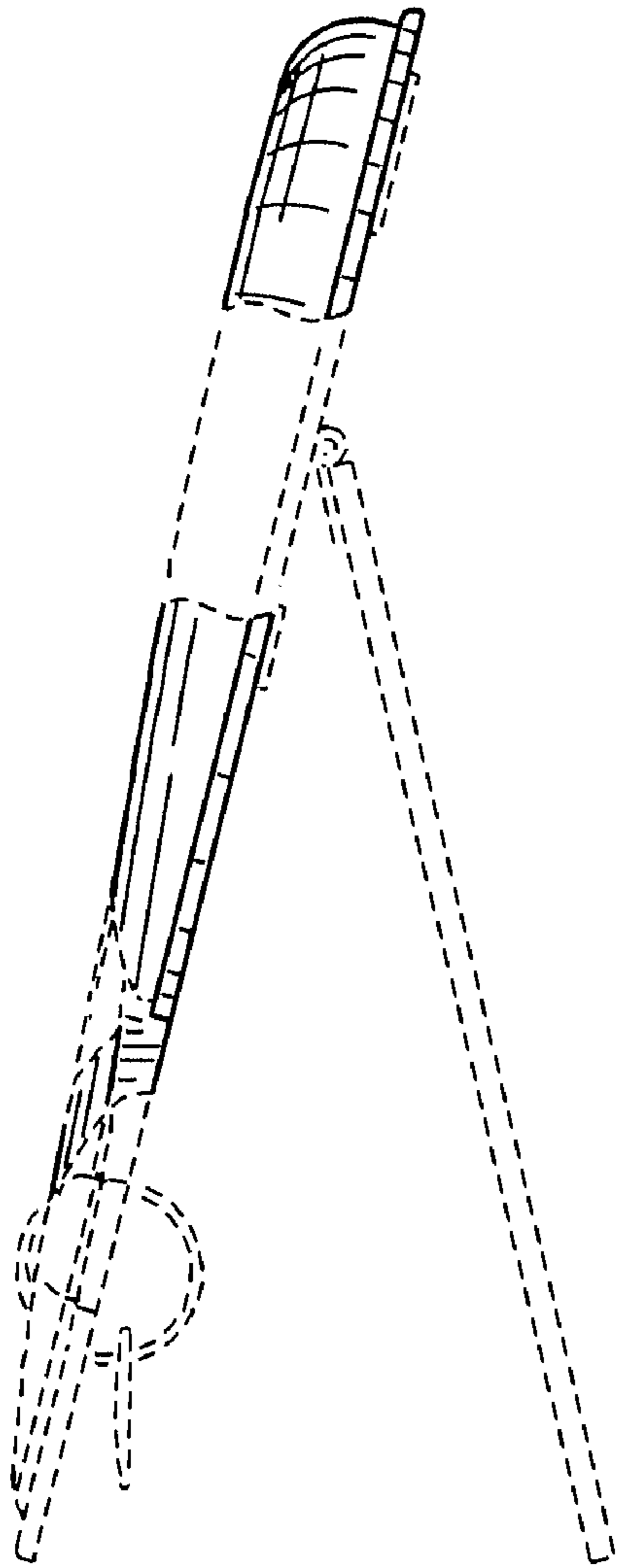


FIG. 4

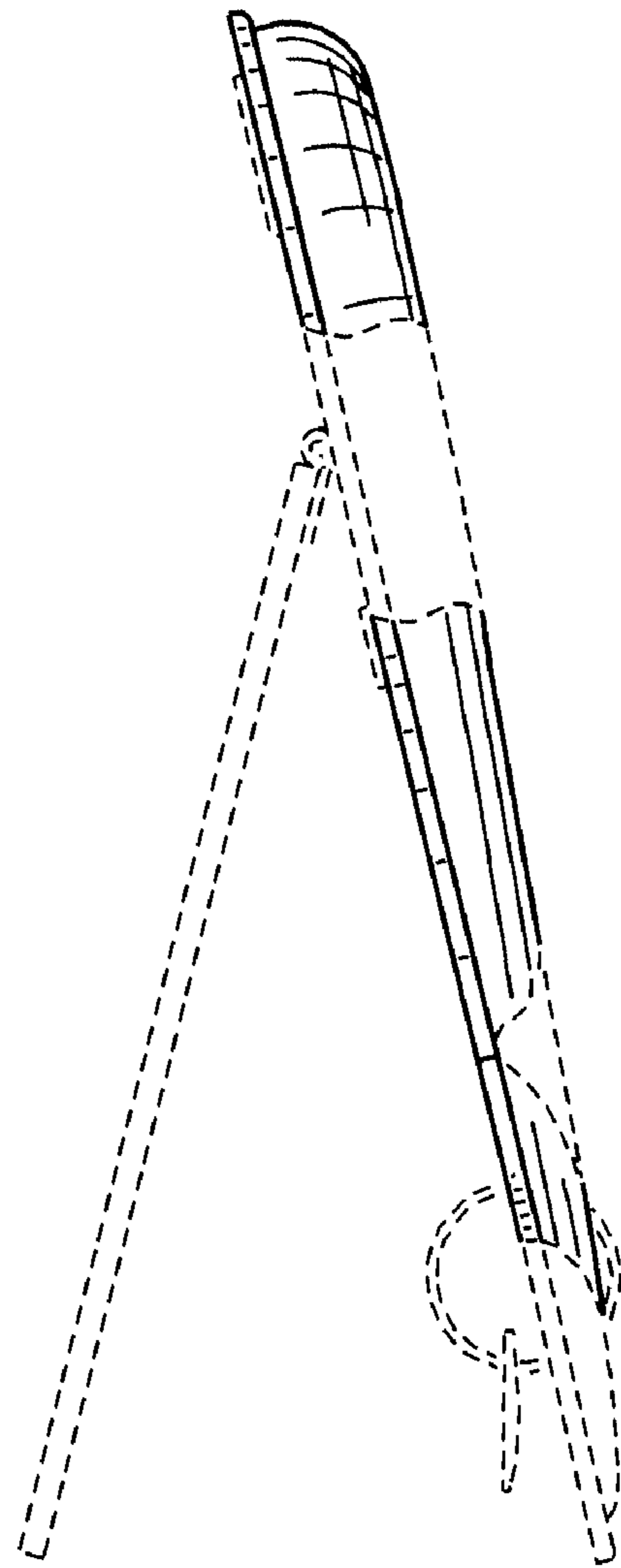


FIG. 5

FIG. 6

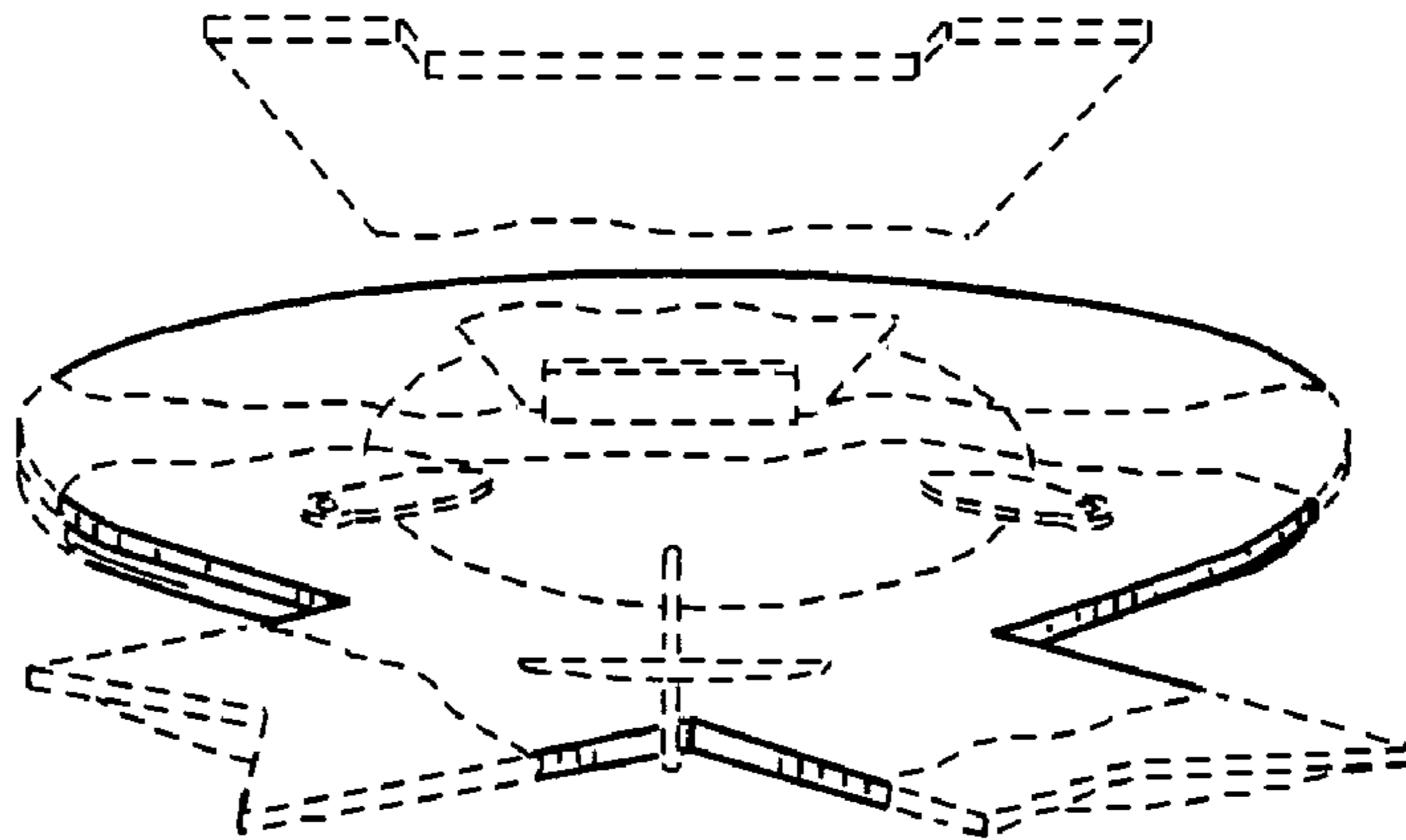


FIG. 7

