

US00D570609S

(12) **United States Design Patent**
Mohundro

(10) **Patent No.:** **US D570,609 S**

(45) **Date of Patent:** **** Jun. 10, 2008**

(54) **MIRROR**

D469,261 S * 1/2003 Stanton D6/300

(76) **Inventor:** **James Glenn Mohundro**, 3F-4 No.
161, Kung-I Road, Taichung City (TW)

* cited by examiner

Primary Examiner—Caron D. Veynar
Assistant Examiner—Sydney R Buffalow
(74) *Attorney, Agent, or Firm*—Bacon & Thomas, PLLC

(**) **Term:** **14 Years**

(21) **Appl. No.:** **29/290,204**

(57) **CLAIM**

(22) **Filed:** **Nov. 2, 2007**

The ornamental design for a mirror, as shown and described.

(51) **LOC (8) Cl.** **06-07**

(52) **U.S. Cl.** **D6/300**

(58) **Field of Classification Search** D6/300-314,
D6/444, 568; D25/52; 248/466; 312/224;
359/850; 40/700, 711, 714; 52/785.1

See application file for complete search history.

DESCRIPTION

FIG. 1 is a perspective view of a mirror, showing my new design;

FIG. 2 is a front elevational view thereof;

FIG. 3 is a rear elevational view thereof;

FIG. 4 is a left elevational view thereof;

FIG. 5 is a right elevational view thereof;

FIG. 6 is a top plan view thereof; and,

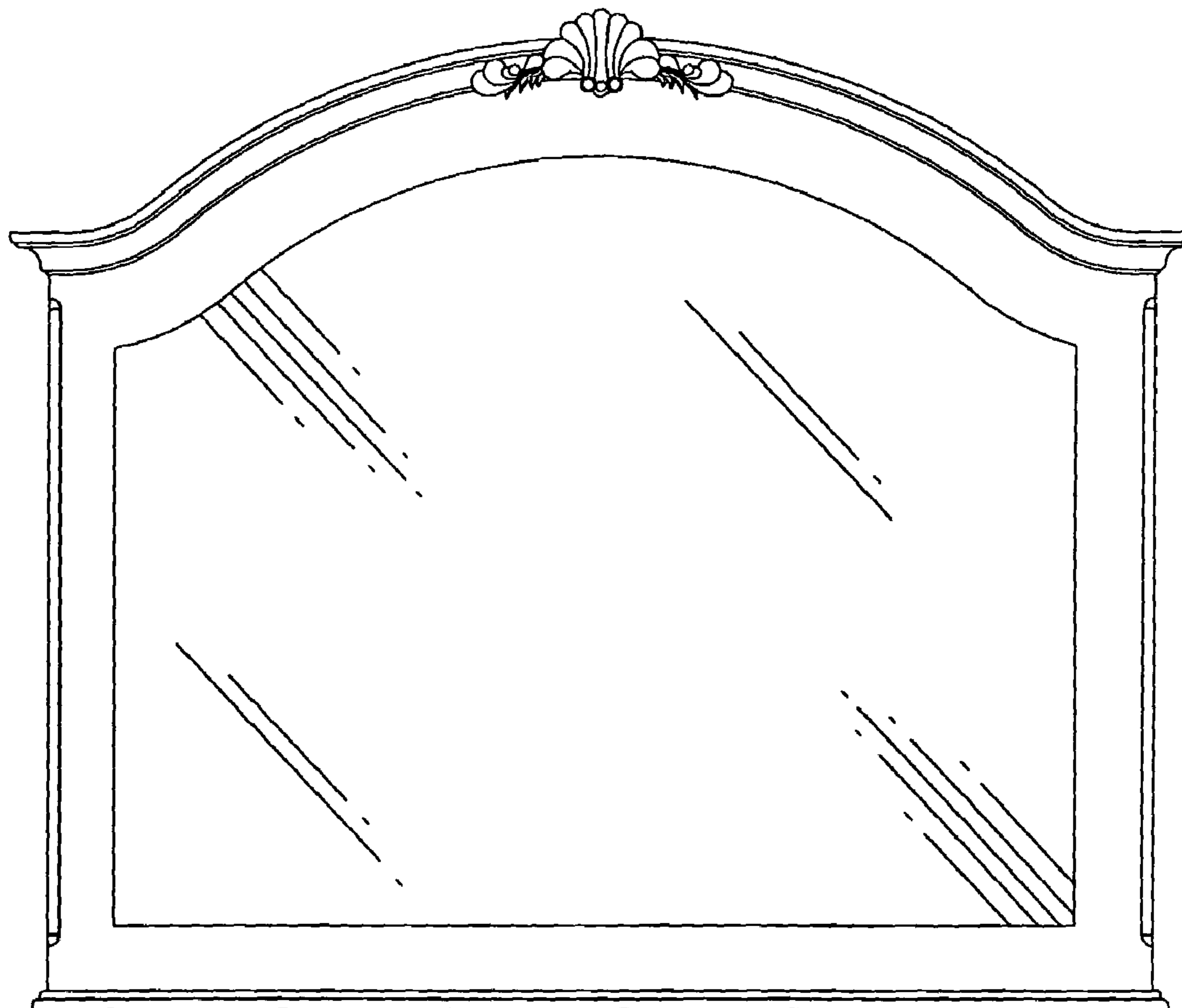
FIG. 7 is a bottom plan view thereof.

(56) **References Cited**

U.S. PATENT DOCUMENTS

2,625,080	A	*	1/1953	Ferlise	52/785.1
D401,423	S	*	11/1998	Zaidman	D6/302
D438,713	S	*	3/2001	Zaidman	D6/300
D462,531	S	*	9/2002	Risdon	D6/302

1 Claim, 5 Drawing Sheets



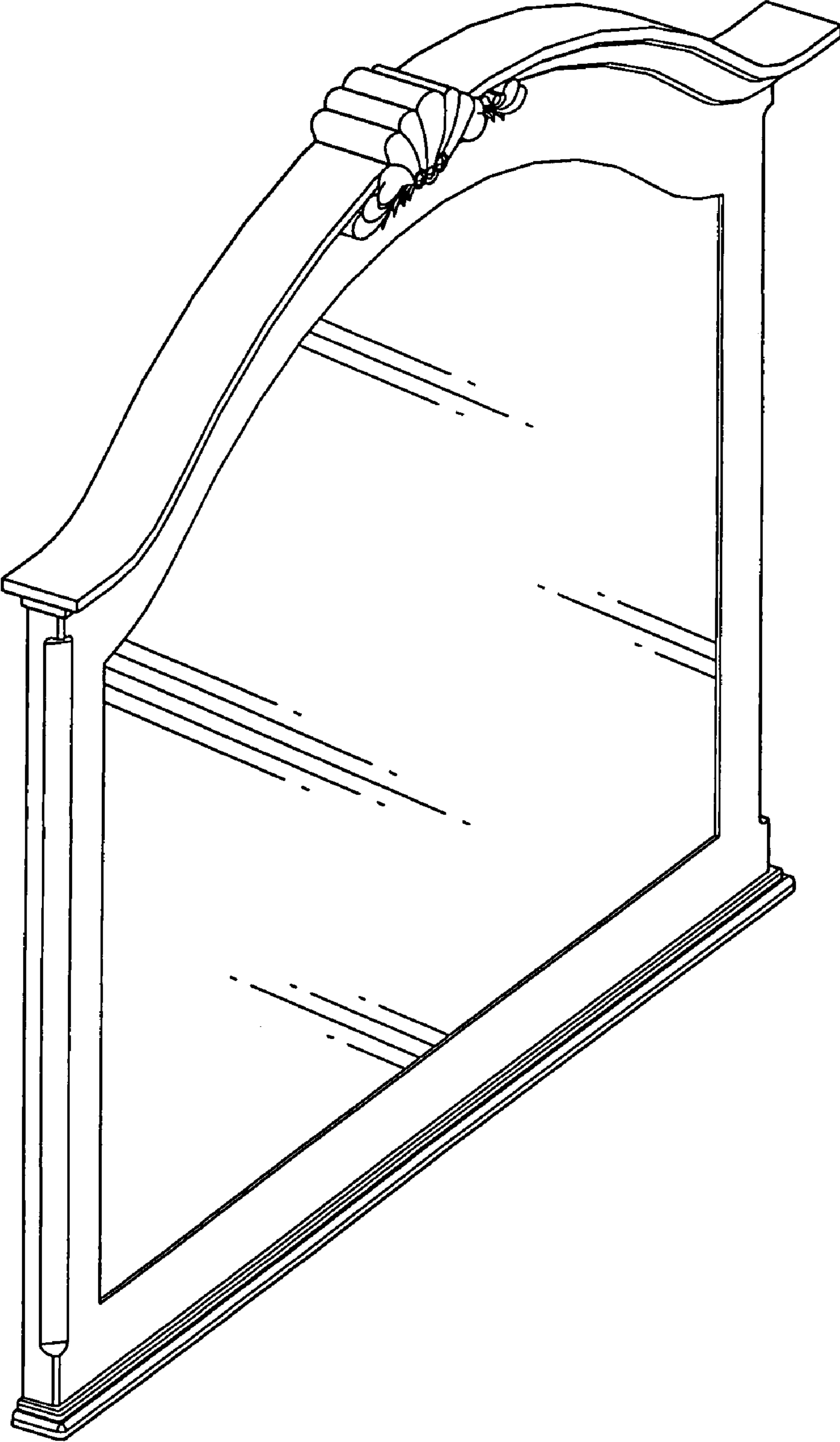


FIG. 1

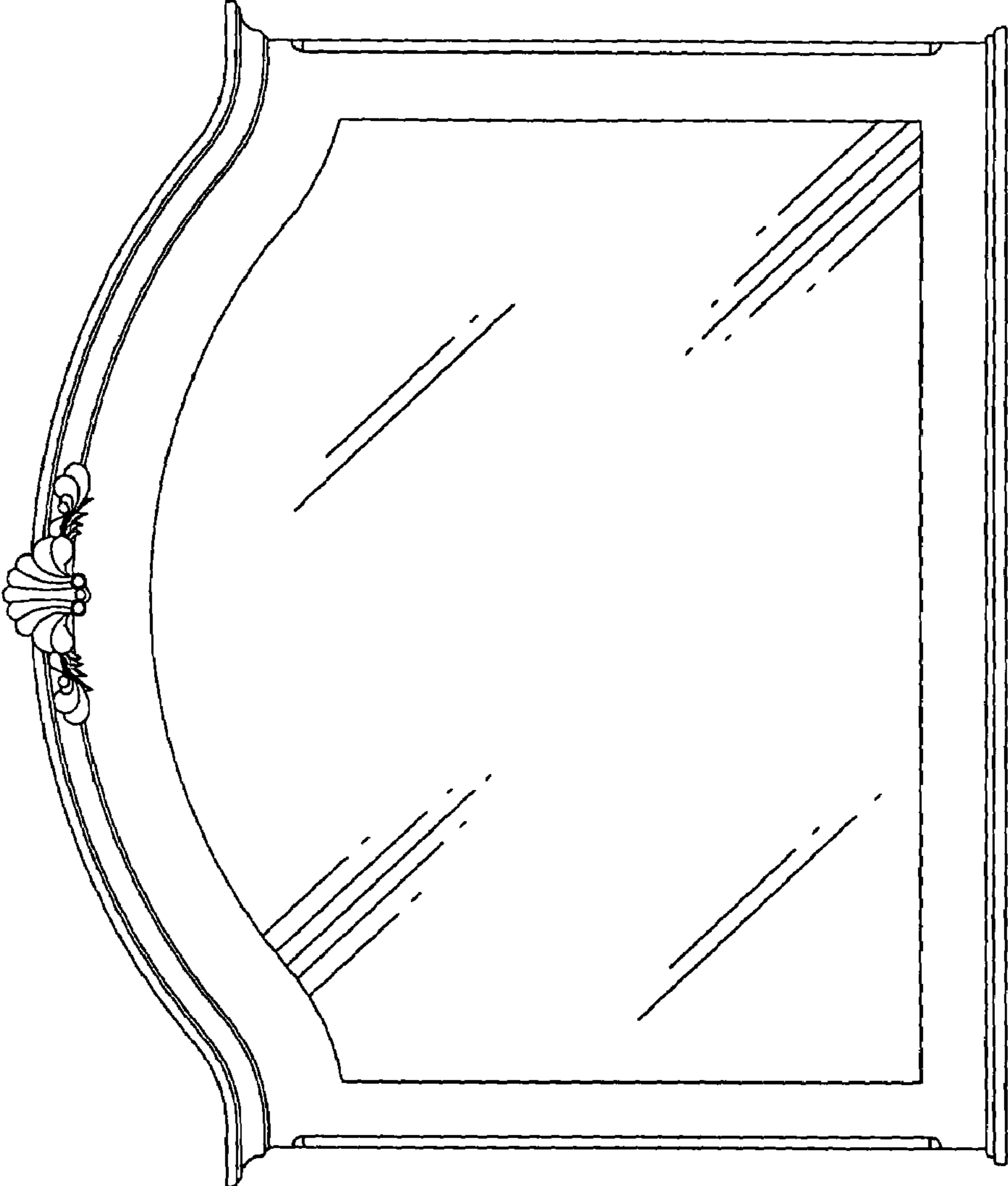


FIG.2

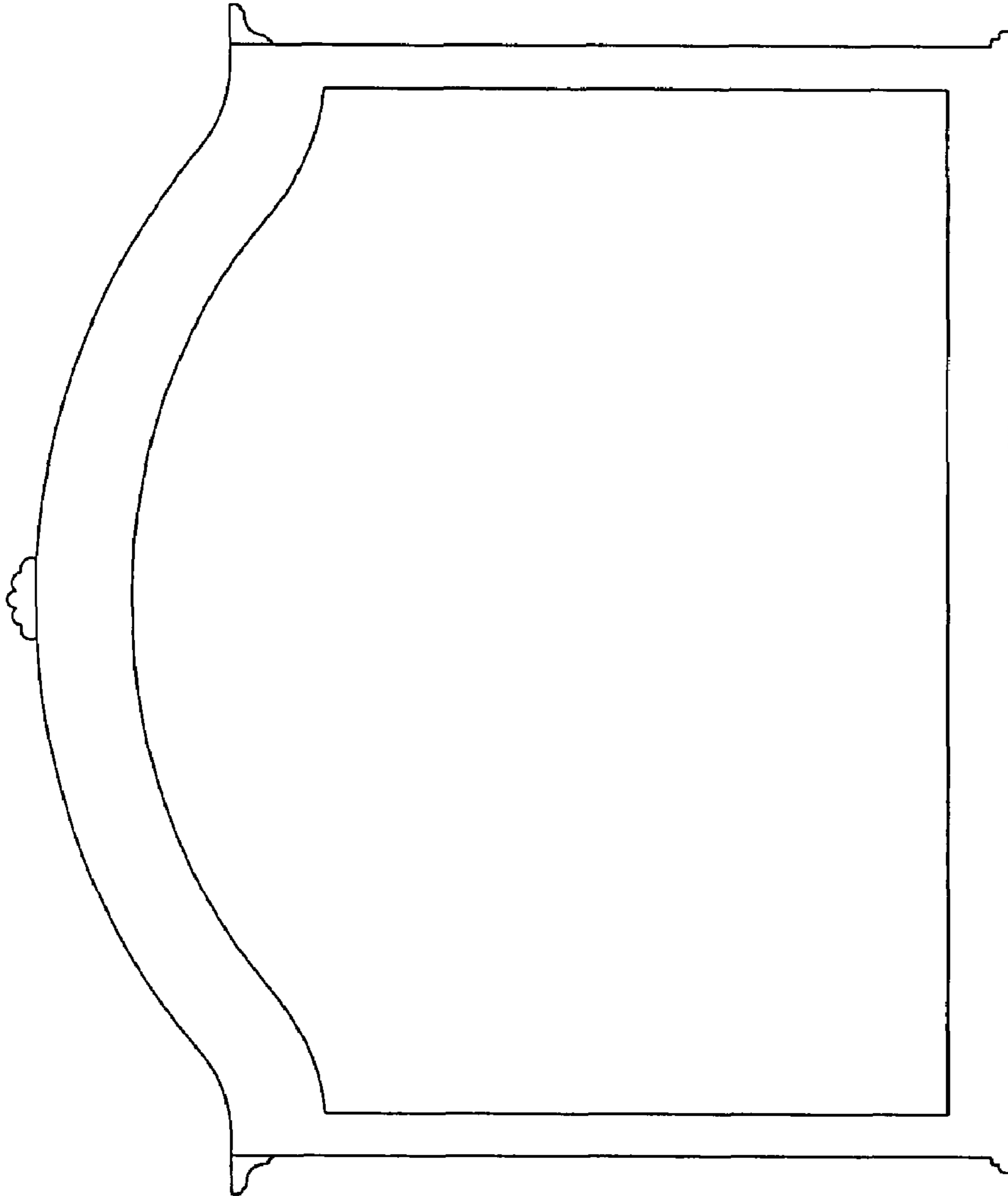


FIG.3



FIG. 4

FIG. 5



FIG. 6



FIG. 7