

US00D570603S

(12) **United States Design Patent**  
**Wu et al.**

(10) **Patent No.:** **US D570,603 S**  
(45) **Date of Patent:** **\*\* Jun. 10, 2008**

(54) **SHOULDER STRAP**

(75) Inventors: **Peter Chang-Lin Wu**, Piscataway, NJ  
(US); **Paul Victor Scicluna**, Penndel,  
PA (US)

(73) Assignee: **Tumi, Inc.**, South Plainfield, NJ (US)

(\*\*) Term: **14 Years**

(21) Appl. No.: **29/272,186**

(22) Filed: **Feb. 2, 2007**

(51) **LOC (8) Cl.** ..... **03-01**

(52) **U.S. Cl.** ..... **D3/327**

(58) **Field of Classification Search** ..... D3/327;  
224/601, 251, 257-258, 264, 578, 613, 617;  
150/108

See application file for complete search history.

(56) **References Cited**

**U.S. PATENT DOCUMENTS**

4,911,347	A *	3/1990	Wilhite	.....	224/257
4,978,044	A *	12/1990	Silver	.....	224/601
D325,470	S *	4/1992	Harms	.....	D3/327
D337,197	S *	7/1993	Krutsch et al.	.....	D3/327
5,544,795	A *	8/1996	Perrin	.....	224/254
5,615,811	A *	4/1997	Bell et al.	.....	224/150
D386,310	S *	11/1997	Smith	.....	D3/327

D479,554	S *	9/2003	Boron et al.	.....	D17/20
D489,182	S *	5/2004	Tilby et al.	.....	D3/327
D500,598	S *	1/2005	Ramos	.....	D3/327
6,910,227	B2 *	6/2005	Lee	.....	2/268
D532,201	S *	11/2006	Esch	.....	D3/327

\* cited by examiner

*Primary Examiner*—Holly H Baynham

(74) *Attorney, Agent, or Firm*—Charles E. Baxley

(57) **CLAIM**

I claim the ornamental design for a shoulder strap, as shown and described.

**DESCRIPTION**

FIG. 1 is a frontal, downward, rightward prospective view of the shoulder strap according to our design;

FIG. 2 is a front elevational view thereof;

FIG. 3 is a left elevational view thereof;

FIG. 4 is a rear elevational view thereof;

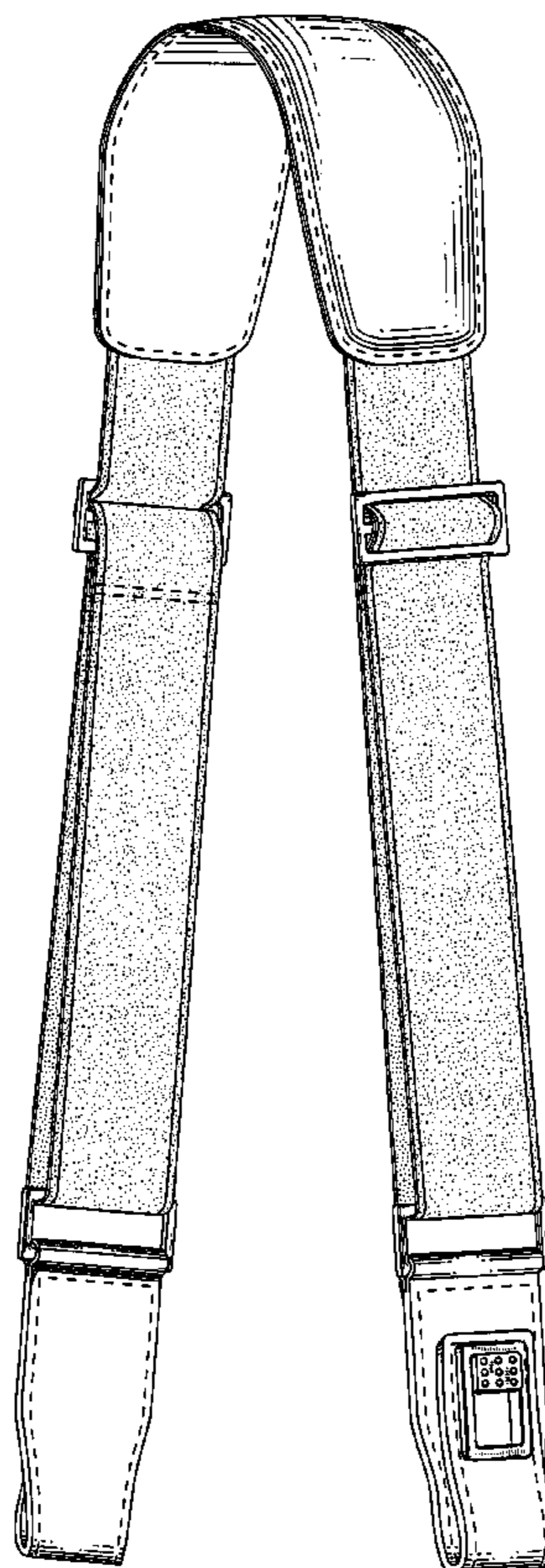
FIG. 5 is a right elevational view thereof;

FIG. 6 is top plan view thereof; and,

FIG. 7 is a bottom plan view thereof.

The broken lines shown in the drawings represents stitching.

**1 Claim, 5 Drawing Sheets**



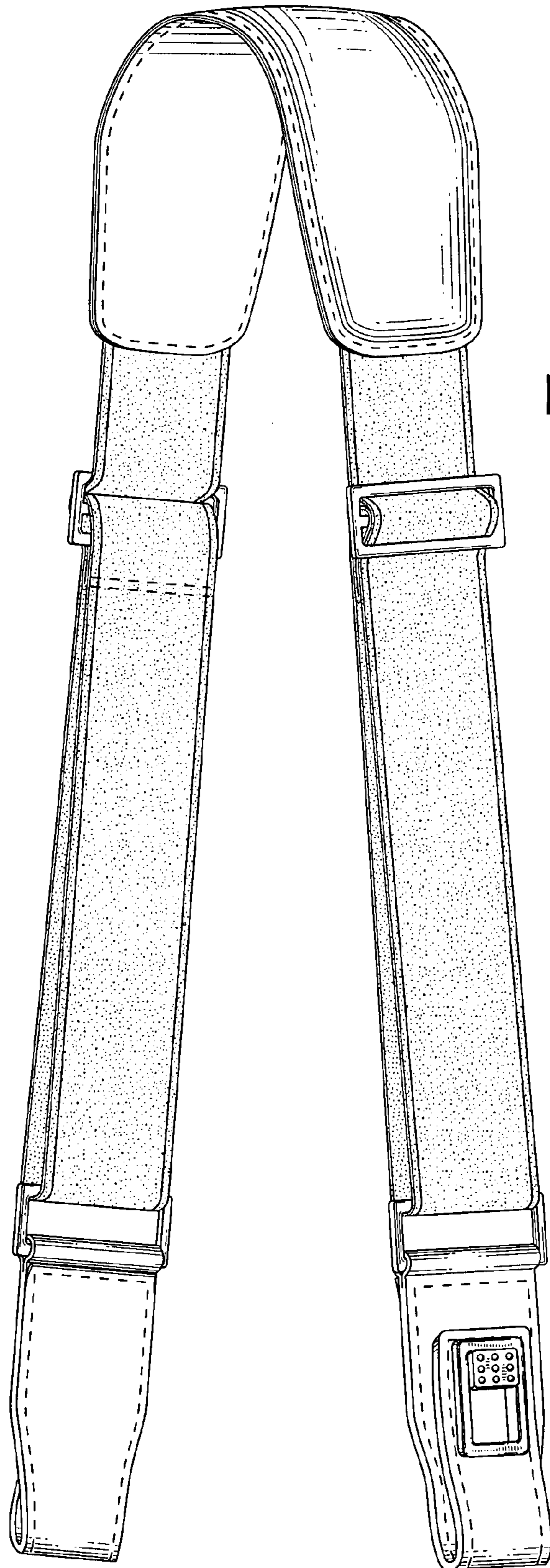


FIG. 1

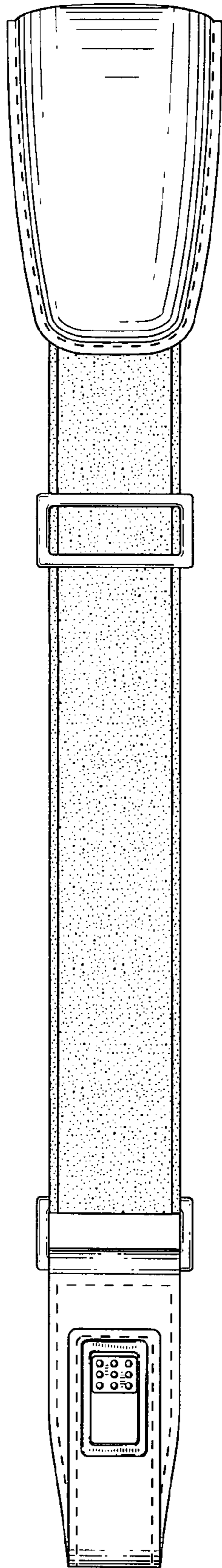


FIG. 2

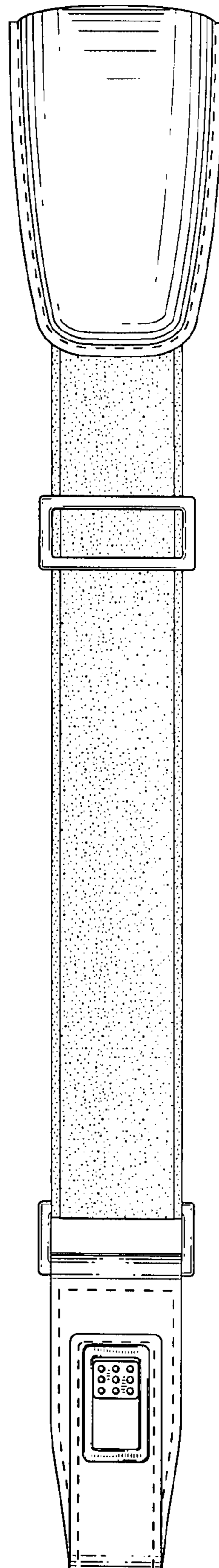


FIG. 4

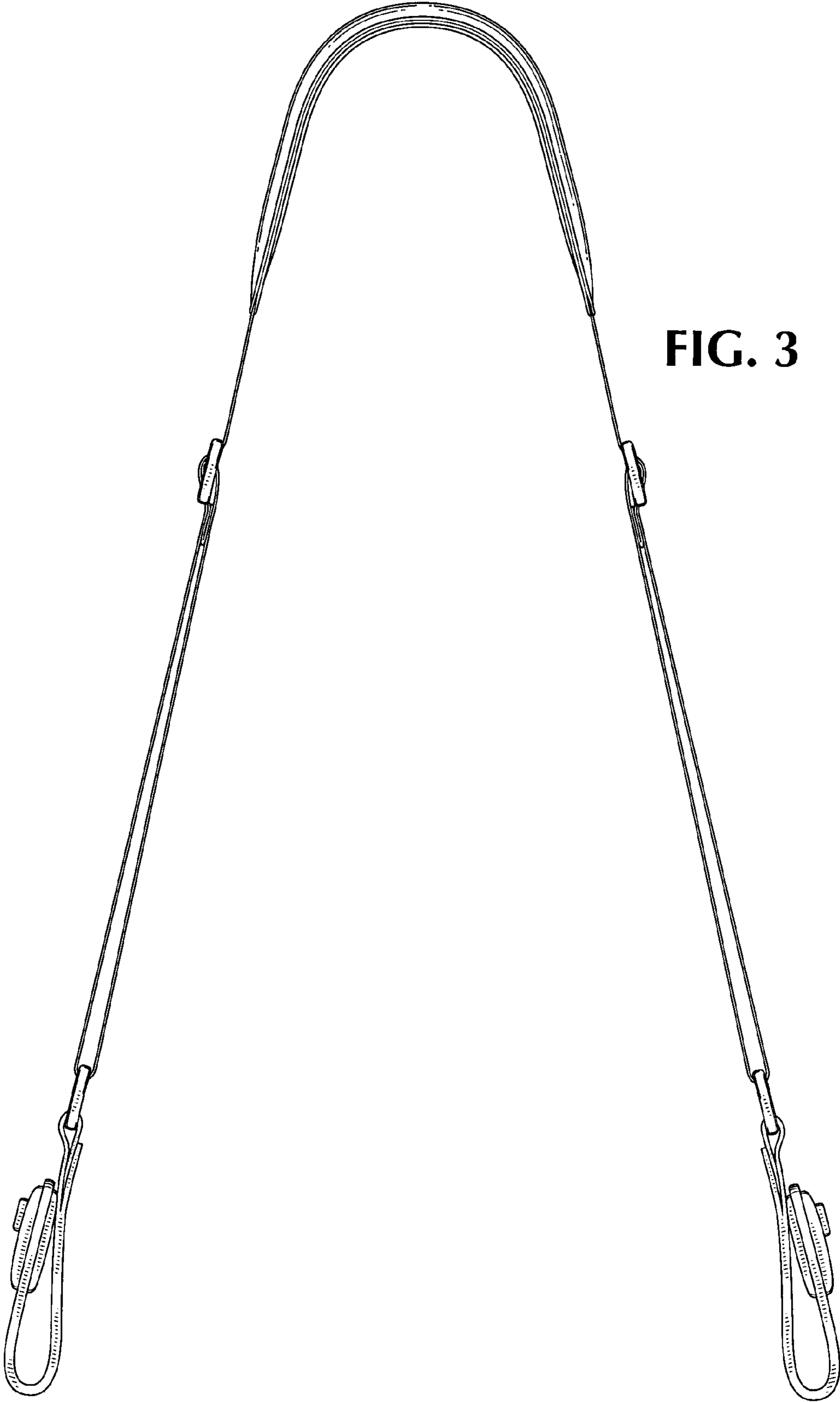
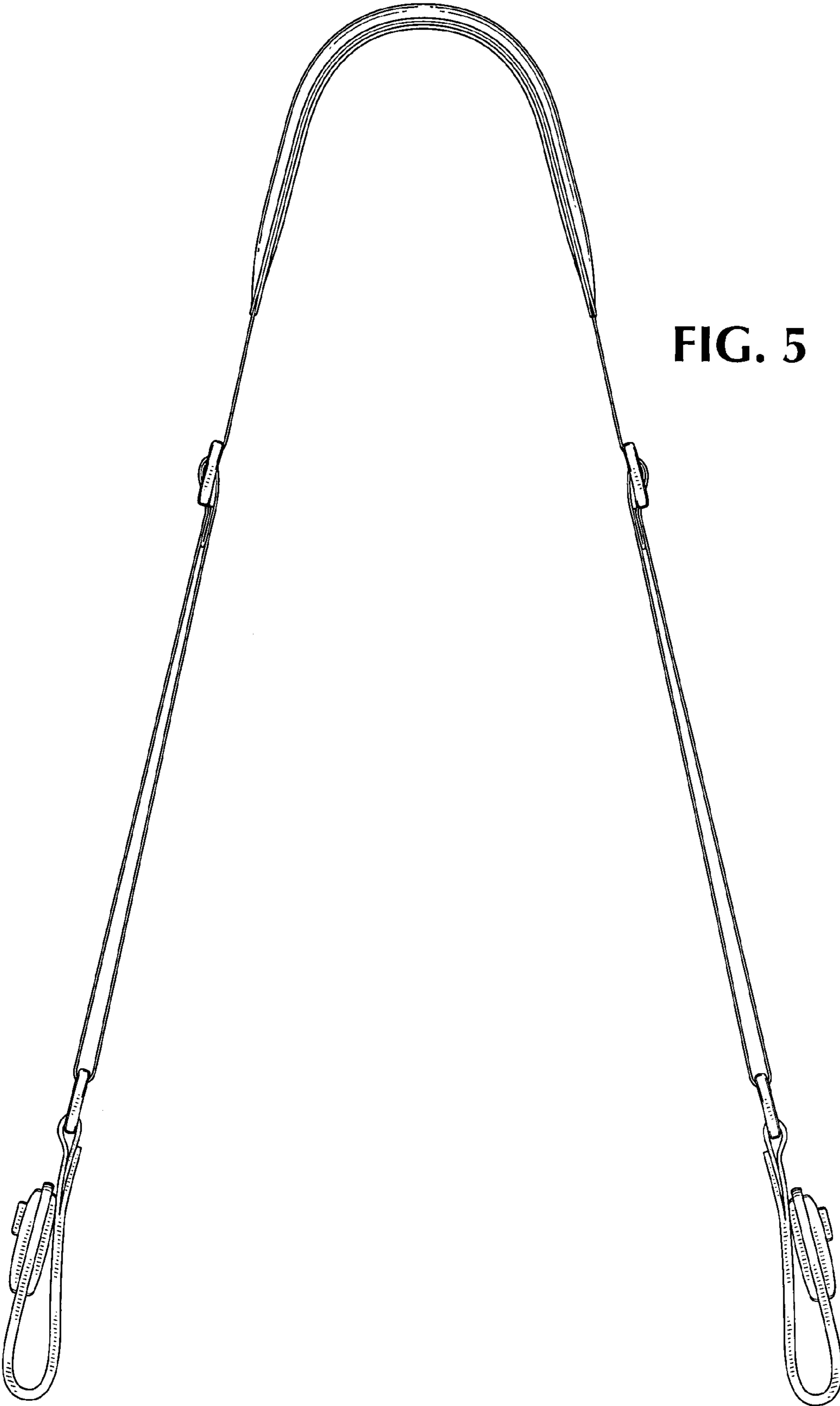
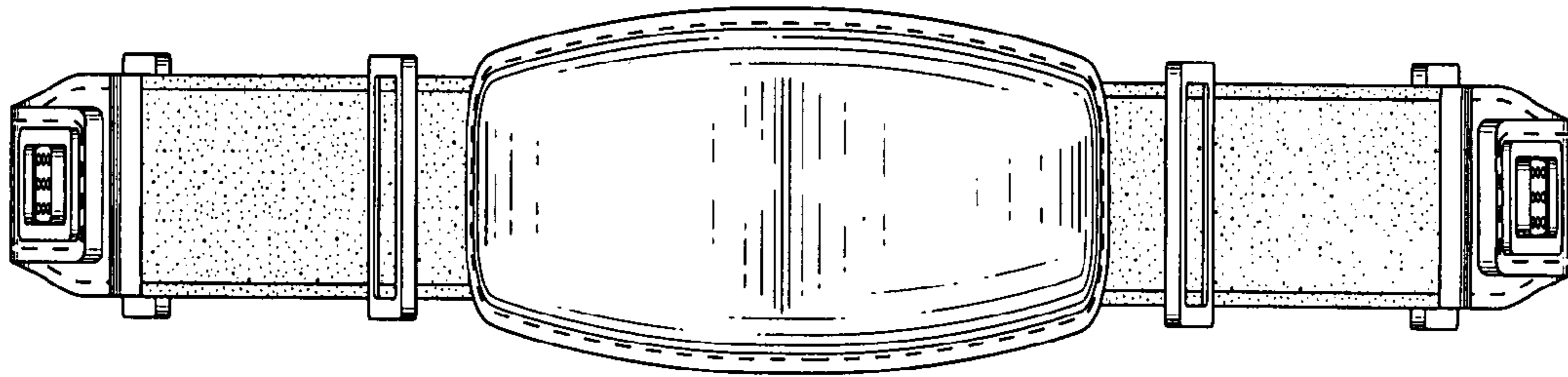
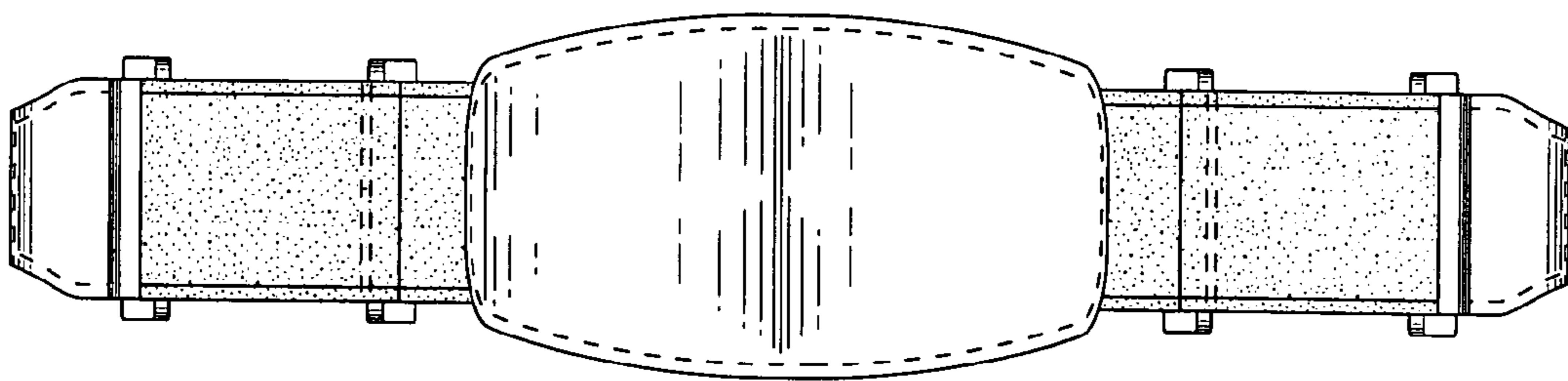


FIG. 3





**FIG. 6**



**FIG. 7**