



US00D570597S

(12) **United States Design Patent**  
**Klein**

(10) **Patent No.:** **US D570,597 S**  
(45) **Date of Patent:** **\*\* Jun. 10, 2008**

(54) **KEY RING ATTACHABLE ENCLOSURE FOR USB ADAPTER**

(76) Inventor: **André Klein**, Berger Strasse 102,  
Frankfurt/Main (DE) 60316

(\*\*) Term: **14 Years**

(21) Appl. No.: **29/250,693**

(22) Filed: **Nov. 28, 2006**

(51) **LOC (8) Cl.** ..... **03-01**

(52) **U.S. Cl.** ..... **D3/207**

(58) **Field of Classification Search** ..... D3/207-212;  
206/37.1, 38.1; 150/147; 70/456 R, 456 B,  
70/458-459; 24/3 K, 3.6, 100; D11/44,  
D11/48

See application file for complete search history.

(56) **References Cited**

U.S. PATENT DOCUMENTS

D212,168 S \* 9/1968 Pennett ..... D3/210  
3,421,349 A \* 1/1969 Clair, Jr. .... 70/414

(Continued)

*Primary Examiner*—R. Seifert

(74) *Attorney, Agent, or Firm*—Jones Day

(57) **CLAIM**

The ornamental design for a key ring attachable enclosure for USB adapter, as shown and described.

**DESCRIPTION**

FIG. 1 is a perspective view of a first embodiment of a key ring attachable enclosure for USB adapter embodying the ornamental design of the present invention;

FIG. 2 is another perspective view thereof, illustrating how the USB adapter can be inserted into the enclosure;

FIG. 3 is a top view thereof;

FIG. 4 is a front view thereof, the rear view being a mirror image;

FIG. 5 is a bottom view thereof;

FIG. 6 is a perspective view thereof, shown with reference to a hand;

FIG. 7 is a perspective view of a key ring attachable enclosure for USB adapter showing the second embodiment of my new design;

FIG. 8 is a perspective view of FIG. 7 with the environmental matter altered;

FIG. 9 is a perspective view of FIG. 7 with the environmental matter altered;

FIG. 10 is a perspective view of FIG. 7 with the environmental matter altered;

FIG. 11 is a perspective view of a key ring attachable enclosure for USB adapter showing the third embodiment of my new design;

FIG. 12 is a perspective view of FIG. 11 with the environmental matter altered;

FIG. 13 is a perspective view of FIG. 11 with the environmental matter altered;

FIG. 14 is a perspective view of FIG. 11 with the environmental matter altered;

FIG. 15 is a perspective view of a key ring attachable enclosure for USB adapter showing the fourth embodiment of my new design;

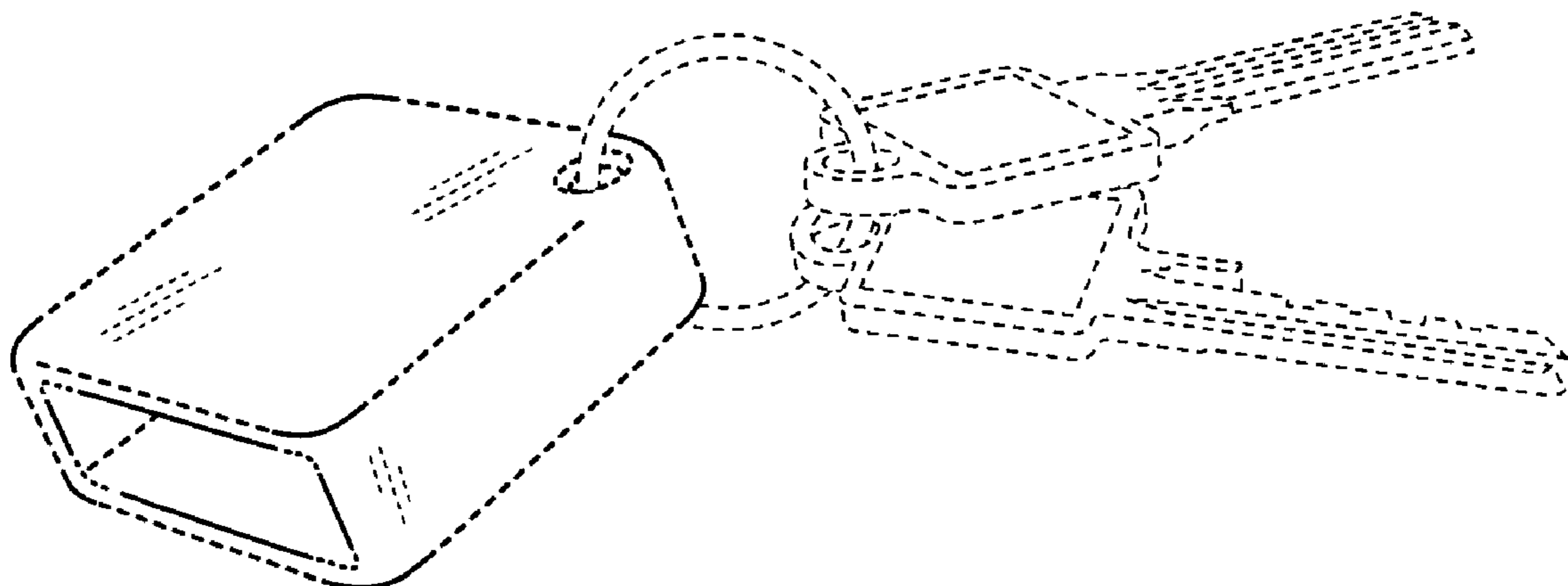
FIG. 16 is a perspective view of FIG. 15 with the environmental matter altered;

FIG. 17 is a perspective view of FIG. 15 with the environmental matter altered; and,

FIG. 18 is a perspective view of FIG. 15 with the environmental matter altered.

The broken lines in the figures are for illustrative purposes only and form no part of the claimed design.

**1 Claim, 6 Drawing Sheets**



# US D570,597 S

Page 2

---

## U.S. PATENT DOCUMENTS

3,605,464	A *	9/1971	Ostrager	70/414	D338,998	S *	9/1993	MacDonald	D3/207
3,979,934	A *	9/1976	Isenmann	70/459	5,388,691	A *	2/1995	White	206/305
4,281,527	A *	8/1981	Leopoldi et al.	70/456 R	D393,148	S *	4/1998	Petruzzi	D3/208
D292,288	S *	10/1987	Schwartz	D14/218	D401,132	S *	11/1998	Teetor et al.	D8/98
4,789,573	A *	12/1988	Jenkinson	428/28	6,672,118	B1 *	1/2004	Wright	70/459

\* cited by examiner

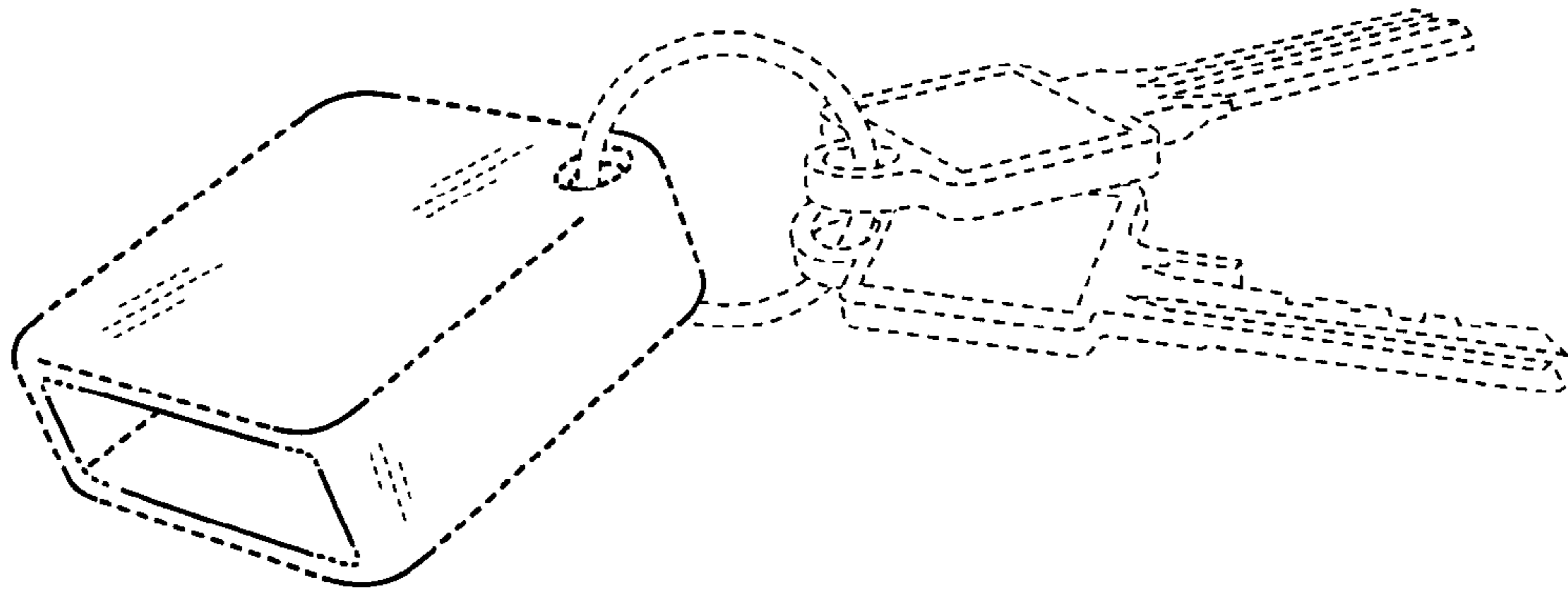


FIG. 1

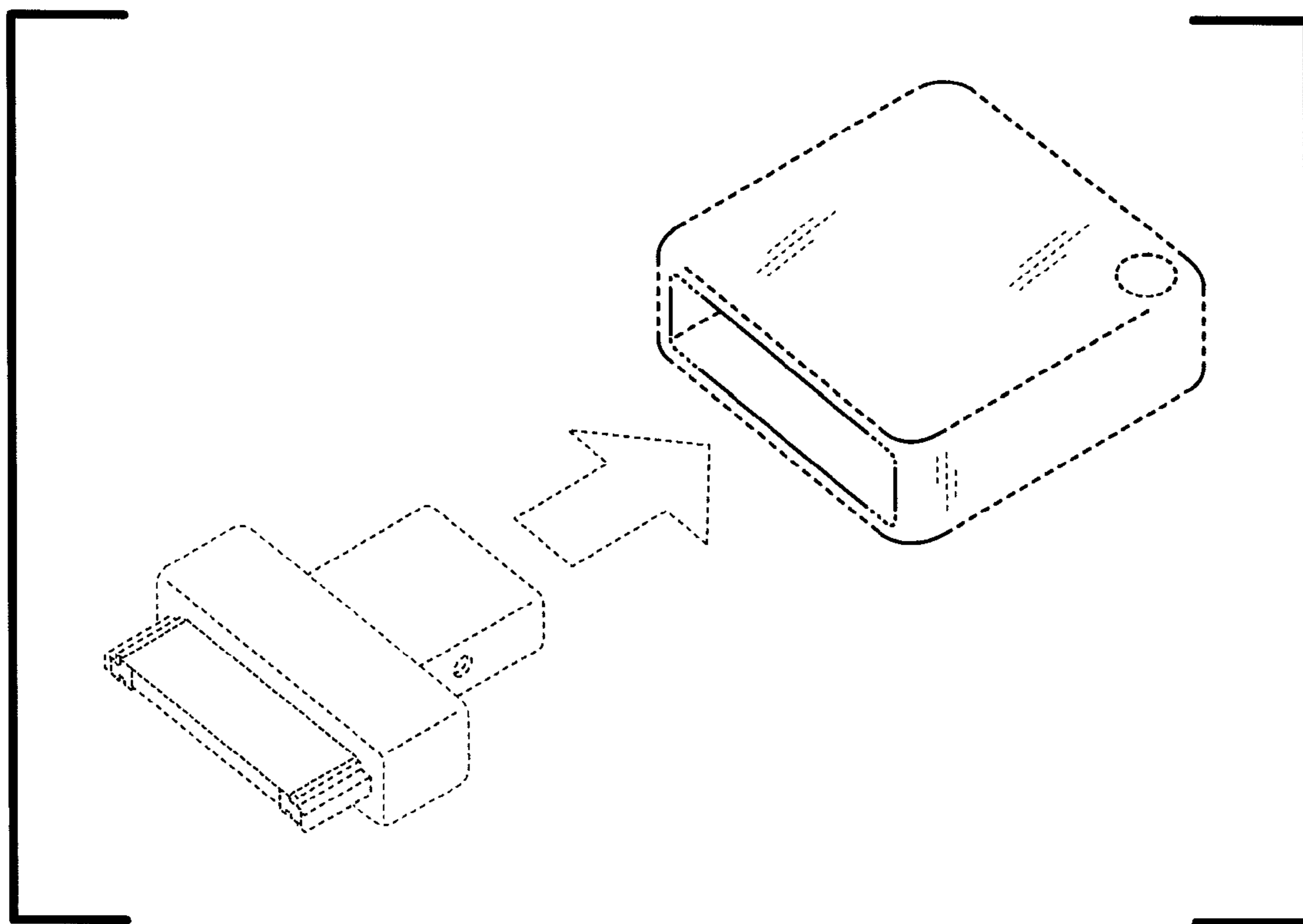
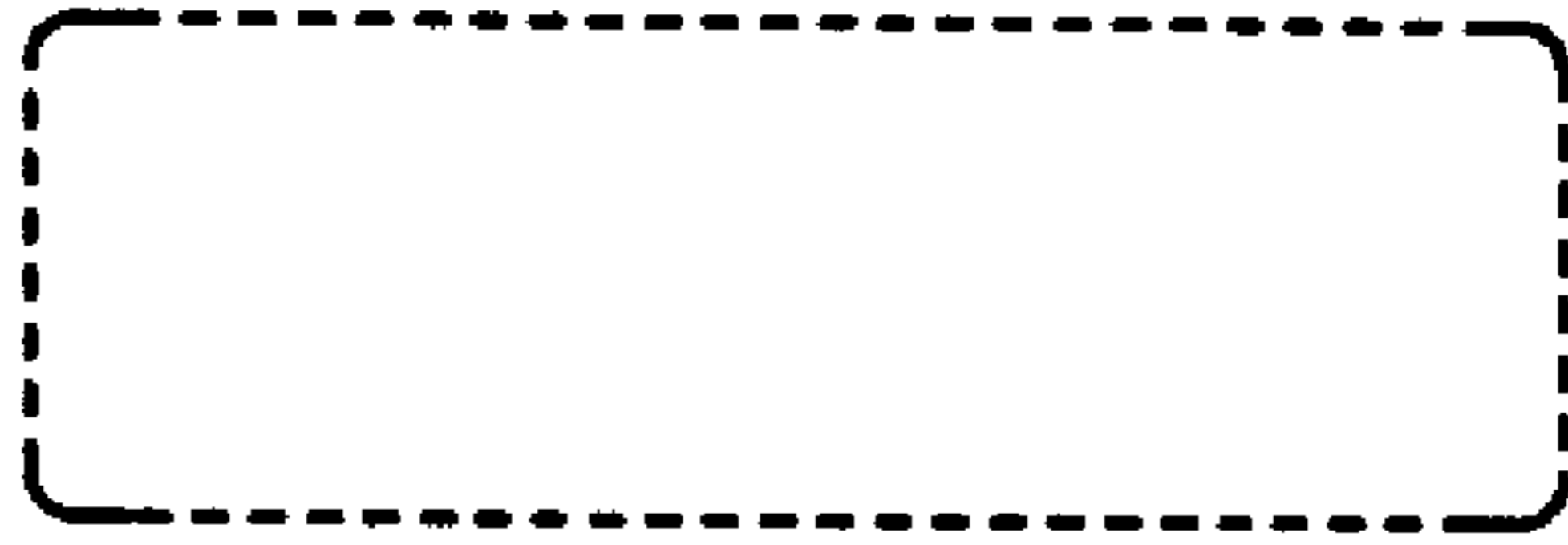
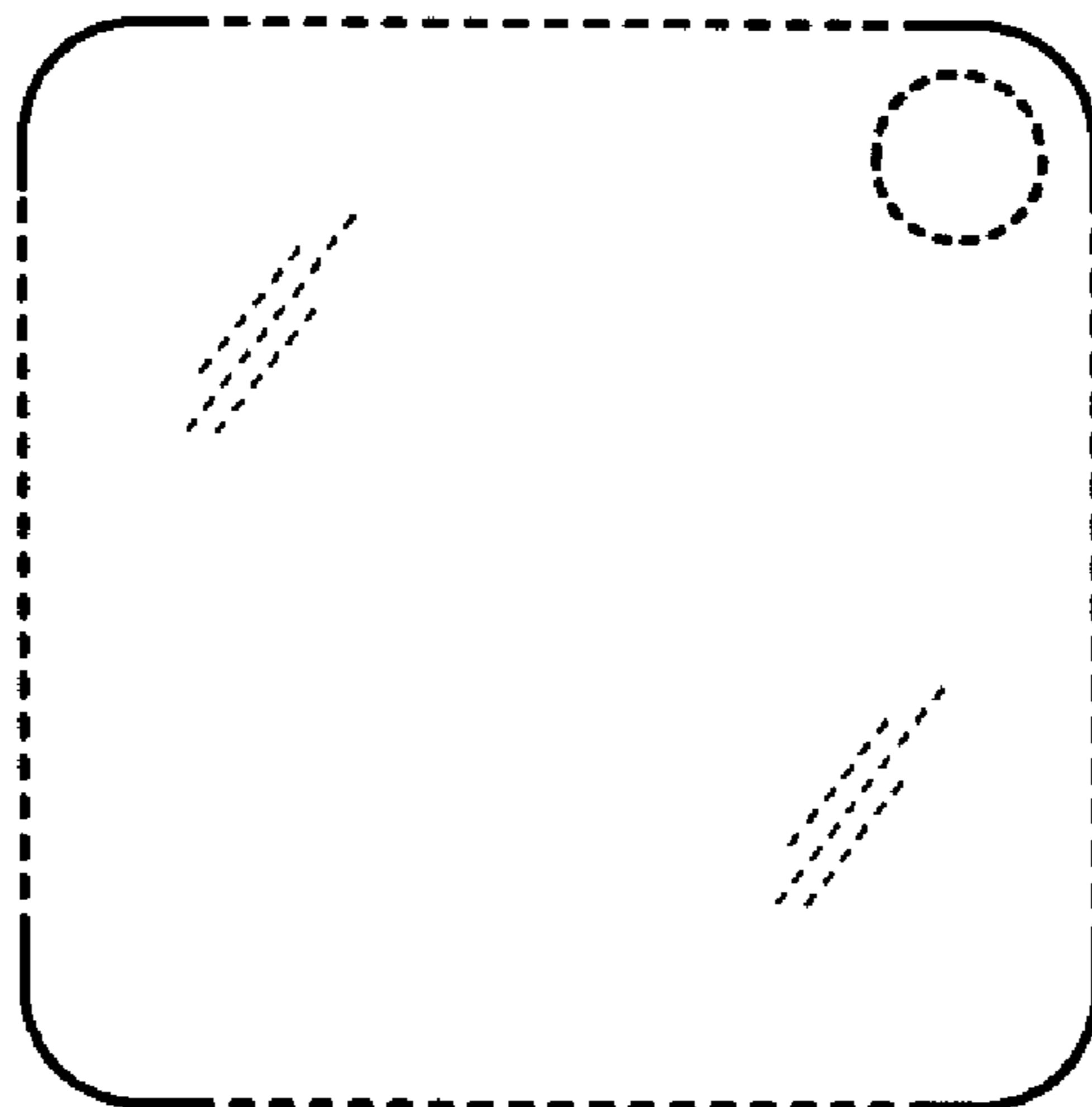


FIG. 2



**FIG. 3**



**FIG. 4**



**FIG. 5**

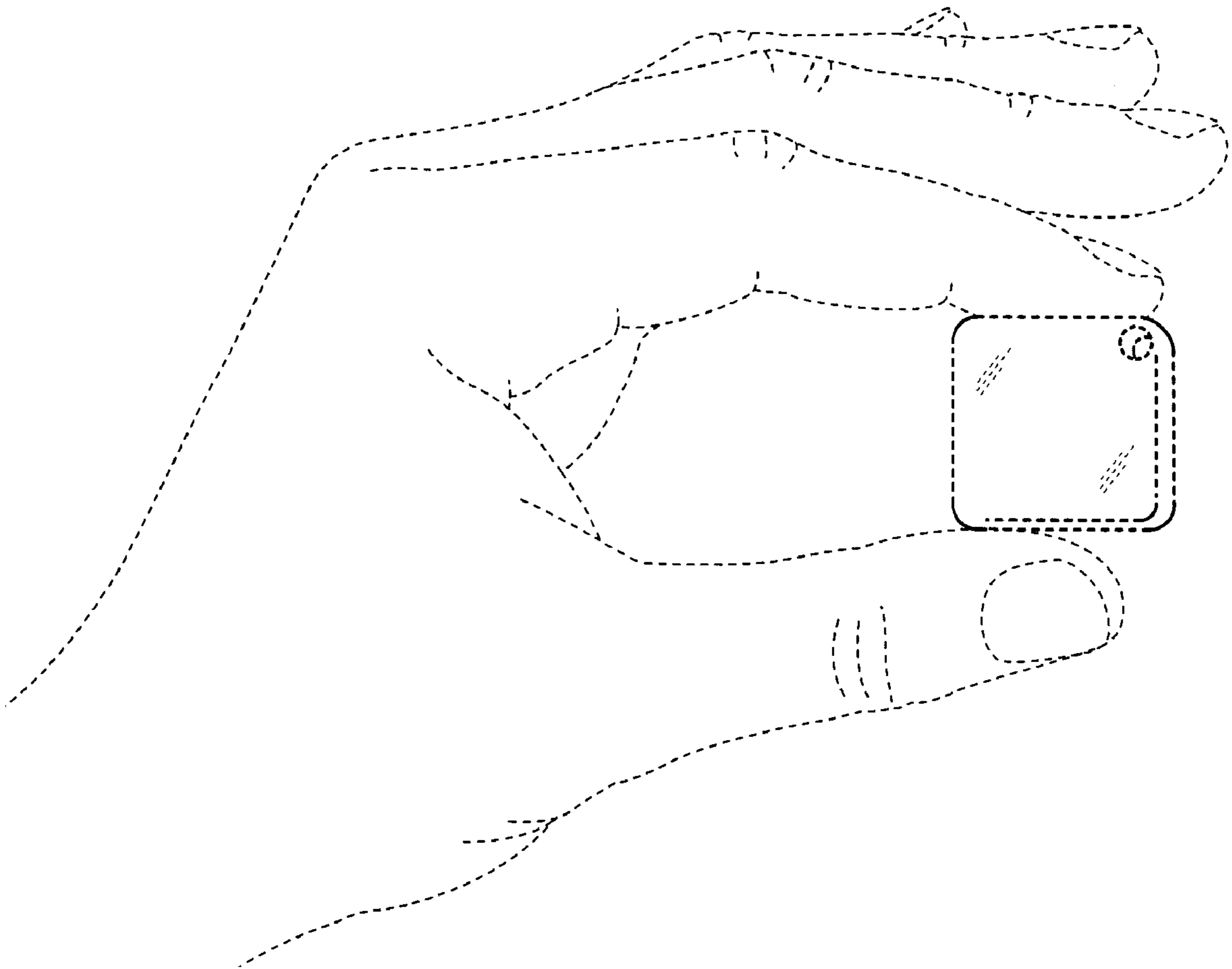


FIG. 6

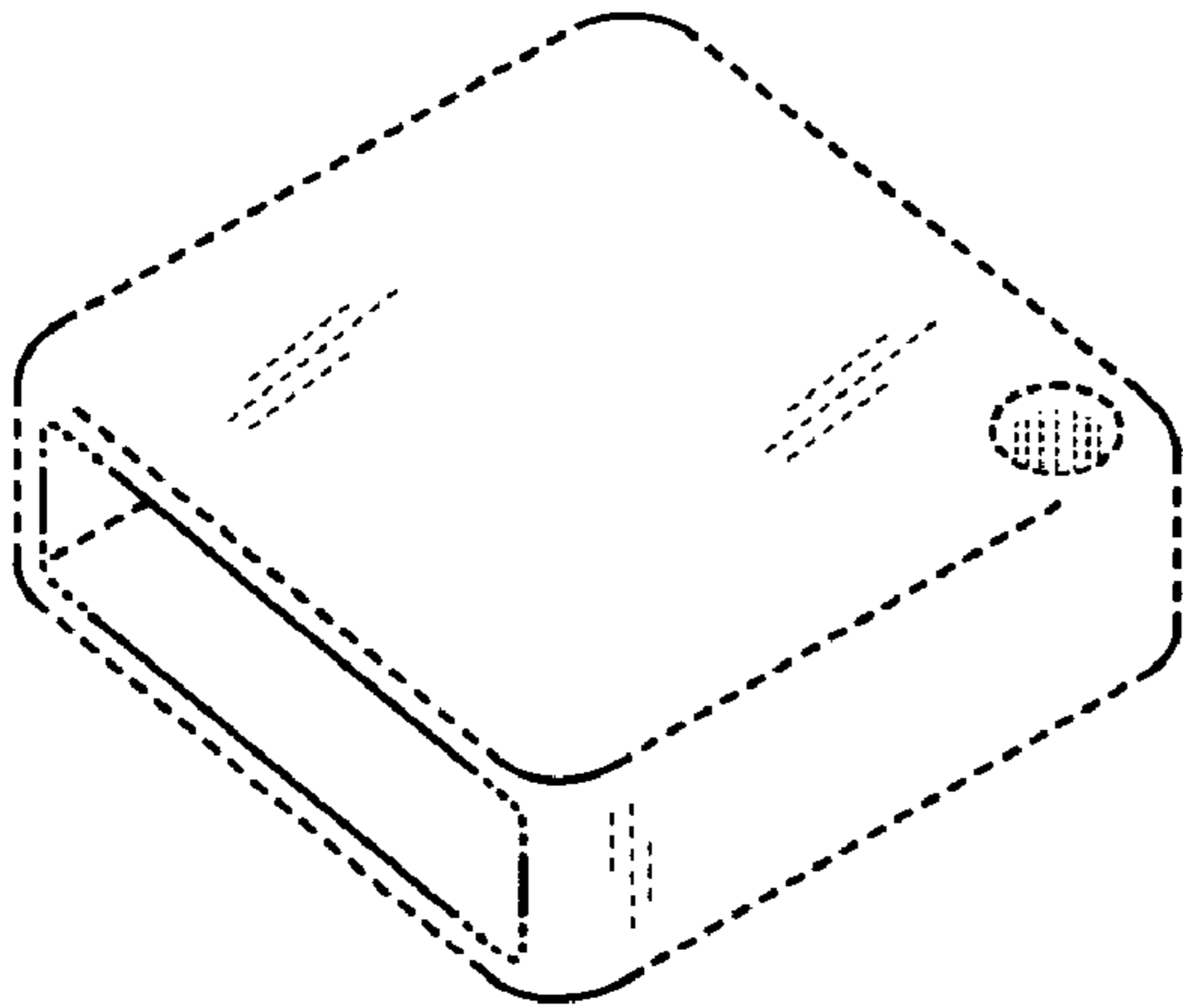


FIG. 7

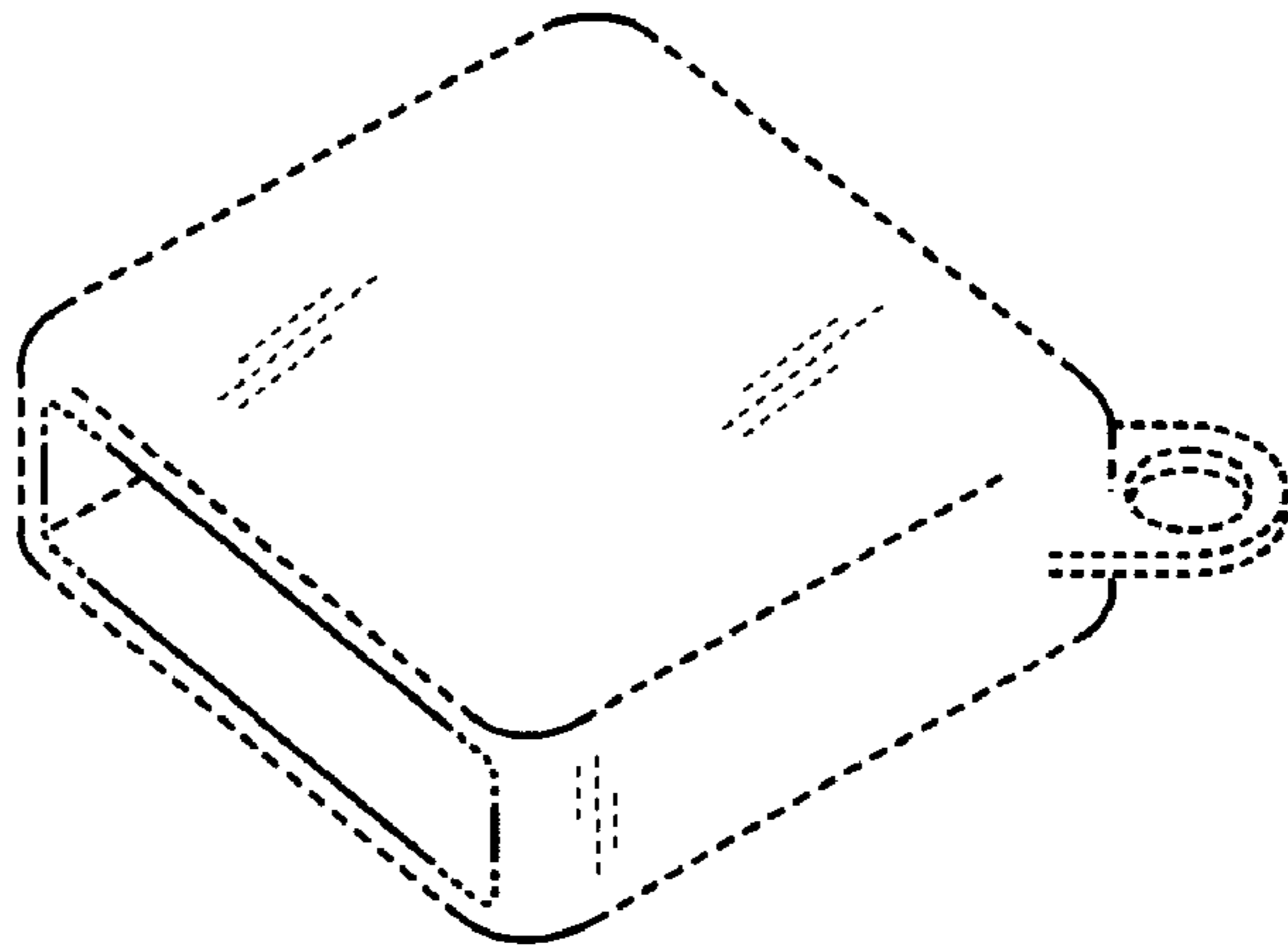


FIG. 8

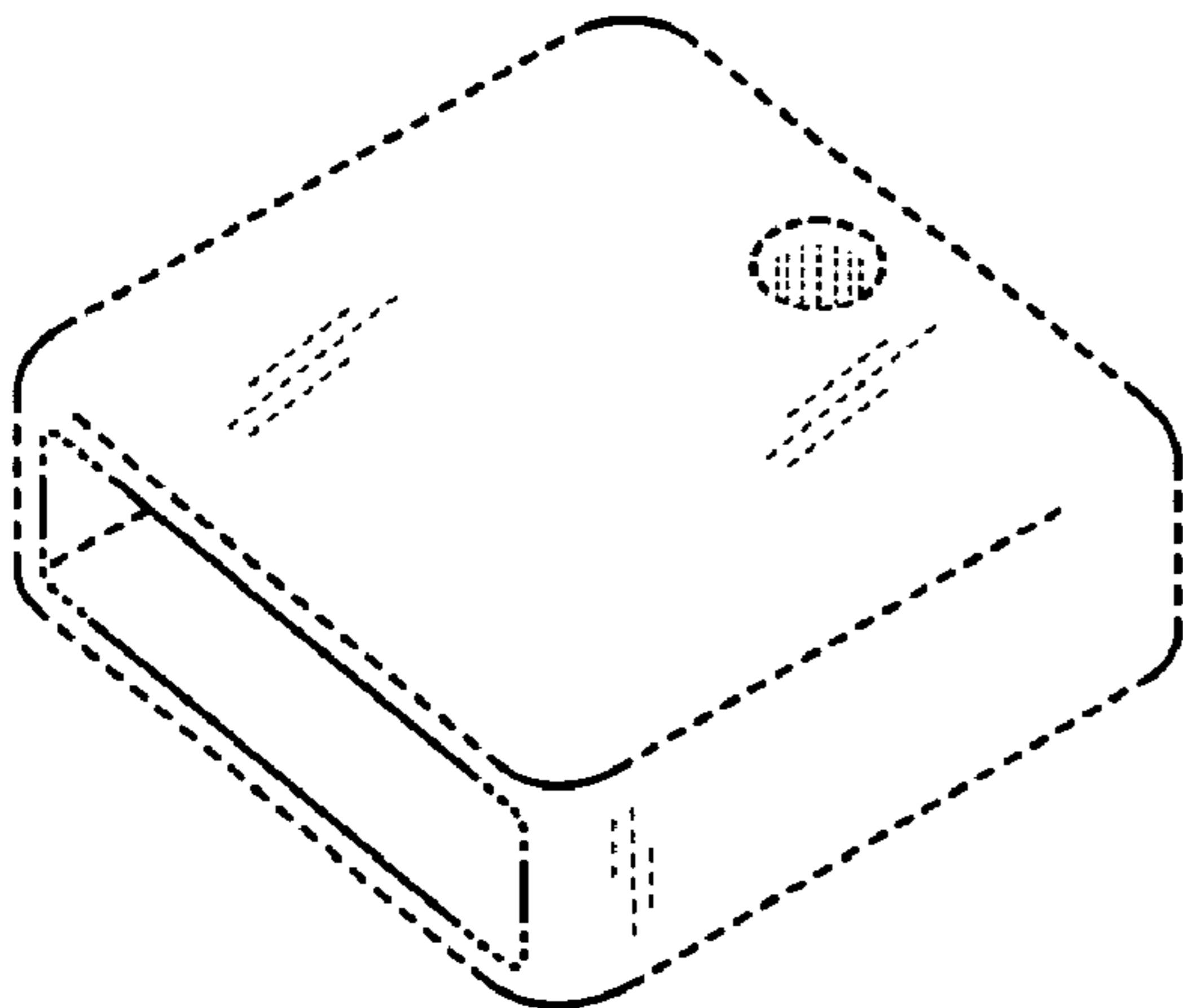


FIG. 9

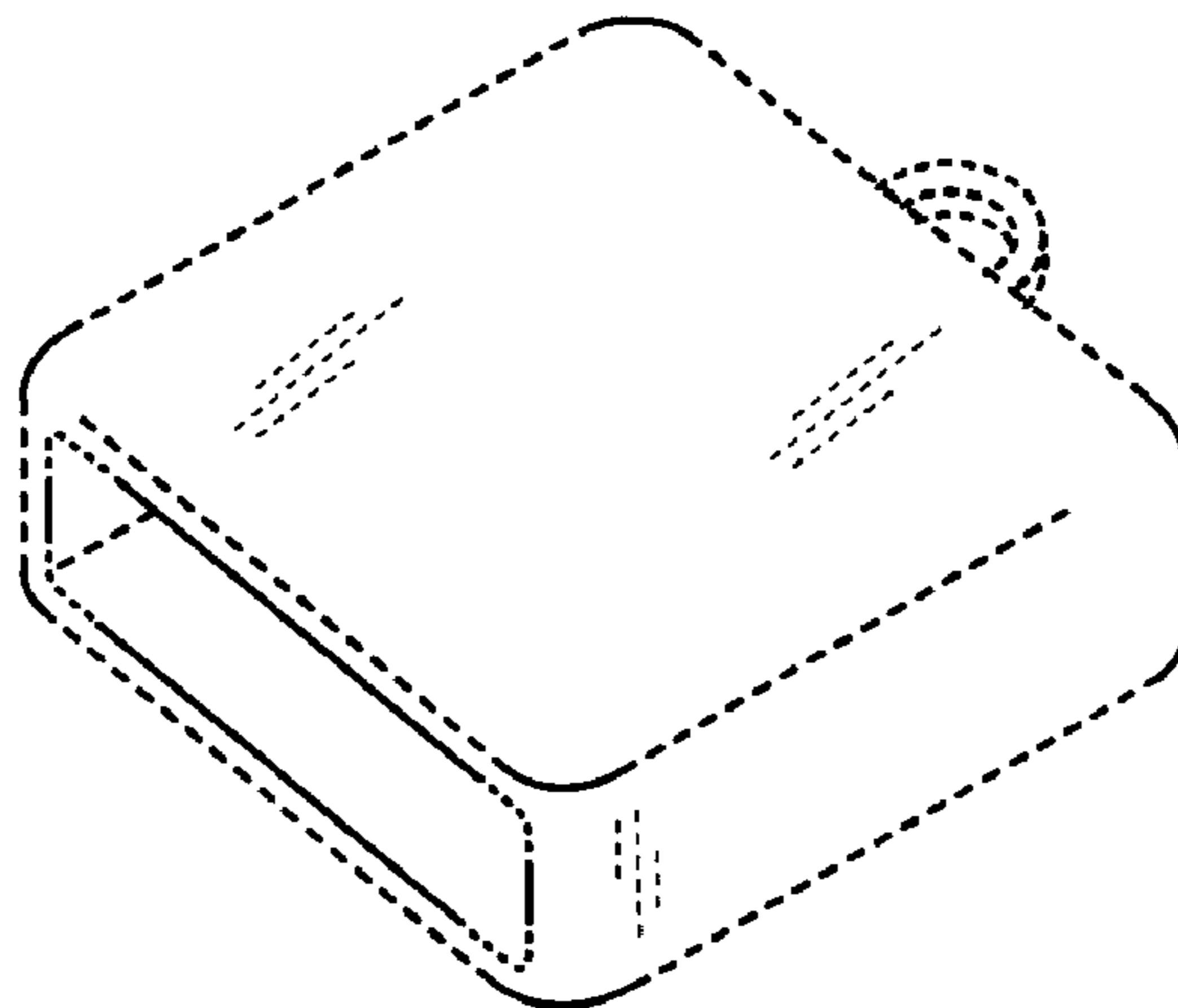


FIG. 10

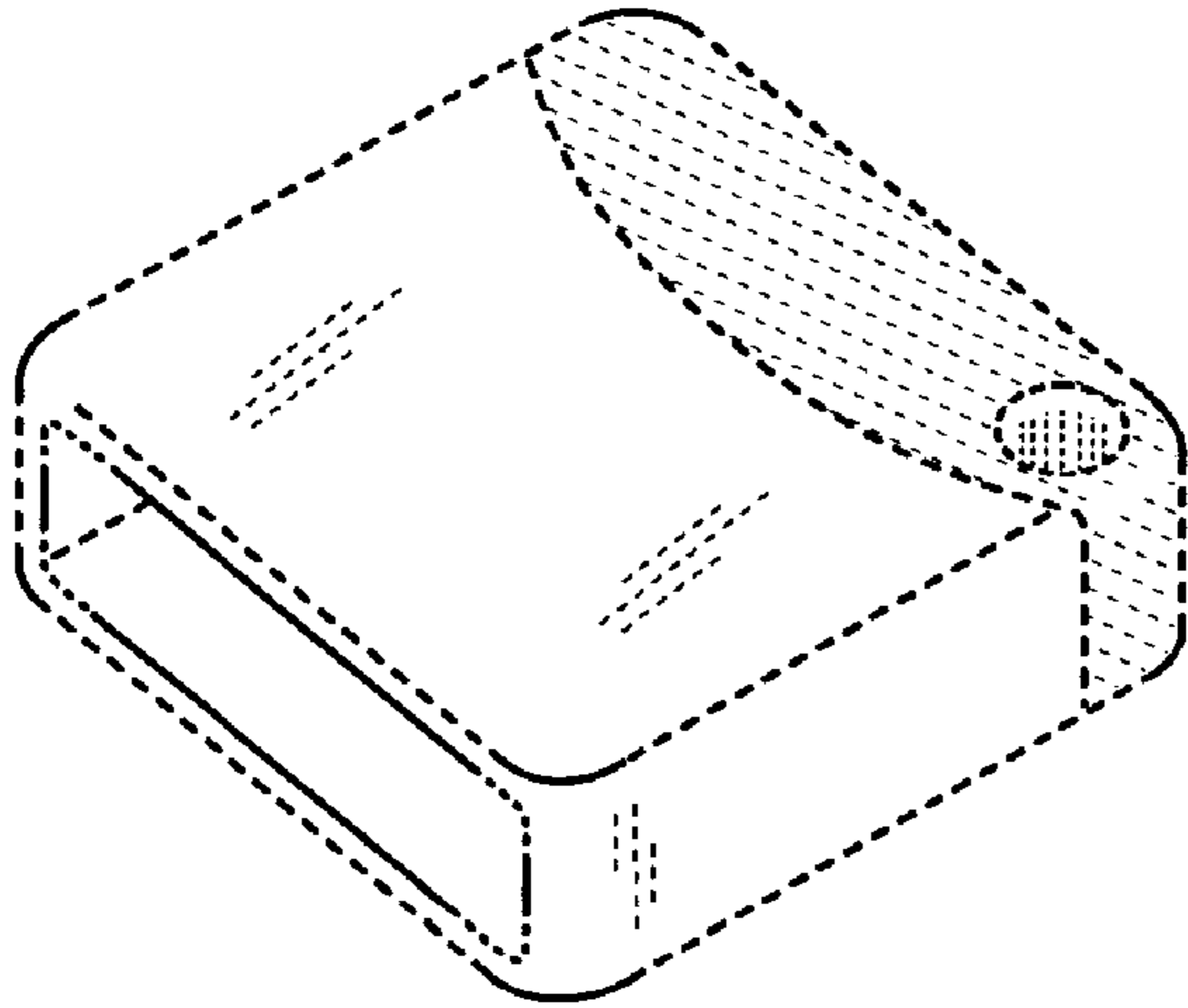


FIG. 11

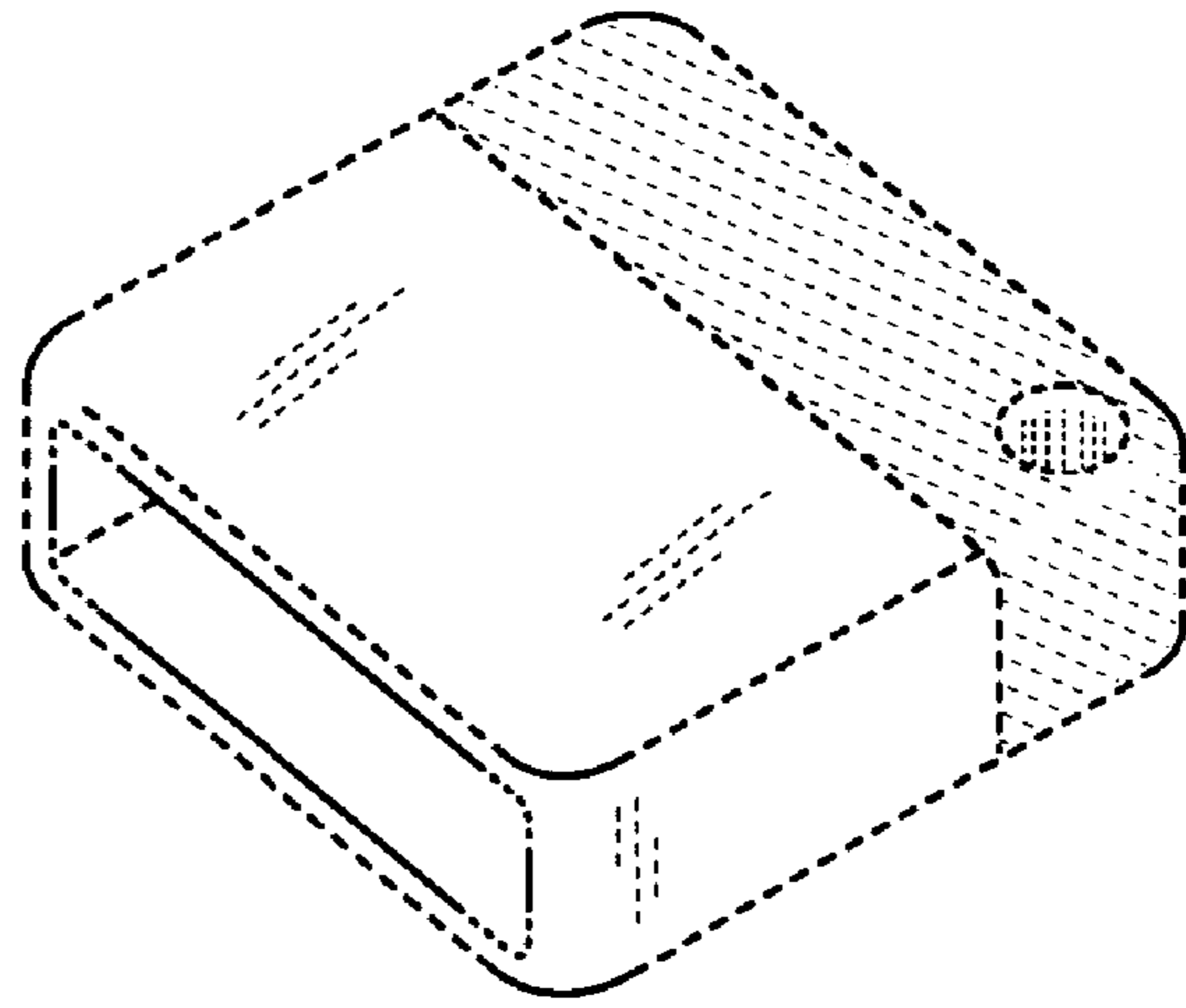


FIG. 12

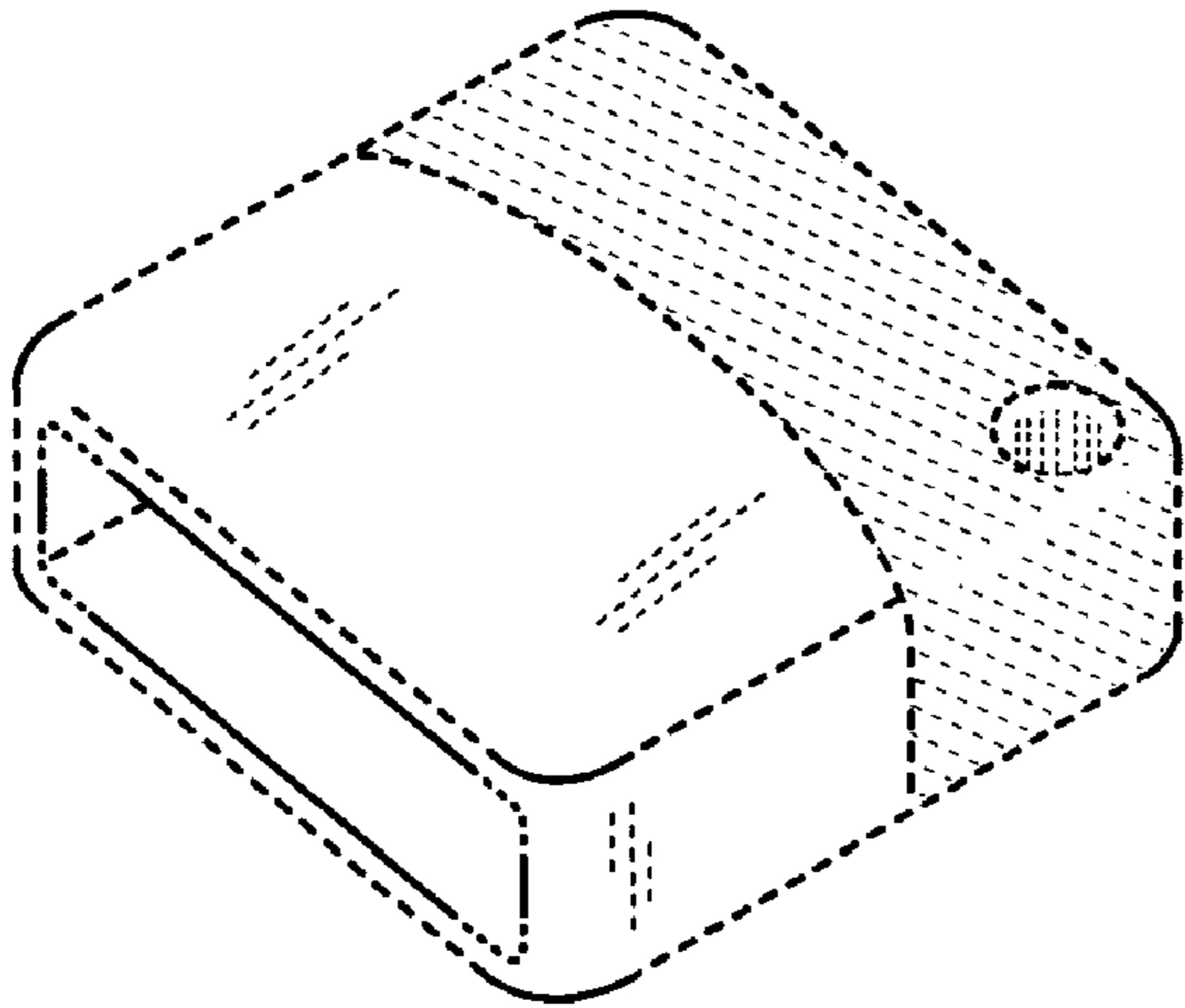


FIG. 13

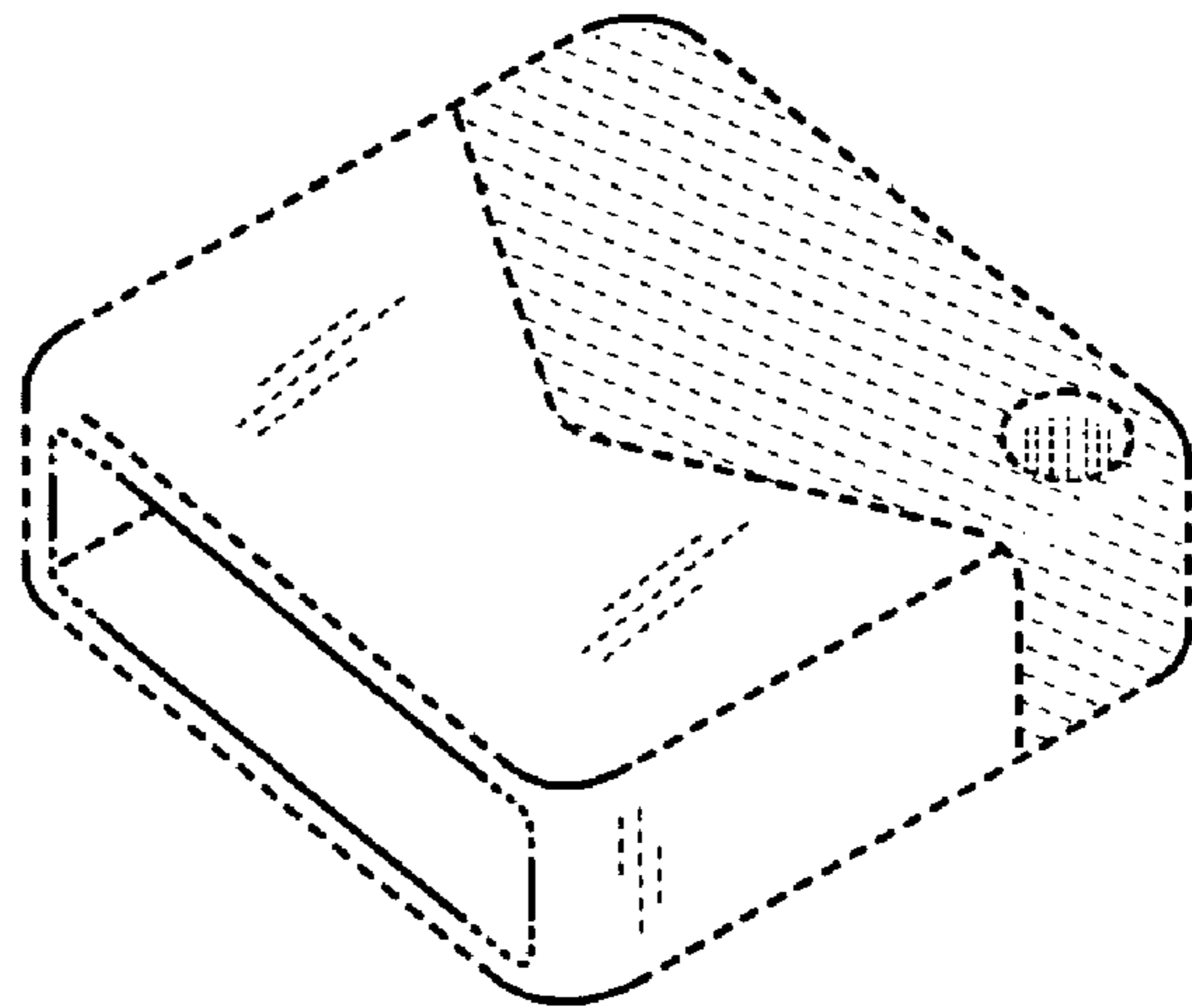


FIG. 14

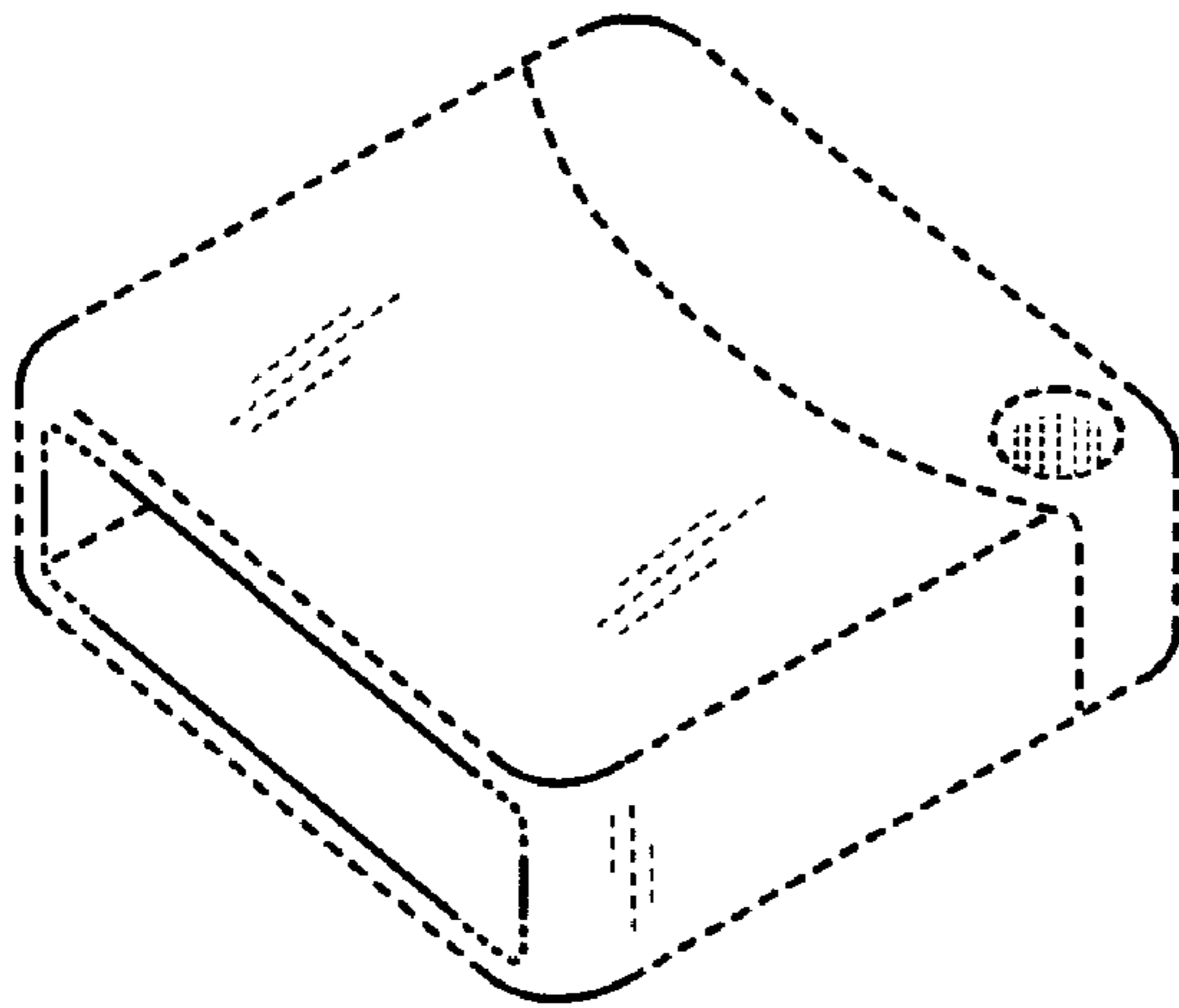


FIG. 15

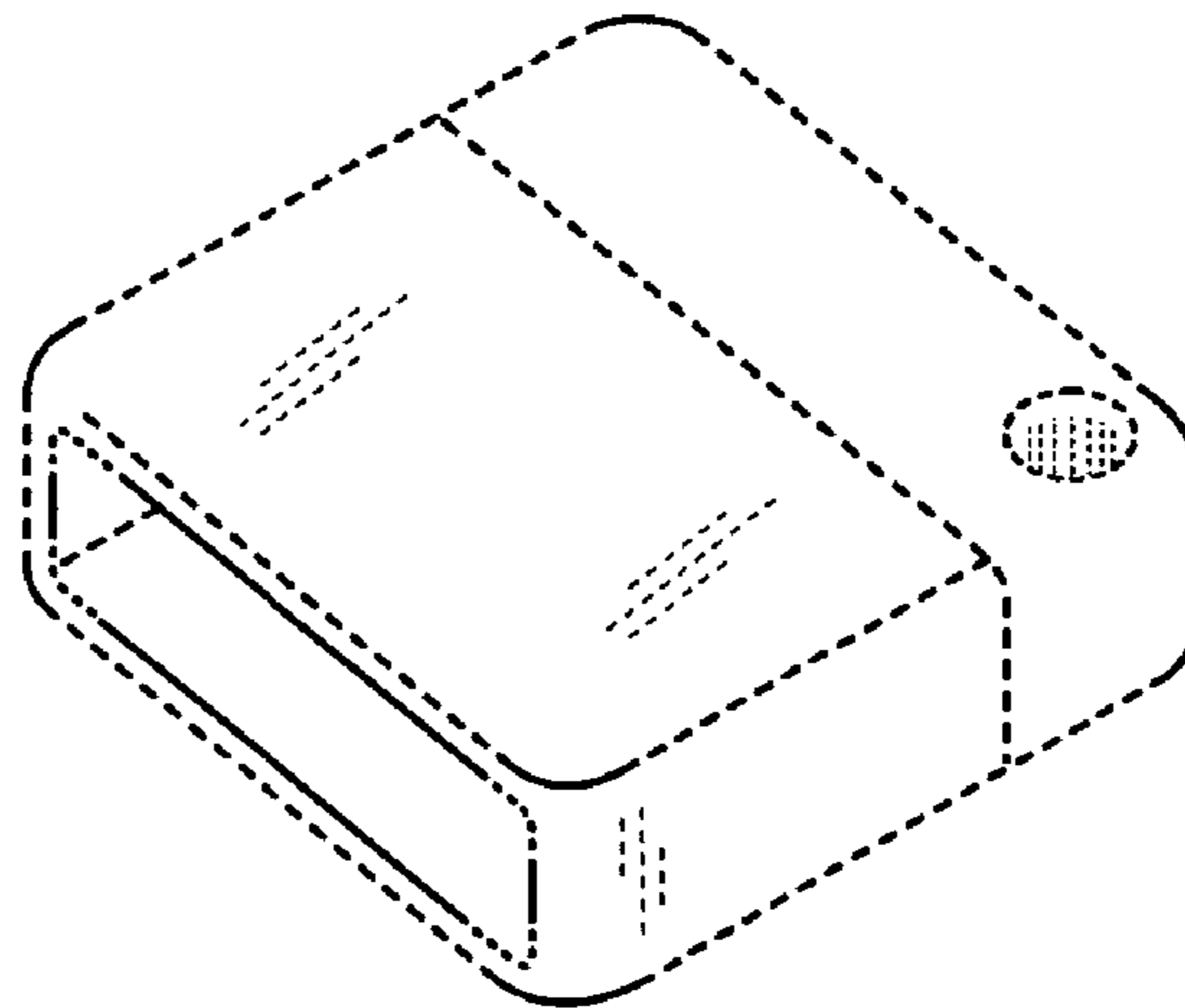


FIG. 16

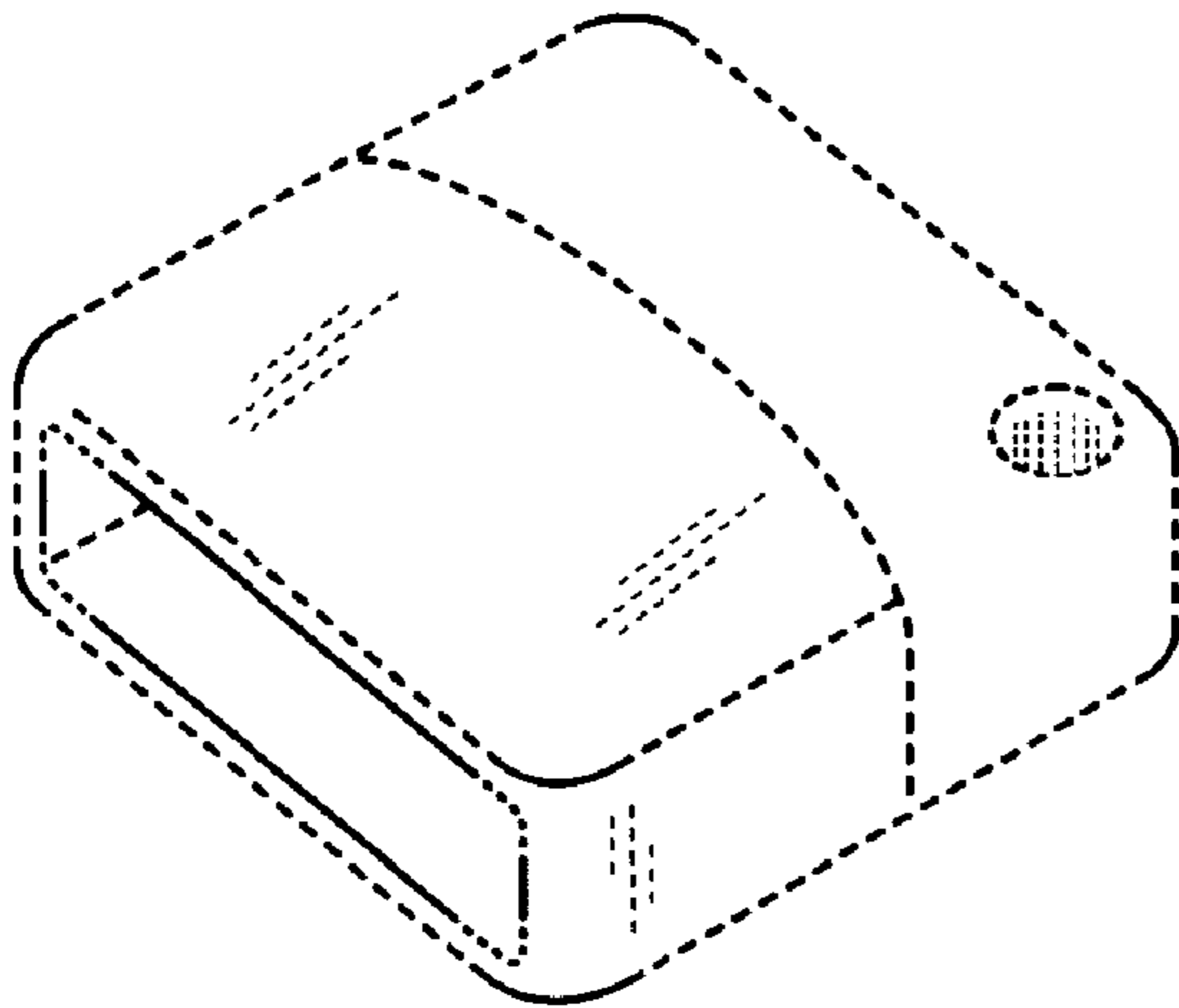


FIG. 17

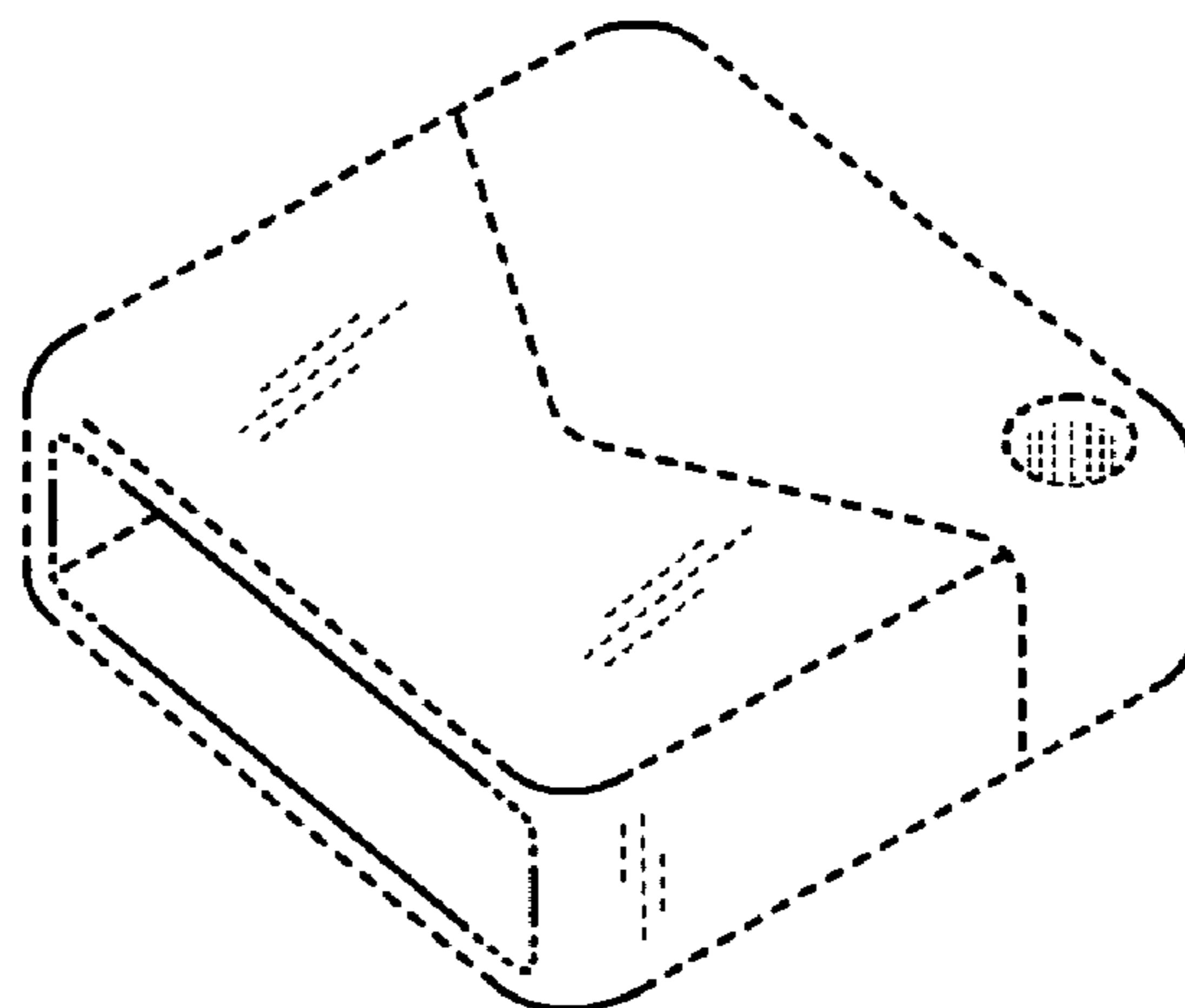


FIG. 18